

[54] ANGLE-CUT HOLDER

4,281,827 8/1981 Horwath ..... 83/581 X

[76] Inventor: Michael Baptiste, 1795 Cranston St., Cranston, R.I. 02920

Primary Examiner—Susan J. Lucas  
Assistant Examiner—Clare E. Heflin  
Attorney, Agent, or Firm—Salter & Michaelson

[\*\*] Term: 14 Years

[57] CLAIM

[21] Appl. No.: 404,434

The ornamental design for an angle-cut holder, substantially as shown.

[22] Filed: Aug. 2, 1982

[52] U.S. Cl. .... D8/71; D8/72

[58] Field of Search ..... D8/71-74,  
D8/354, 356, 359, 366, 394, 396; 269/95, 181,  
240, 246, 247-253, 102, 266, 295; 83/581

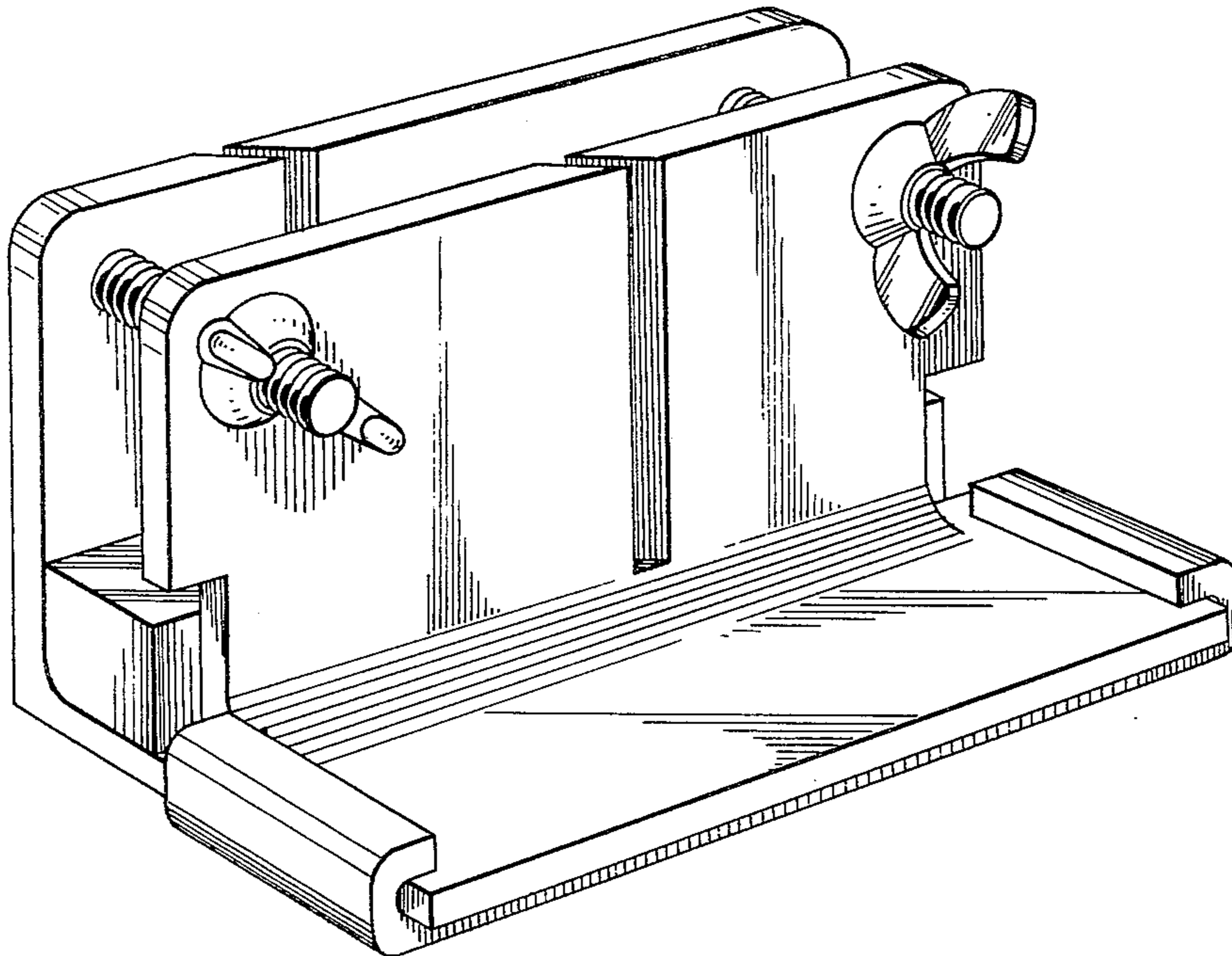
DESCRIPTION

[56] References Cited

U.S. PATENT DOCUMENTS

4,109,900 8/1978 Vandecoevering ..... 269/249 X

FIG. 1 is a perspective view of an angle-cut holder showing my new design;  
FIG. 2 is a rear elevational view thereof;  
FIG. 3 is a side elevational view thereof;  
FIG. 4 is a front elevational view thereof;  
FIG. 5 is a top plan view thereof; and  
FIG. 6 is a bottom plan view thereof.



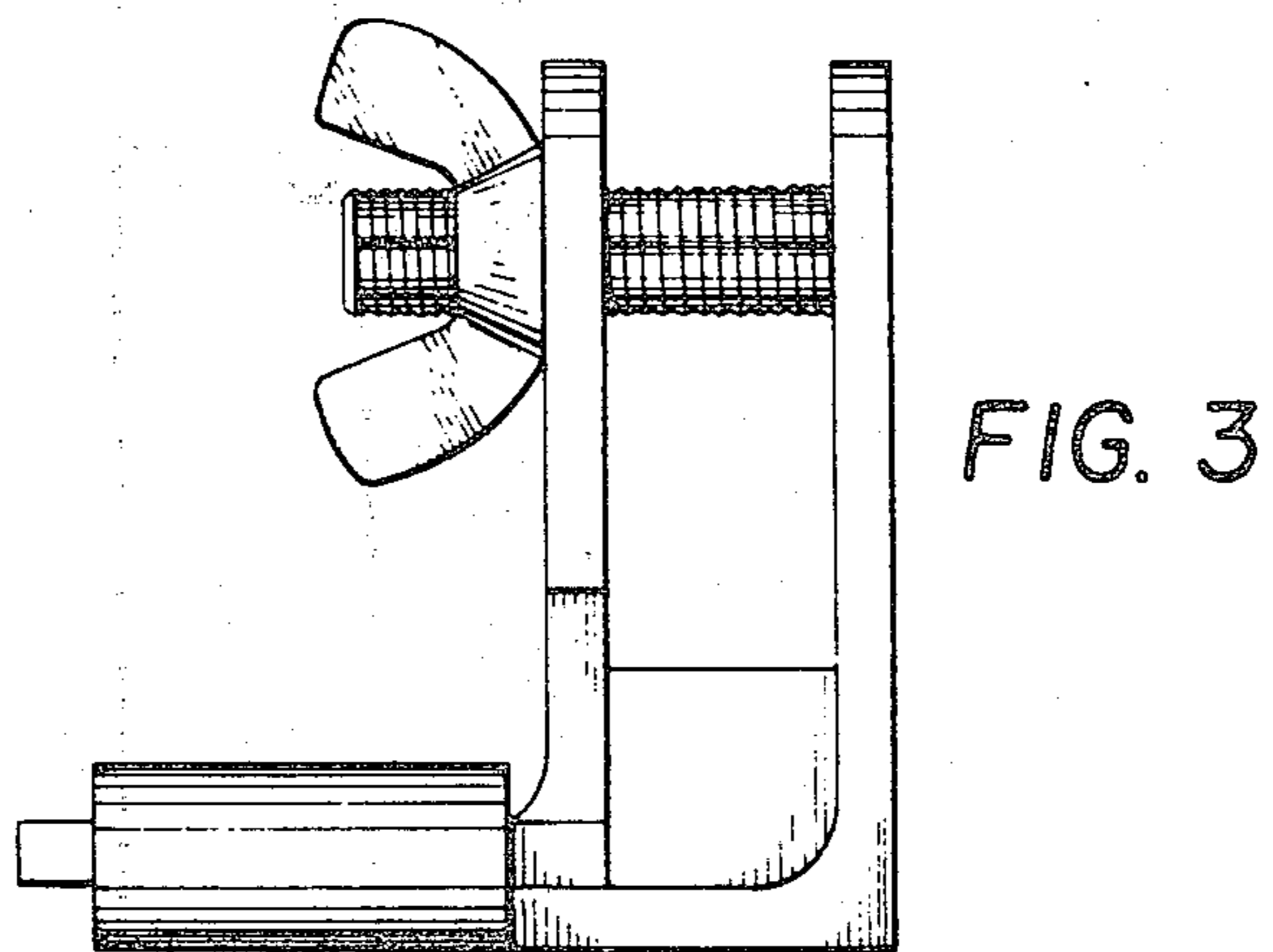
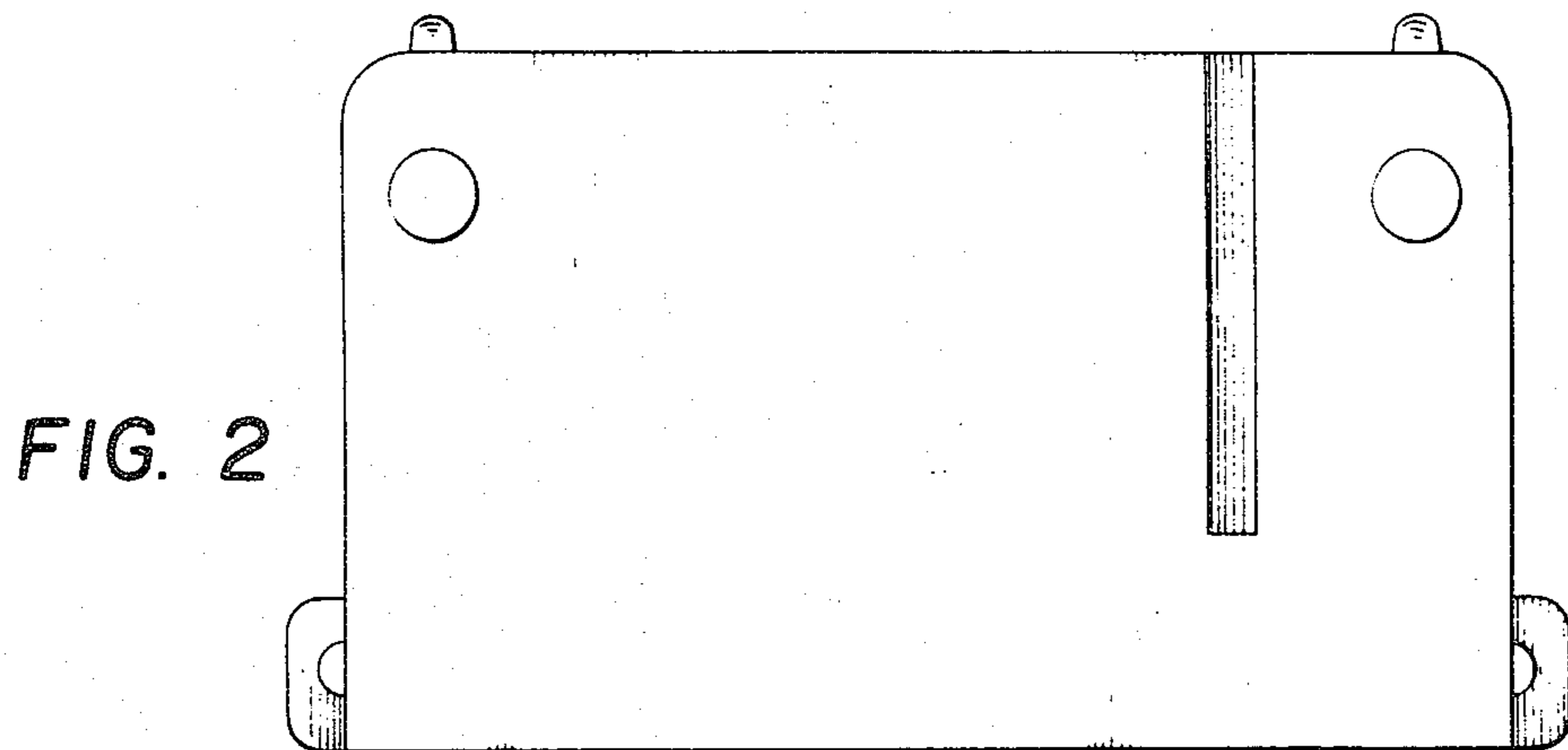
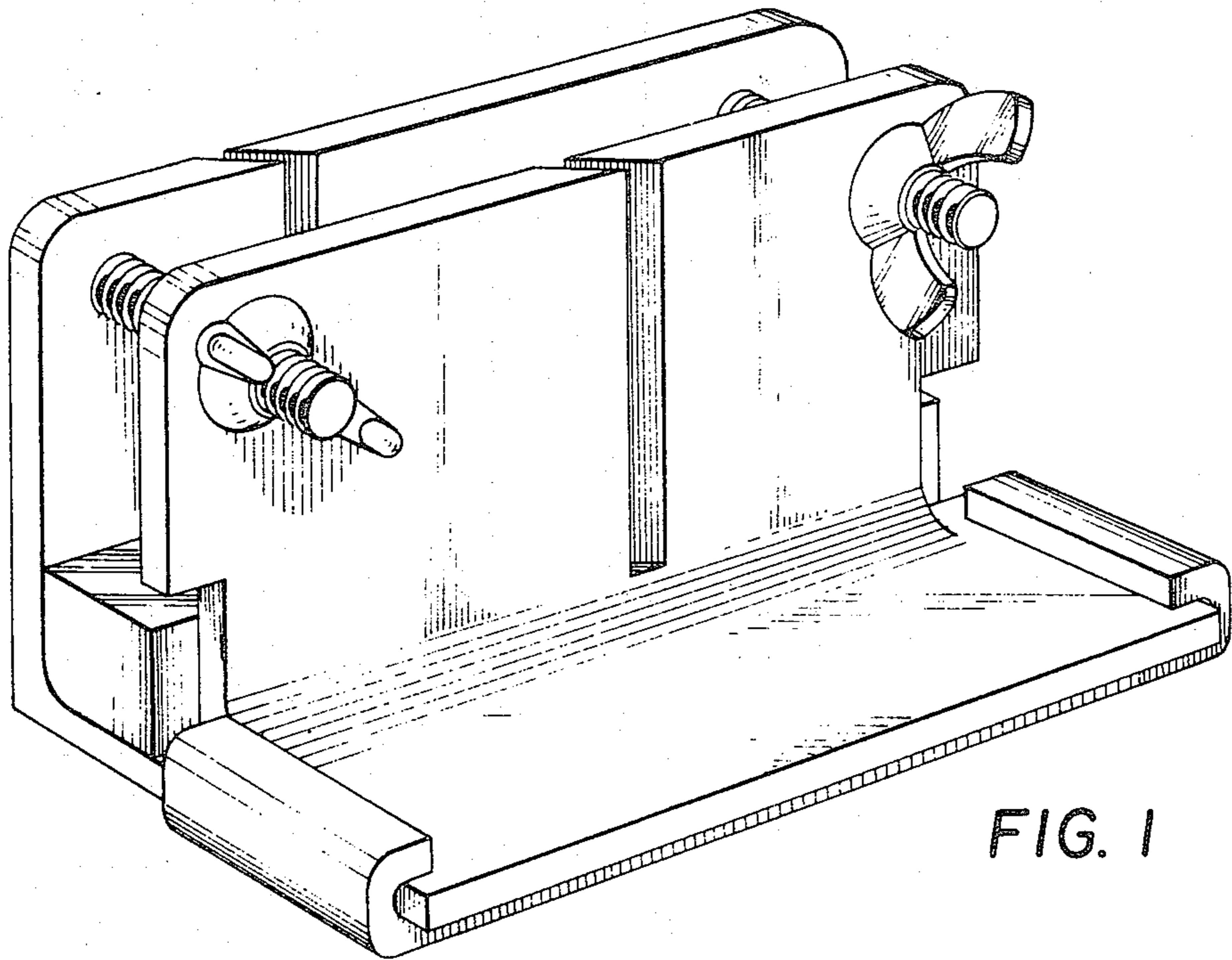


FIG. 4

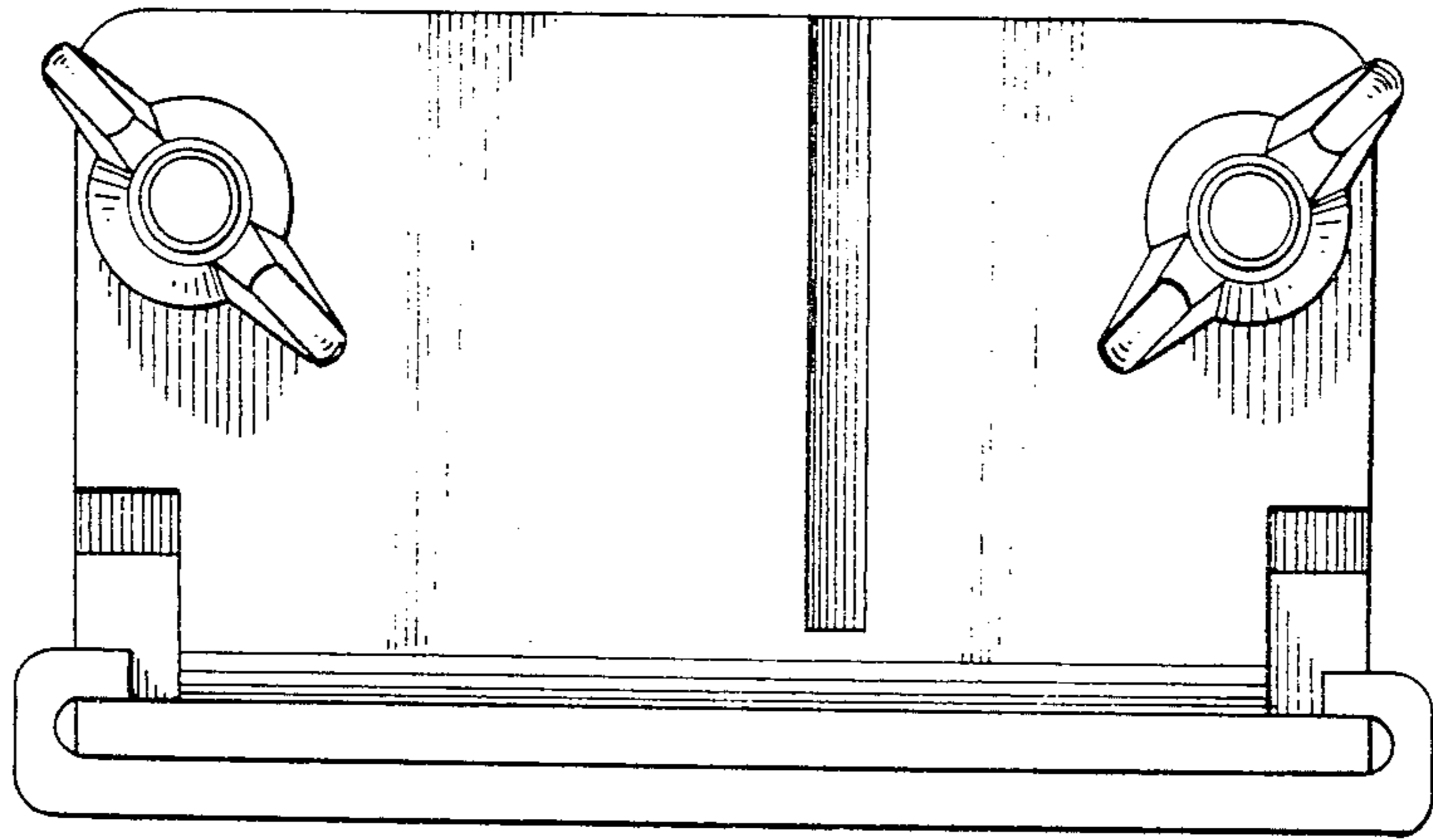


FIG. 5

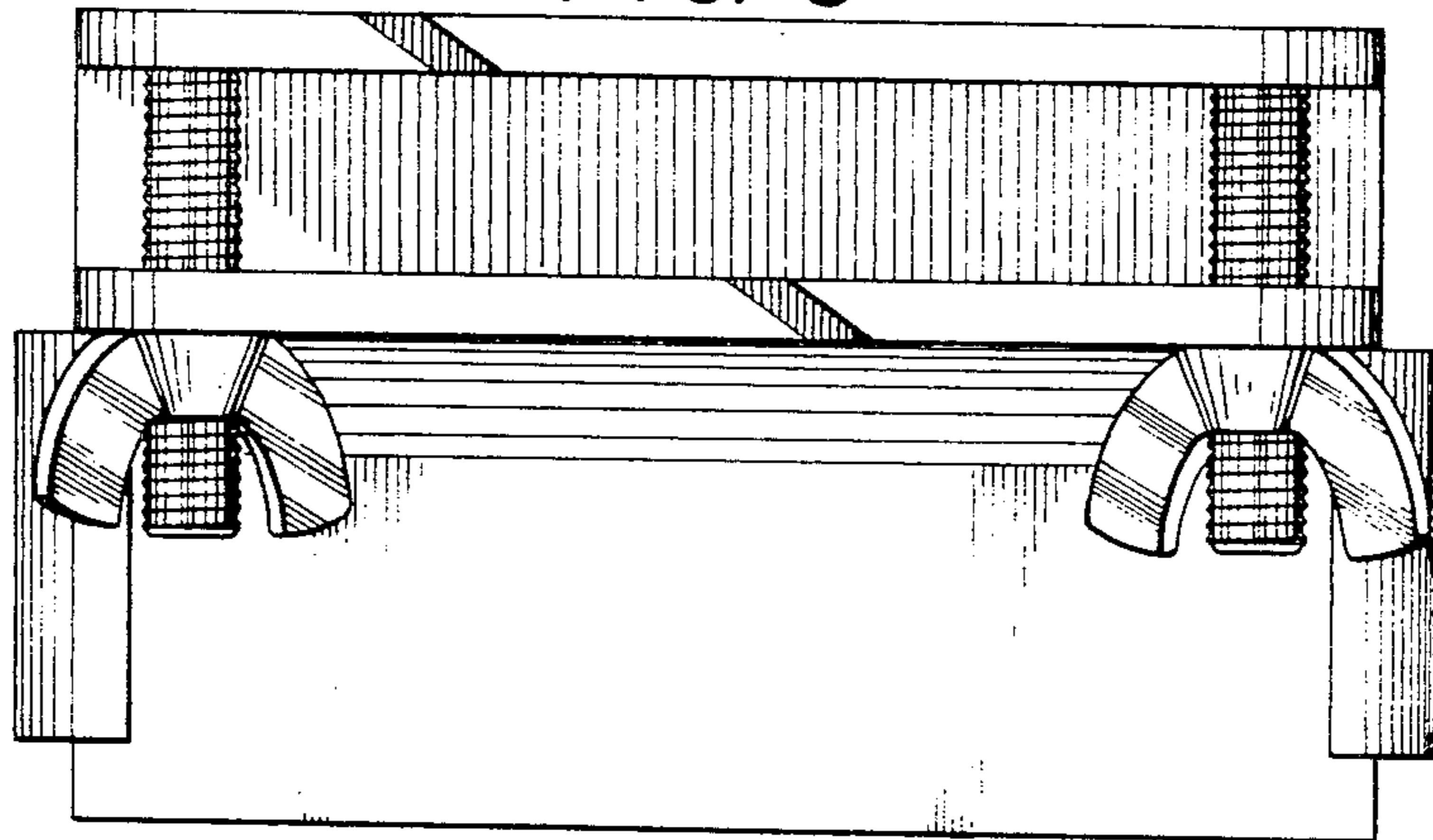


FIG. 6

