

[54] **RIGHT ANGLE TROWEL**

4,155,141 5/1979 Guerra 15/235.8

[76] **Inventor: Wilfred J. Zieglmeier, Rte. 3, St. Cloud, Minn. 56301**

[**] **Term: 14 Years**

[21] **Appl. No.: 416,918**

[22] **Filed: Sep. 13, 1982**

[52] **U.S. Cl. D8/45**

[58] **Field of Search D8/45, 47; D32/45, 52; D4/24; 15/235.3-235.8**

[56] **References Cited**

U.S. PATENT DOCUMENTS

D. 246,569	12/1977	Wesson	D8/45
774,005	11/1904	Thies	.	
1,055,406	3/1913	Mason et al.	15/235.4
2,395,186	2/1946	Jones	D8/45 X
2,594,878	4/1952	Davis	15/235.4 X
2,896,441	7/1959	Tucker	72/136
3,045,271	7/1962	Cinotti	15/235.8
3,105,262	10/1963	Lathrop et al.	15/235.7
3,758,909	9/1973	Granger, Jr.	15/235.8

OTHER PUBLICATIONS

Goldblatt Tool Company Catalog ©1980; "Silo Trowel", p. 2, Design Library, Hand Tool Catalog Boxes.

Primary Examiner—Susan J. Lucas

Assistant Examiner—Clare E. Heflin

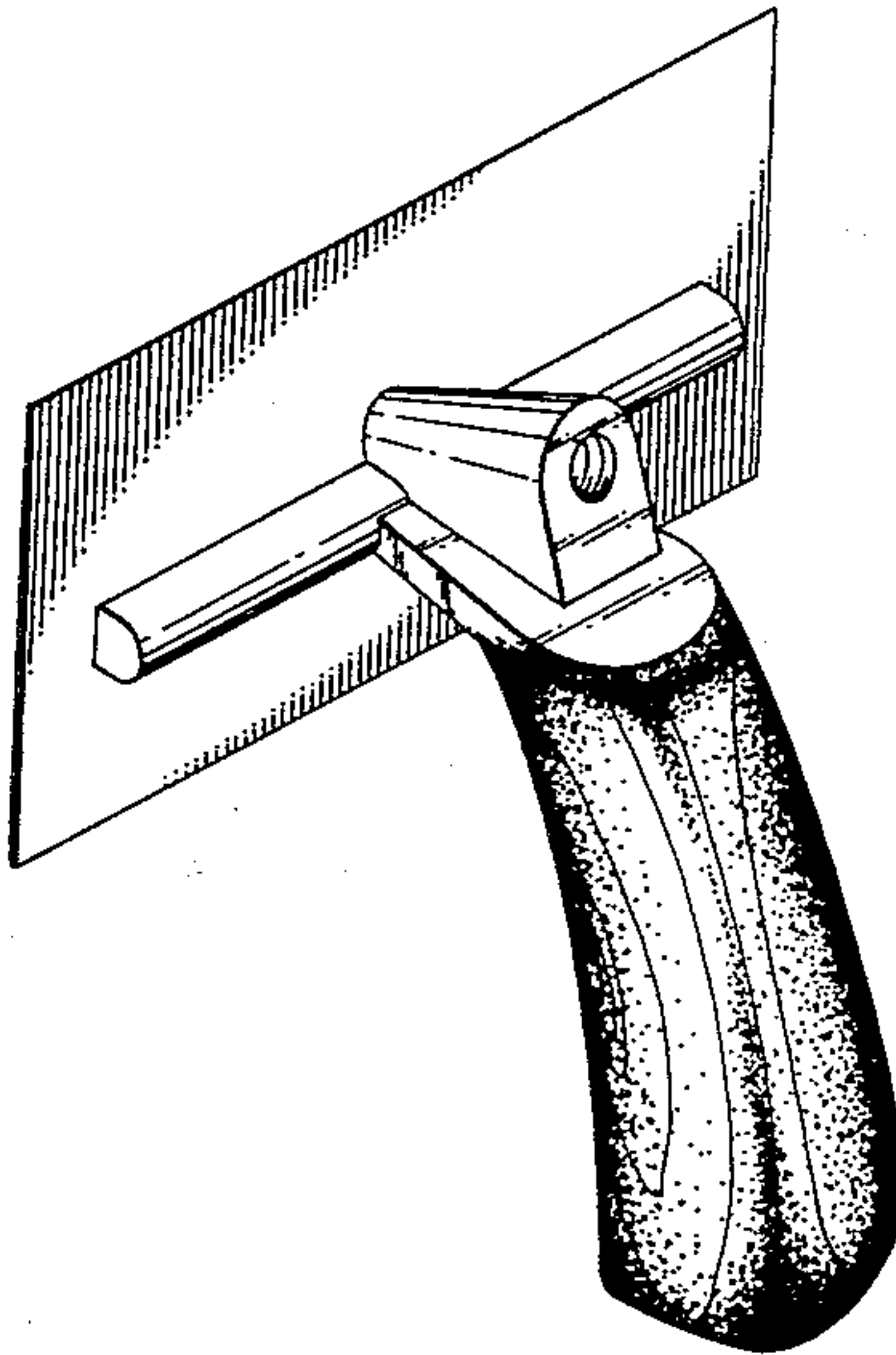
Attorney, Agent, or Firm—Merchant, Gould, Smith, Edell, Welter & Schmidt

[57] **CLAIM**

The ornamental design for a right angle trowel, as shown and described.

DESCRIPTION

FIG. 1 is a perspective view of a right angle trowel showing my new design;
FIG. 2 is a side elevational view thereof, the opposite side being a mirror image;
FIG. 3 is a front elevational view thereof;
FIG. 4 is a bottom plan view thereof;
FIG. 5 is a rear elevational view thereof;
FIG. 6 is a top plan view thereof.



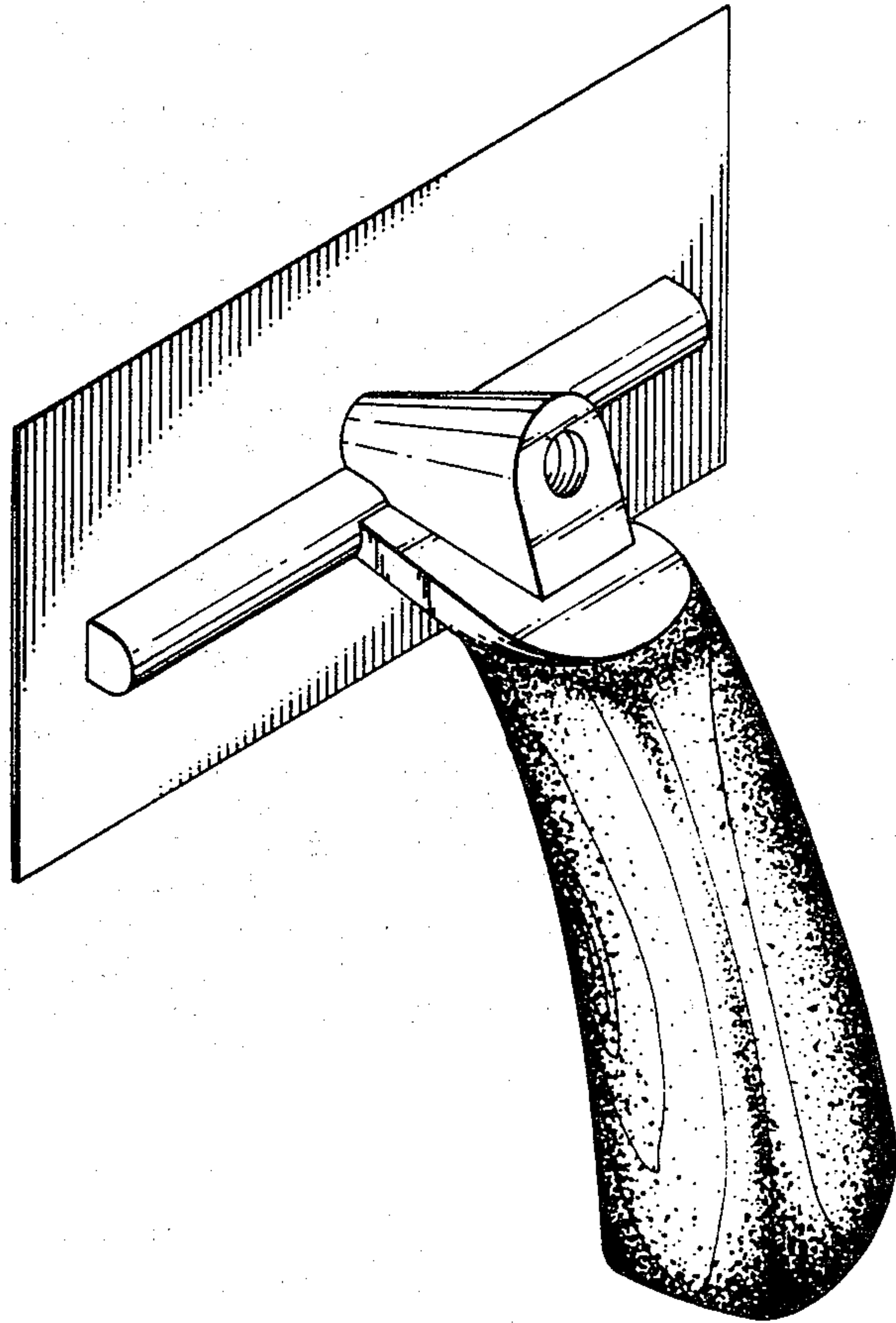


FIG. 1

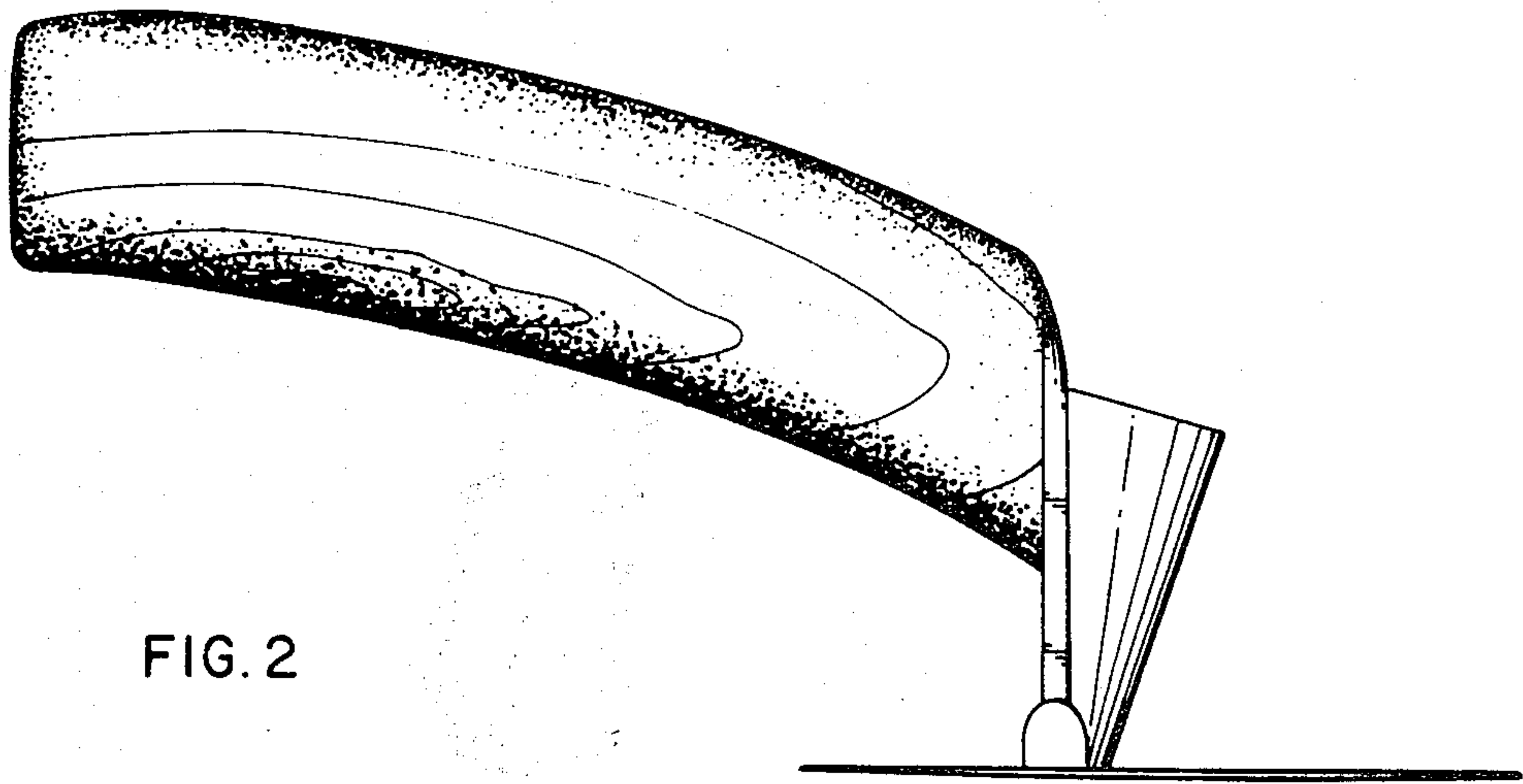


FIG. 2

FIG. 3

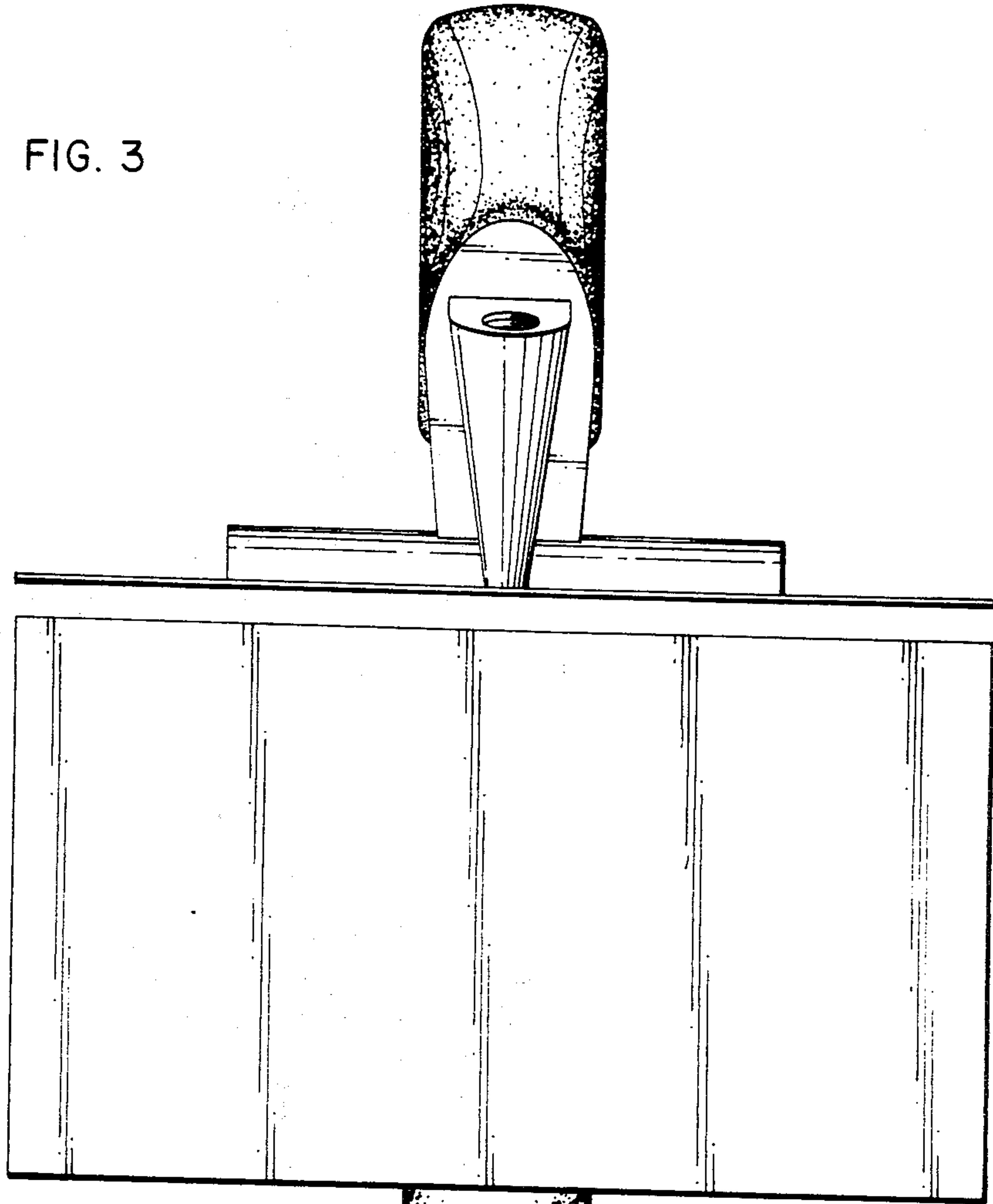


FIG. 4

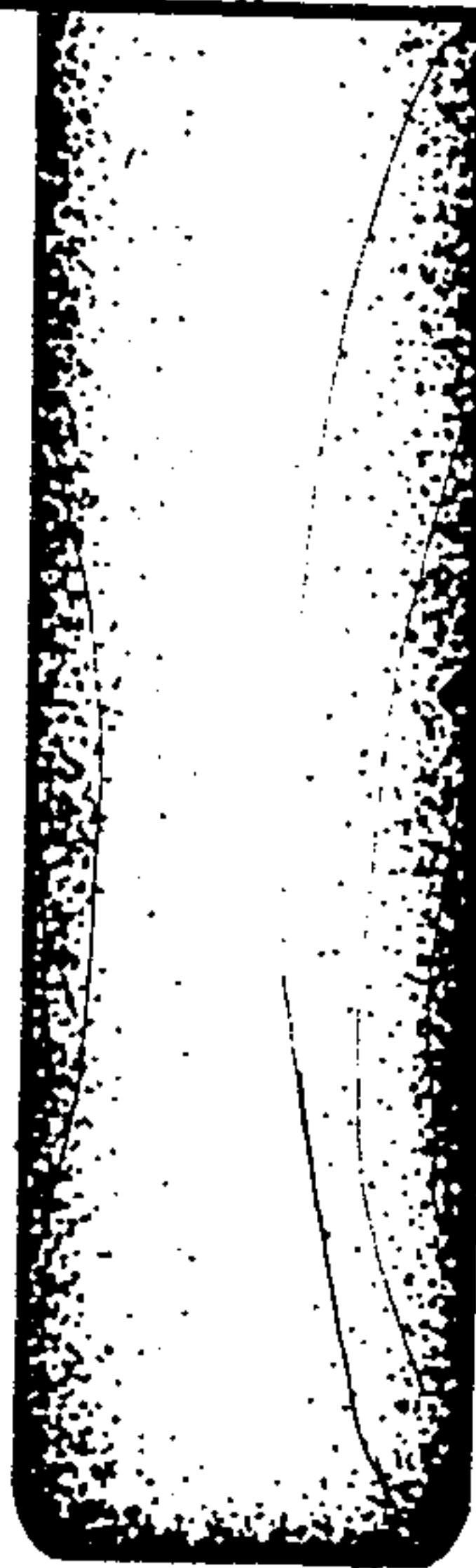


FIG. 5

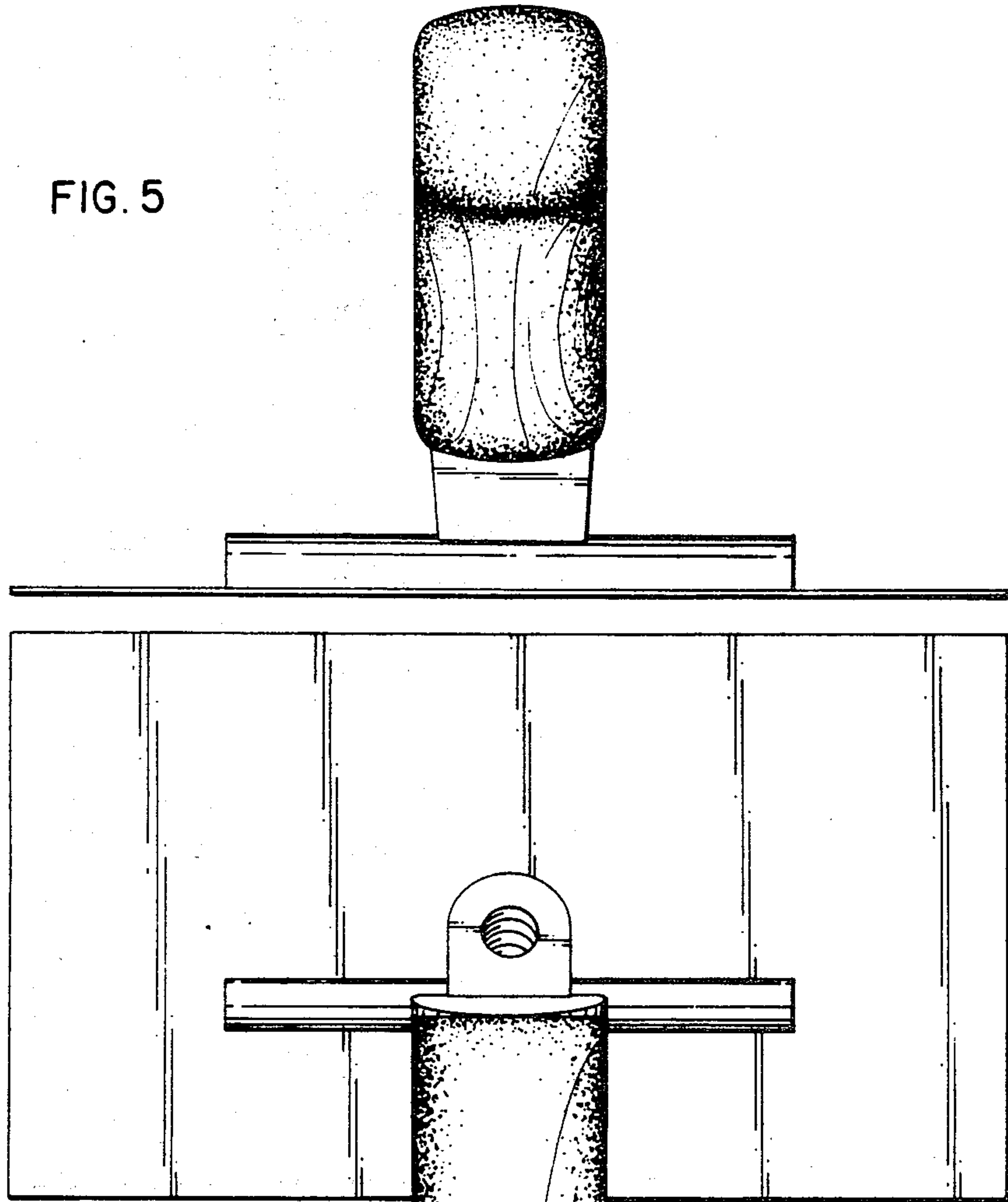


FIG. 6

