

United States Patent [19]

Chow

[11] Patent Number: **Des. 277,926**

[45] Date of Patent: **** Mar. 12, 1985**

[54] **CAN OPENER**

[76] Inventor: **Ivan Chow**, Flat D & E, 5th Flr., Tak Lee Commercial Bldg., 113-117 Wanchai Rd., Hong Kong, Hong Kong

[**] Term: **14 Years**

[21] Appl. No.: **373,912**

[22] Filed: **May 3, 1982**

[30] **Foreign Application Priority Data**

Mar. 18, 1982 [GB] United Kingdom 1,005,688
[52] U.S. Cl. **D8/41**; 30/416
[58] Field of Search D8/40, 41, 33; 7/151, 7/152; 8/3.1 R, 33; 30/416, 422, 426

[56] **References Cited**

U.S. PATENT DOCUMENTS
1,718,125 6/1929 Edlund 30/416

1,802,443	4/1931	Nagano	30/416
1,852,389	4/1932	Zidovec	30/416 X
2,008,430	7/1935	Wolforsdorf	30/416
2,554,420	5/1951	Okey	30/416
3,315,353	4/1967	Thomas	30/416

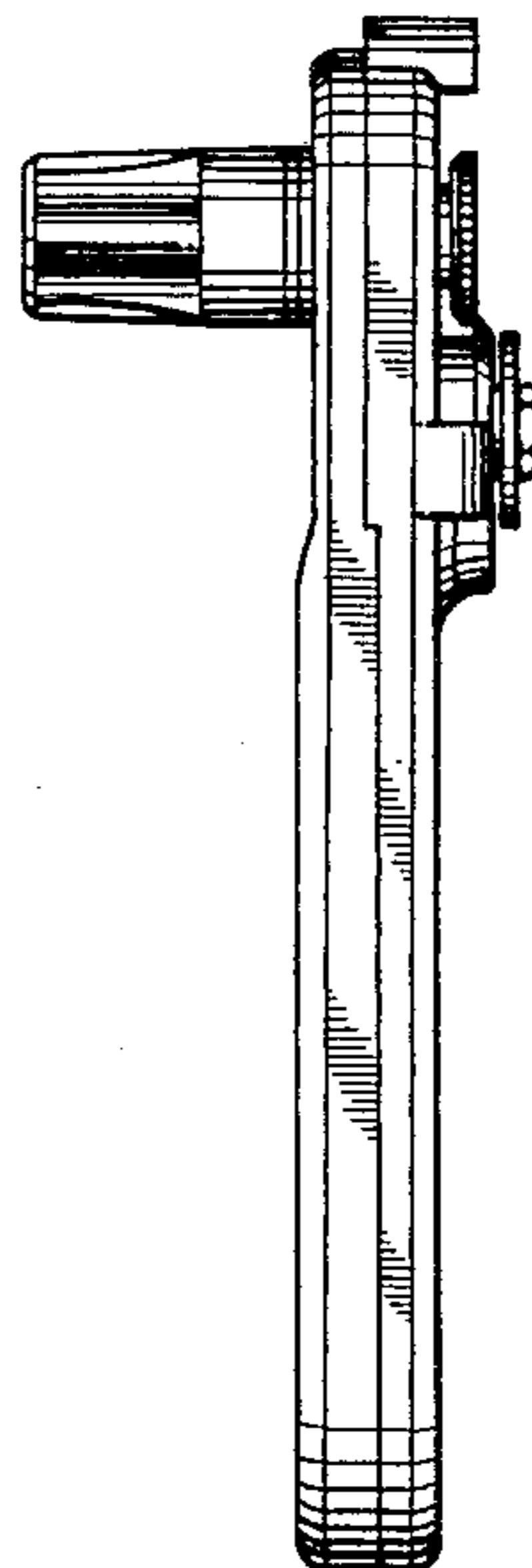
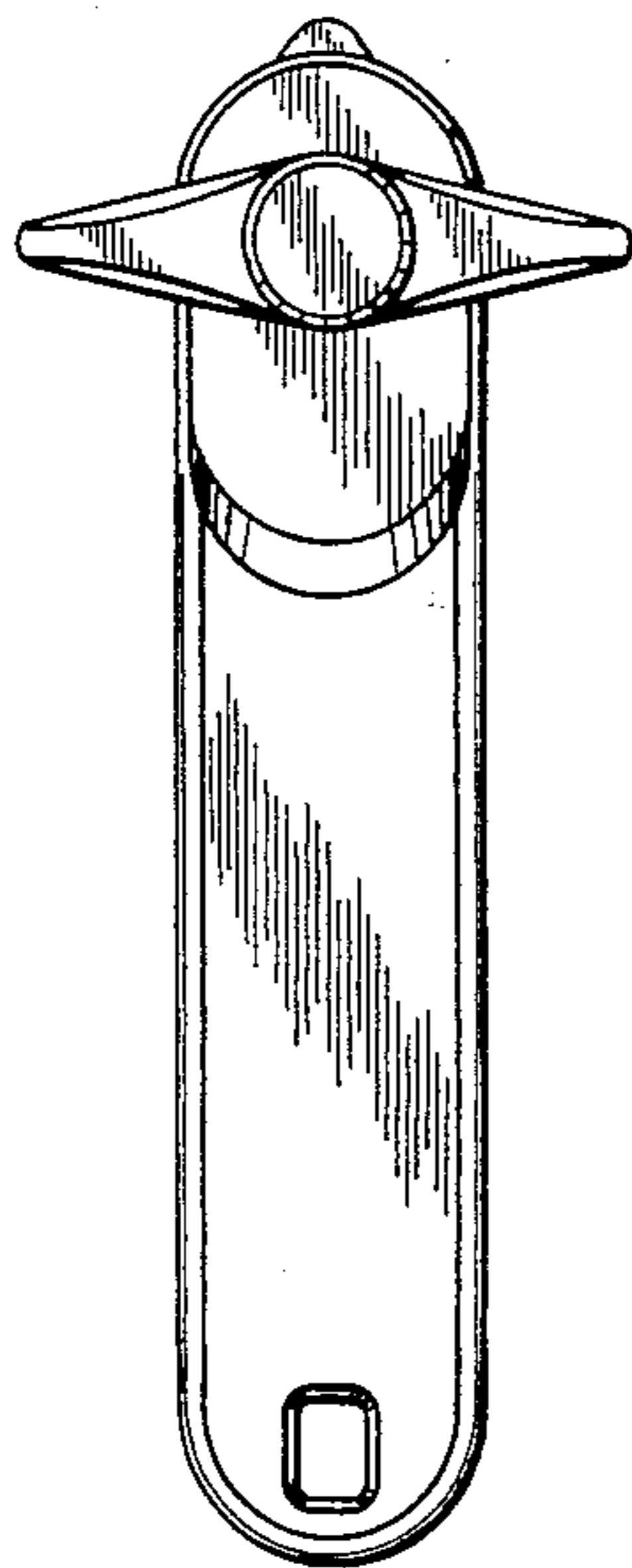
Primary Examiner—Bernard Ansher
Assistant Examiner—Terry Pfeffer
Attorney, Agent, or Firm—Townsend and Townsend

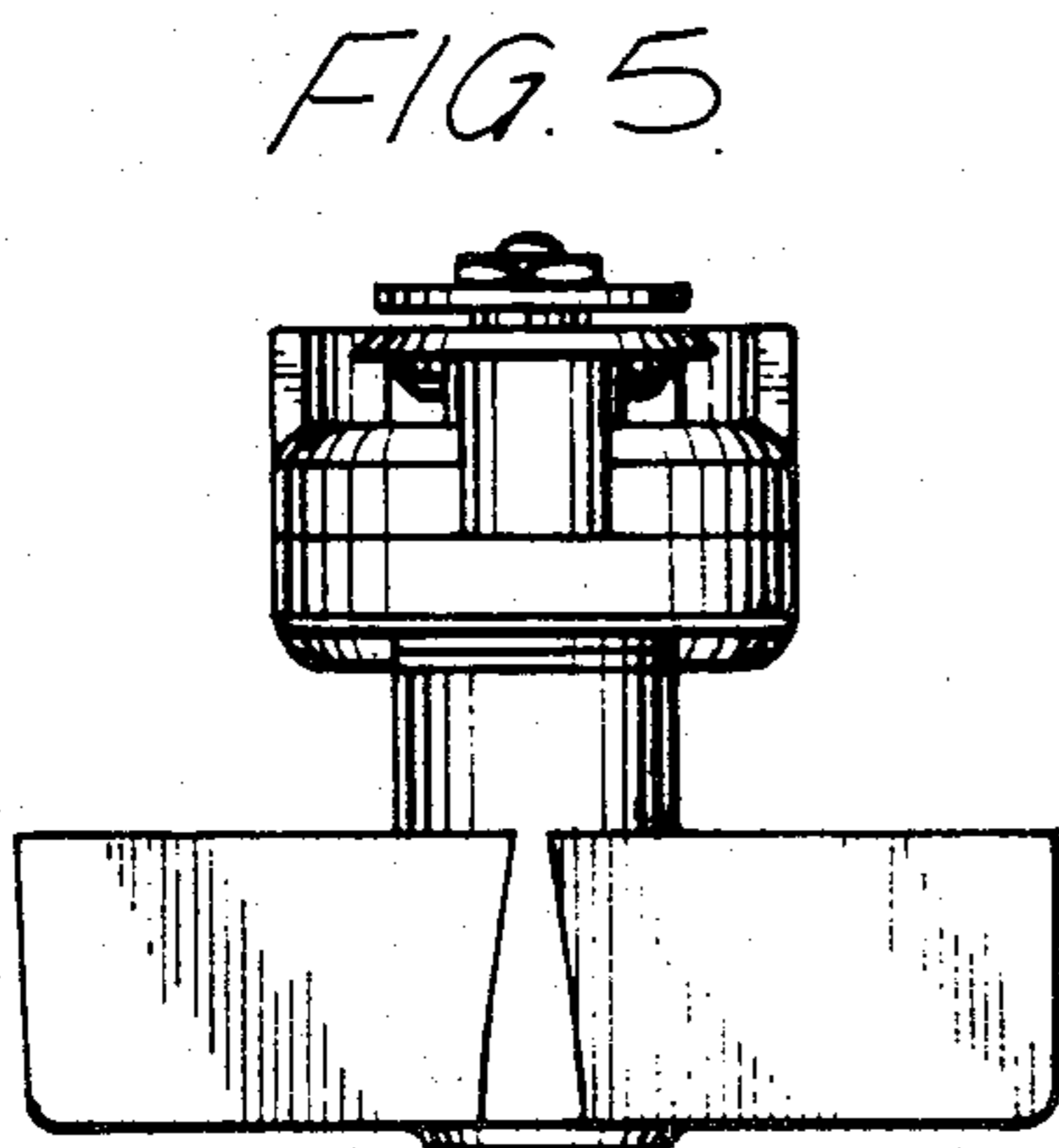
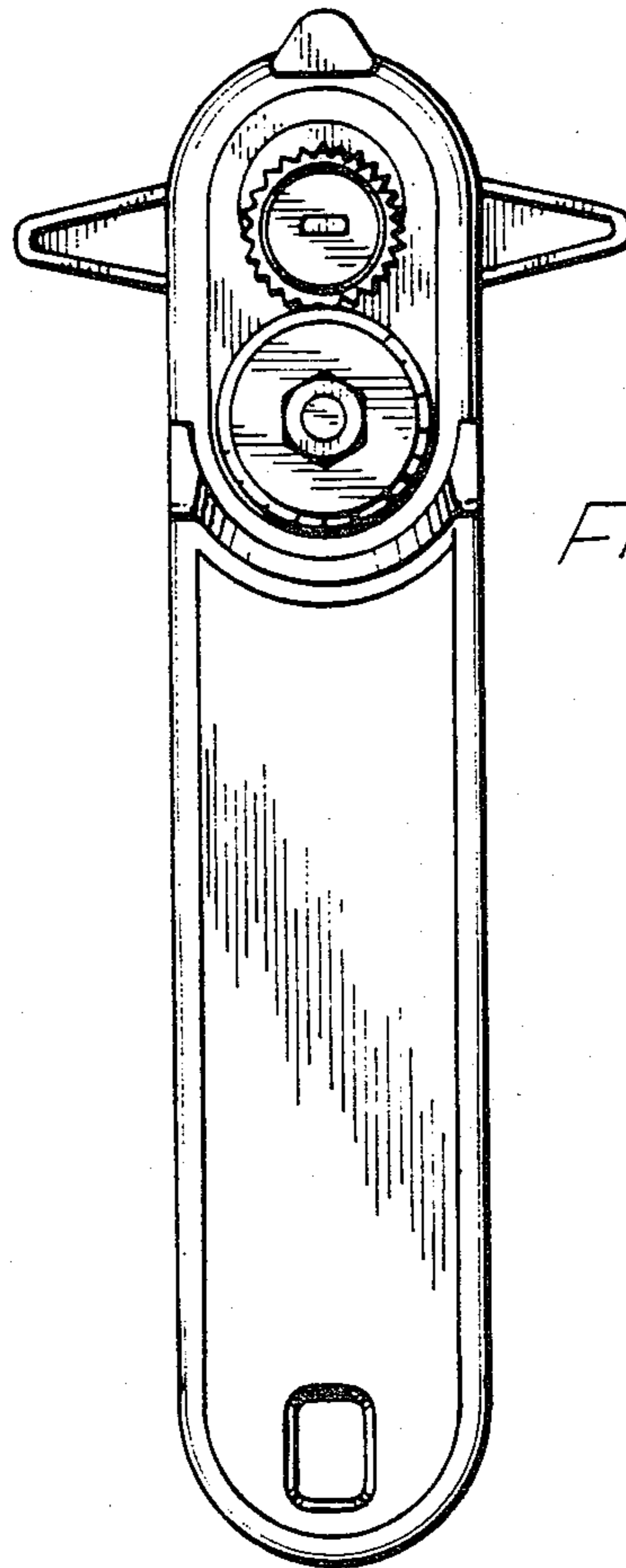
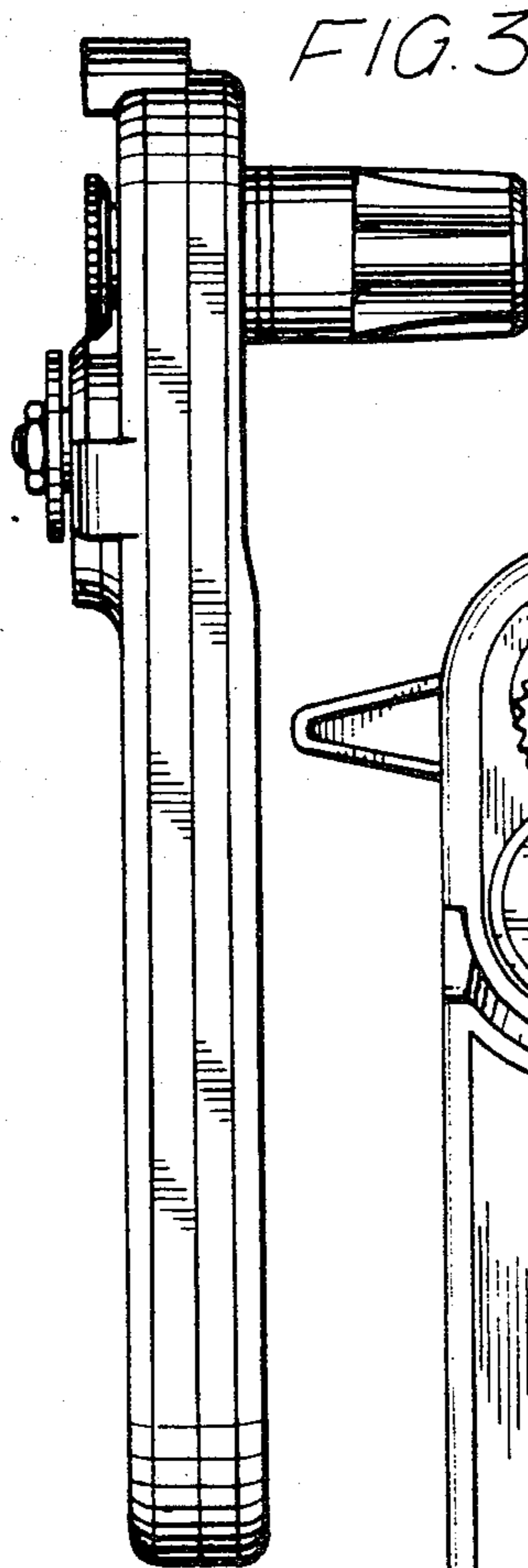
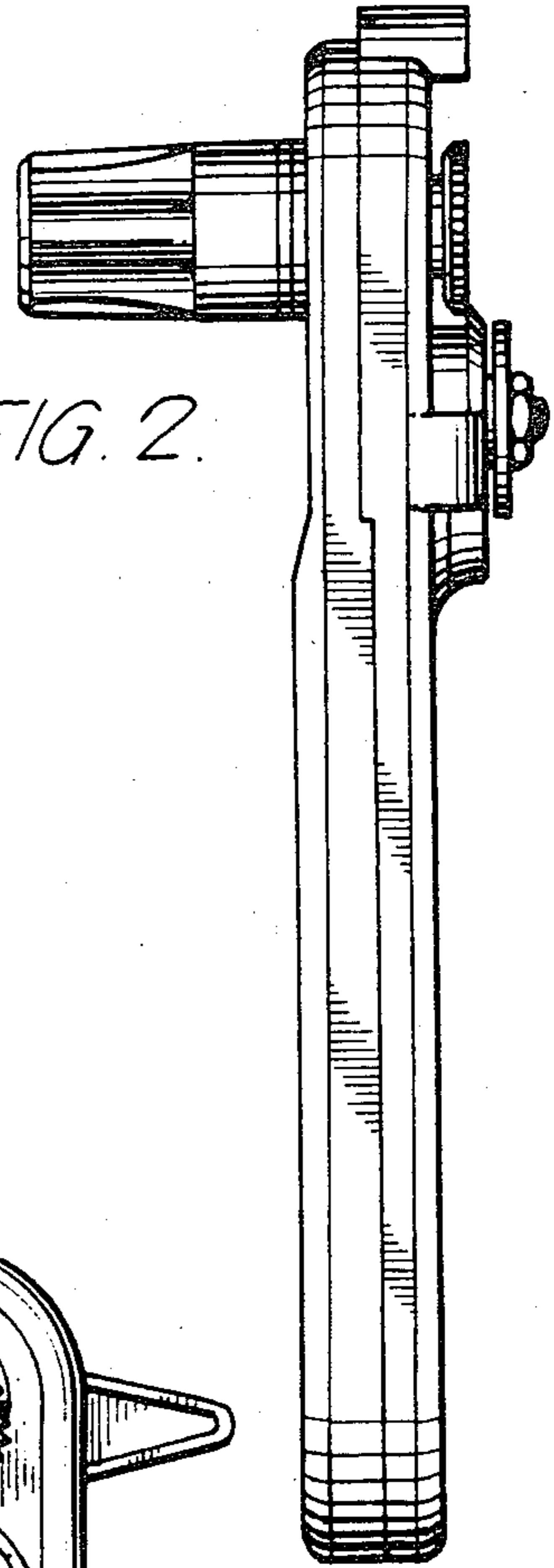
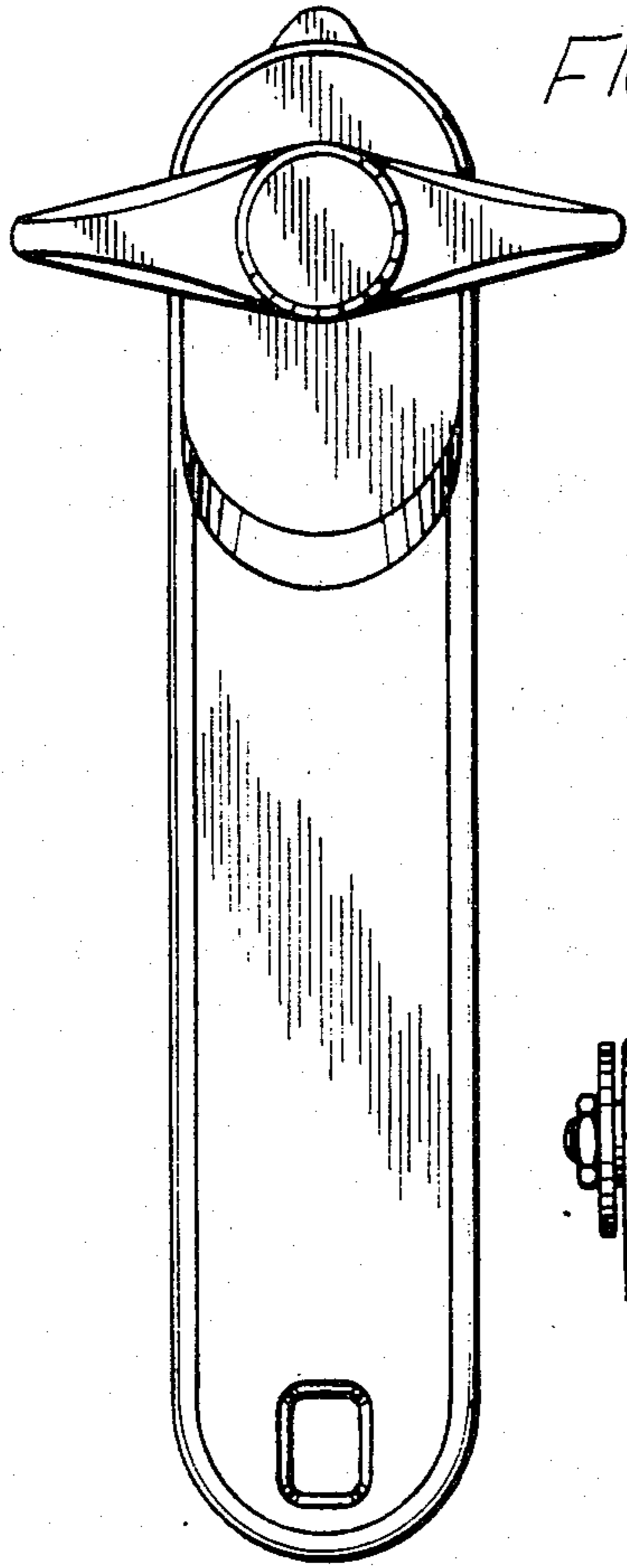
[57] **CLAIM**

The ornamental design for a can opener, as shown.

DESCRIPTION

FIG. 1 is a front elevation of a can opener showing my new design;
FIG. 2 is a side elevation thereof;
FIG. 3 is an elevation of the opposite side illustrated in FIG. 2;
FIG. 4 is a rear elevation thereof;
FIG. 5 is a top plan view thereof; and
FIG. 6 is a bottom plan view of the can opener in an alternate open position.





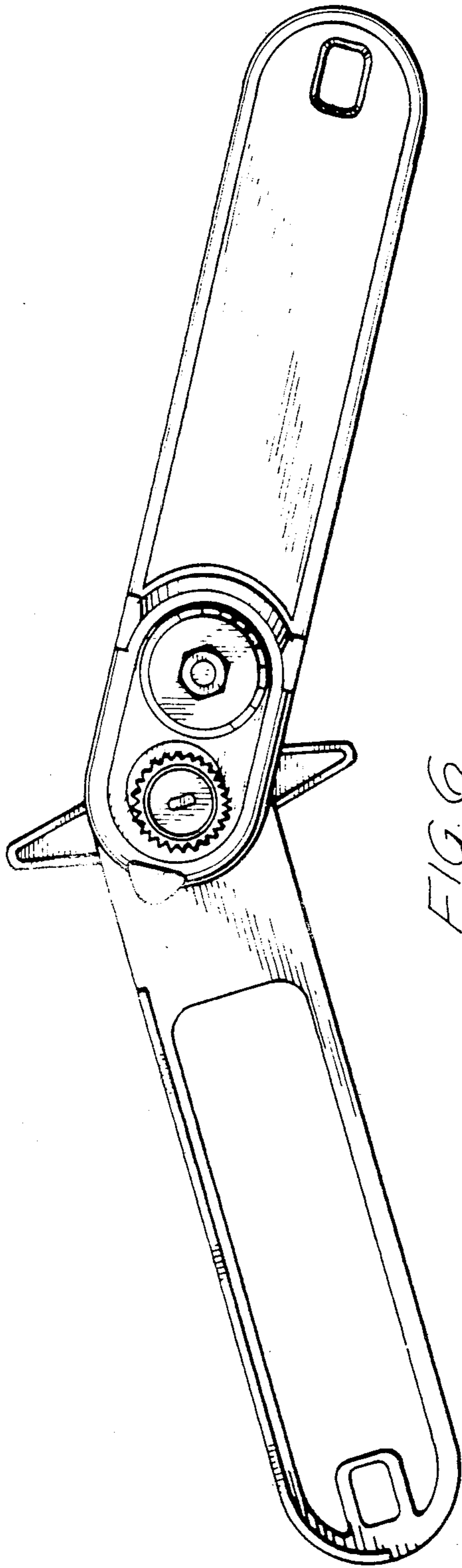


FIG. 6.