

United States Patent [19]

Bentson

[11] Patent Number: **Des. 277,922**

[45] Date of Patent: **** Mar. 12, 1985**

- [54] **TORTILLA BASKET FRYER**
- [75] Inventor: **Wade A. Bentson, San Francisco, Calif.**
- [73] Assignee: **AMCO Corporation, Chicago, Ill.**
- [**] Term: **14 Years**
- [21] Appl. No.: **553,371**
- [22] Filed: **Nov. 18, 1983**
- [52] U.S. Cl. **D7/43; D7/99; D7/361**
- [58] Field of Search **D7/99, 43, 356, 361; D34/42; 99/353, 349, 426**

- 2,635,528 4/1953 Torres 99/426 X
2,732,096 1/1956 Siciliano D34/42 X
3,424,076 1/1969 Bernatz et al. 99/426 X
4,173,926 11/1979 Brignall 99/426 X

Primary Examiner—Winifred E. Herrmann
Attorney, Agent, or Firm—Laff, Whitesel, Conte & Saret

[57] CLAIM

The ornamental design for a tortilla basket fryer, as shown and described.

DESCRIPTION

FIG. 1 is a side elevational view of a tortilla basket fryer showing my new design, the opposite side being a mirror image thereof;
FIG. 2 is a bottom plan view thereof;
FIG. 3 is a top plan view thereof;
FIG. 4 is a left end elevational view of FIG. 1;
FIG. 5 is a right end elevational view of FIG. 1; and
FIG. 6 is an exploded perspective view thereof, with a tortilla being shown in broken lines for illustrative purposes only.

[56] References Cited

U.S. PATENT DOCUMENTS

- D. 164,107 7/1951 Doblin D7/99
869,690 10/1907 Brown 99/426 X
902,181 10/1908 Tidow 99/426 X
2,367,448 1/1945 Thiele 99/426 X

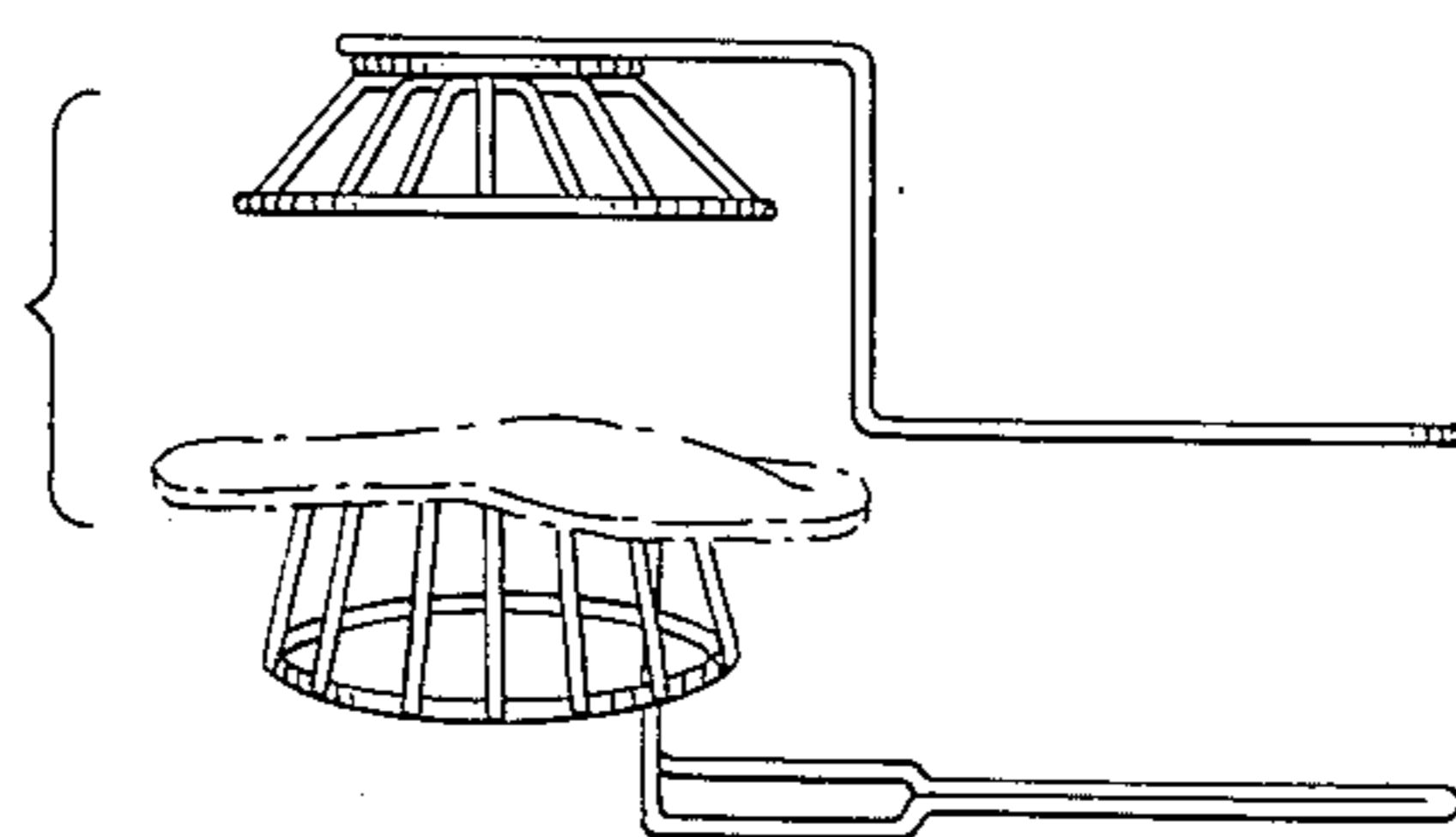
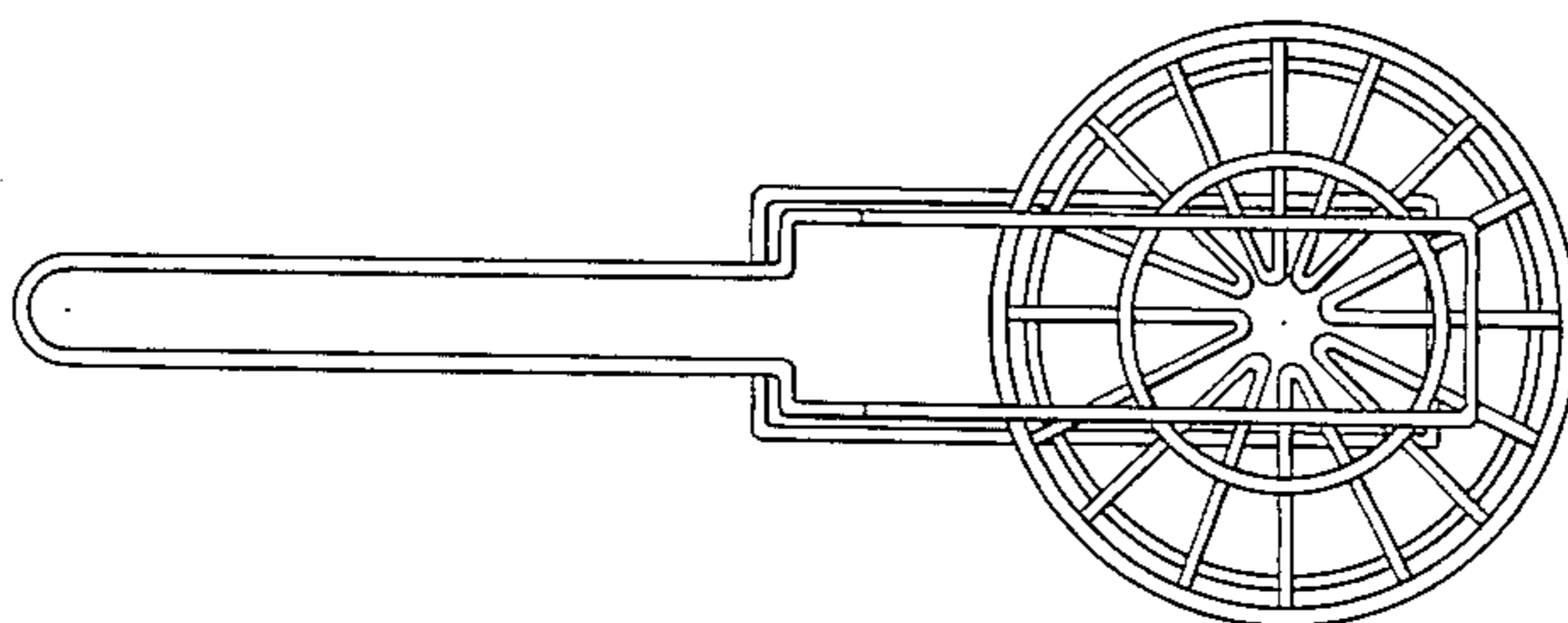
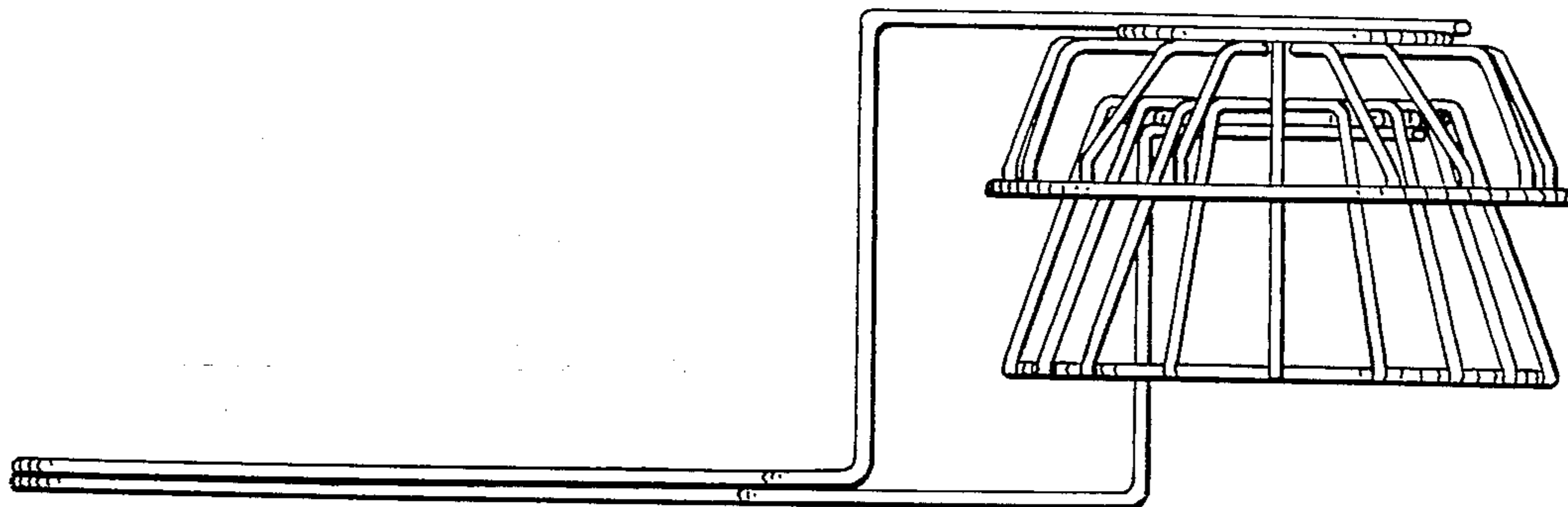


FIG. 1

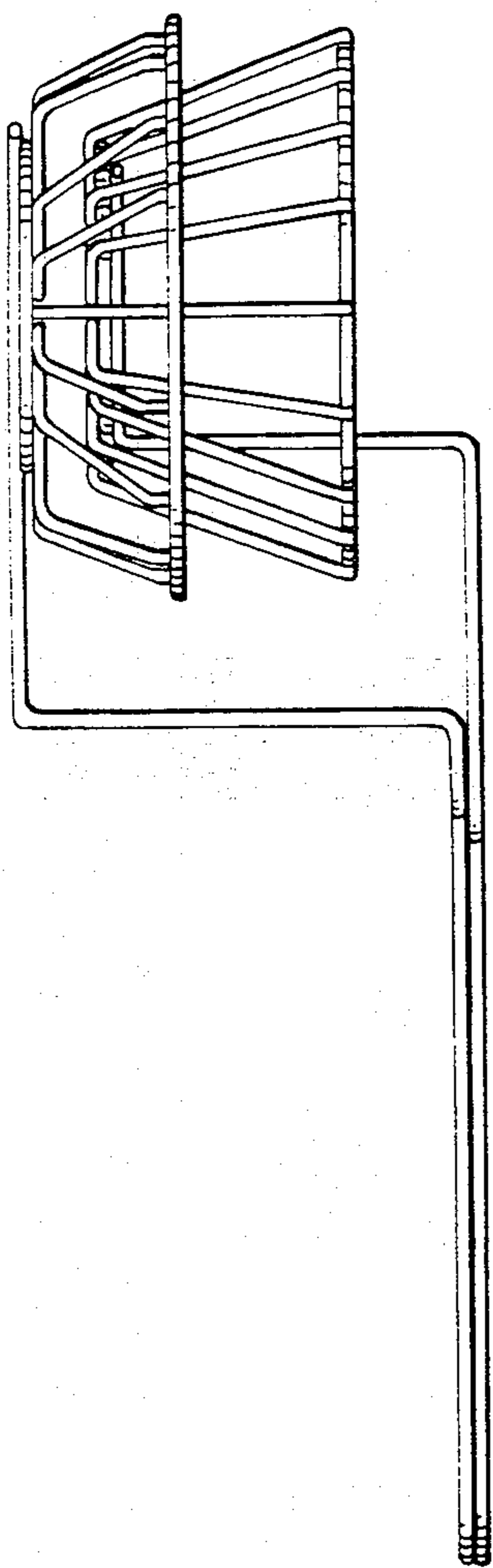
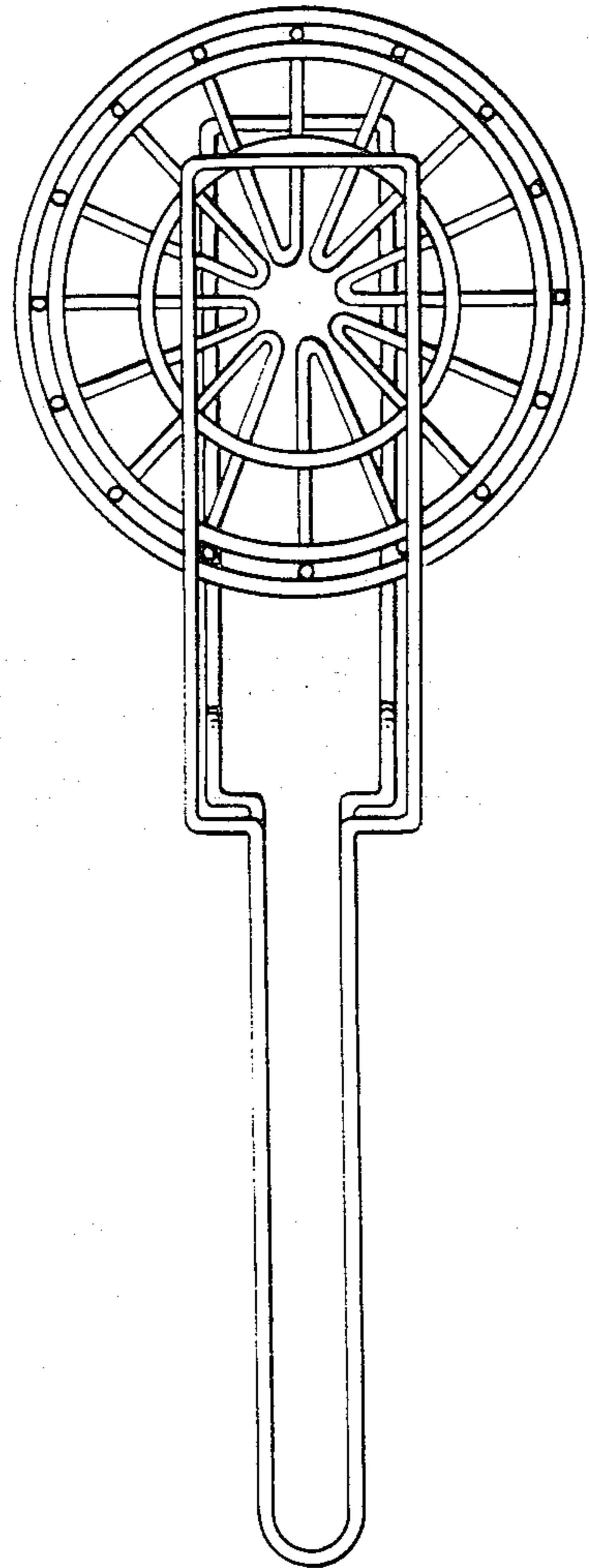


FIG. 2



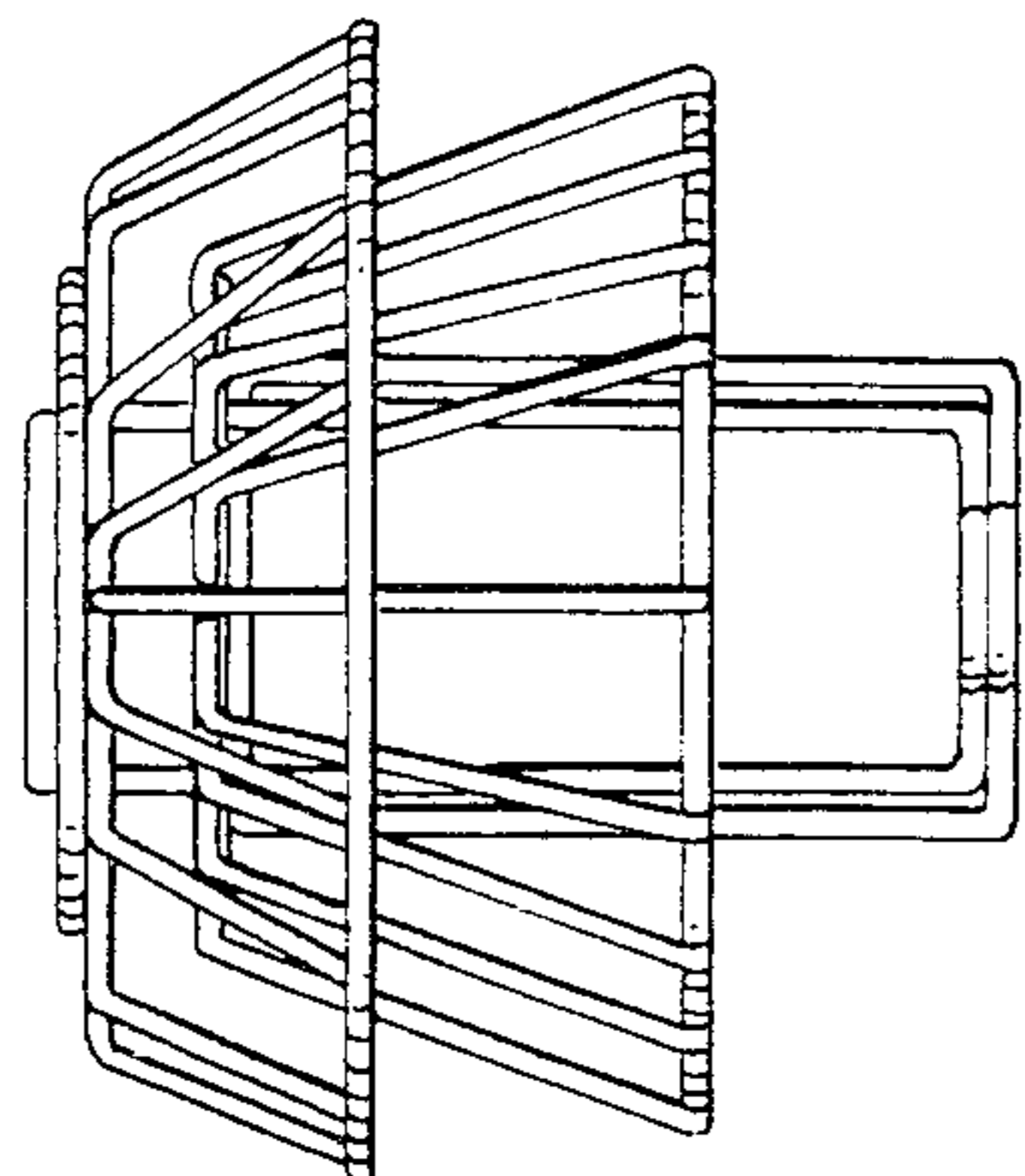


FIG. 5

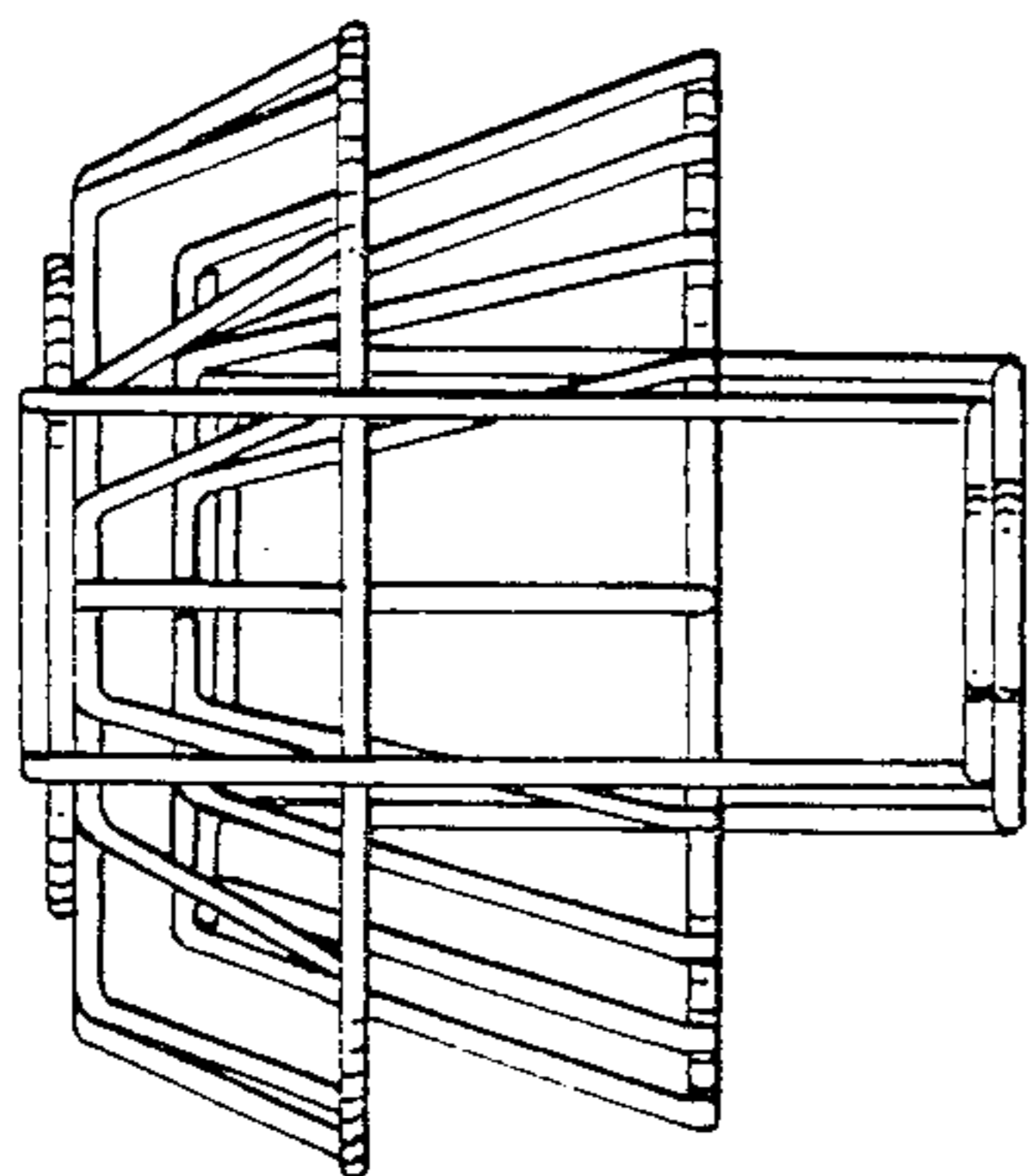


FIG. 4

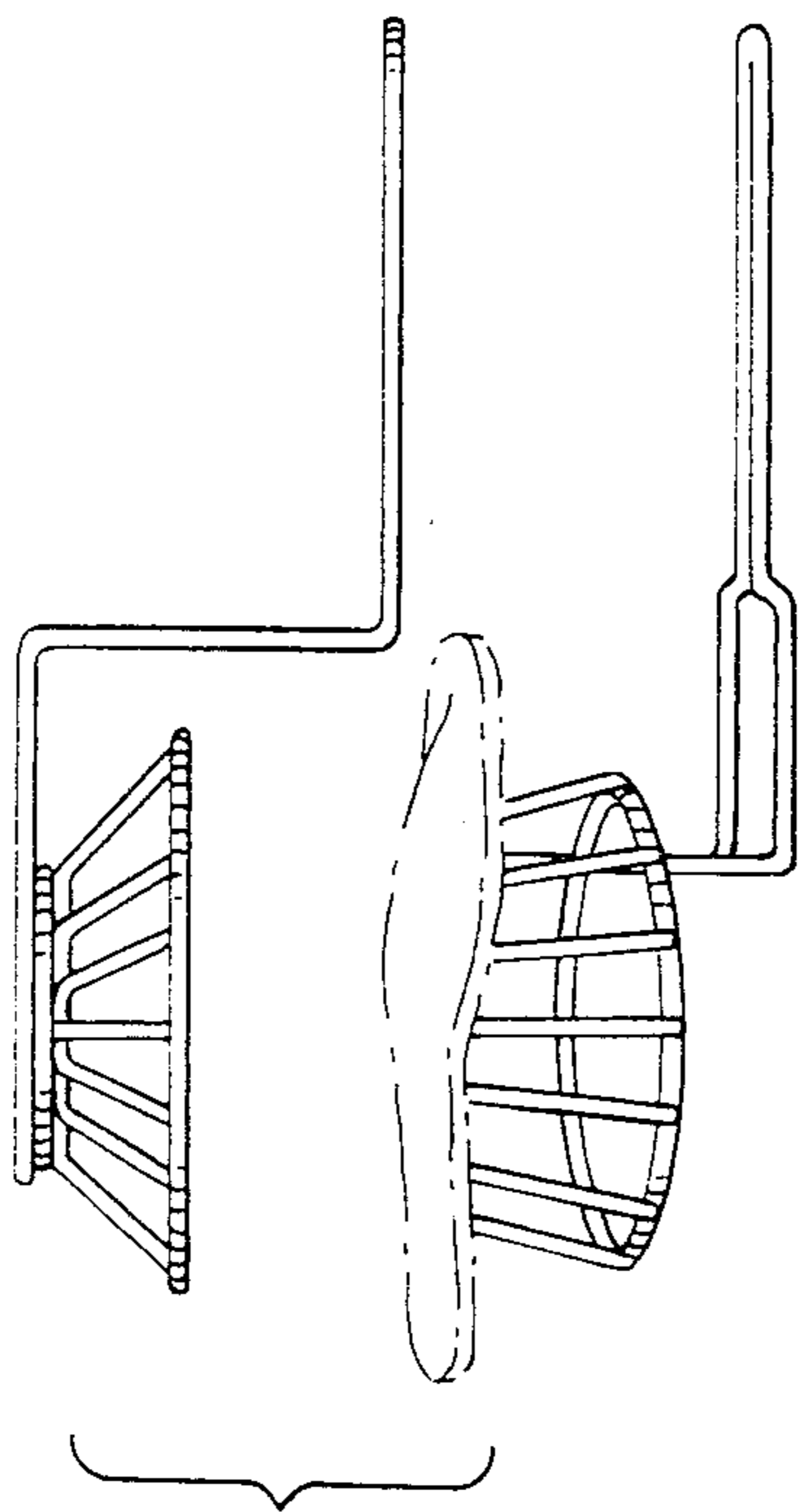


FIG. 6

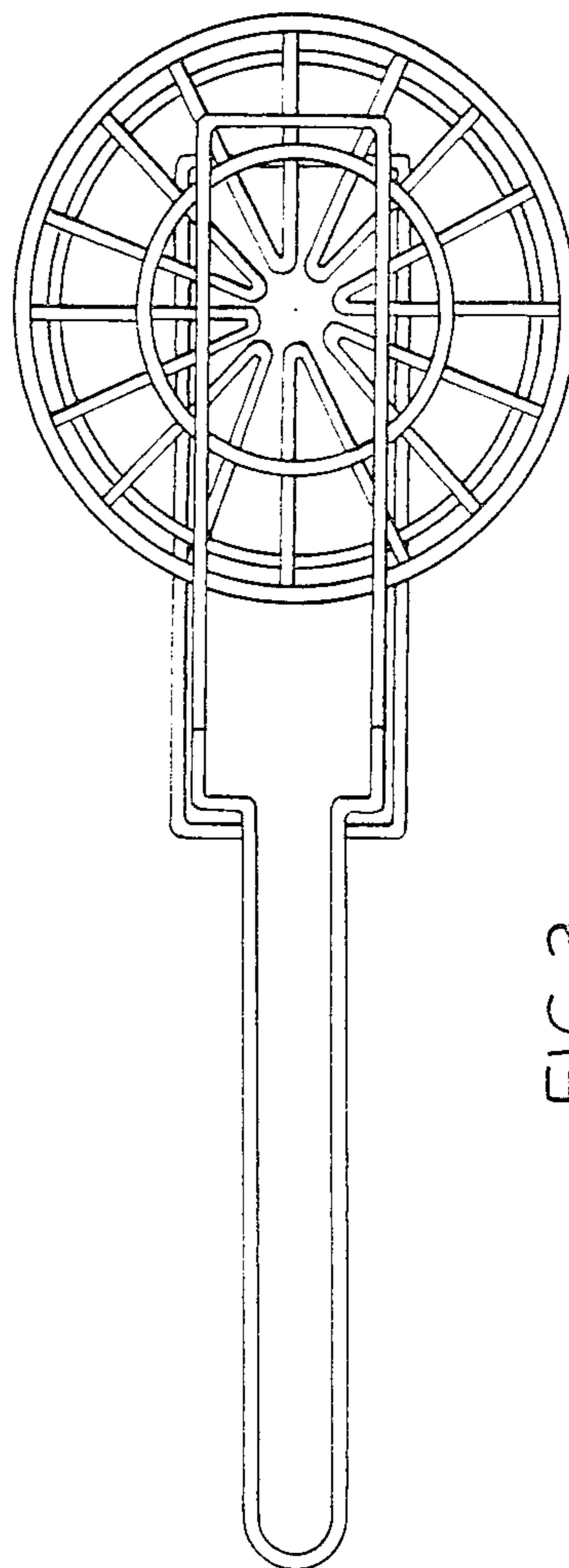


FIG. 3