

[54] INSULATED CUP

[76] Inventor: Edgar Otto, 9 Kevin Rd., Scotch Plains, N.J. 07080

[**] Term: 14 Years

[21] Appl. No.: 421,356

[22] Filed: Sep. 22, 1982

[52] U.S. Cl. D7/9

[58] Field of Search D7/9, 10, 6, 70

[56] References Cited

U.S. PATENT DOCUMENTS

- D. 144,223 3/1946 Stumpf D7/9
- D. 186,037 9/1959 Stageberg D7/9
- D. 204,474 4/1966 Trombley D7/70
- 3,684,123 8/1972 Bridges D7/9 X

OTHER PUBLICATIONS

Housewares, Jan. 1977, p. 56, Flambeau Adv. Insulated

Products, 2 row, far left Mug., bottom row, center Mug.

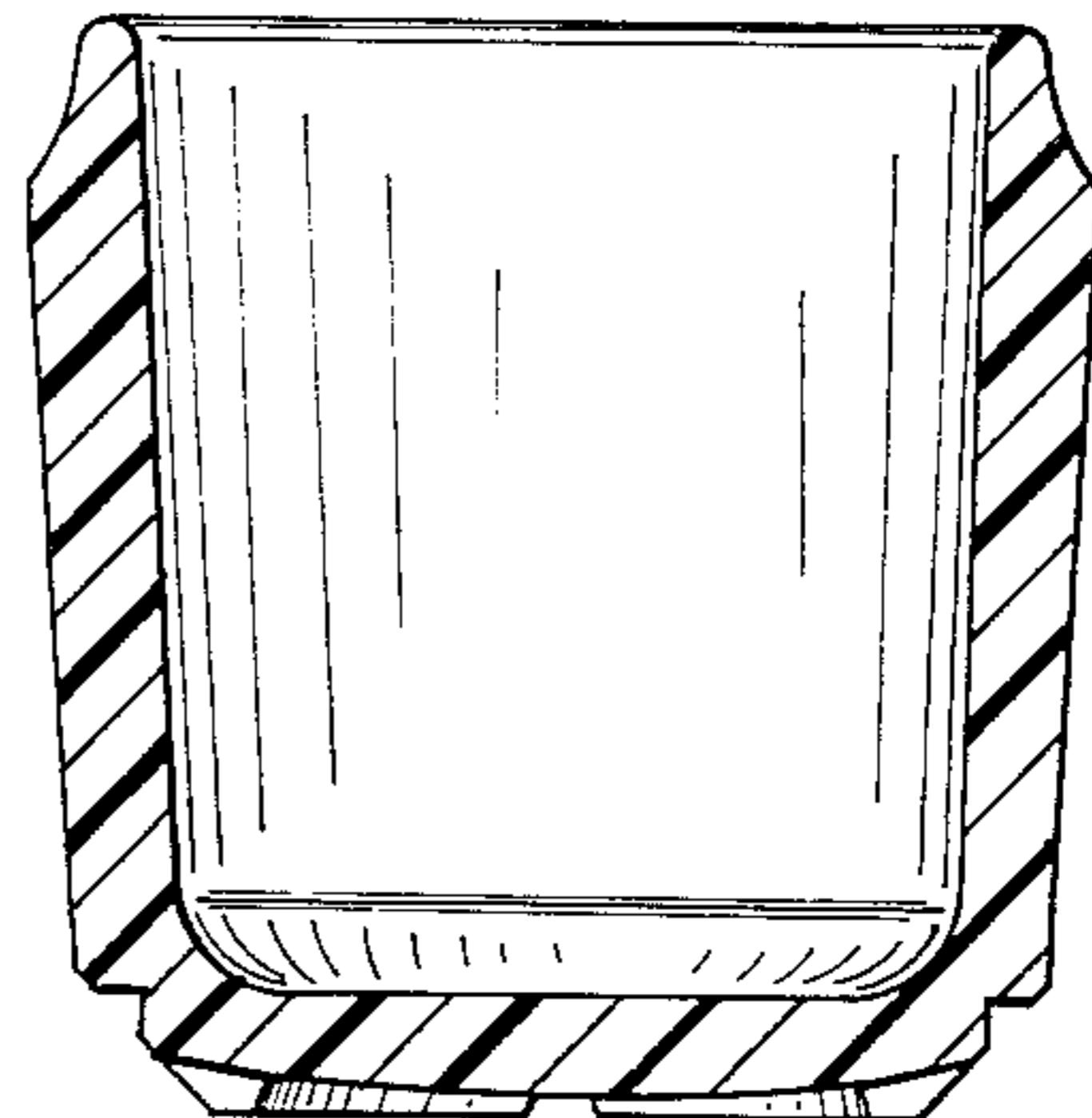
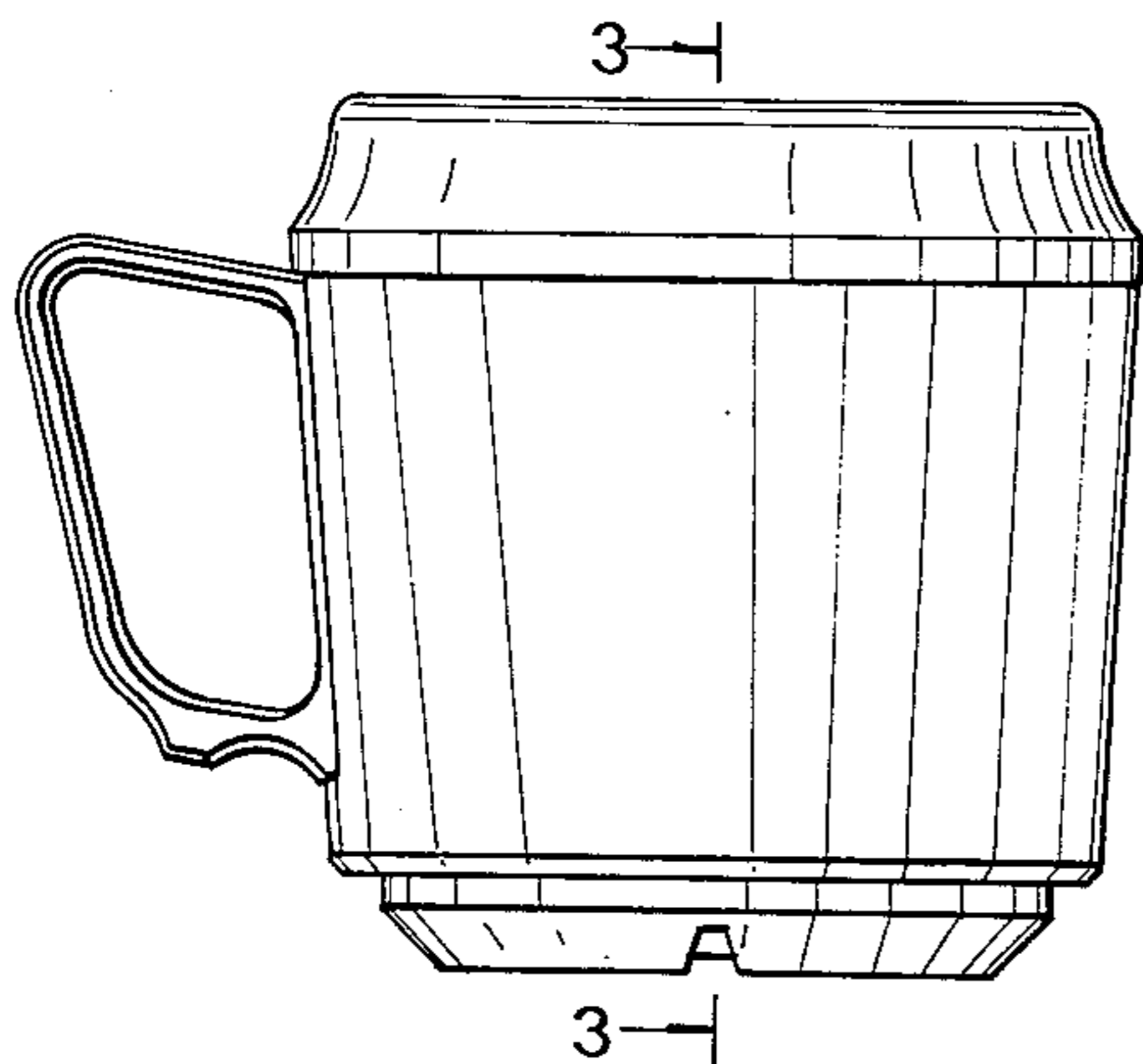
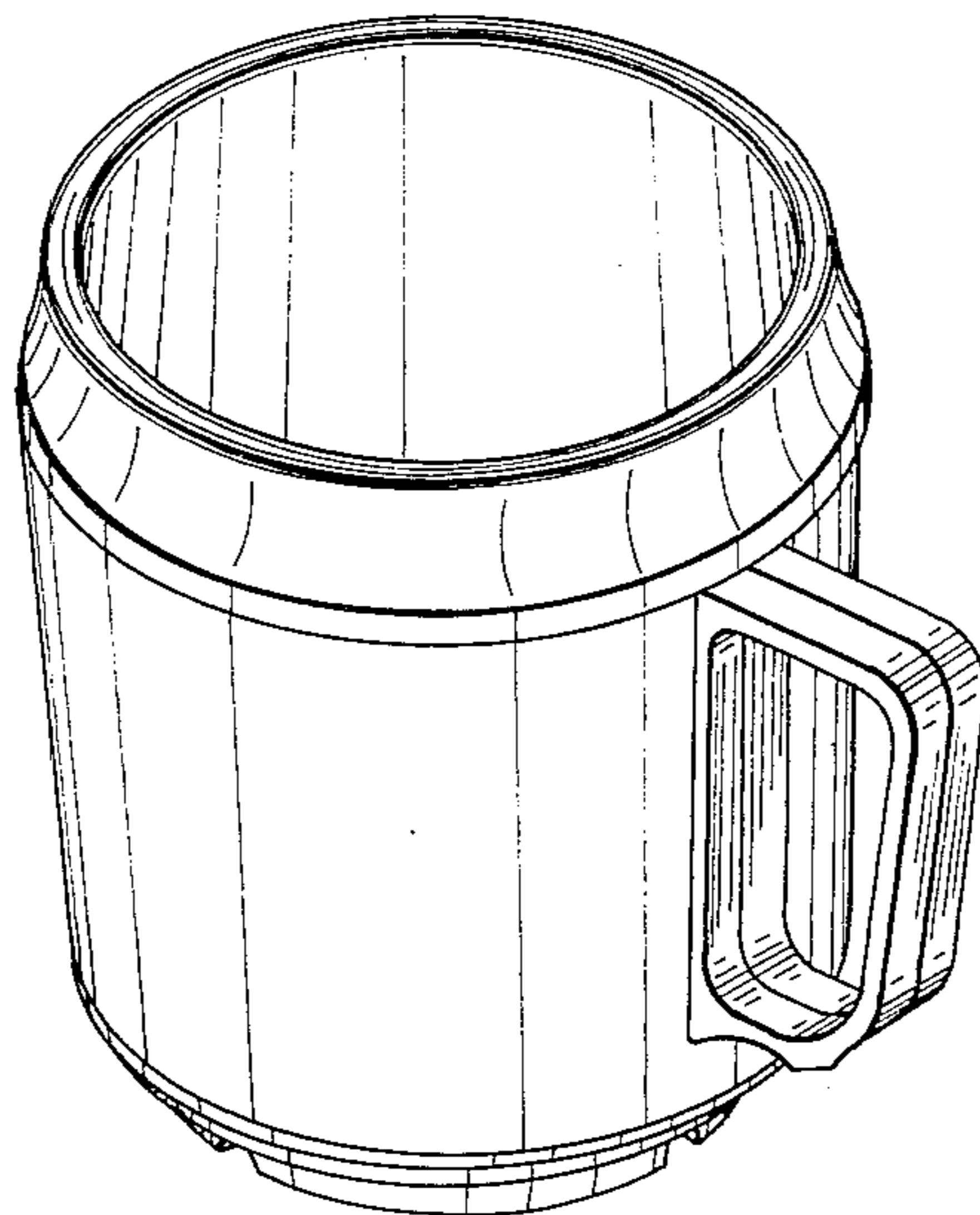
Primary Examiner—Winifred E. Herrmann
Attorney, Agent, or Firm—Curtis, Morris & Safford

[57] CLAIM

The ornamental design for an insulated cup, as shown.

DESCRIPTION

FIG. 1 is a top, front and right side perspective view of an insulated cup showing my new design;
 FIG. 2 is a rear elevational view thereof;
 FIG. 3 is a sectional view taken along the line 3—3 of FIG. 2;
 FIG. 4 is a left side elevational view thereof;
 FIG. 5 is a right side elevational view thereof;
 FIG. 6 is a top plan view thereof; and
 FIG. 7 is a bottom plan view thereof.



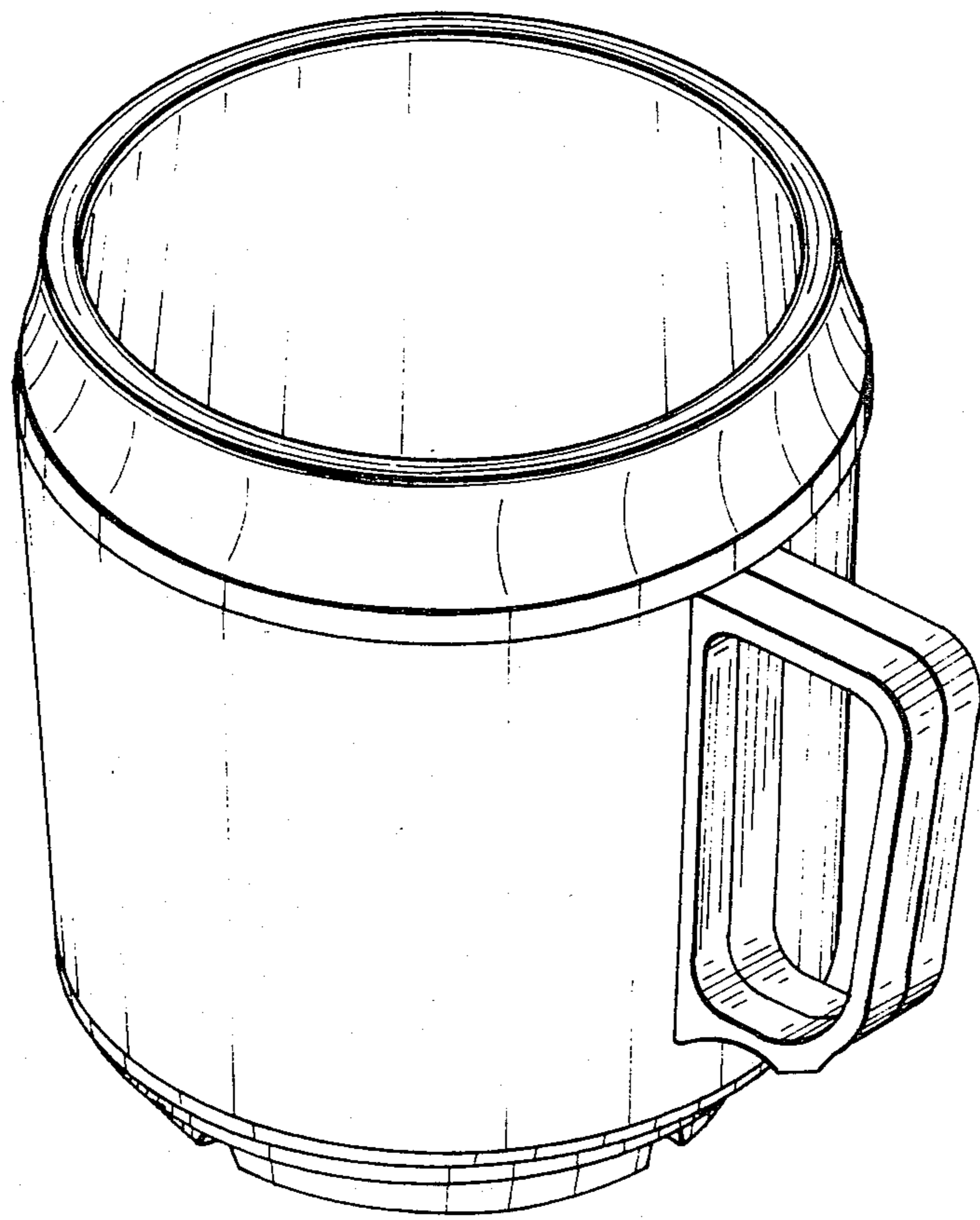


FIG. 1

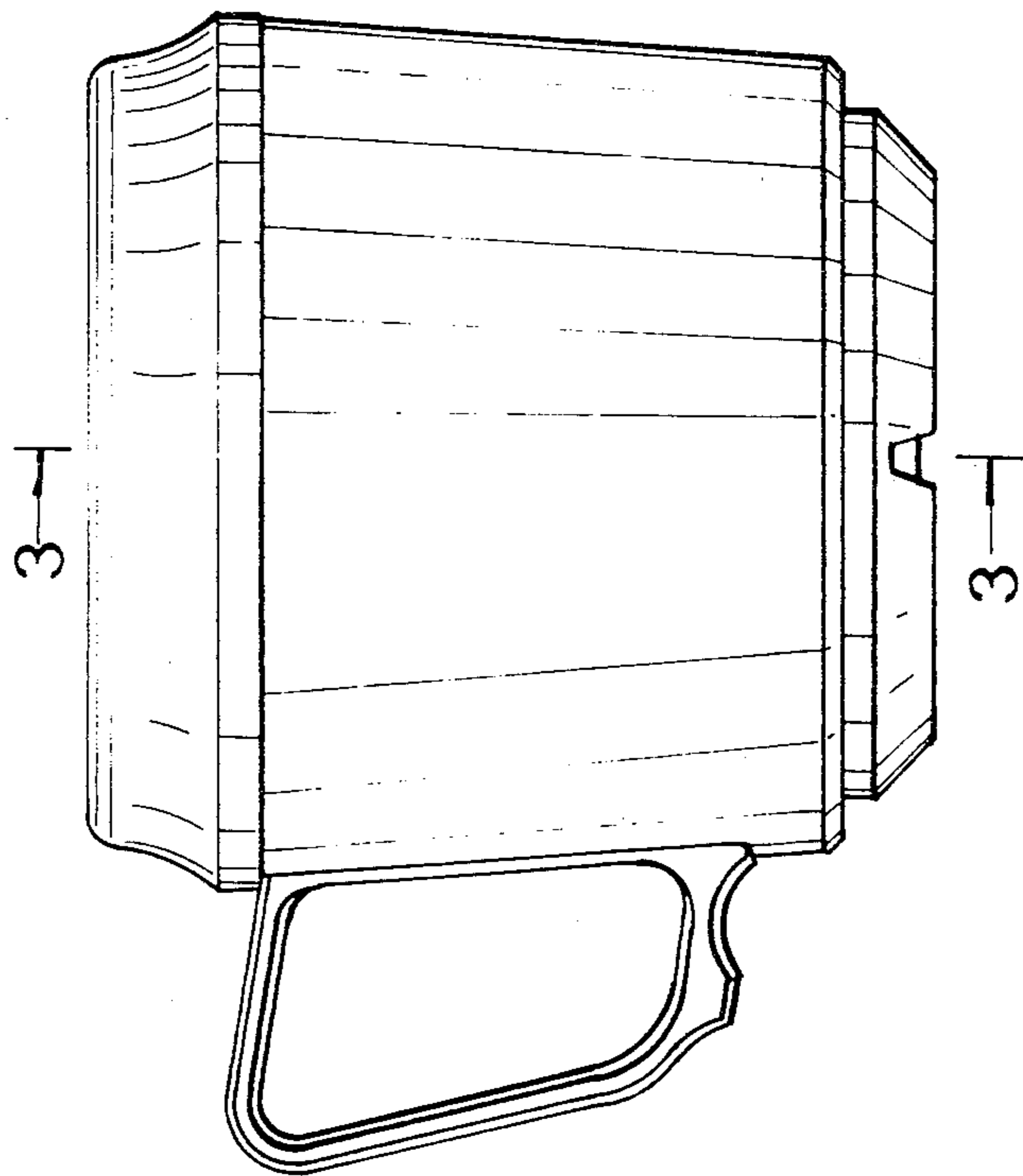


FIG. 2

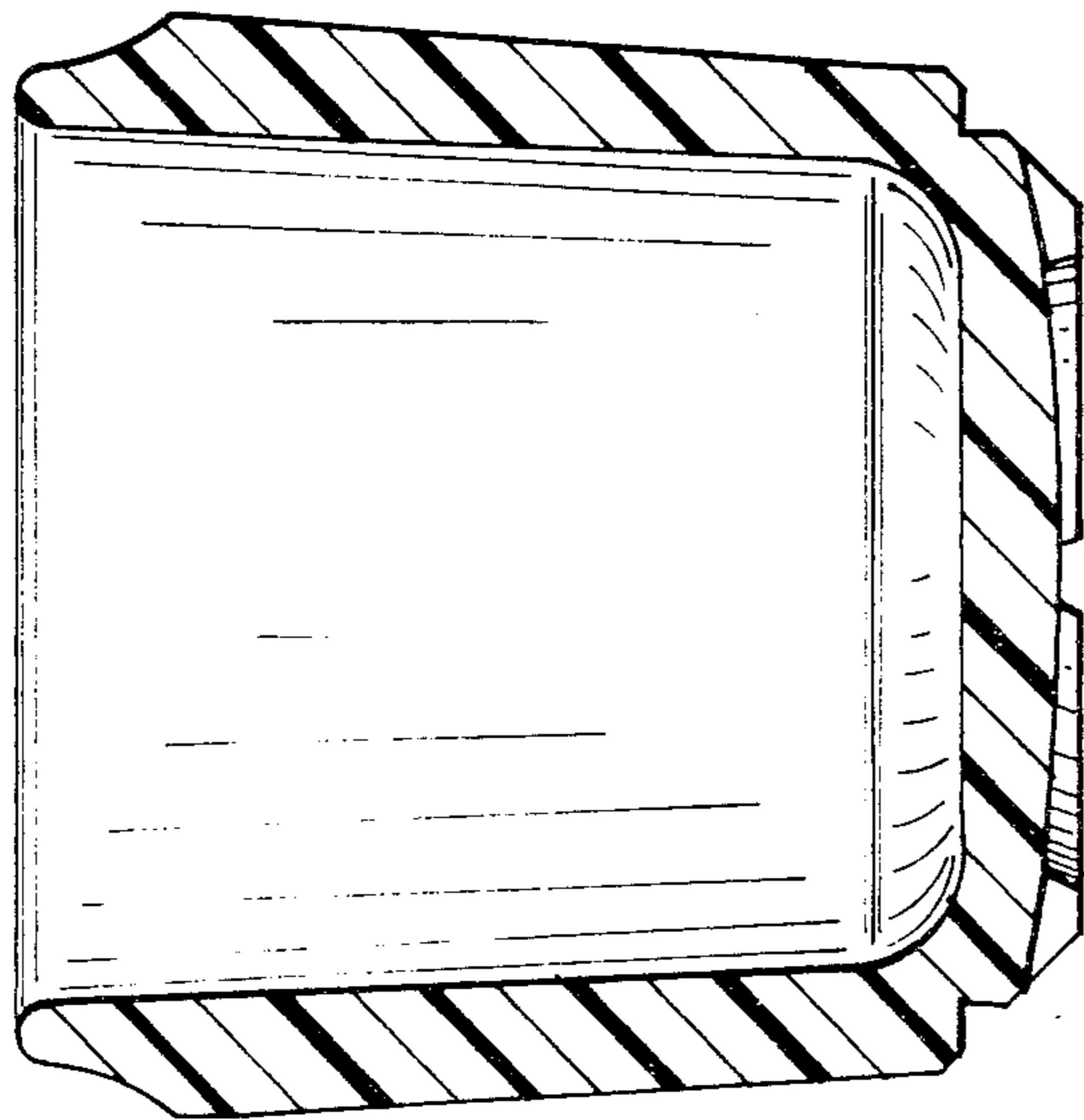


FIG. 3

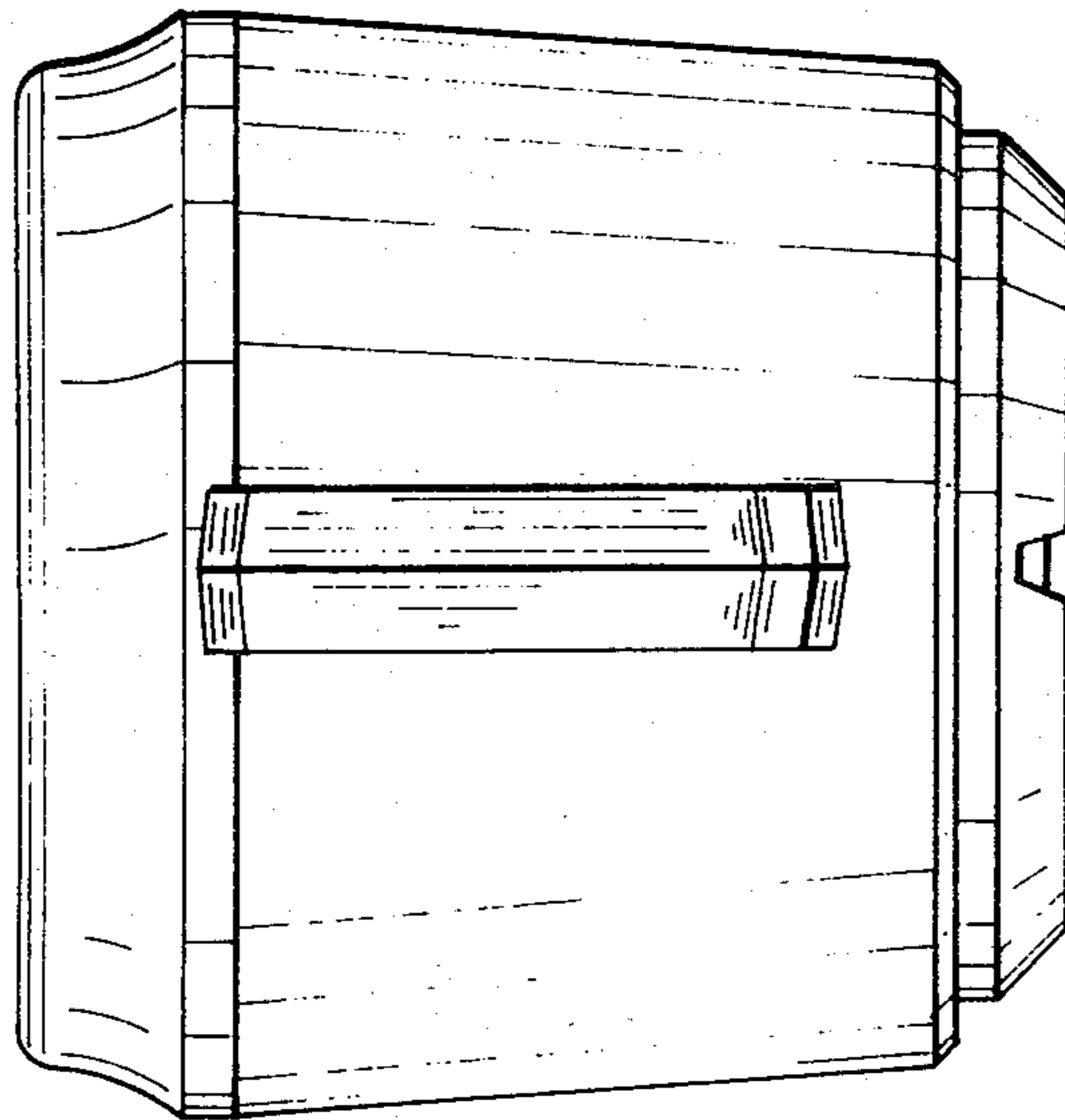


FIG. 5

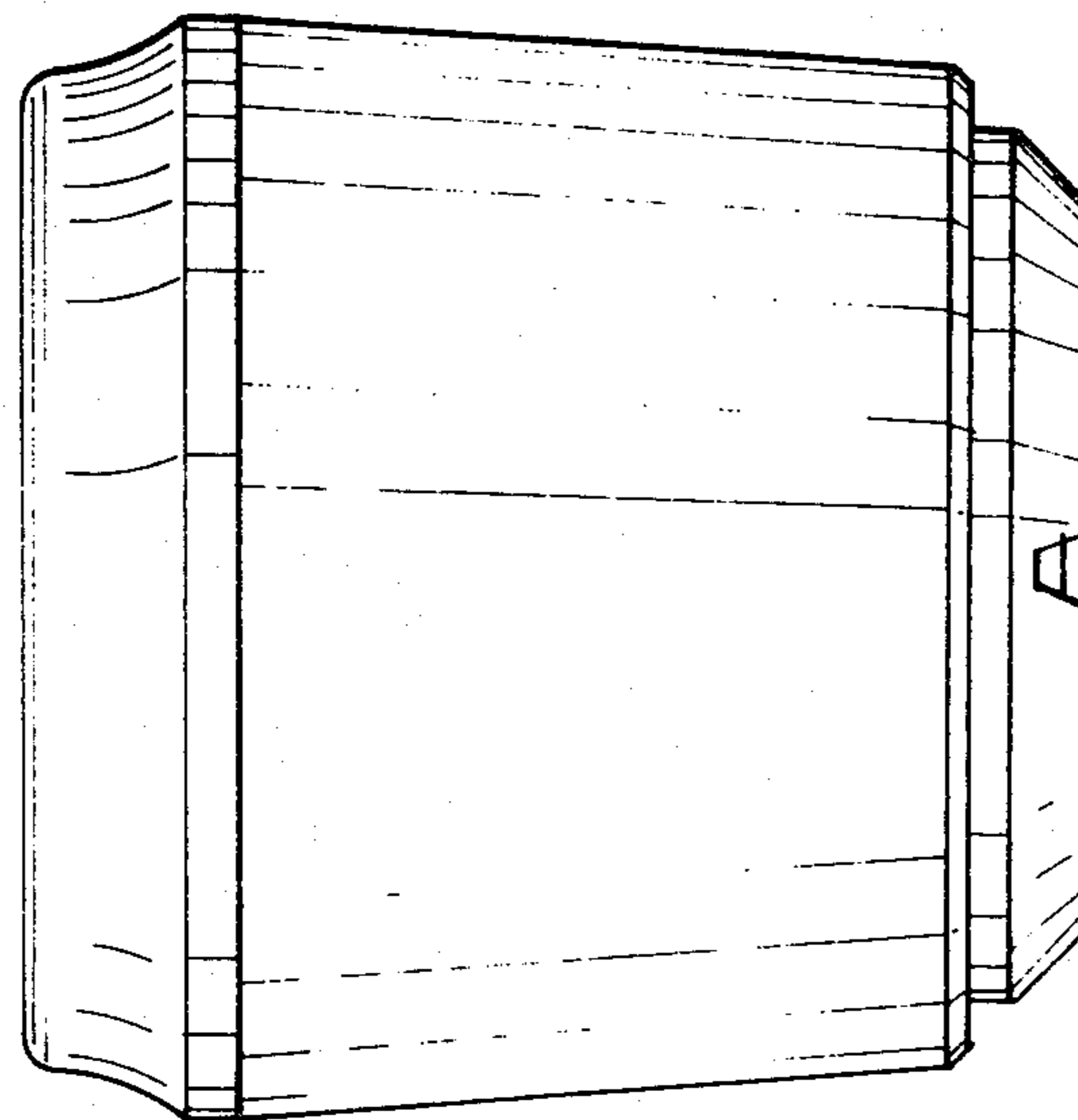


FIG. 4

FIG. 6

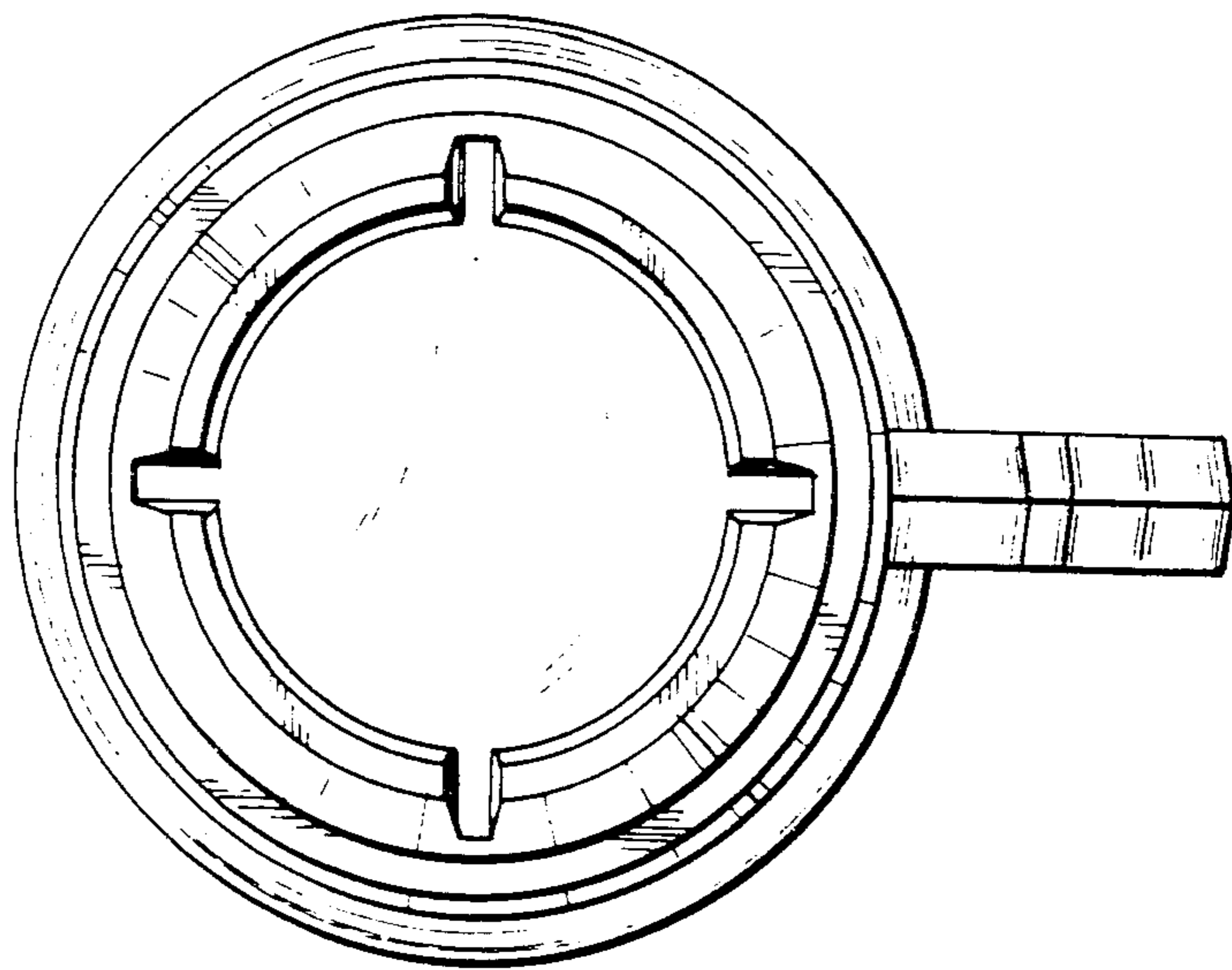
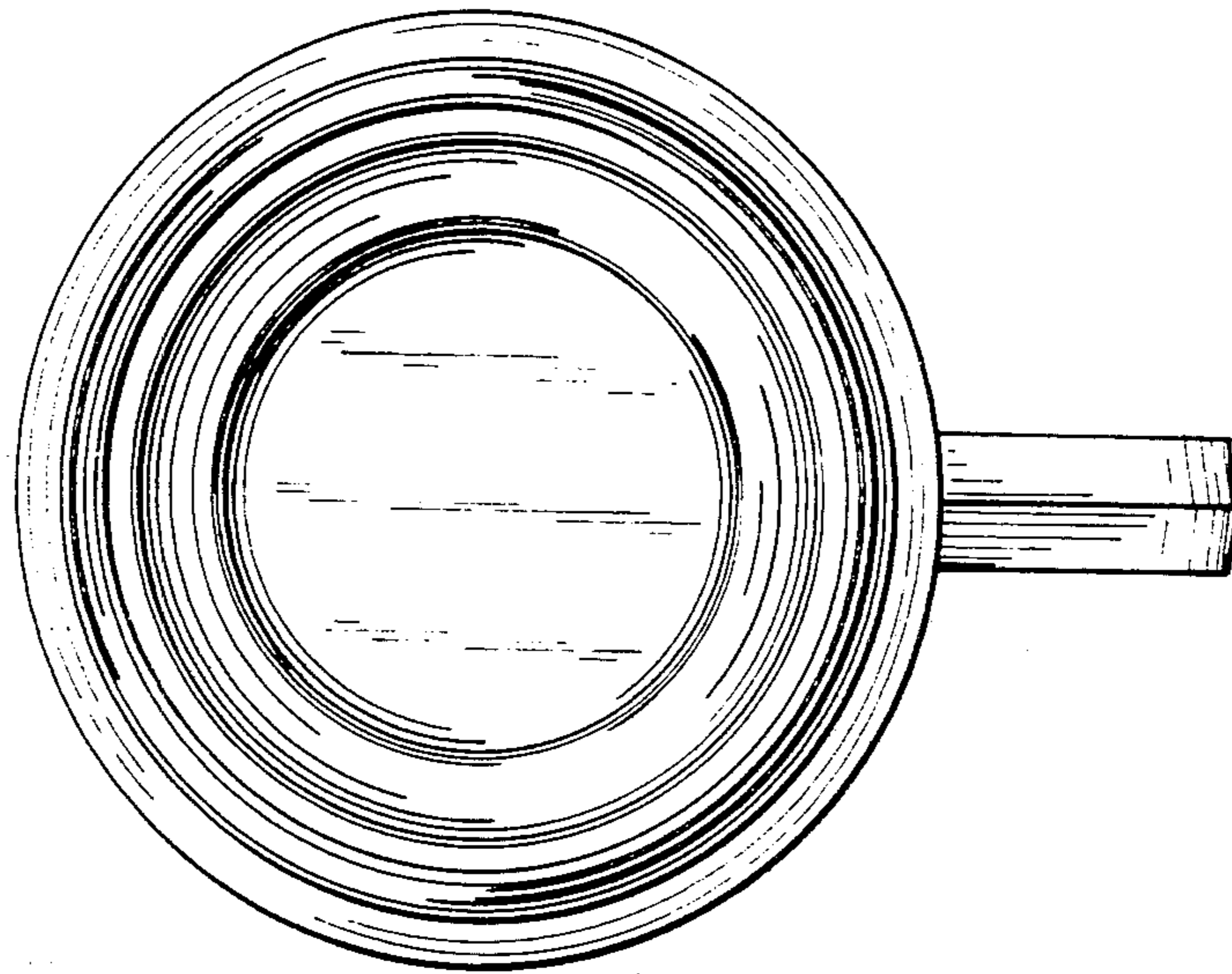


FIG. 7