

# United States Patent [19]

Aronowitz et al.

[11] Patent Number: **Des. 277,916**

[45] Date of Patent: **\*\* Mar. 12, 1985**

[54] **ARM REST**

[75] Inventors: **Robert Aronowitz, New York;**  
**Bernard Katzanek, Brooklyn, both of**  
**N.Y.**

[73] Assignee: **Simmons Universal Corporation,**  
**New York, N.Y.**

[\*\*] Term: **14 Years**

[21] Appl. No.: **462,657**

[22] Filed: **Jan. 31, 1983**

[52] U.S. Cl. .... **D6/501**

[58] Field of Search ..... **D6/194, 67-73,**  
**D6/31**

[56] **References Cited**  
**PUBLICATIONS**

Interiors, Dec. 1979, p. 20, Chair top center by Samsomite.

Interiors, Jan. 1977, p. 48, Chair top center background. Global Upholstery Co. Catalog ©1977, outside front cover, Armchair left center.

*Primary Examiner*—Bruce W. Dunkins

[57] **CLAIM**

The ornamental design for an arm rest, as shown.

**DESCRIPTION**

FIG. 1 is a front perspective view of an arm rest according to the invention;

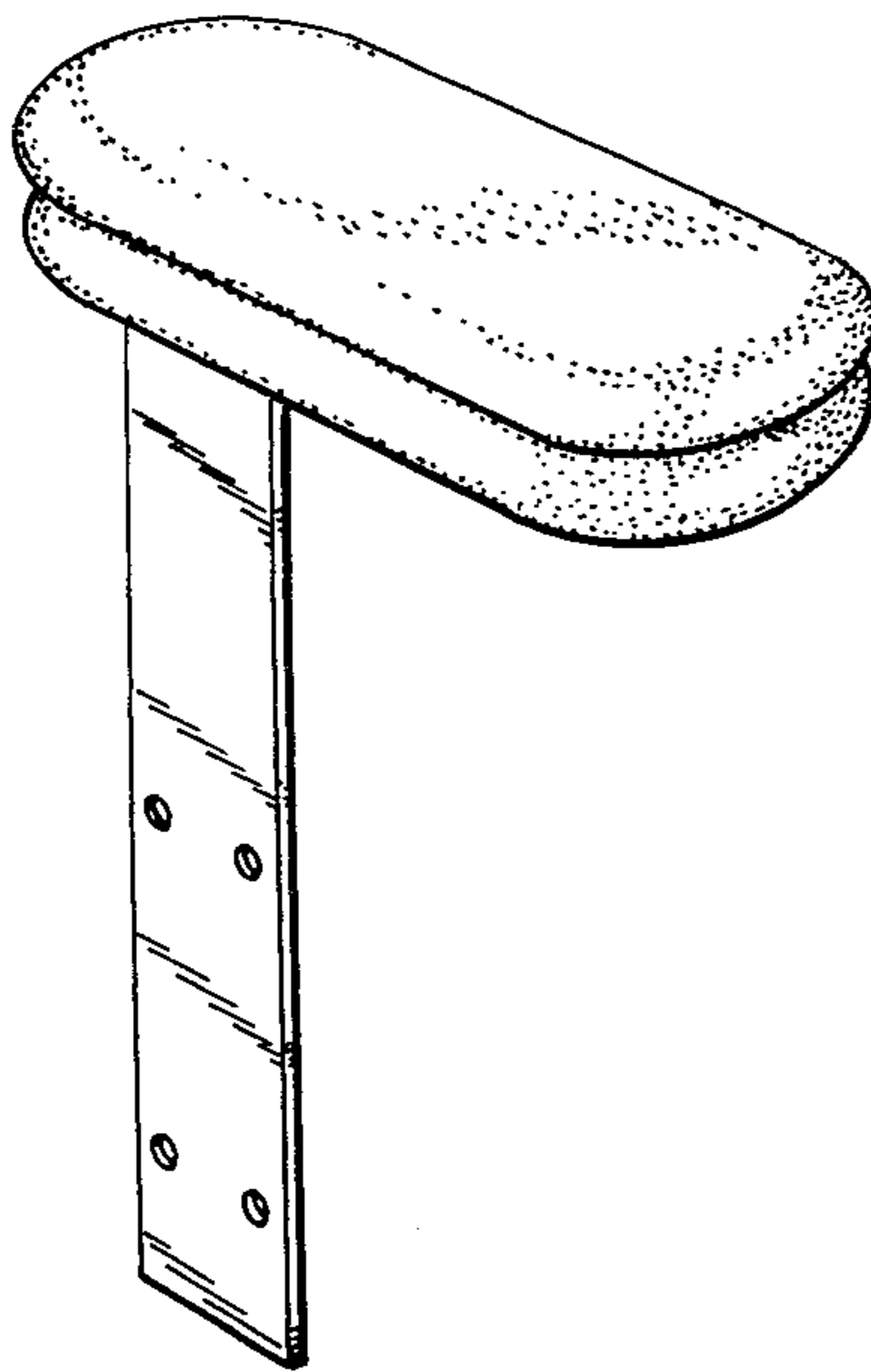
FIG. 2 is a rear perspective view thereof;

FIG. 3 is a top plan view thereof;

FIG. 4 is a bottom view thereof;

FIG. 5 is a side elevation view thereof; and

FIG. 6 is a front elevational view thereof.



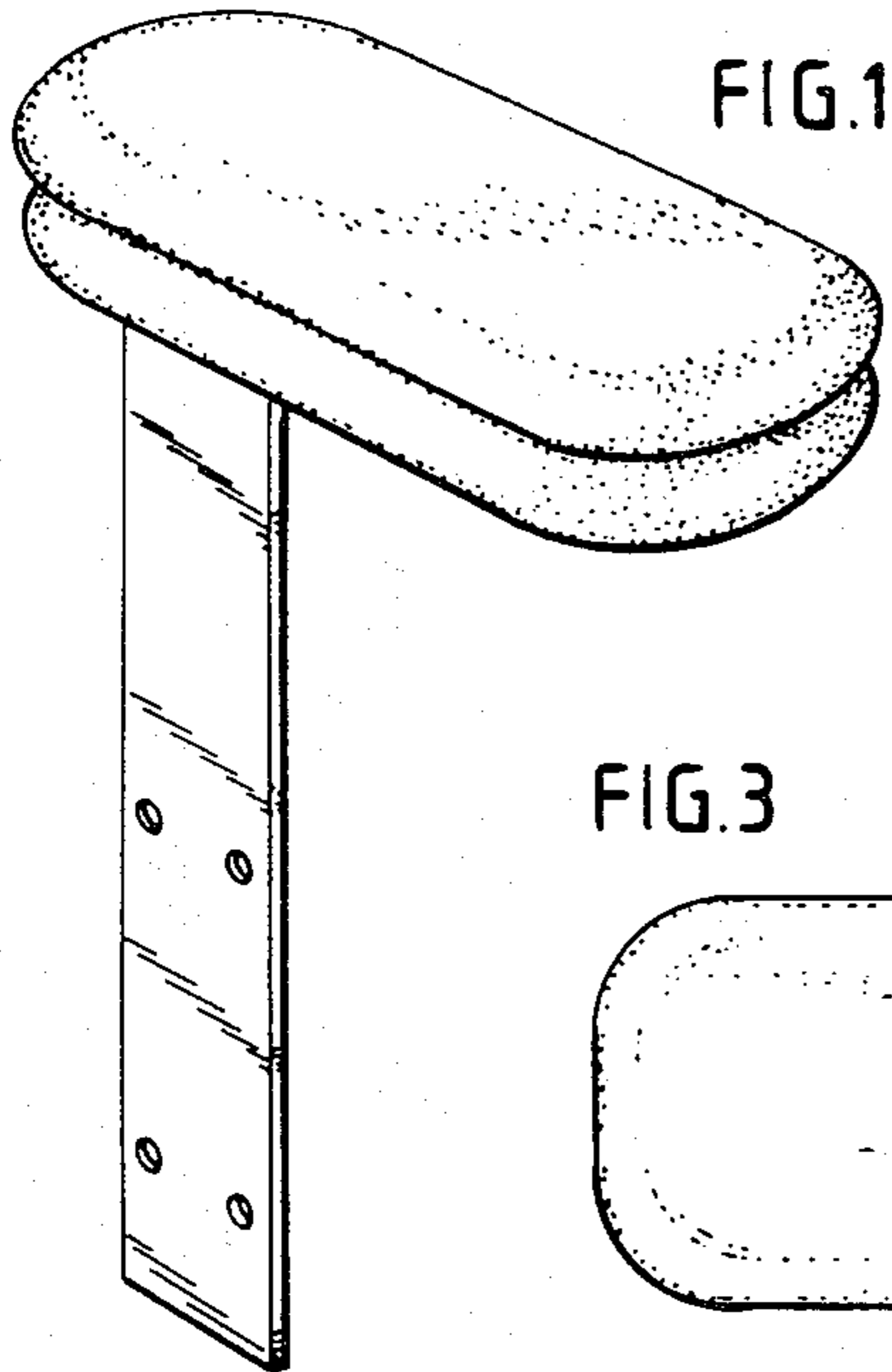


FIG. 1

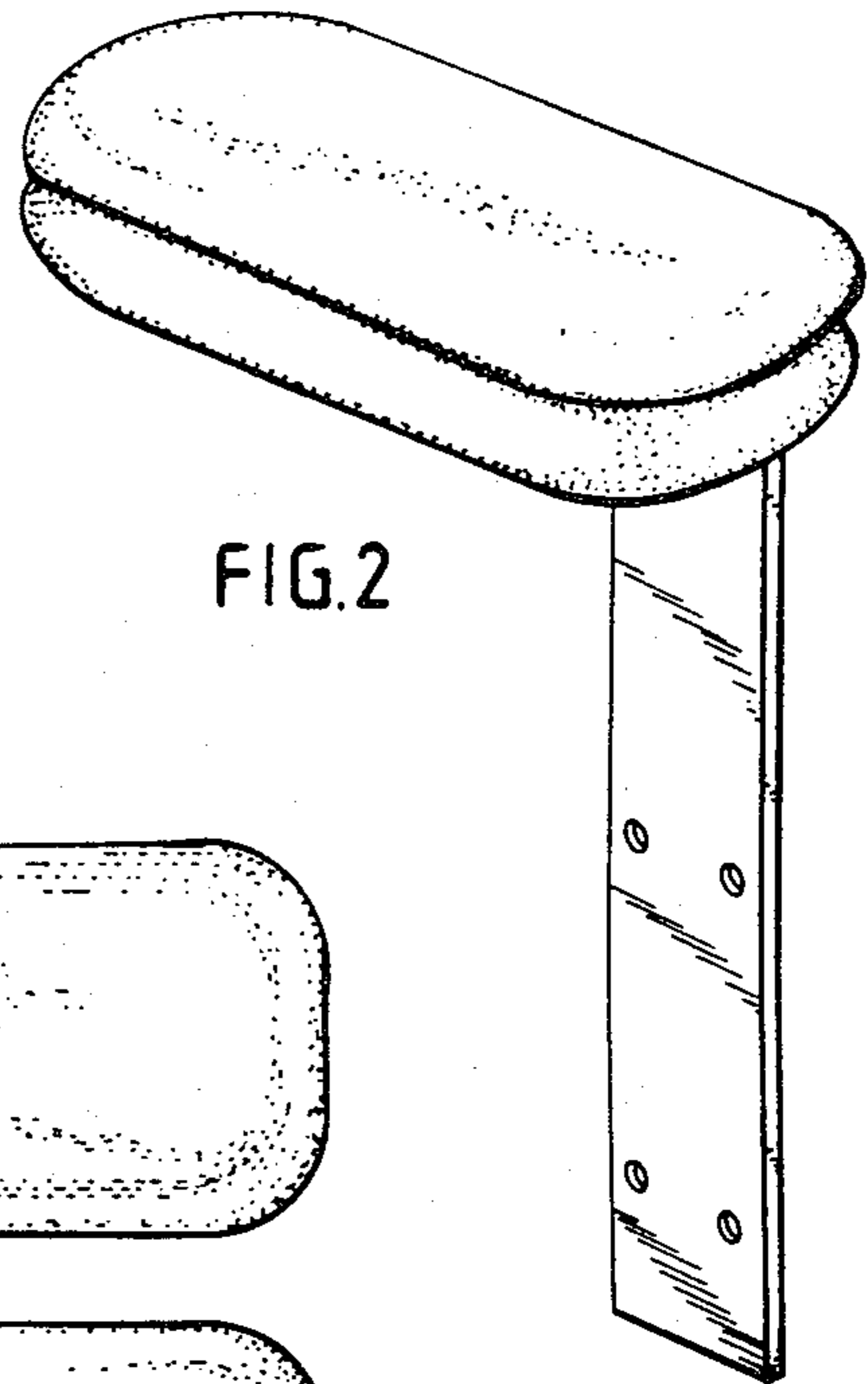


FIG. 2

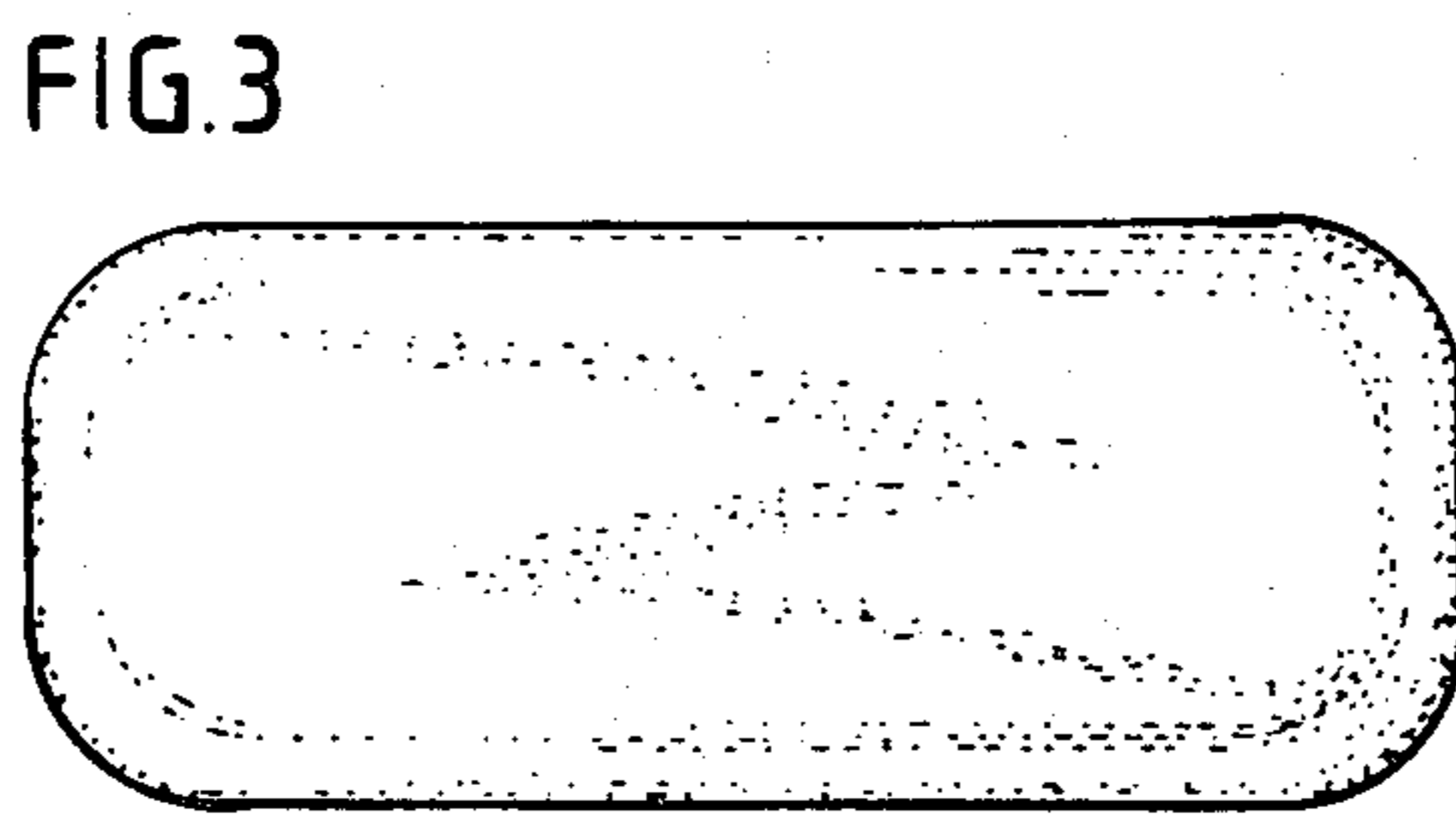


FIG. 3

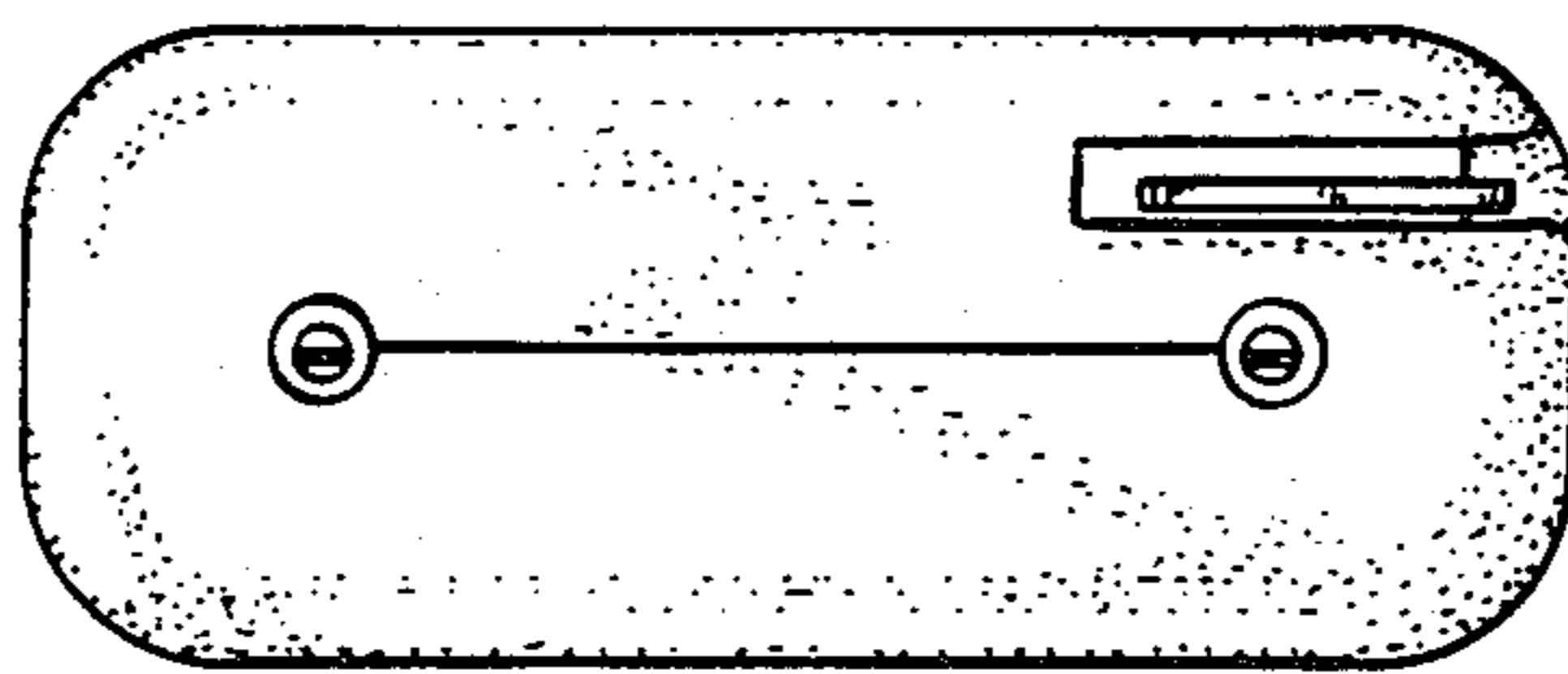


FIG. 4

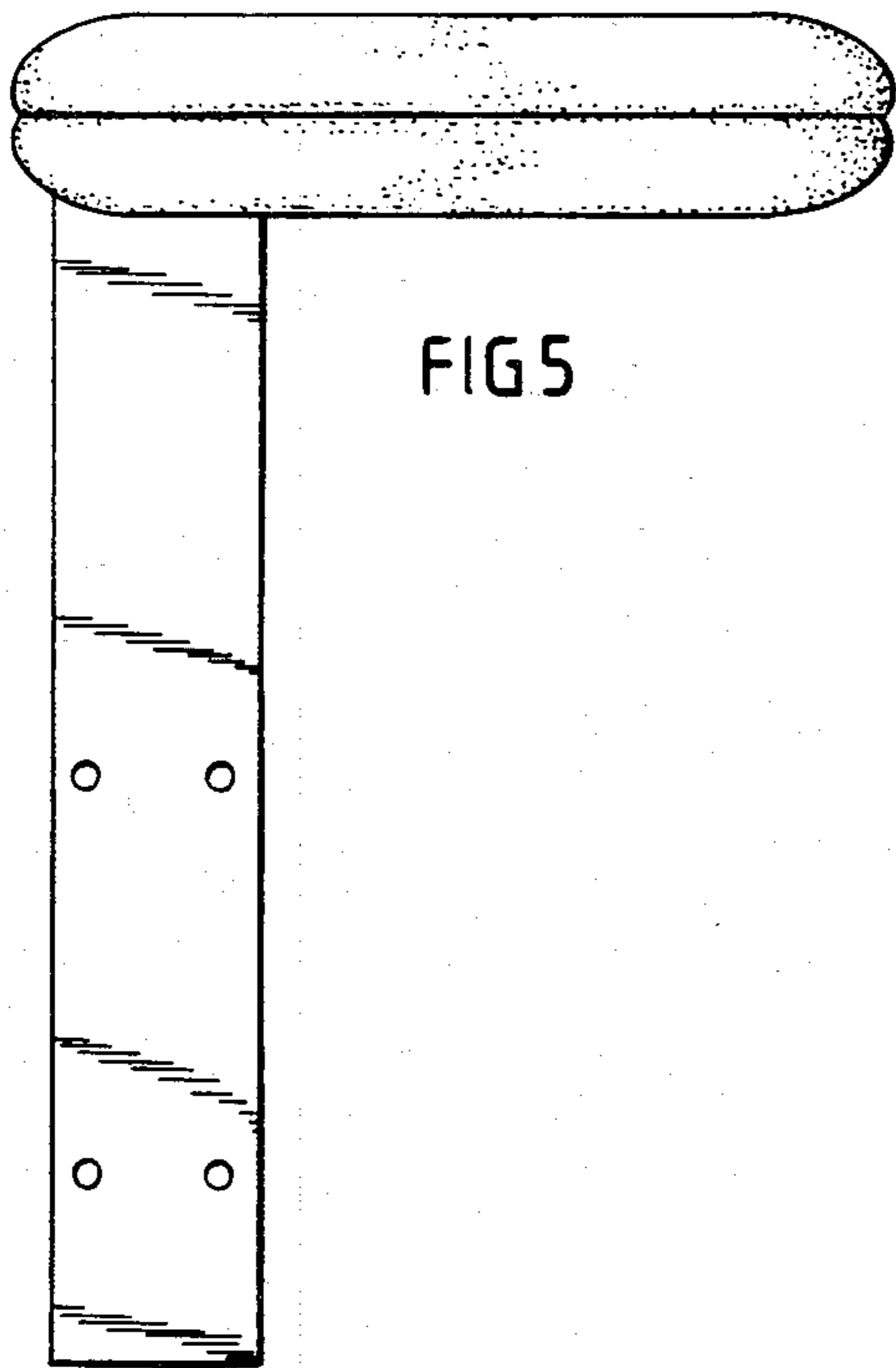


FIG. 5

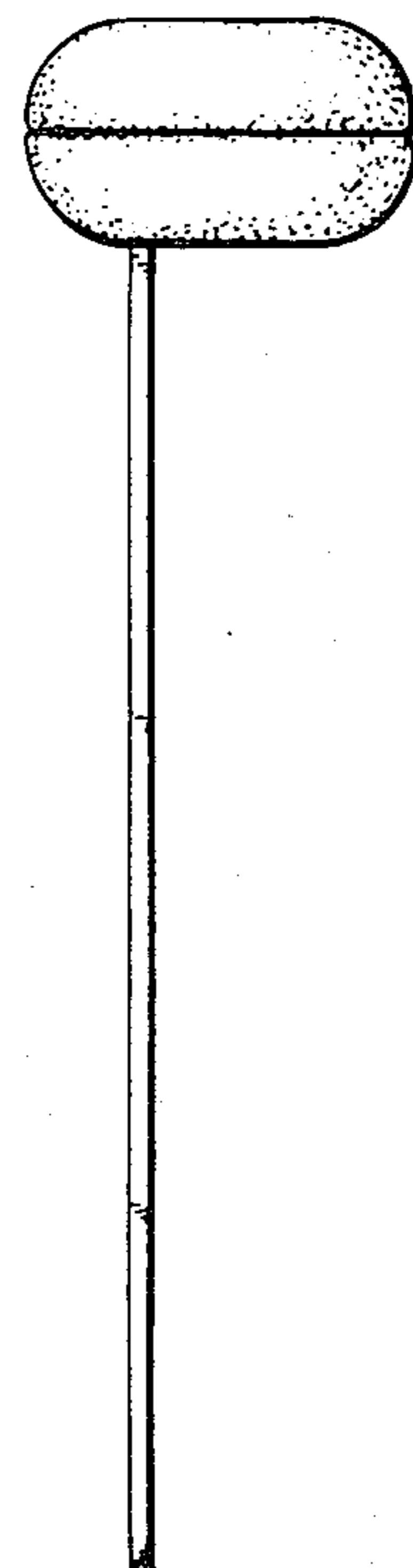


FIG. 6