

[54] **DISPENSING SHELF ATTACHMENT**

[76] **Inventor: Frank P. Field, 854 Napoli Dr., Pacific Palisades, Calif. 90272**

[**] **Term: 14 Years**

[21] **Appl. No.: 431,752**

[22] **Filed: Sep. 28, 1982**

[52] **U.S. Cl. D6/574**

[58] **Field of Search D6/85, 181, 191; 211/49 D, 51; 312/35, 42, 45, 72**

[56] **References Cited**

U.S. PATENT DOCUMENTS

- D. 135,459 4/1943 Hearn D6/191
- D. 135,460 4/1943 Hearn D6/191
- 1,244,694 10/1917 Blood 211/51

- 1,682,580 8/1928 Pratt .
- 1,959,614 5/1934 Coons .
- 2,222,887 11/1940 Willey .
- 2,435,104 1/1948 Solomon .
- 2,543,681 2/1951 Voos 211/49 D
- 2,656,233 10/1953 Bollmann .
- 2,732,952 1/1956 Skelton .
- 3,357,597 12/1967 Groff .

Primary Examiner—Carmen H. Vales
Attorney, Agent, or Firm—Hubbard & Stetina

[57] **CLAIM**

The ornamental design for a dispensing shelf attachment, as shown and described.

DESCRIPTION

FIG. 1 is a front perspective view of a dispensing shelf attachment showing my new design; and FIG. 2 is a rear perspective view thereof.

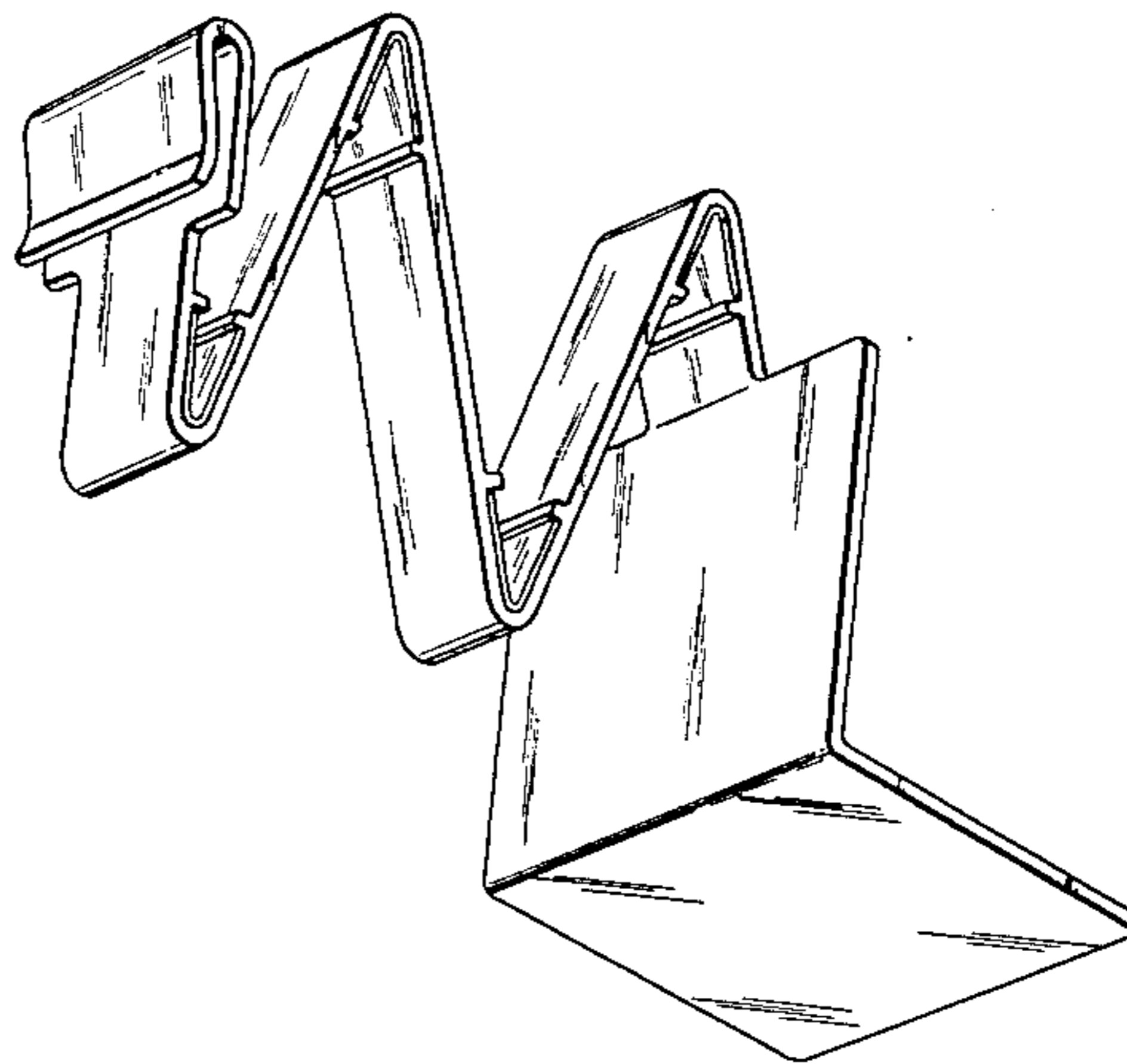
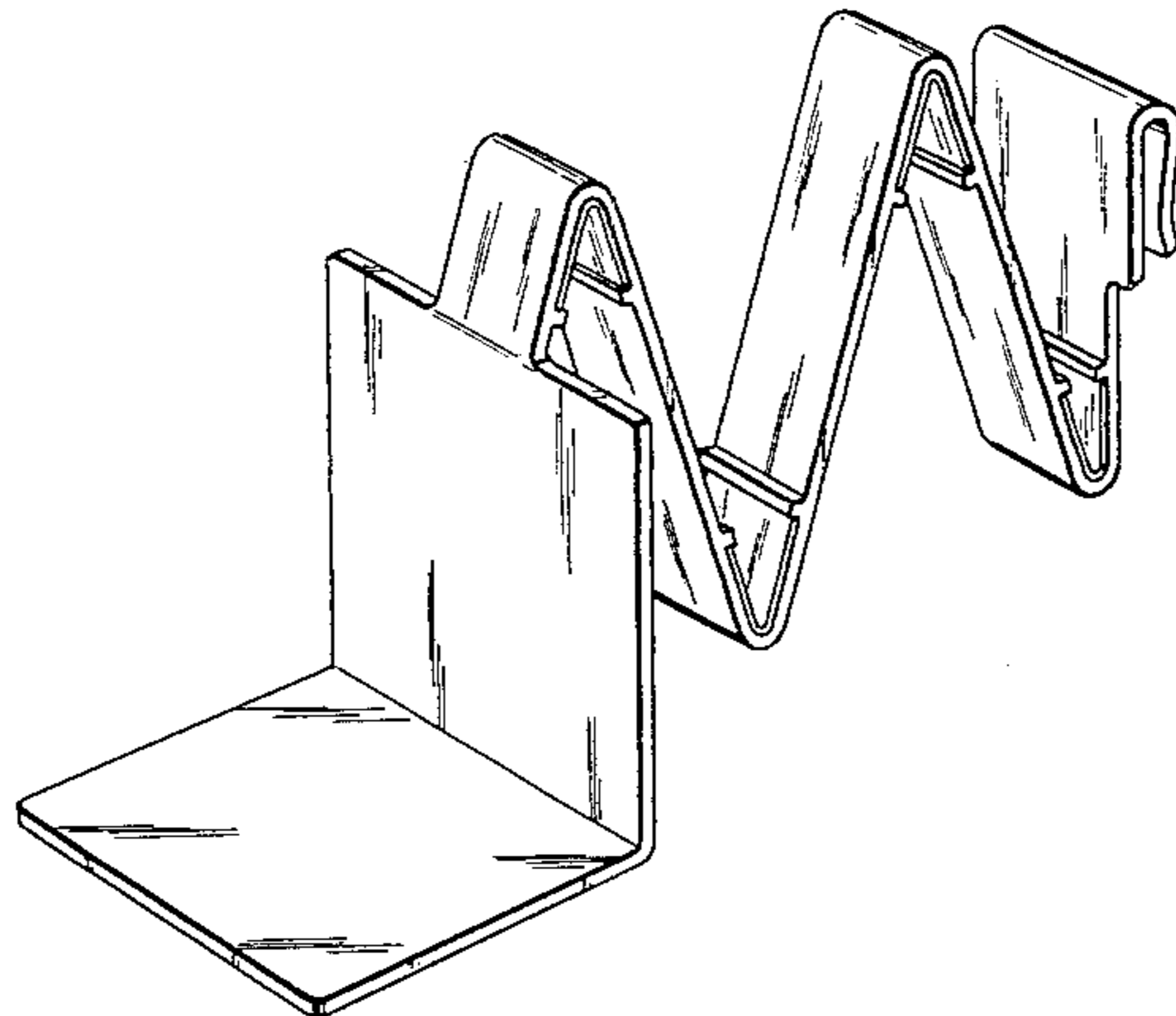


Fig. 1

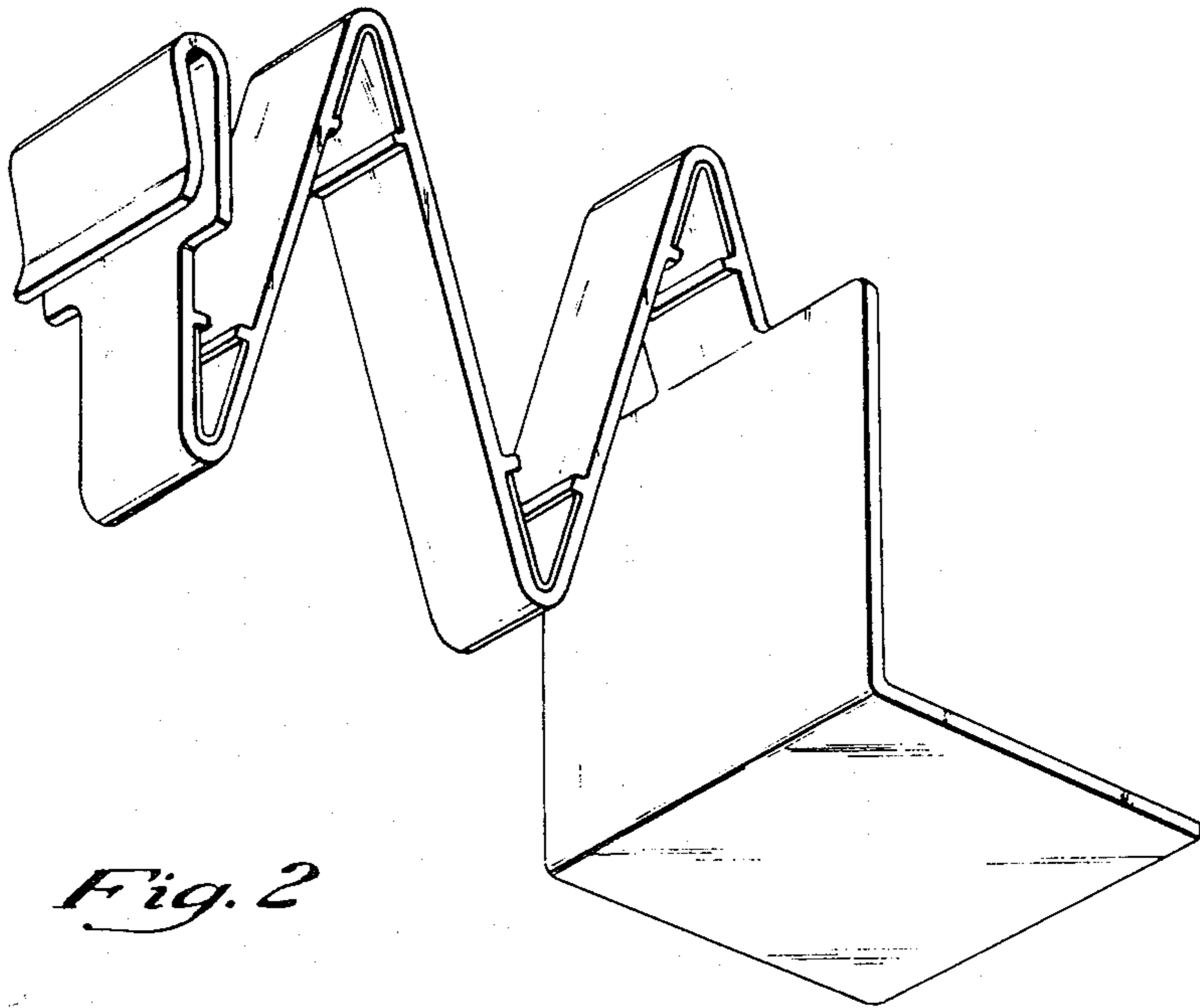
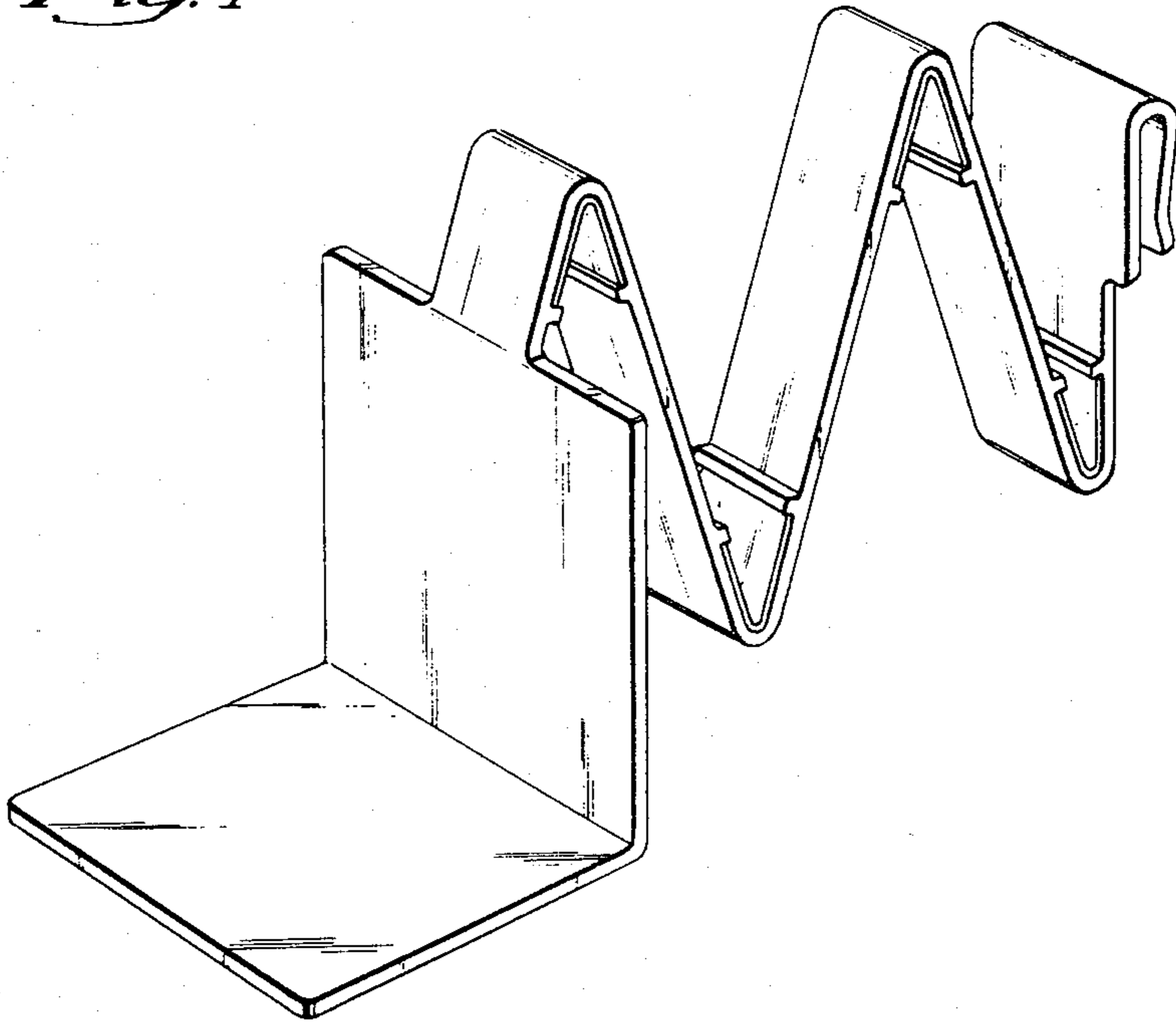


Fig. 2