

[54] **STAND FOR DISPLAY AND KEYBOARD OR THE LIKE**

[75] **Inventor: Ralph A. Haus, Austin, Tex.**

[73] **Assignee: International Business Machines Corporation, Armonk, N.Y.**

[**] **Term: 14 Years**

[21] **Appl. No.: 363,987**

[22] **Filed: Mar. 31, 1982**

[52] **U.S. Cl. D6/431; D6/426**

[58] **Field of Search D14/100, 101, 105-116; 340/700, 711, 365 R; D6/186, 191, 199; 312/223, 119, 208, 196; 248/346, 551**

[56] **References Cited**

U.S. PATENT DOCUMENTS

D. 258,791 4/1981 Verdesca D6/186
3,862,785 1/1975 Scheerhorn et al. 312/223

FOREIGN PATENT DOCUMENTS

3003017 7/1981 Fed. Rep. of Germany 312/196

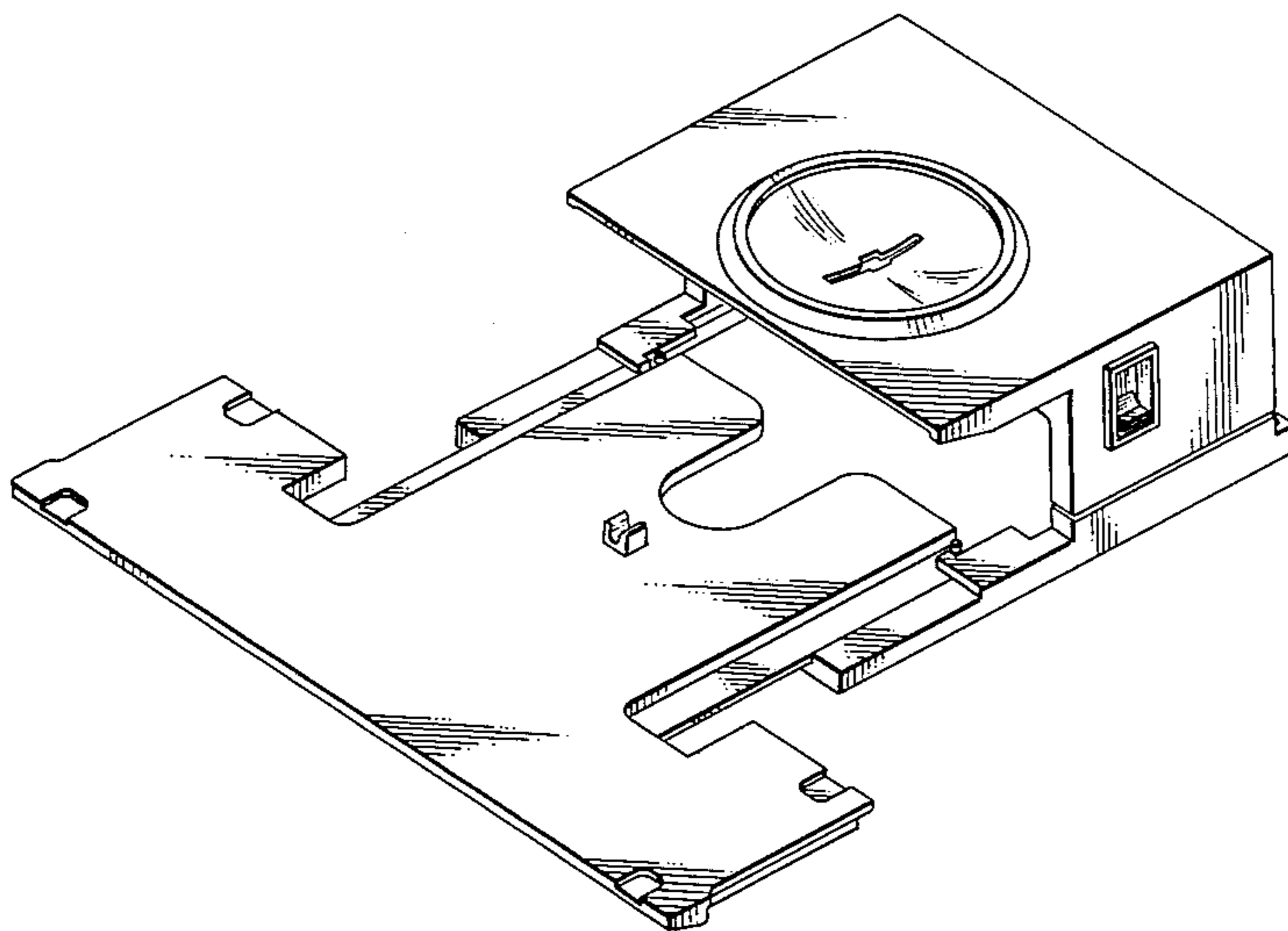
Primary Examiner—Susan J. Lucas
Attorney, Agent, or Firm—John W. Henderson, Jr.;
Douglas H. Lefevre

[57] **CLAIM**

The ornamental design for a stand for display and keyboard or the like, as shown and described.

DESCRIPTION

FIG. 1 is a front perspective view of a stand for display and keyboard or the like, showing my new design;
FIG. 2 is a front perspective view thereof, with the keyboard support in the retracted position, the display and keyboard being shown in broken lines for illustrative purposes only;
FIG. 3 is a top plan view thereof on an enlarged scale;
FIG. 4 is a front elevational view thereof on an enlarged scale;
FIG. 5 is a bottom view thereof on an enlarged scale;
FIG. 6 is a rear elevational view thereof on an enlarged scale;
FIG. 7 is a left side elevational view thereof on an enlarged scale; and
FIG. 8 is a right side elevational view thereof on an enlarged scale.



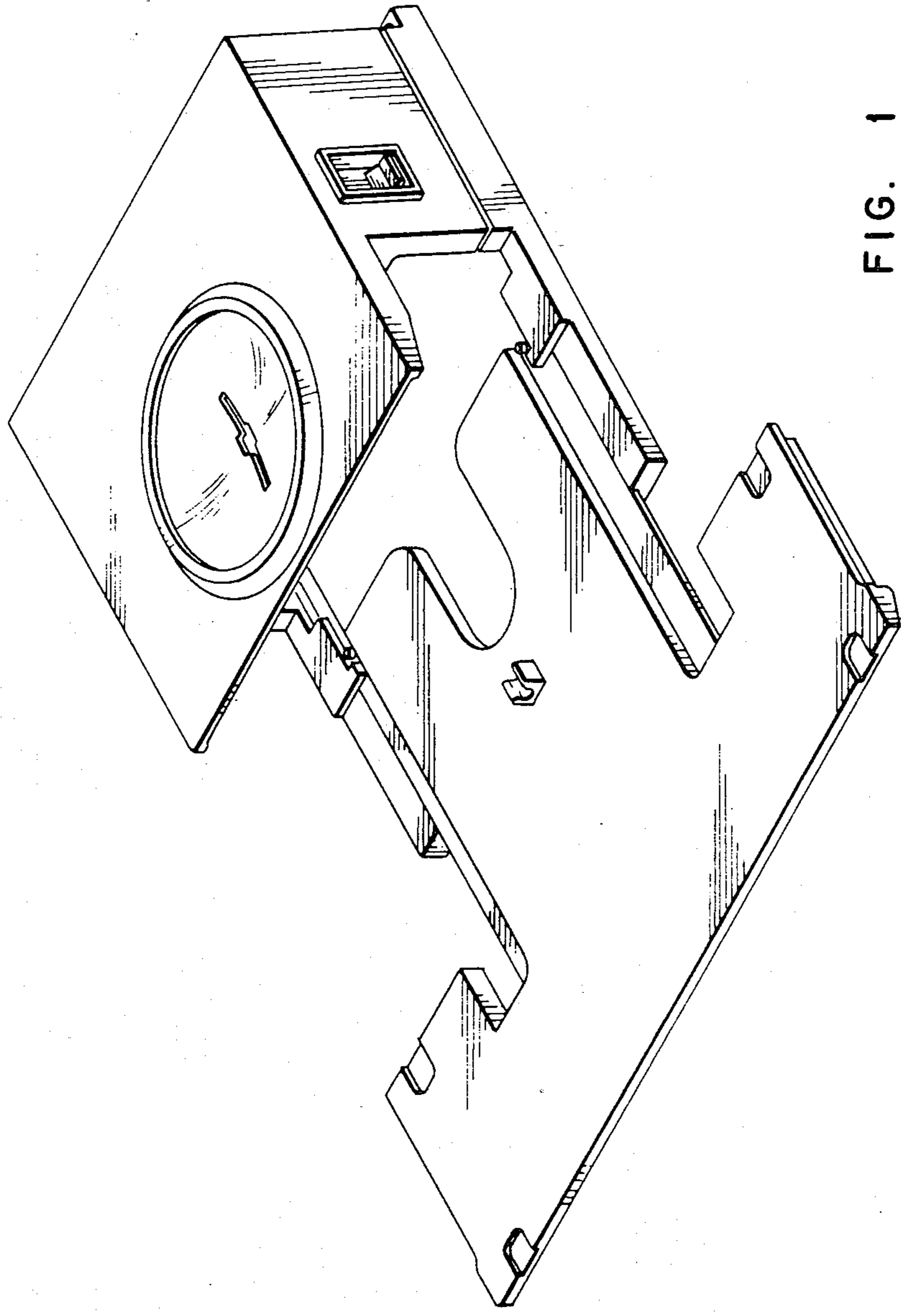


FIG. 1

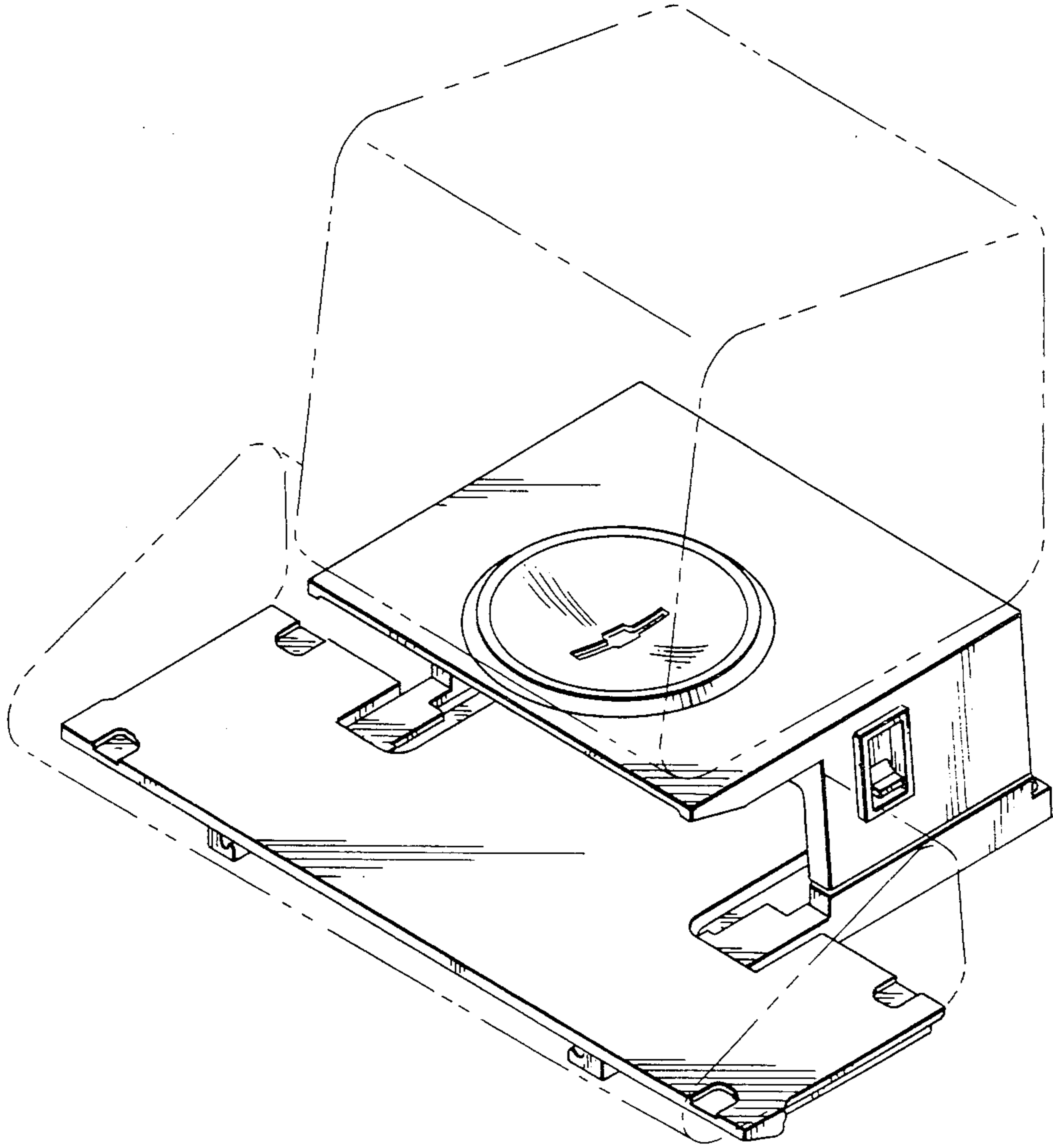
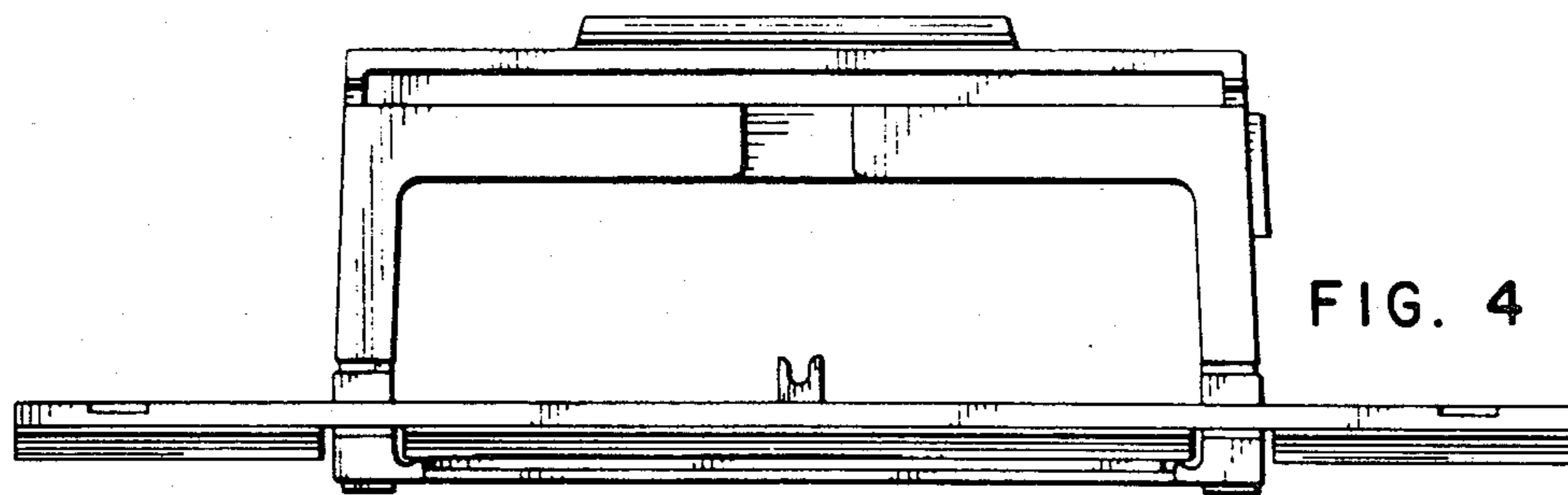
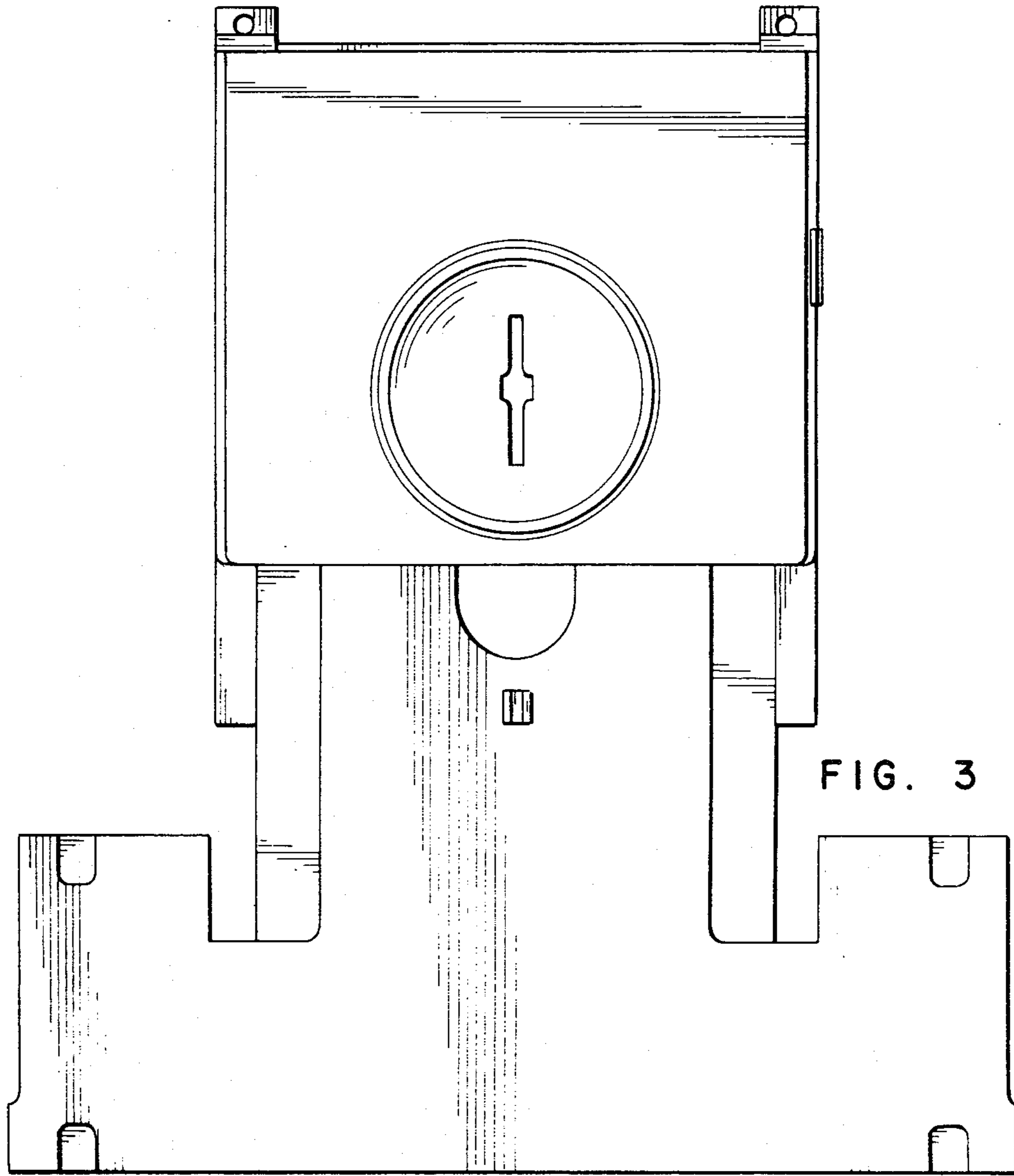
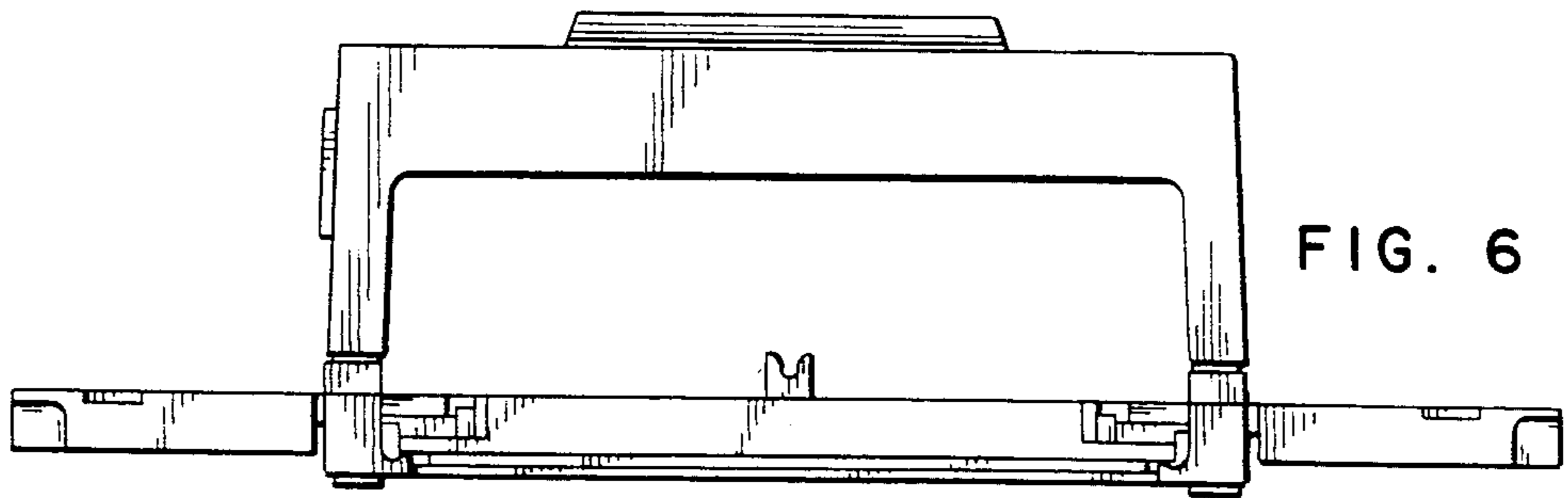
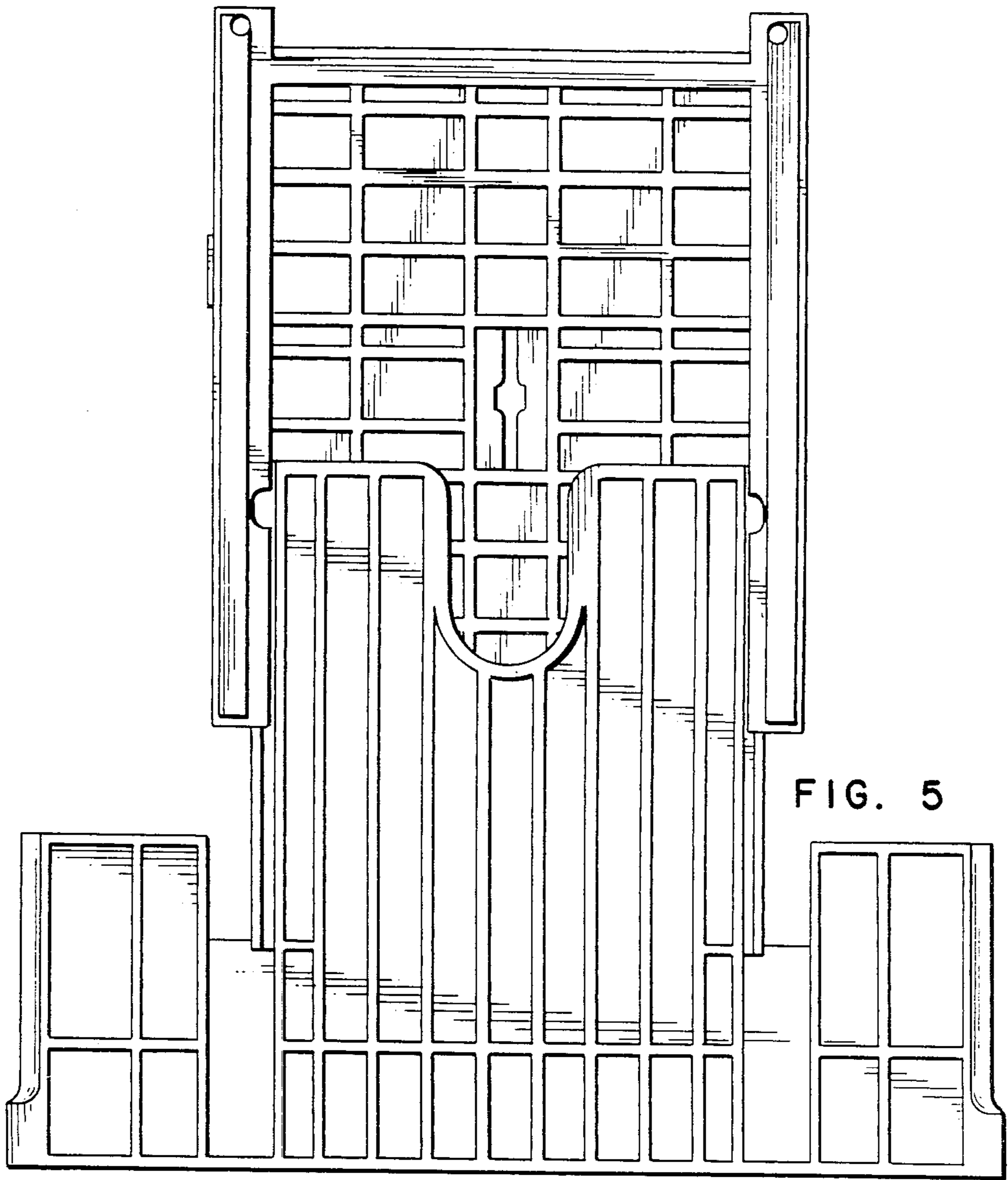


FIG. 2





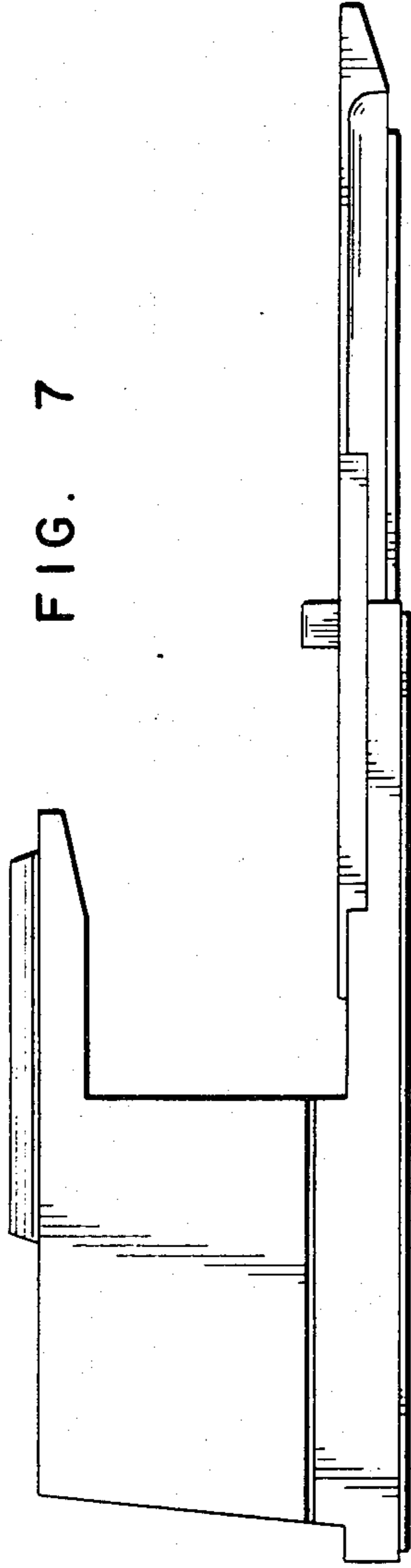


FIG. 7

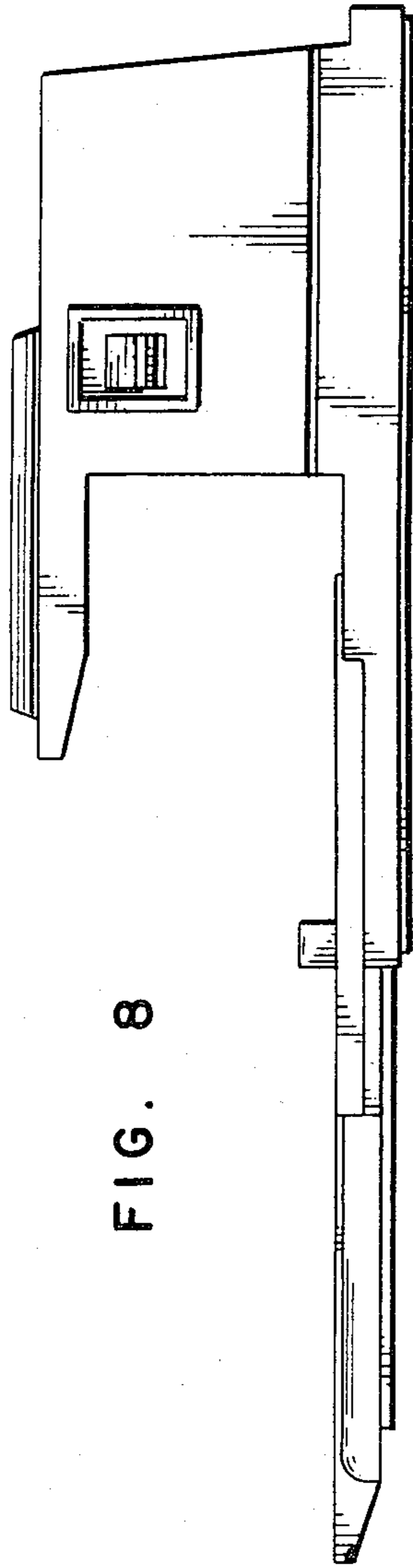


FIG. 8