

[54] **CASSETTE TAPE HOLDER**
[76] **Inventor: James W. Barber**, 6401 Miragrande Dr., Las Vegas, Nev. 89108
[**] **Term: 14 Years**
[21] **Appl. No.: 362,099**
[22] **Filed: Mar. 26, 1982**

Related U.S. Application Data

[63] Continuation-in-part of Ser. No. 118,645, Feb. 4, 1980, Pat. No. Des. 272,584.
[52] **U.S. Cl.** **D6/407; D3/35; D6/457**
[58] **Field of Search** **D6/85, 181, 184, 185, D6/186, 188, 189, 157, 114, 130, 132, 18, 20, 23, 24, 25, 27, 28, 146; D3/35; 206/307, 309, 387; 211/40, 41, 58, 78, 86, 163, 166; 312/10, 11**

[56] **References Cited**

U.S. PATENT DOCUMENTS

D. 210,295 2/1968 Treu D6/185 X
D. 234,325 2/1975 Snyder D3/35

3,092,256 6/1963 Vernik 211/40 X
3,341,266 9/1967 Schecter et al. 211/40 X
4,451,019 5/1984 Bensel 211/36 X

OTHER PUBLICATIONS

Interiors Jun. 1975, p. 150; Revolving Storage Unit by Lehigh Corp., top left on page.
Aloe Hospital Cat. ©1957; Revolving Chart File bottom left on page.

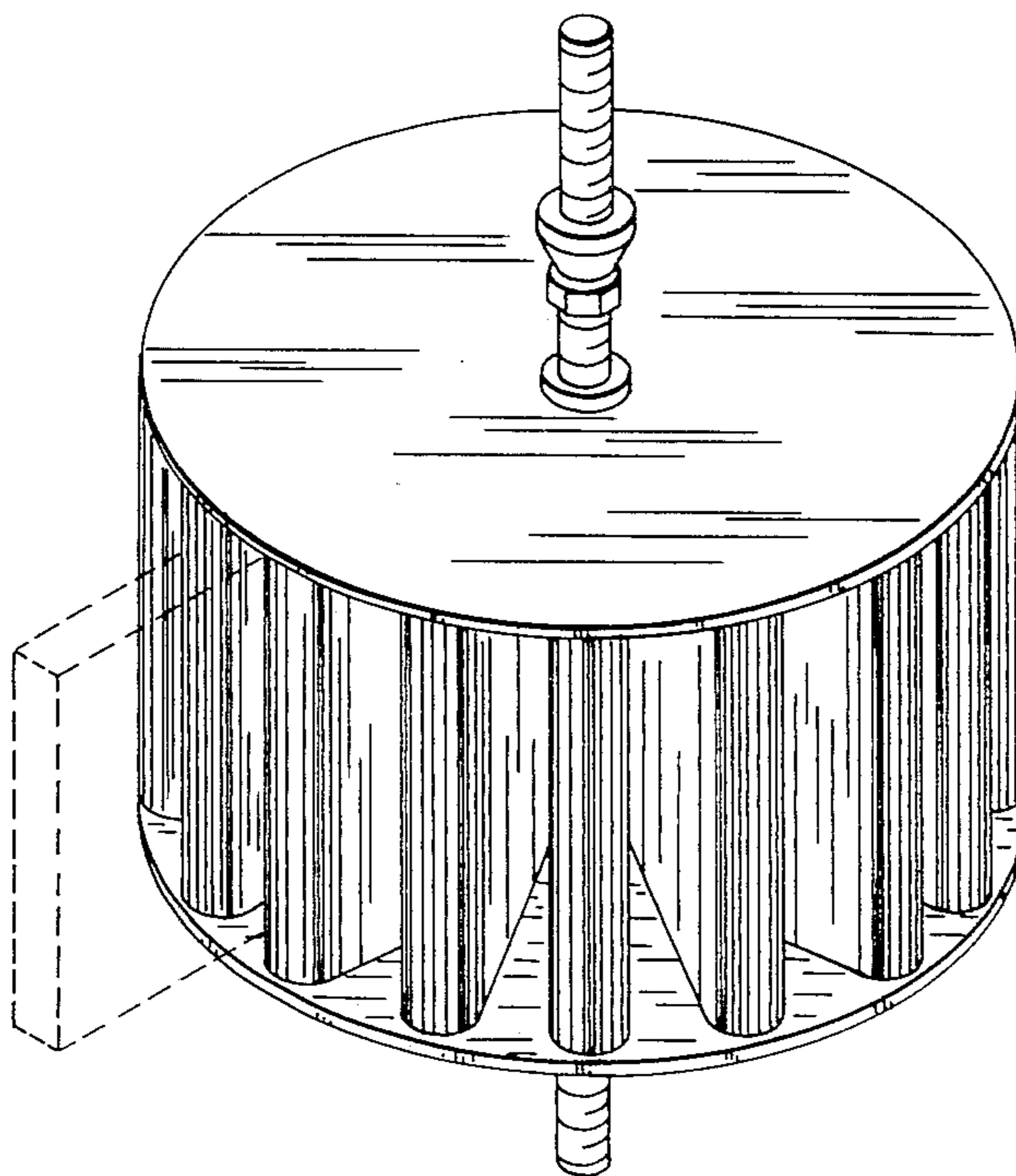
Primary Examiner—Carmen H. Vales
Attorney, Agent, or Firm—James E. Pittenger

[57] **CLAIM**

The ornamental design for a cassette tape holder, as shown and described.

DESCRIPTION

FIG. 1 is a perspective view of a cassette tape holder showing my new design, the broken line showing the outline of a cassette tape is for convenience of illustration only;
FIG. 2 is a side elevational view, the other side being a mirror image thereof; and
FIG. 3 is a top plan view, the bottom plan view being a mirror image thereof.



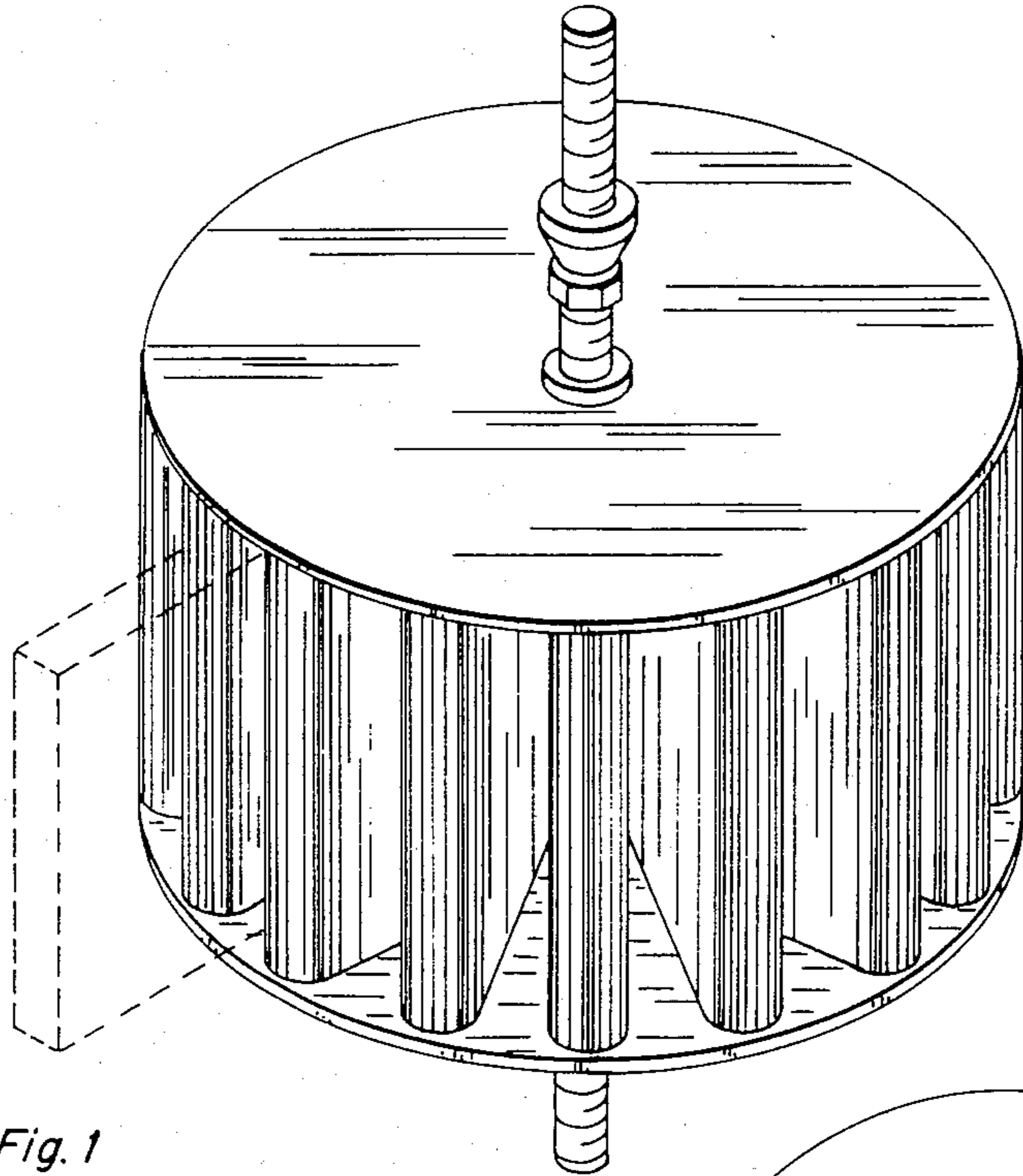


Fig. 1

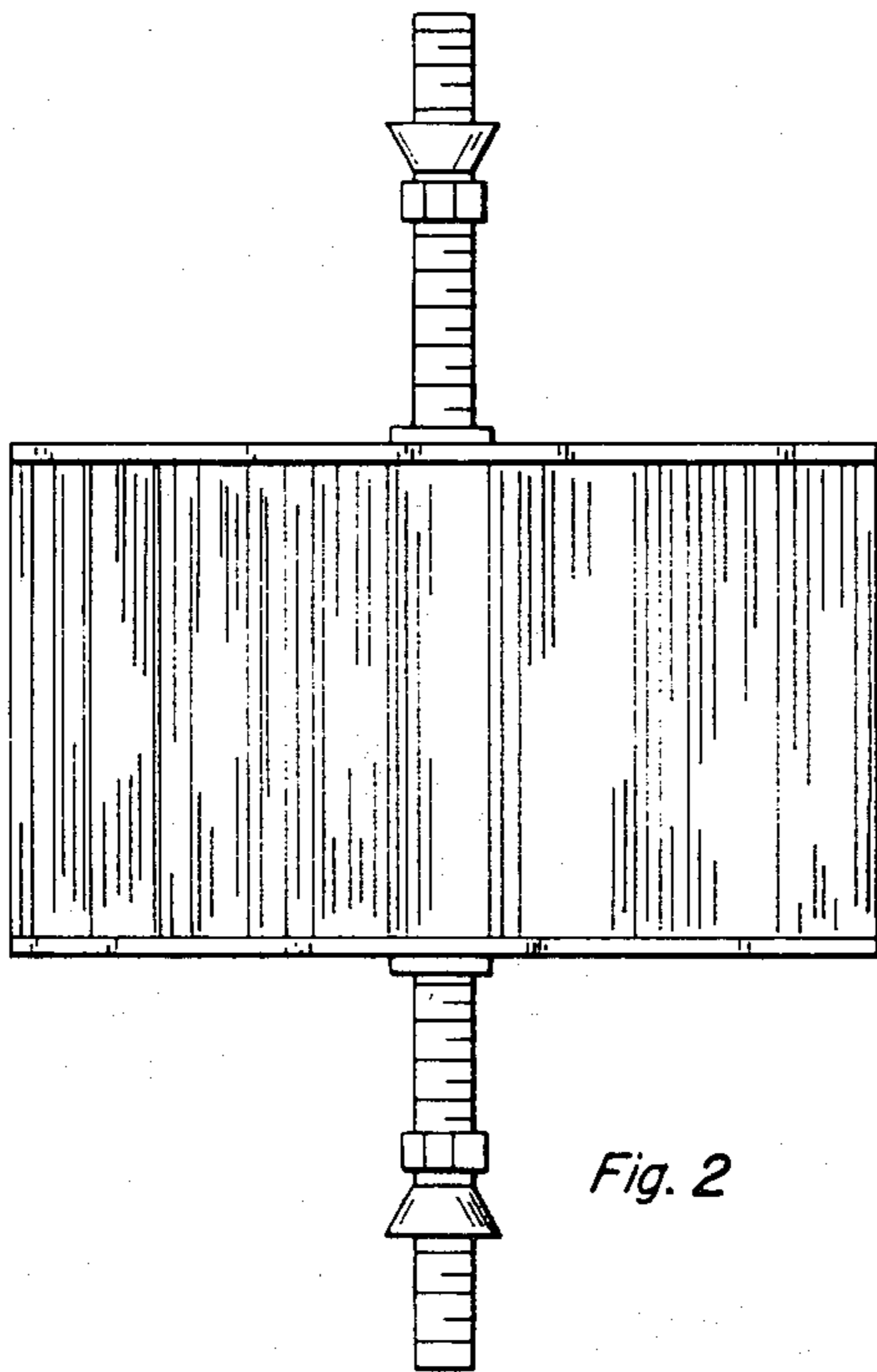


Fig. 2

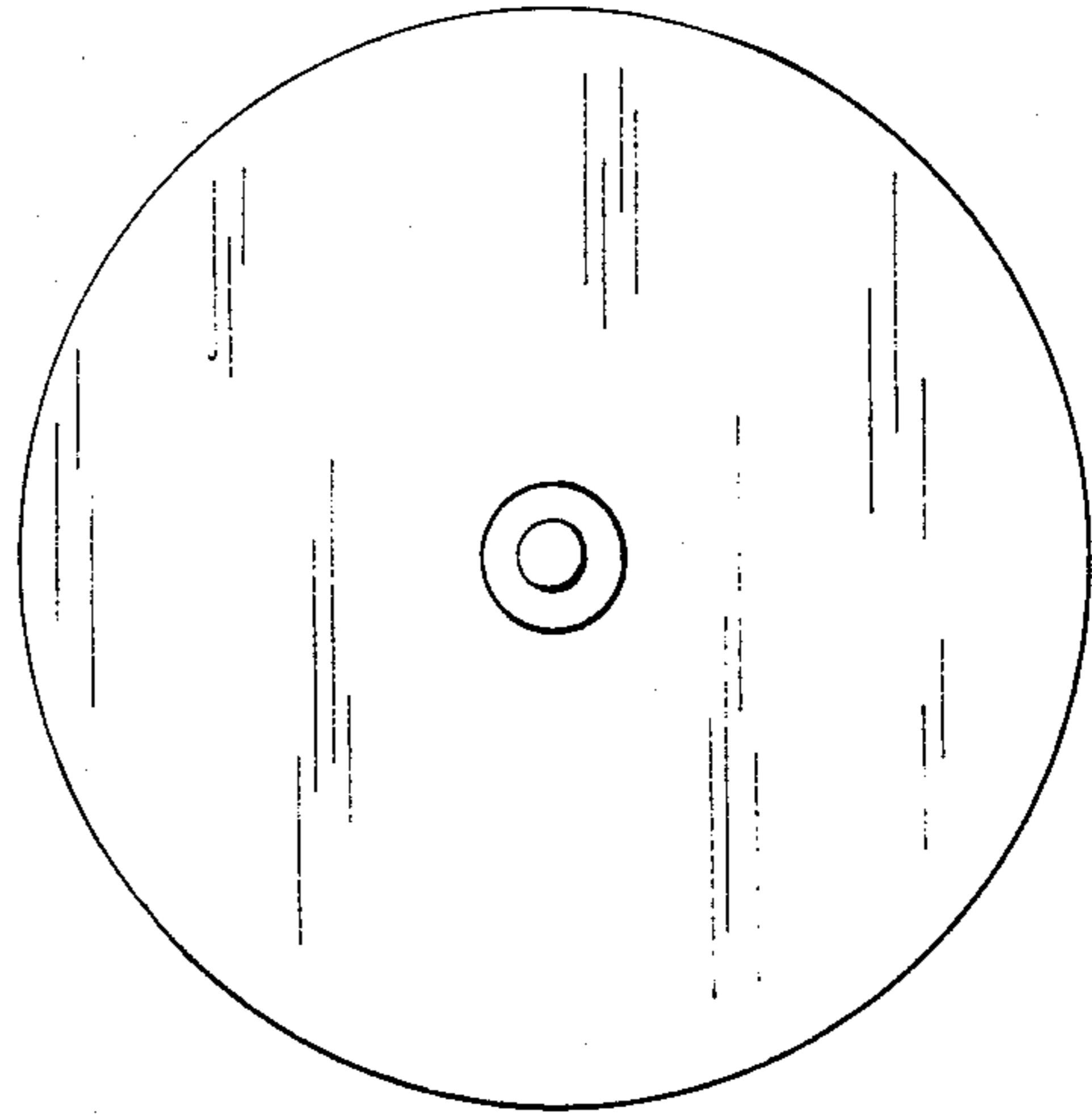


Fig. 3