

[54] **FLEXIBLE SKI-CARRIER**

[76] **Inventor: Jackie G. Williams, 1976 S. 1850 East, Ogden, Utah 84401**

[**] **Term: 14 Years**

[21] **Appl. No.: 422,713**

[22] **Filed: Sep. 24, 1982**

[52] **U.S. Cl. D3/36; D3/30.1; D8/107**

[58] **Field of Search D3/30.1, 36-38; D8/107; 294/147, 149, 153, 154, 157; 280/814; 211/69 SK**

[56] **References Cited**

U.S. PATENT DOCUMENTS

3,780,920	12/1973	Green	294/147
4,055,287	10/1977	Champenois	D3/36
4,210,244	7/1980	Westrick	294/153
4,431,226	2/1984	Weilert	294/153

Primary Examiner—George P. Word
Attorney, Agent, or Firm—A. Ray Osburn

[57] **CLAIM**

The ornamental design for a flexible ski-carrier, as shown and described.

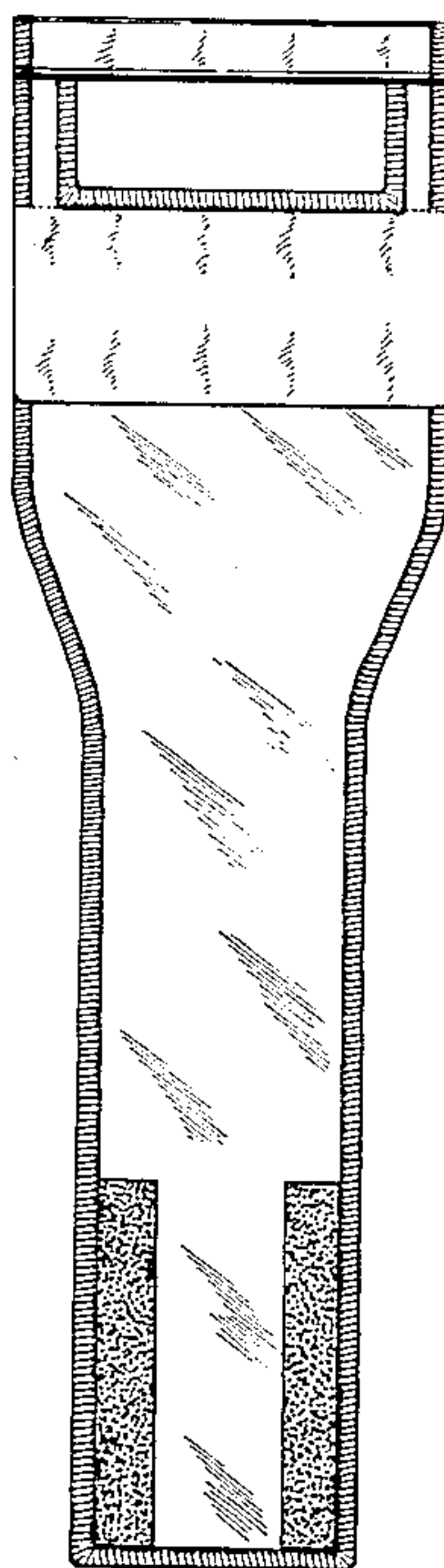
DESCRIPTION

FIG. 1 is a plan view of the inner face of a flexible ski carrier showing my new design in the open extended condition, the surface shading indicating a smooth shiny material;

FIG. 2 is a similar plan view of the reverse, outside face thereof, the surface shading indicating a woven fabric material;

FIG. 3 is a perspective view thereof in working condition wrapped about a pair of skis which form no part of my design and is indicated by broken lines; and

FIG. 4 is a perspective view thereof in rolled compact condition when not in use.



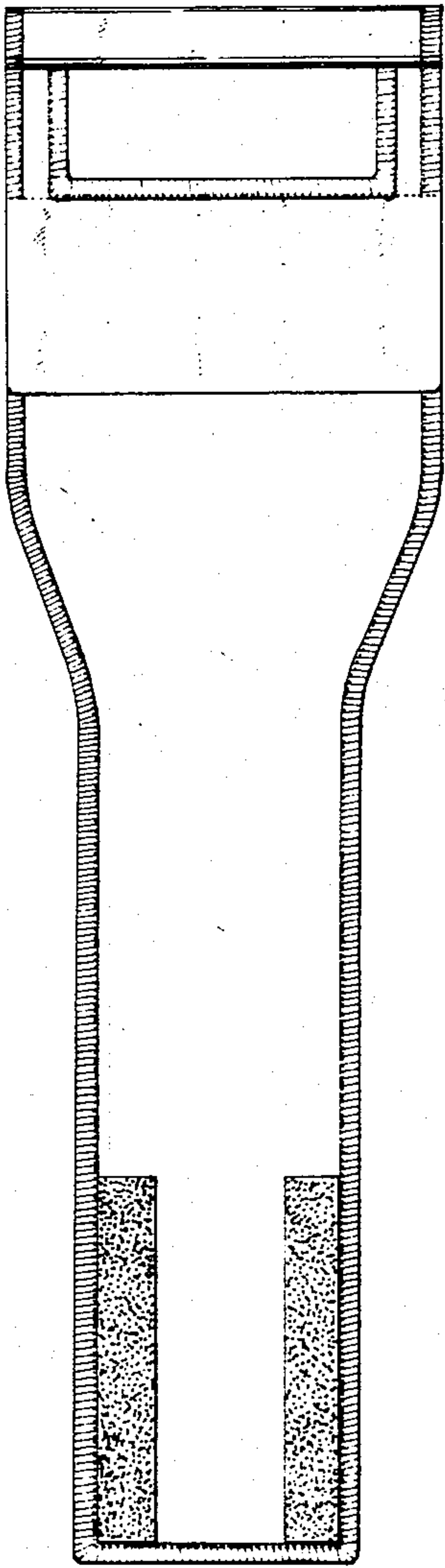


FIG. 1.

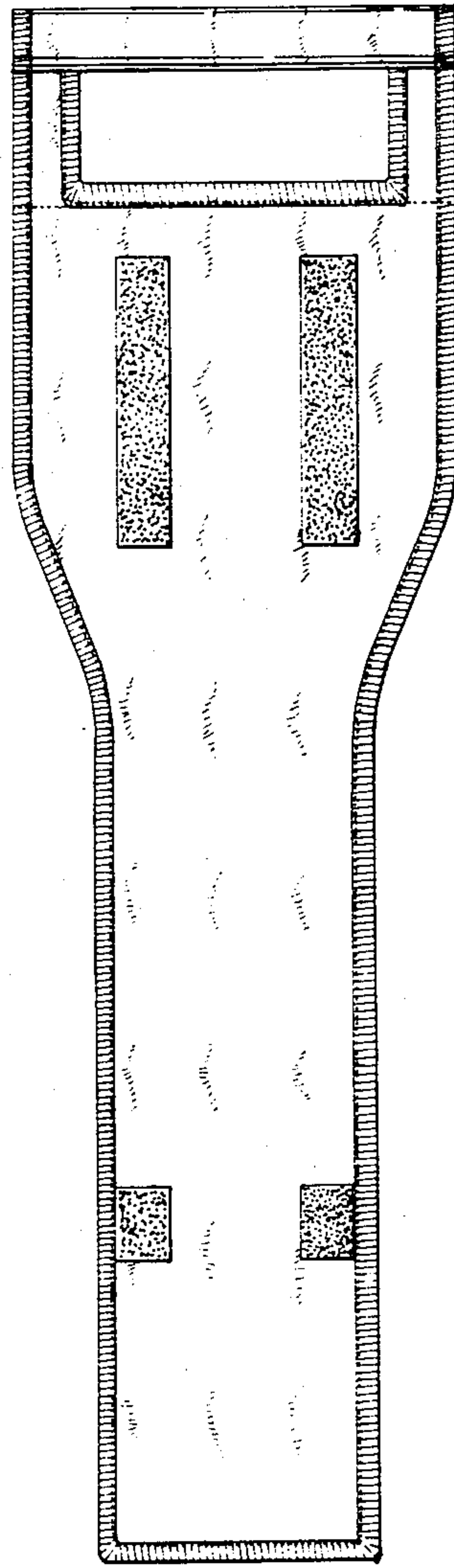


FIG. 2.

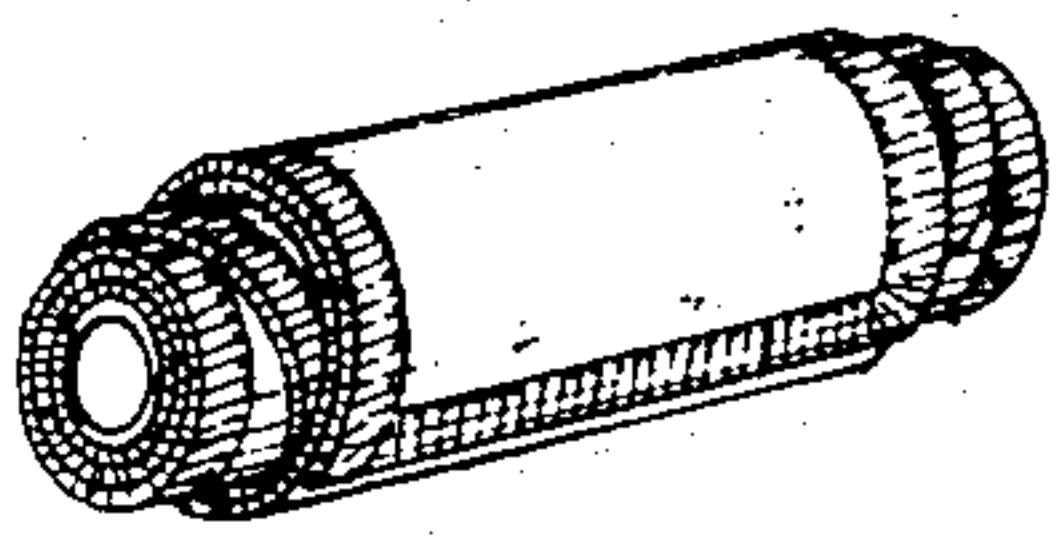


FIG. 4.

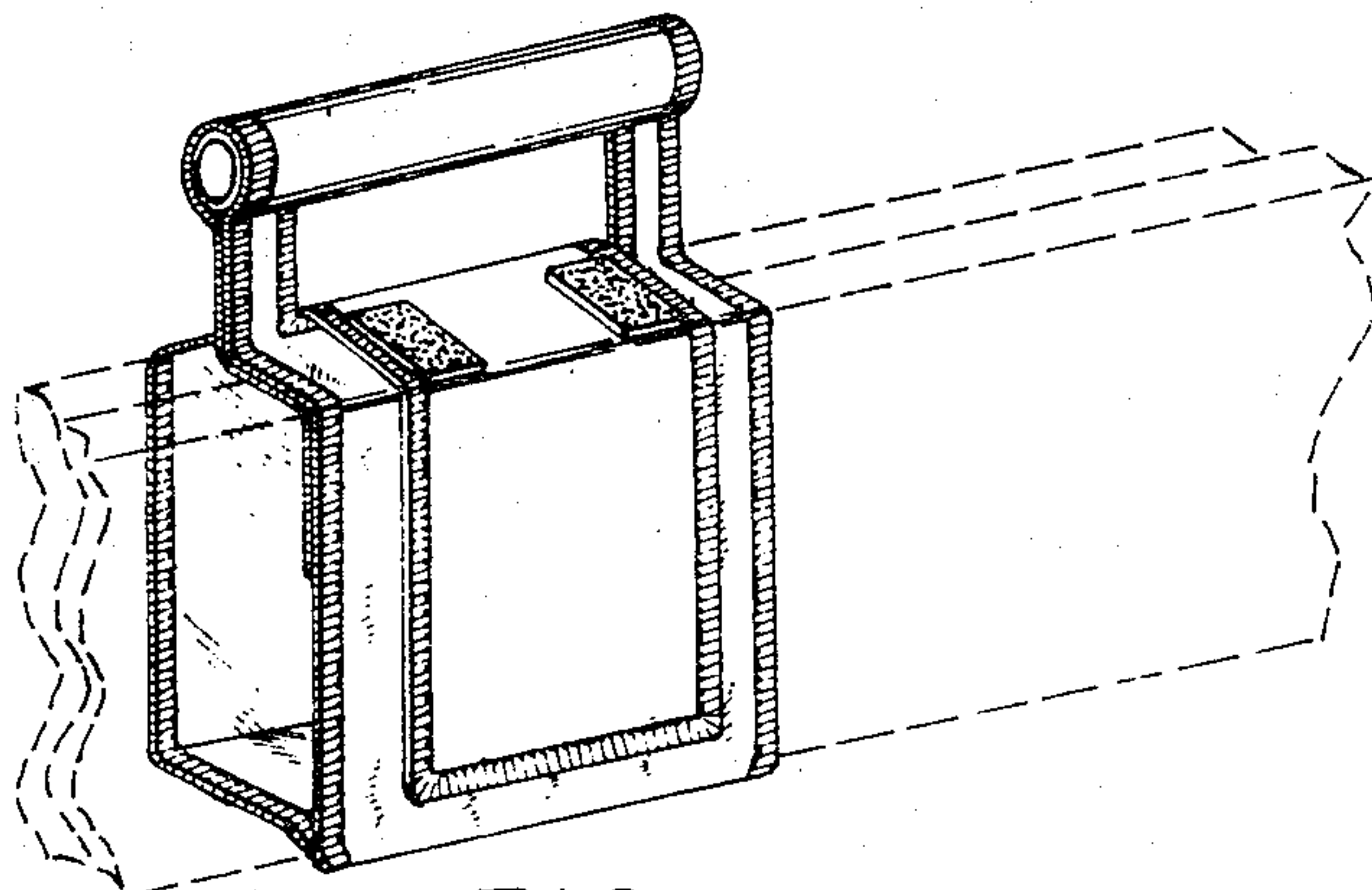


FIG. 3.