

[54] **MOBILE MACHINE FOR CLEANING OUT THE HOLDS OF OIL TANKERS**

3,744,653 7/1973 Gensen ..... 15/340  
4,092,789 6/1978 Arfons ..... 15/340

[75] **Inventor: Albert Lindqvist, St. Croix, V.I.**

[73] **Assignee: Joseph K. Dikoff, St. Croix, V.I.**

[\*\*] **Term: 14 Years**

[21] **Appl. No.: 407,631**

[22] **Filed: Aug. 12, 1982**

[52] **U.S. Cl. .... D32/16; D15/23**

[58] **Field of Search ..... D15/10, 19, 14, 11, D15/22, 23; 15/340; D32/16**

**FOREIGN PATENT DOCUMENTS**

725989 11/1966 Italy ..... 15/340

*Primary Examiner*—Wallace R. Burke  
*Assistant Examiner*—Suzanne N. Gitlin  
*Attorney, Agent, or Firm*—Bruce L. Birchard

[57] **CLAIM**

The ornamental design for a mobile machine for cleaning out the holds of oil tankers, as shown.

**DESCRIPTION**

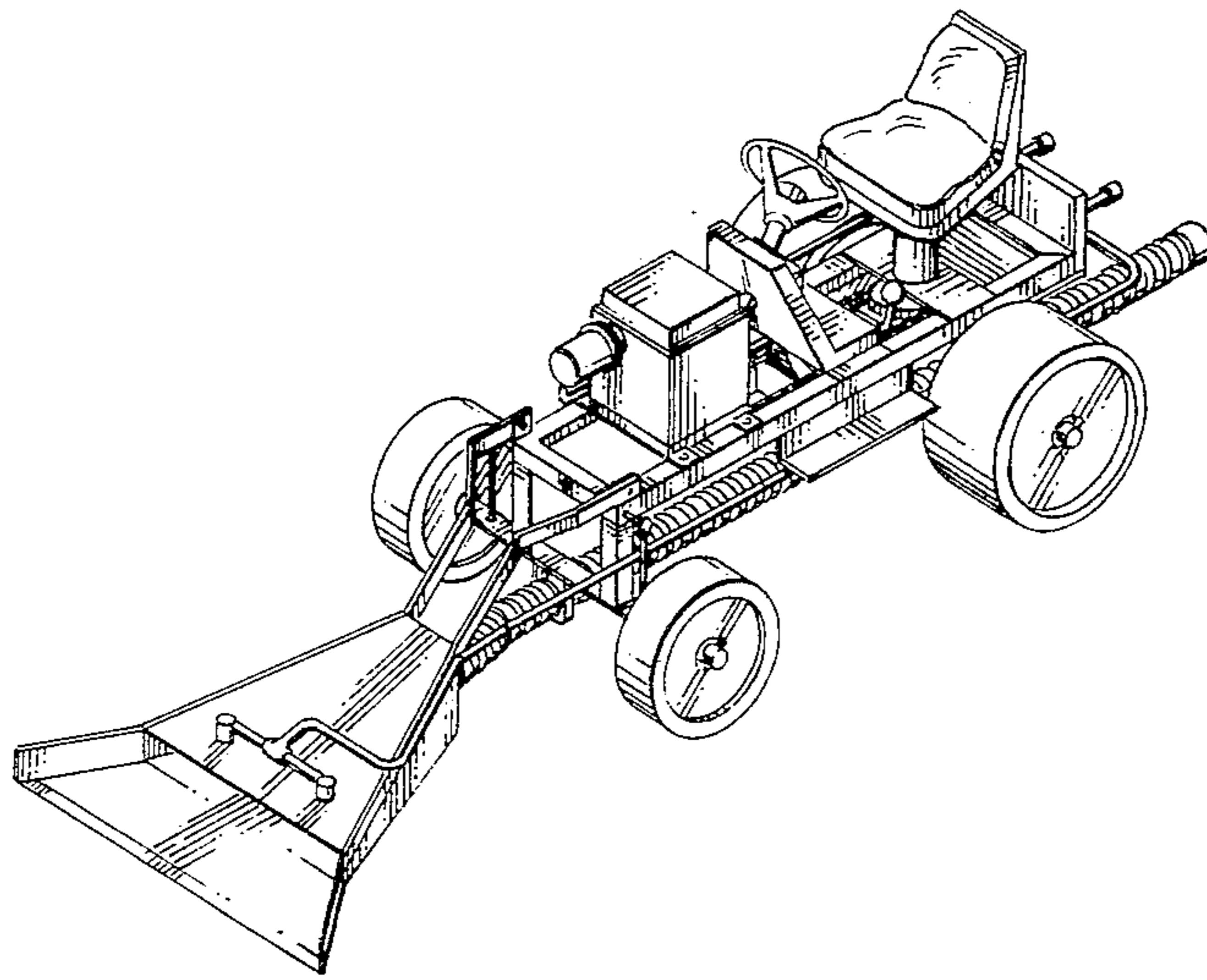
FIG. 1 is a perspective view of a mobile machine for cleaning out the holds of oil tankers showing my new design;

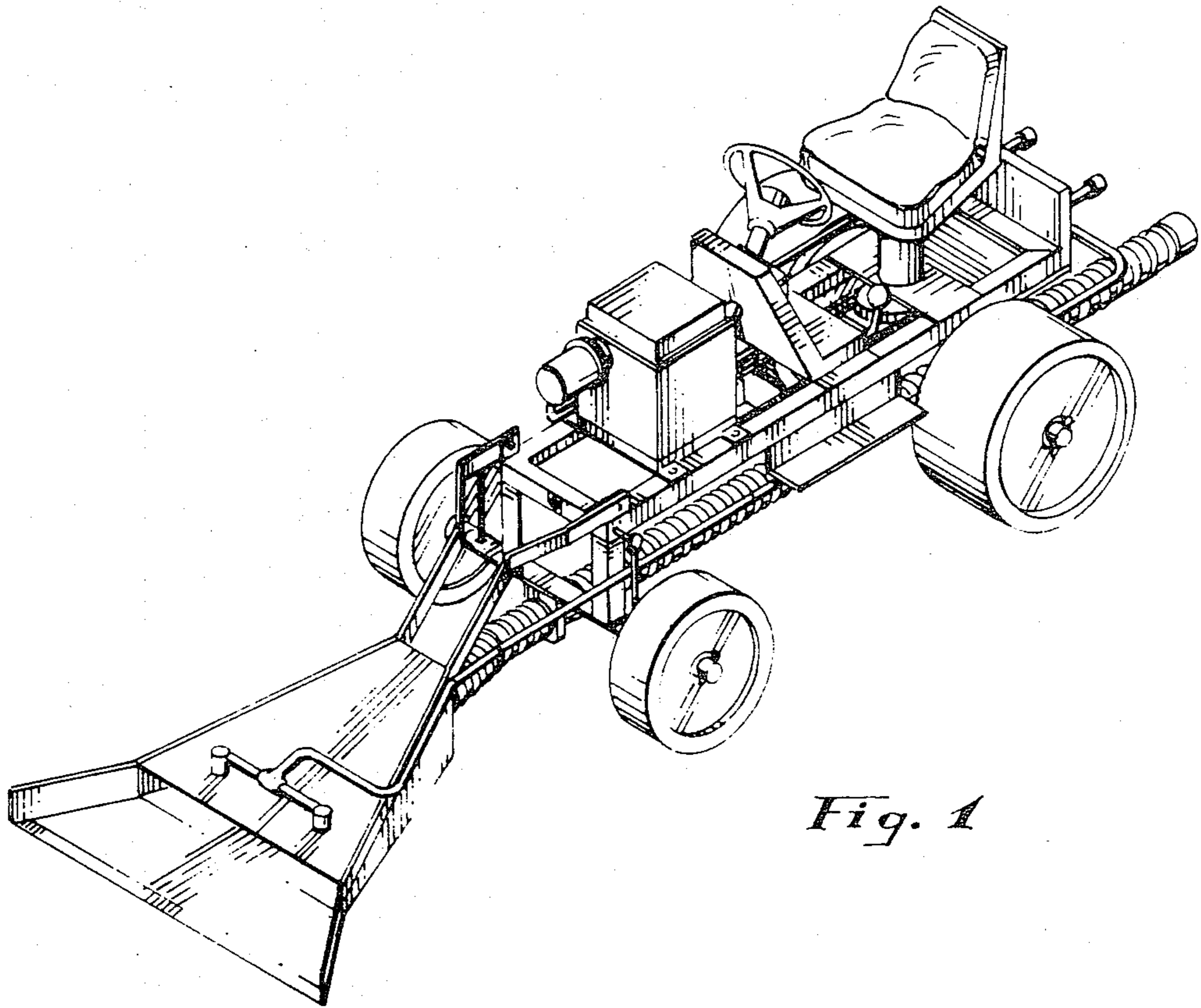
FIG. 2 is a side elevational thereof; and,  
FIG. 3 is a top, plan view thereof.

[56] **References Cited**

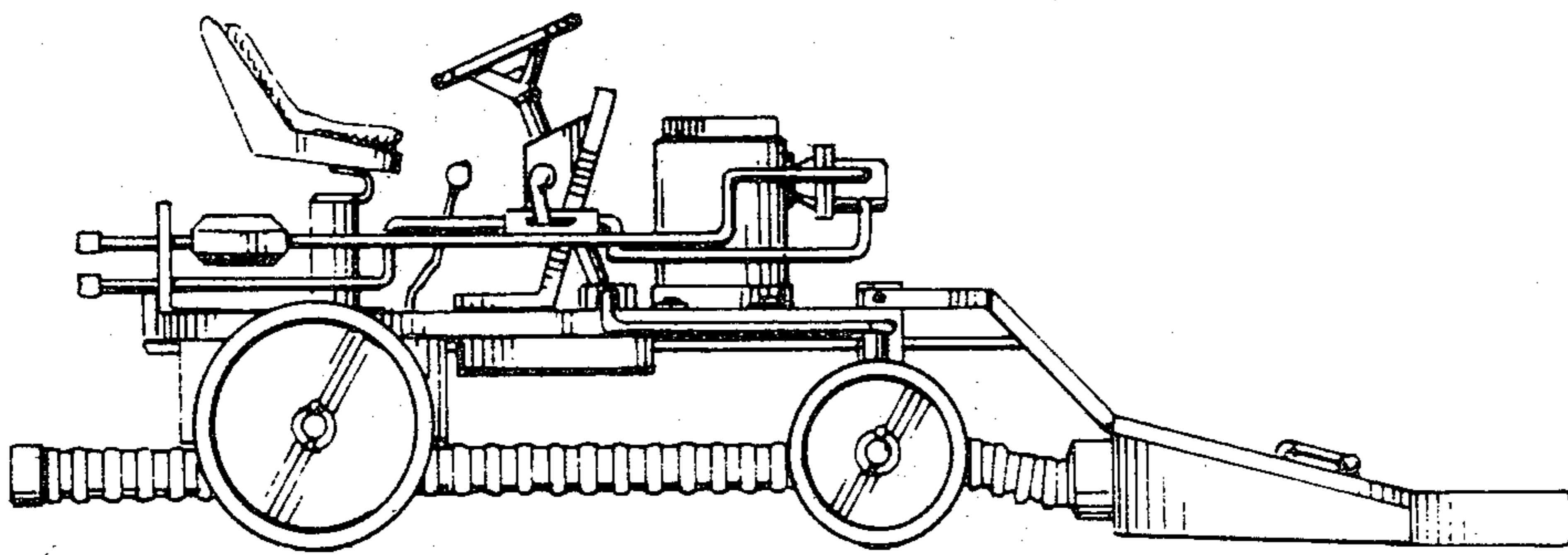
**U.S. PATENT DOCUMENTS**

1,615,348 1/1927 Schroeder ..... 15/340  
2,830,510 4/1958 Mariani et al. .... 15/340

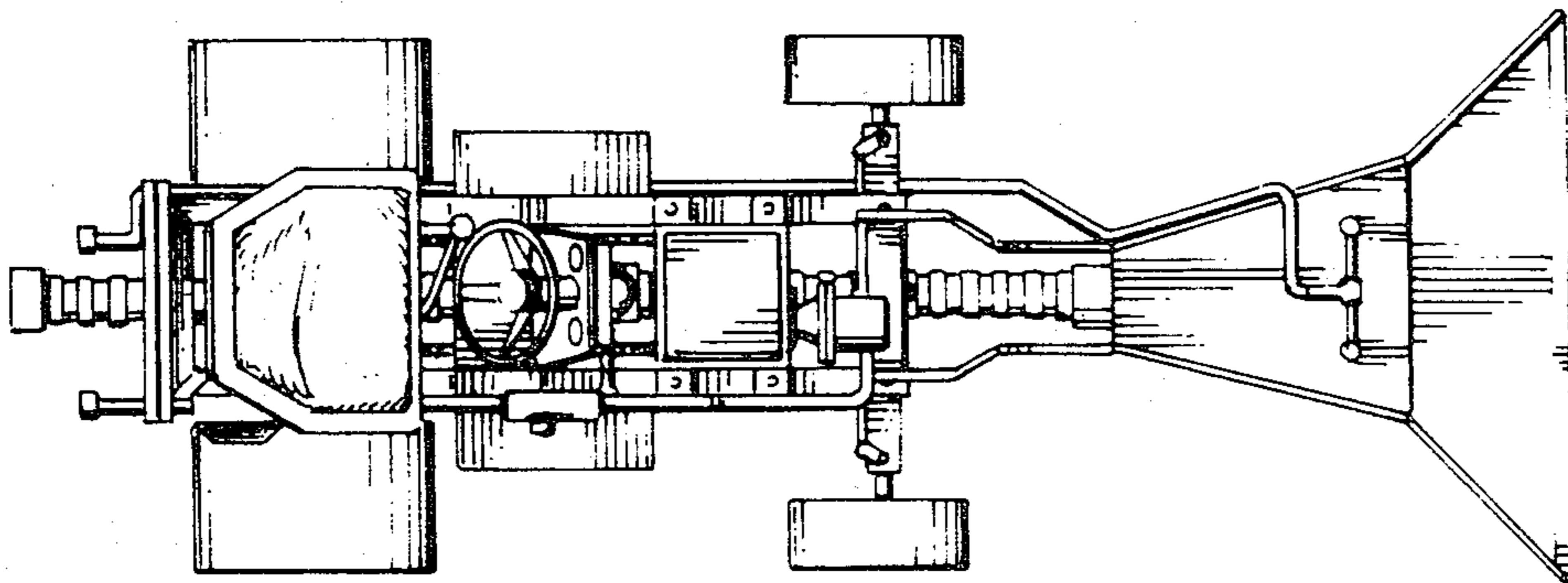




*Fig. 1*



*Fig. 2*



*Fig. 3*