

[54] **ASHTRAY**

[76] **Inventor: Bruce R. Thompson, 32 Shakespeare Ave., Tranmere, South Australia, Australia**

[**] **Term: 14 Years**

[21] **Appl. No.: 438,417**

[22] **Filed: Nov. 1, 1982**

[30] **Foreign Application Priority Data**

May 5, 1982 [AU] Australia 303/82

[52] **U.S. Cl. D27/8**

[58] **Field of Search D27/8, 28, 29; 131/231, 131/240 R; 220/1 R, 4 B**

[56] **References Cited**

U.S. PATENT DOCUMENTS

D. 268,211	3/1983	Polhemus	D27/29
3,412,888	11/1968	Andrews et al.	220/4 B
3,675,662	7/1972	Askins	131/240 R
4,220,134	9/1980	Snyder	220/4 B
4,390,030	6/1983	Tibbetts	131/231

FOREIGN PATENT DOCUMENTS

2507826	9/1976	Fed. Rep. of Germany	131/231
1135012	12/1950	France	131/240 R
954154	4/1964	United Kingdom	131/240 R

OTHER PUBLICATIONS

Abitare, Gedy, V197, 9/1981, p. 139 Container #1 in lower left corner.

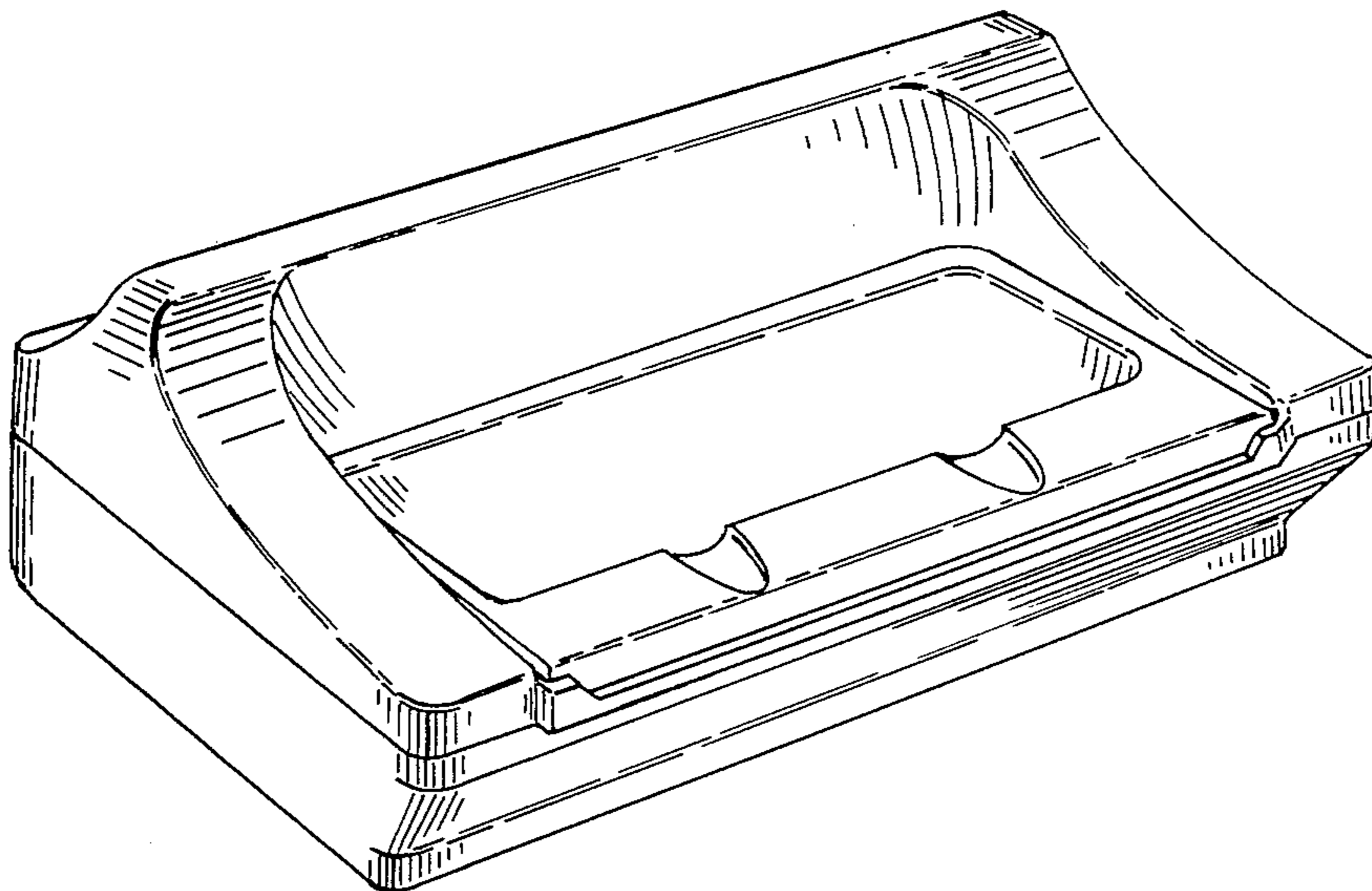
Primary Examiner—A. Hugo Word
Assistant Examiner—Suzanne N. Gitlin
Attorney, Agent, or Firm—McDougall, Hersh & Scott

[57] **CLAIM**

The ornamental design for an ashtray, as shown.

DESCRIPTION

FIG. 1 is a perspective view of an ashtray showing my new design;
FIG. 2 is an exploded perspective view thereof;
FIG. 3 is an end elevational view taken from the left of FIG. 1;
FIG. 4 is an end elevational view taken from the right of FIG. 1;
FIG. 5 is a front elevational view thereof;
FIG. 6 is a rear elevational view thereof;
FIG. 7 is a top plan view thereof; and
FIG. 8 is a bottom plan view thereof.



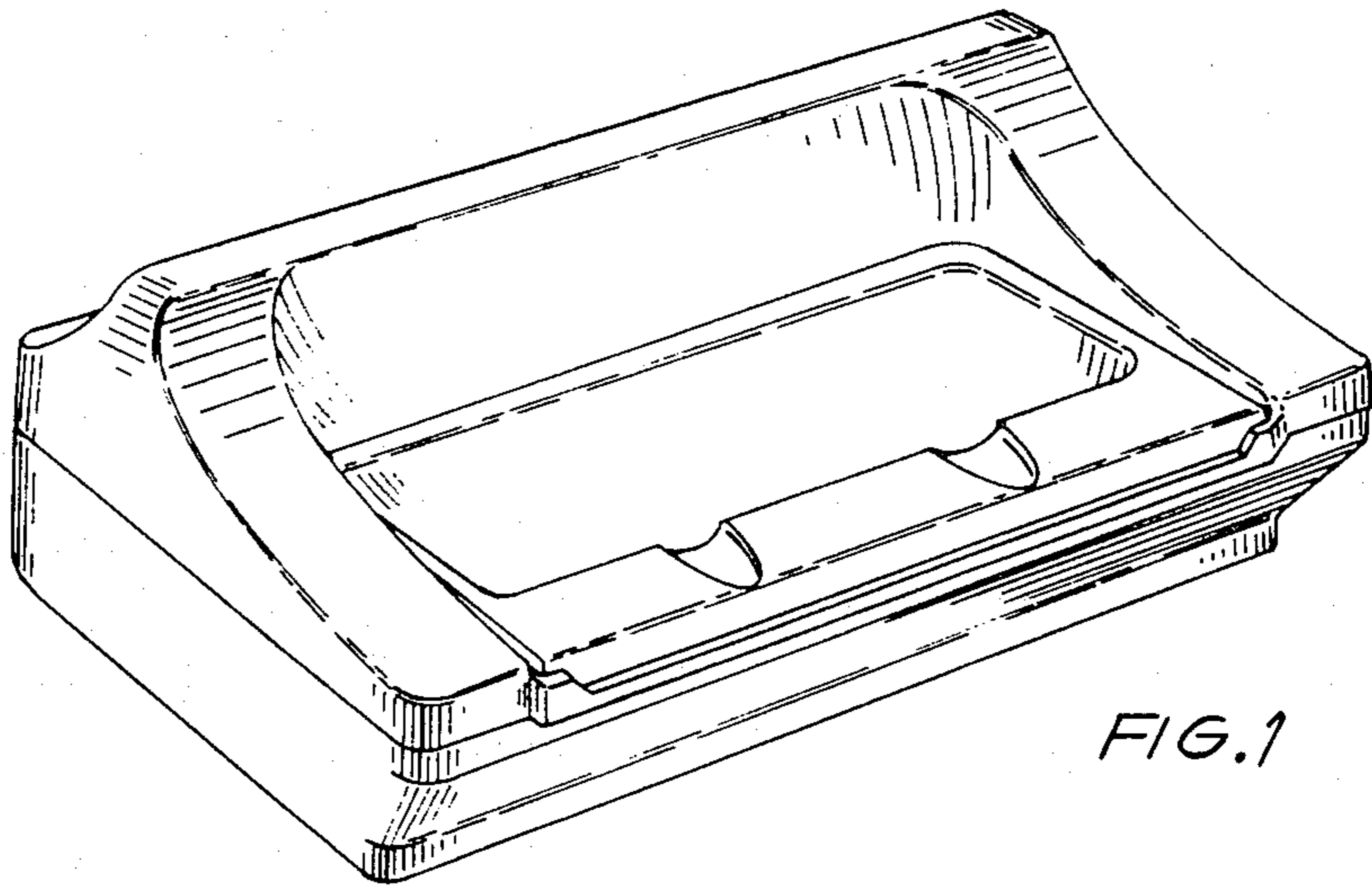


FIG. 1

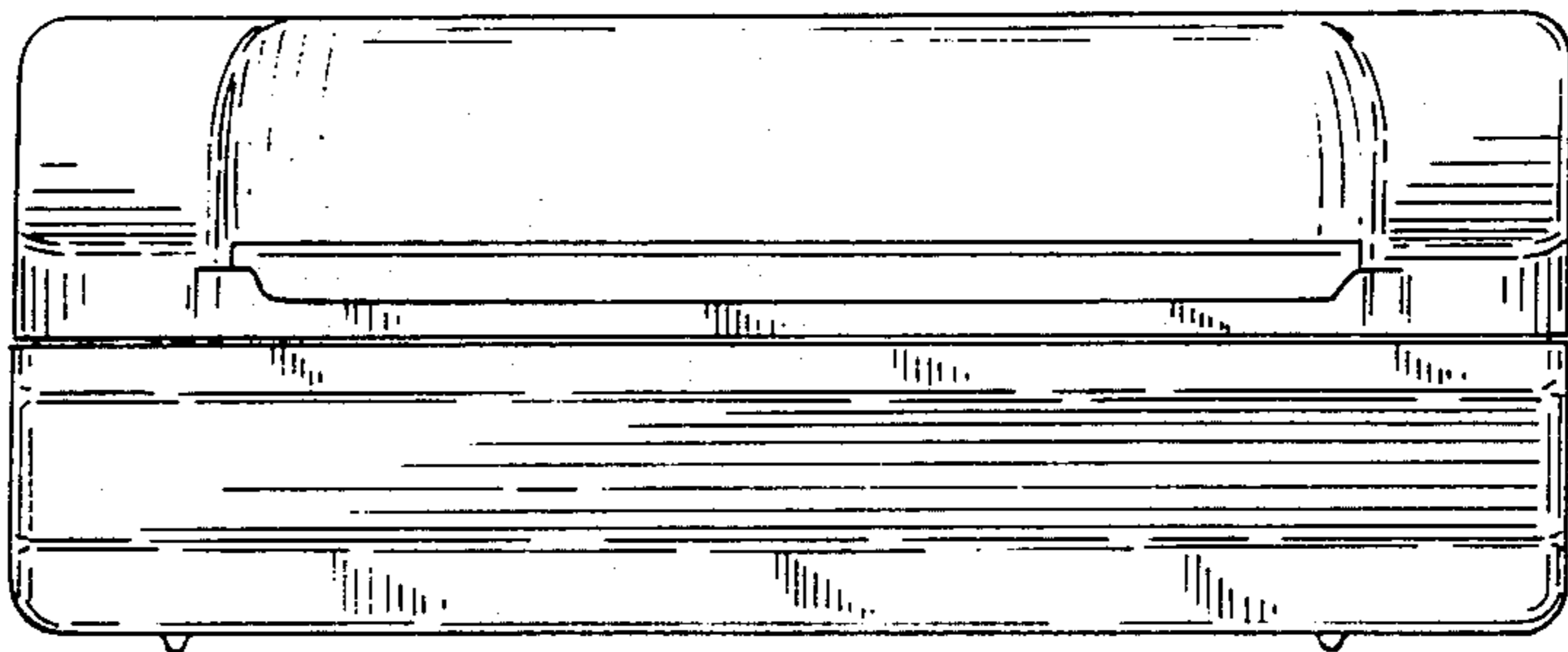


FIG. 5

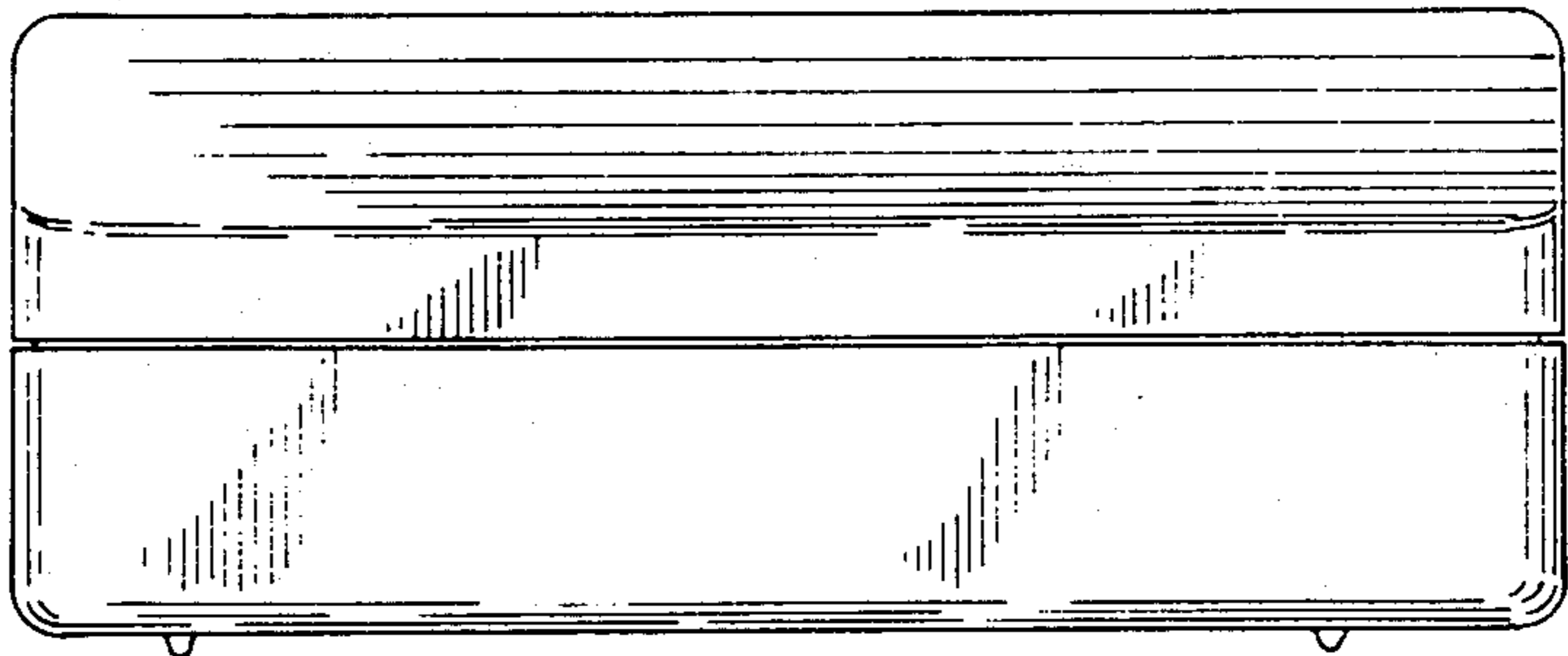
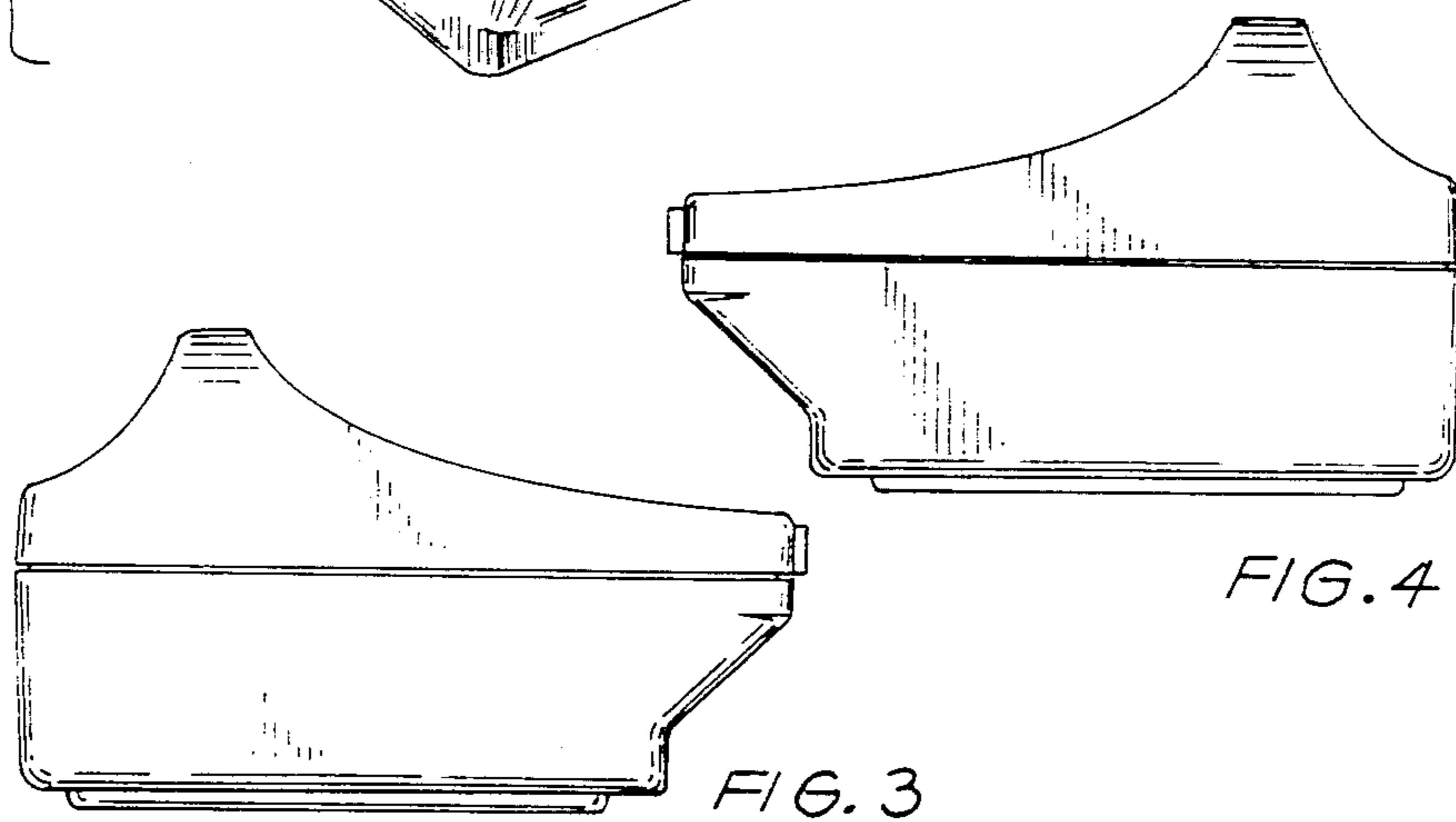
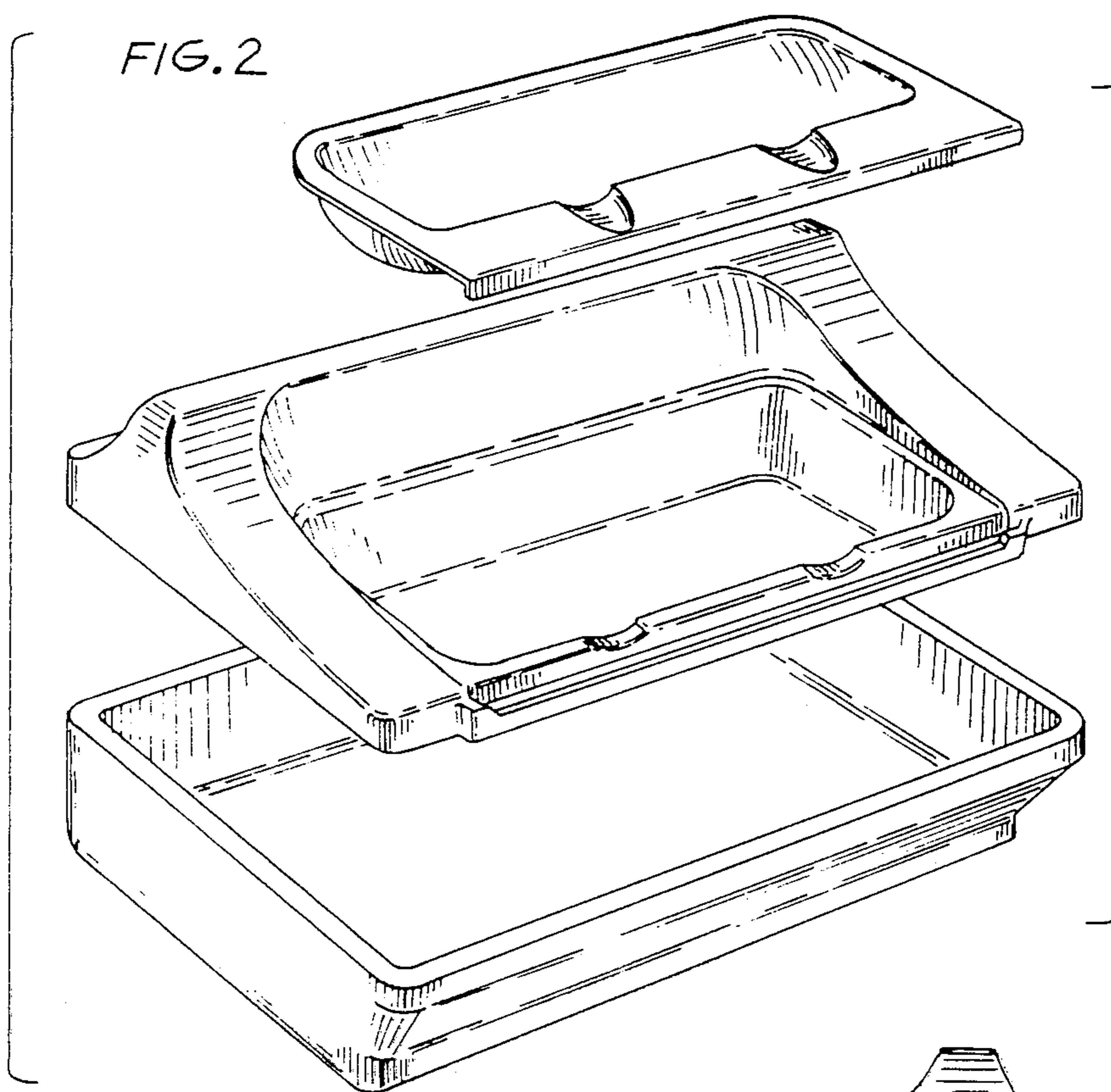


FIG. 6



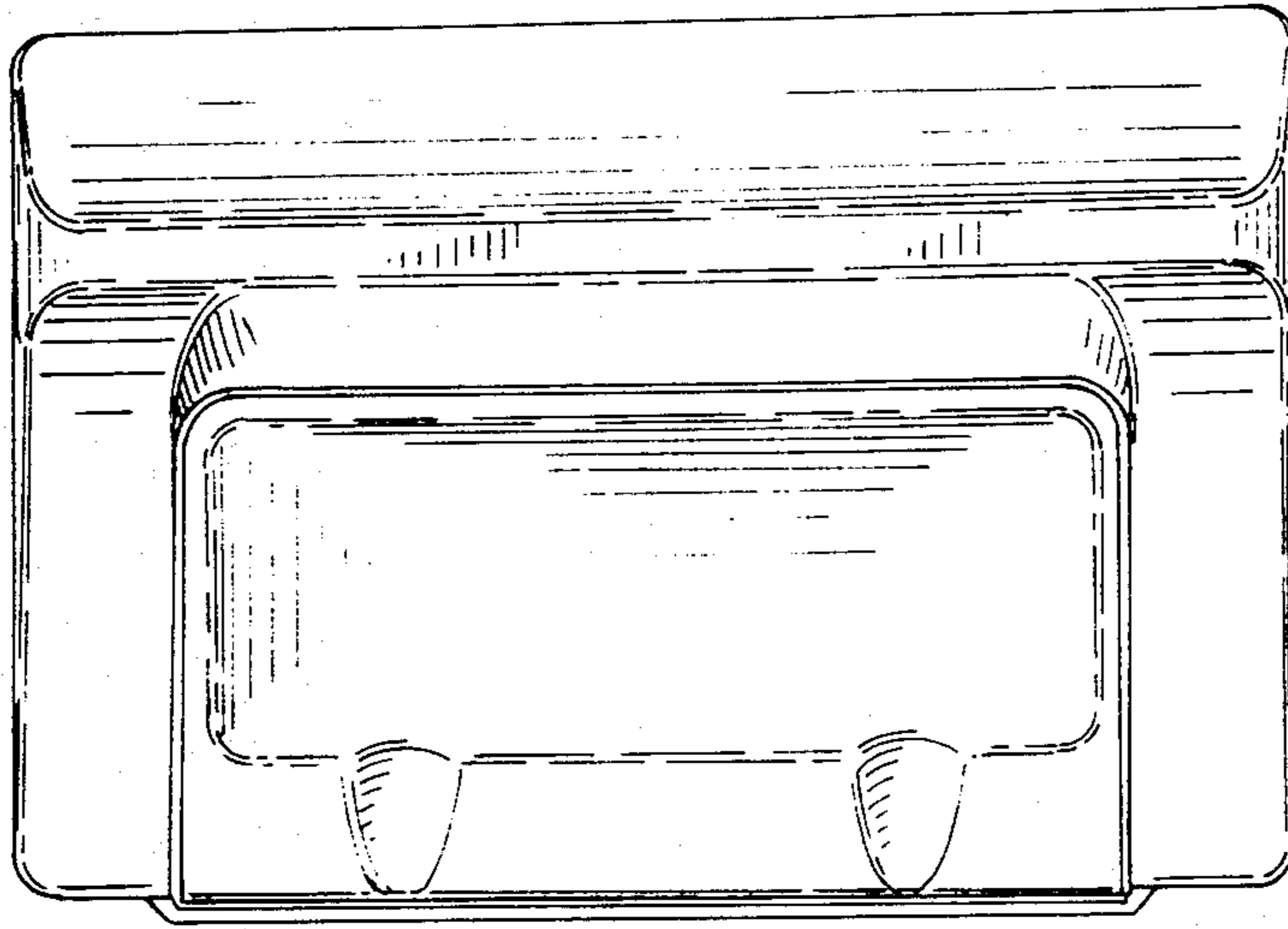


FIG. 7

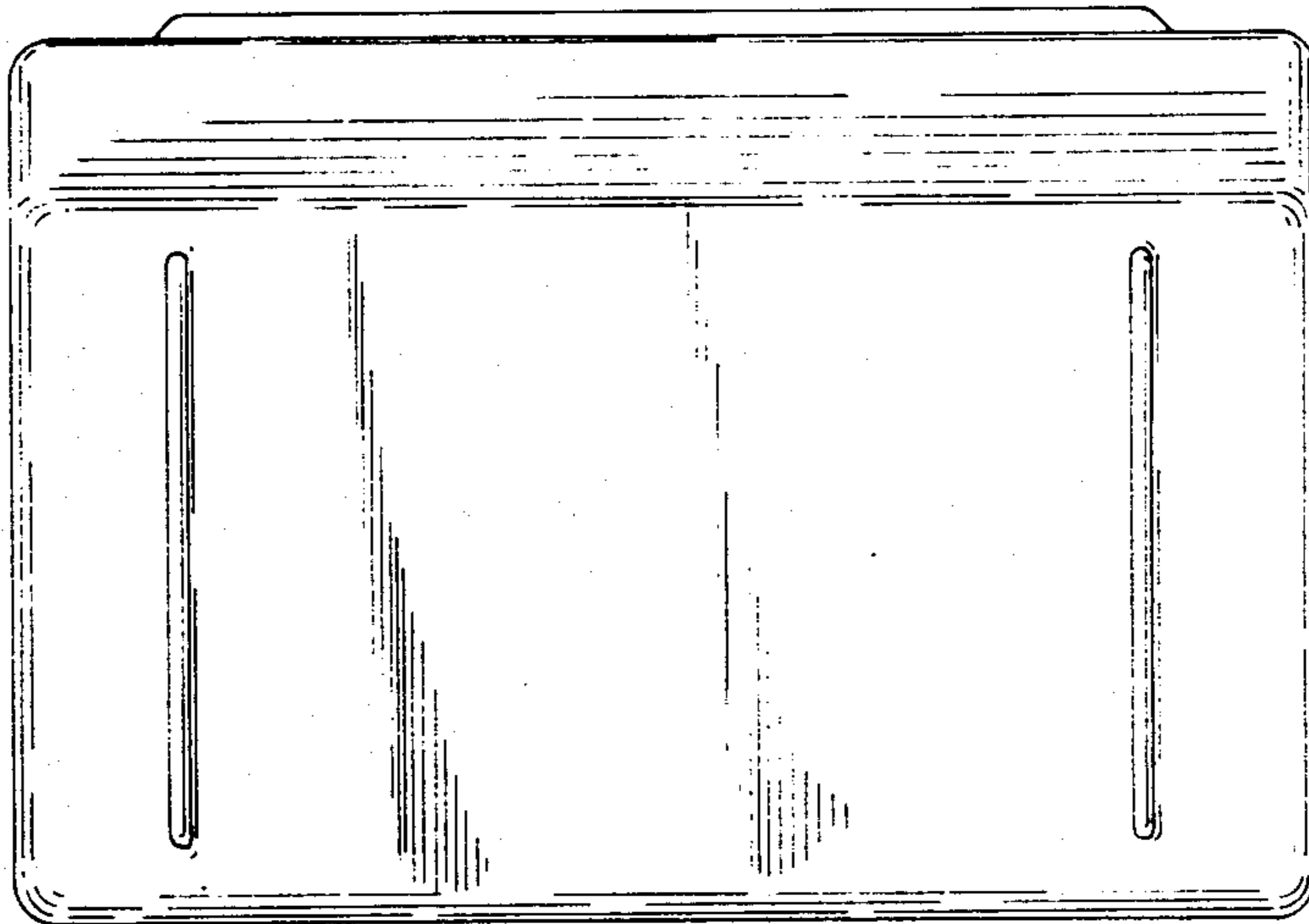


FIG. 8