

[54] CUVETTE TRAY

[75] Inventors: Kenneth F. Uffenheimer, Mahopac, N.Y.; Dario Svenjak, Fairview, N.J.; Herman G. Diebler, Redding, Conn.; William J. C. McCandless, Ringwood, N.J.; Rand E. Herron, Wilton, Conn.; Stephen Saros, Wantagh, N.Y.

[73] Assignee: Technicon Instruments Corporation, Tarrytown, N.Y.

[**] Term: 14 Years

[21] Appl. No.: 416,804

[22] Filed: Sep. 13, 1982

[52] U.S. Cl. D24/31

[58] Field of Search D24/31; 356/246; 206/557, 558, 561, 565; 422/64, 102

[56]

References Cited

U.S. PATENT DOCUMENTS

4,123,173	10/1978	Bullock et al.	356/246
4,126,418	11/1978	Krasnow	356/246
4,226,531	10/1980	Tiffany et al.	356/246
4,357,301	11/1982	Cassaday et al.	356/246

Primary Examiner—James M. Gandy
Attorney, Agent, or Firm—S. P. Tedesco

[57]

CLAIM

The ornamental design for a cuvette tray, as shown.

DESCRIPTION

FIG. 1 is an isometric view of a cuvette tray showing our new design;
FIG. 2 is a top plan view thereof;
FIG. 3 is a side elevation view thereof; and
FIG. 4 is a bottom plan view thereof.

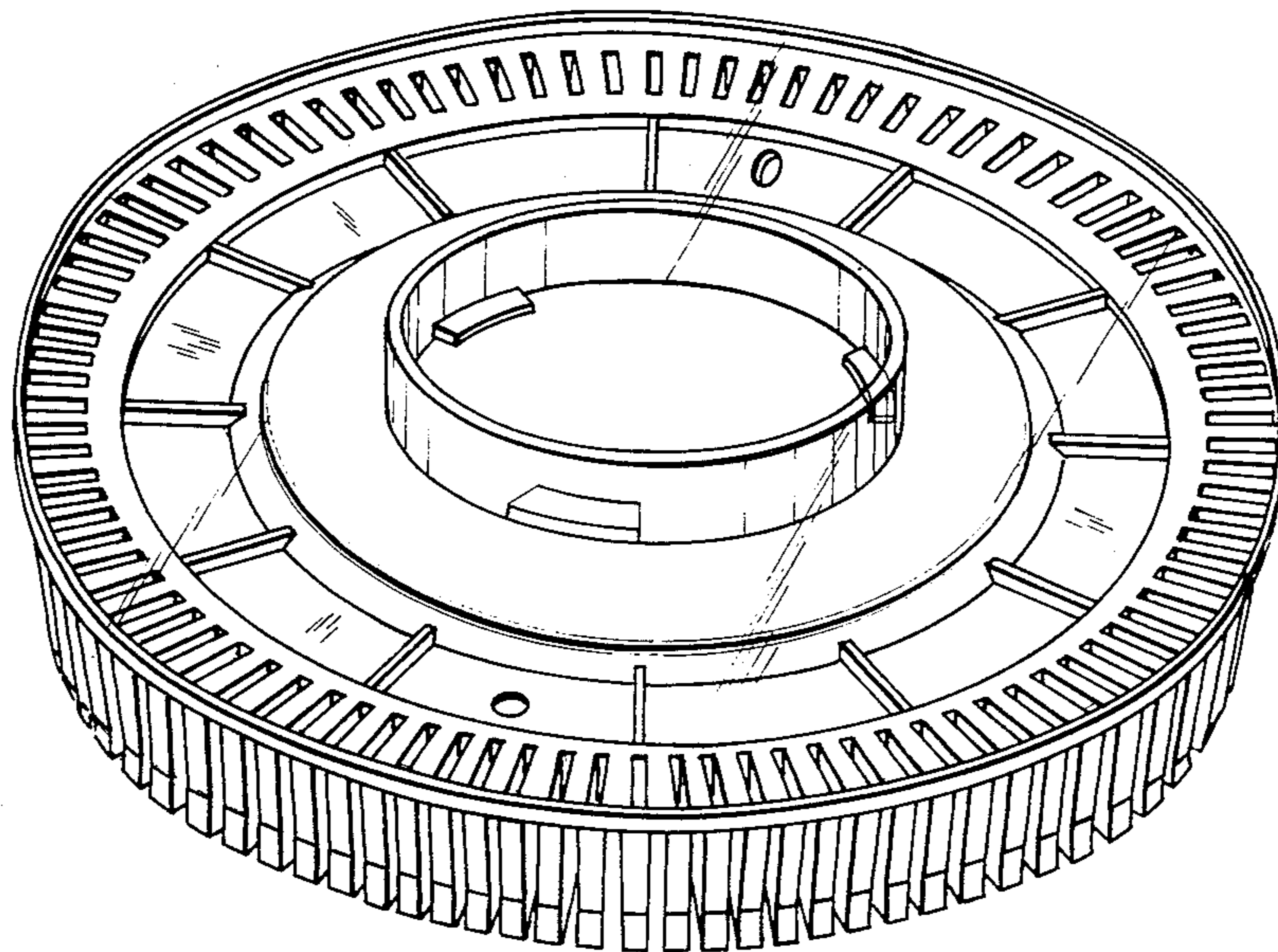


FIG 1

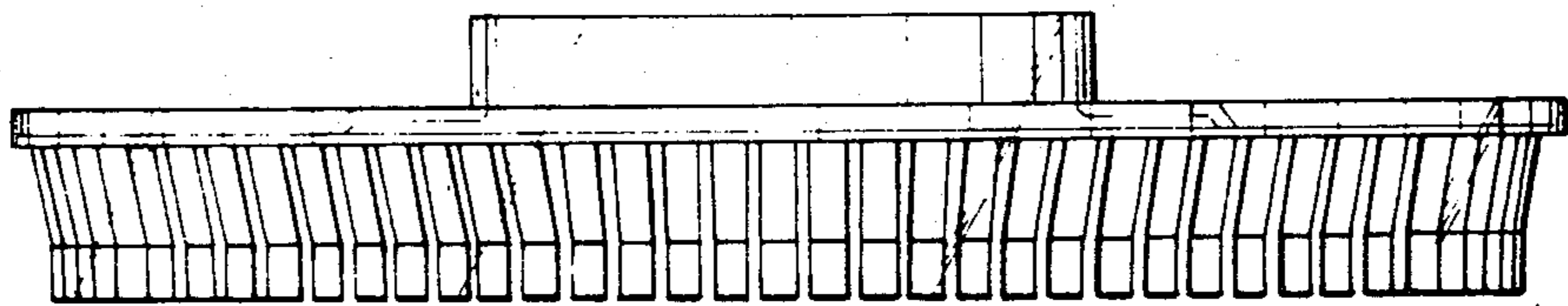
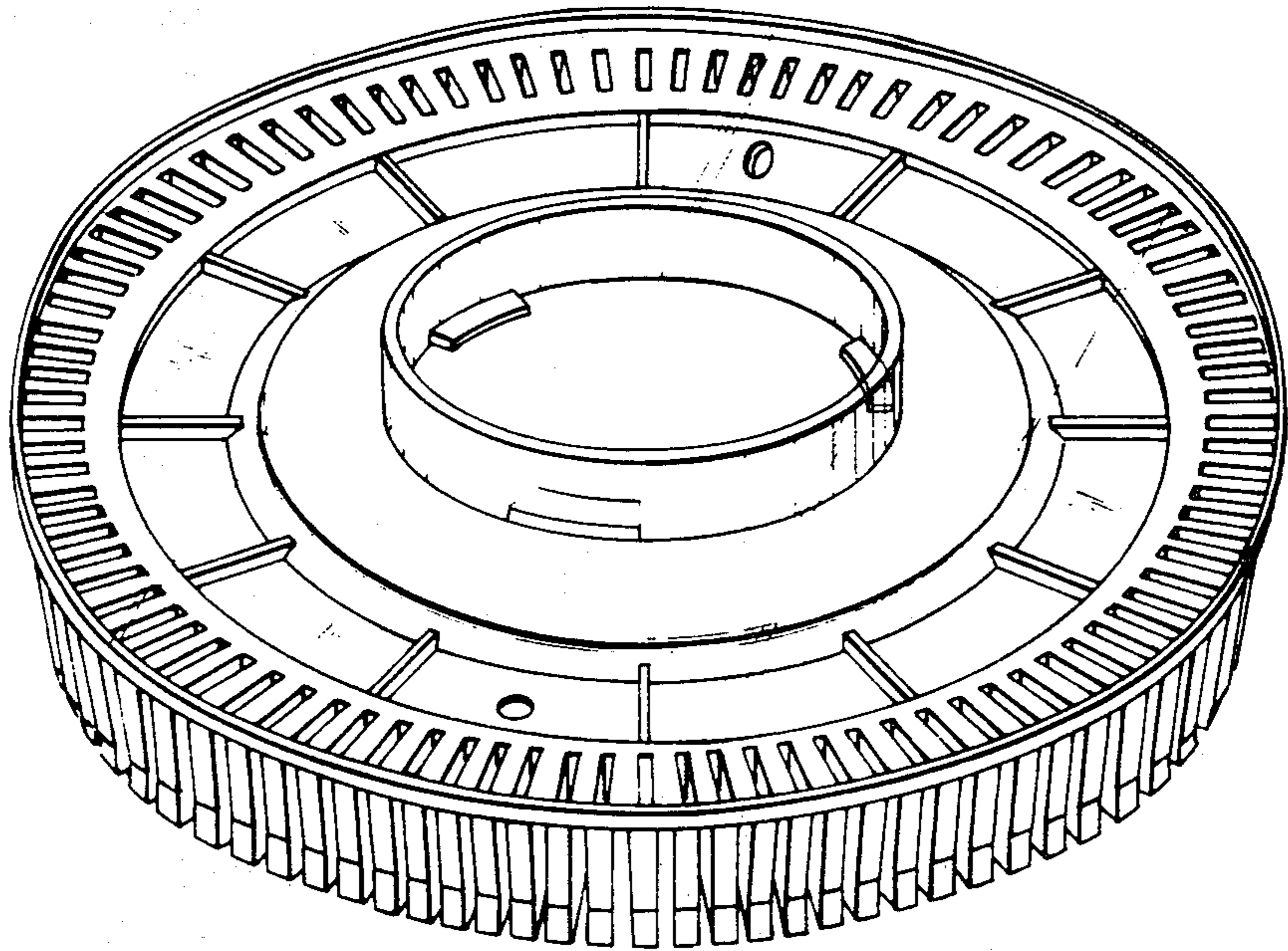


FIG. 3

FIG. 2

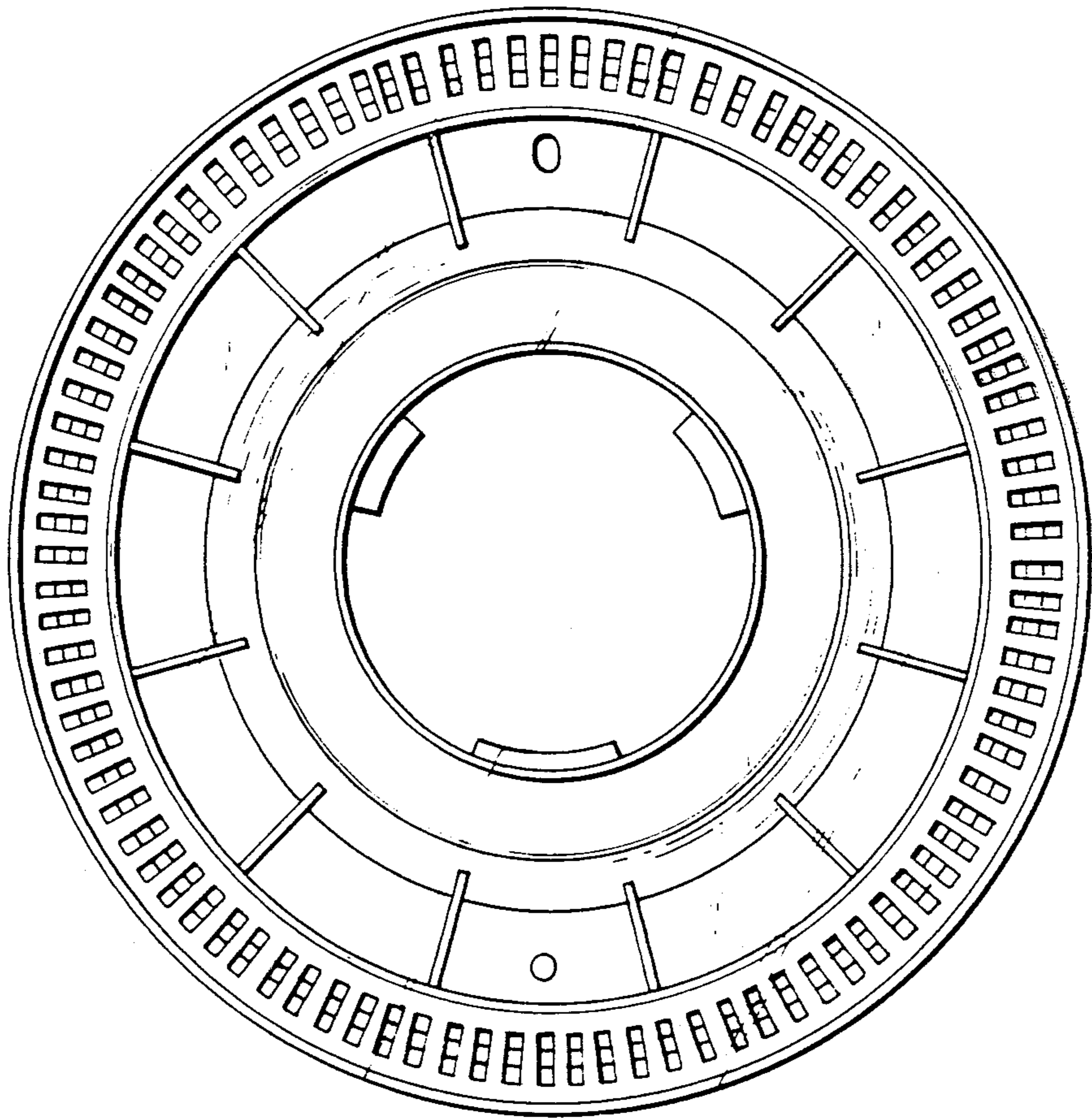


FIG. 4

