

United States Patent [19]

Barrett

[11] Patent Number: **Des. 277,885**

[45] Date of Patent: **** Mar. 5, 1985**

[54] **TWO-WHEELED ROLLER SKATE**

[76] Inventor: **John L. Barrett**, 427 S. Boone St.,
Boone, Iowa 50036

[**] Term: **14 Years**

[21] Appl. No.: **426,773**

[22] Filed: **Sep. 29, 1982**

[52] U.S. Cl. **D21/226**

[58] Field of Search **D21/226, 227, 237;**
280/11.23, 11.2, 11.25

D. 268,857 5/1983 Tollens D21/226
2,974,331 3/1961 Dize D21/237

Primary Examiner—Charles A. Rademaker
Attorney, Agent, or Firm—G. Brian Pingel; Kent A.
Herink

[57] CLAIM

The ornamental design for a two-wheeled roller skate,
substantially as shown.

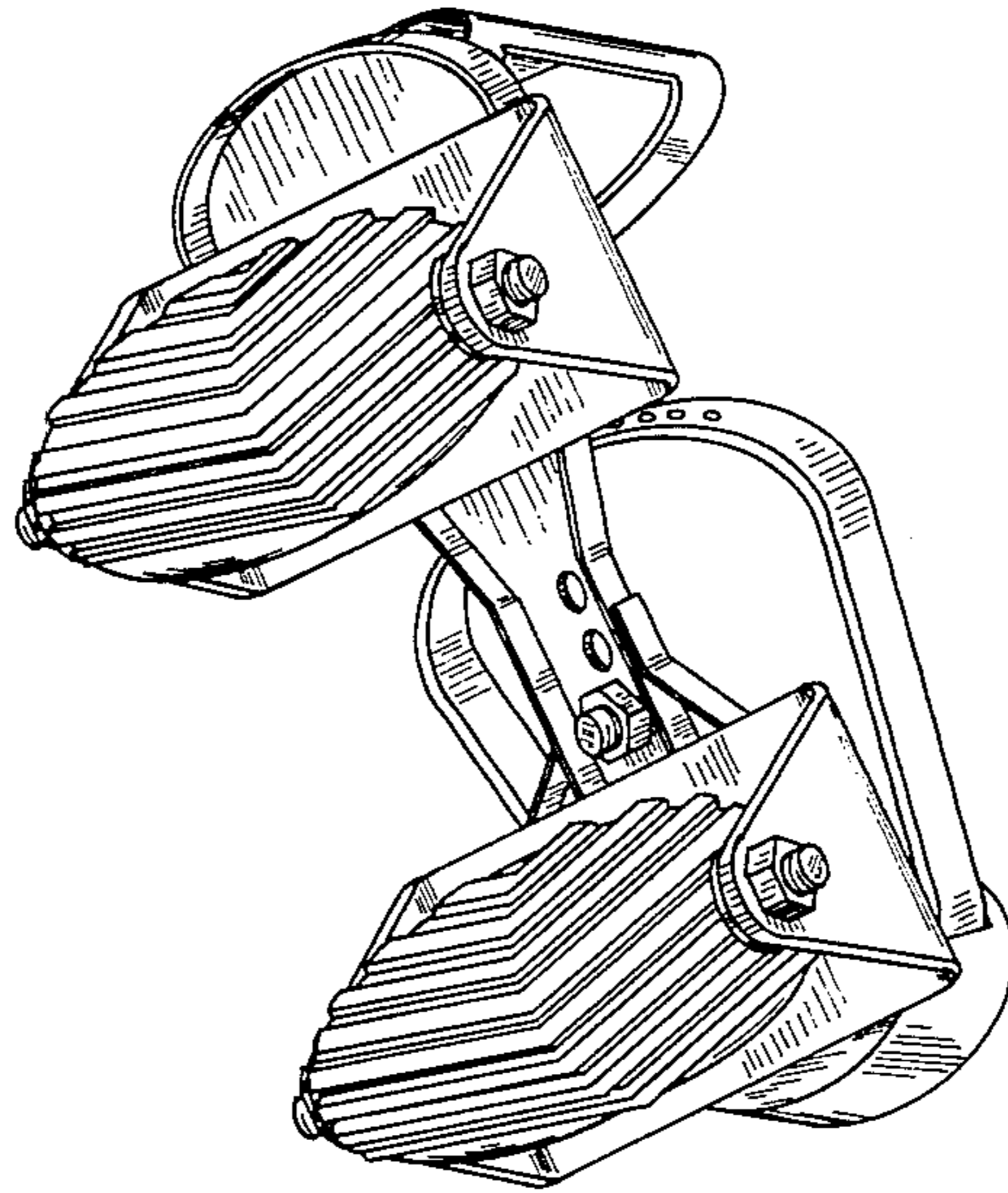
DESCRIPTION

FIG. 1 is a bottom perspective view of a two-wheeled
roller skate showing my new design;
FIG. 2 is a side elevational view thereof;
FIG. 3 is a top plan view thereof;
FIG. 4 is a bottom plan view thereof;
FIG. 5 is a front elevational view thereof; and,
FIG. 6 is a rear elevational view thereof.

[56] References Cited

U.S. PATENT DOCUMENTS

D. 226,118 1/1973 Deberardino et al. D21/226
D. 228,356 9/1973 Taylor D21/226
D. 242,938 1/1977 Famolare D21/226
D. 262,130 12/1981 Yoshimoto D21/226



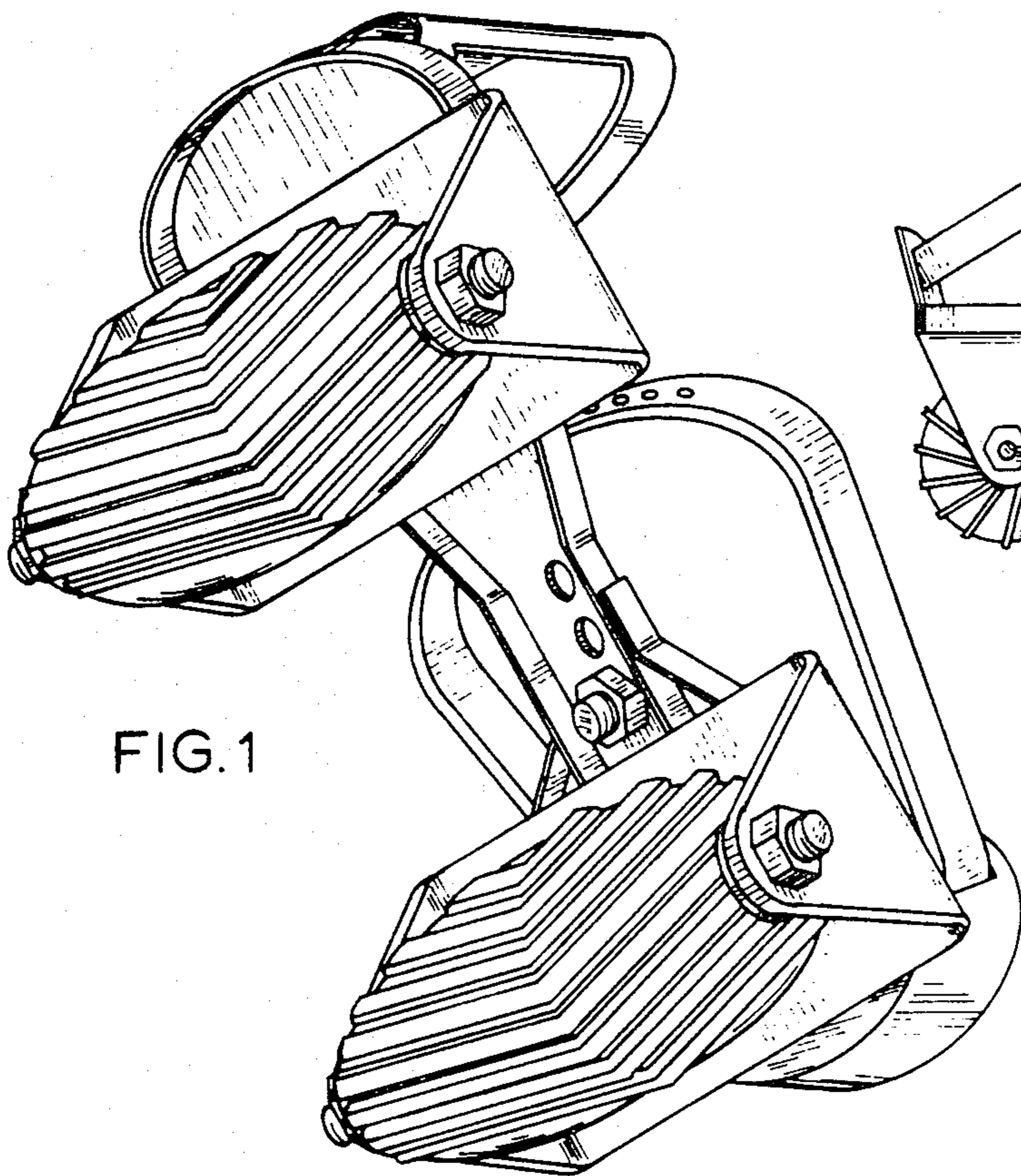


FIG. 1

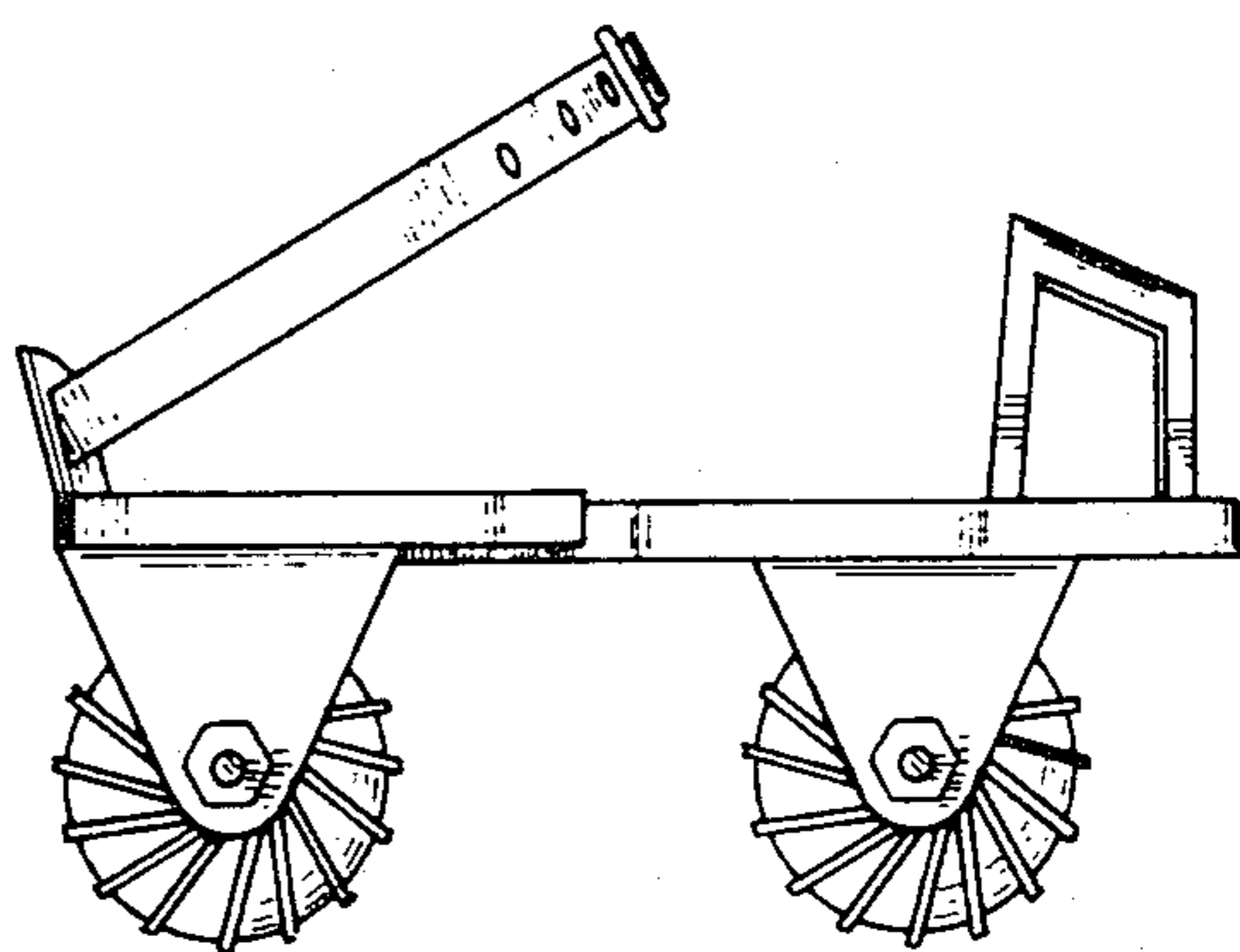


FIG. 2

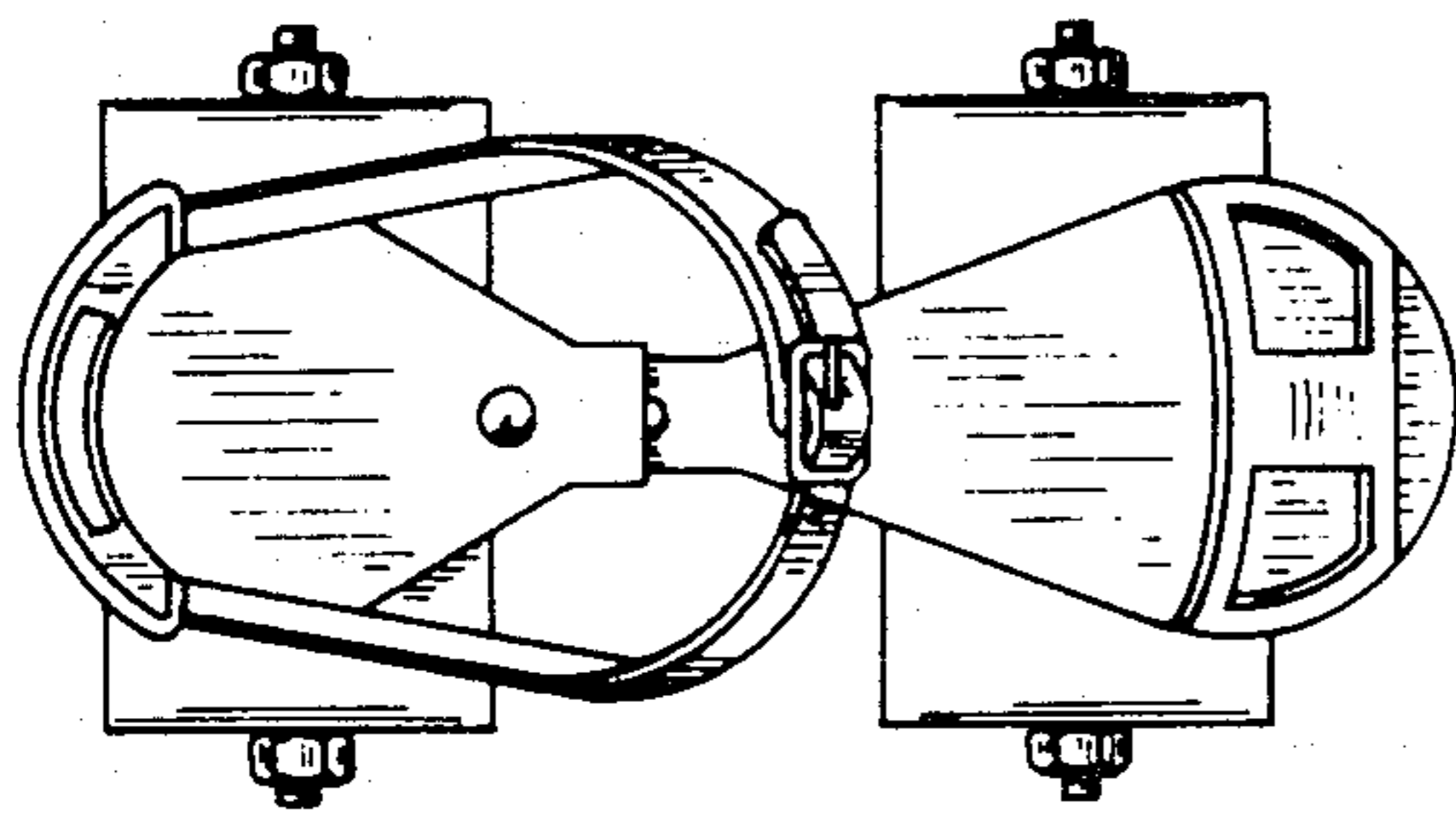


FIG. 3

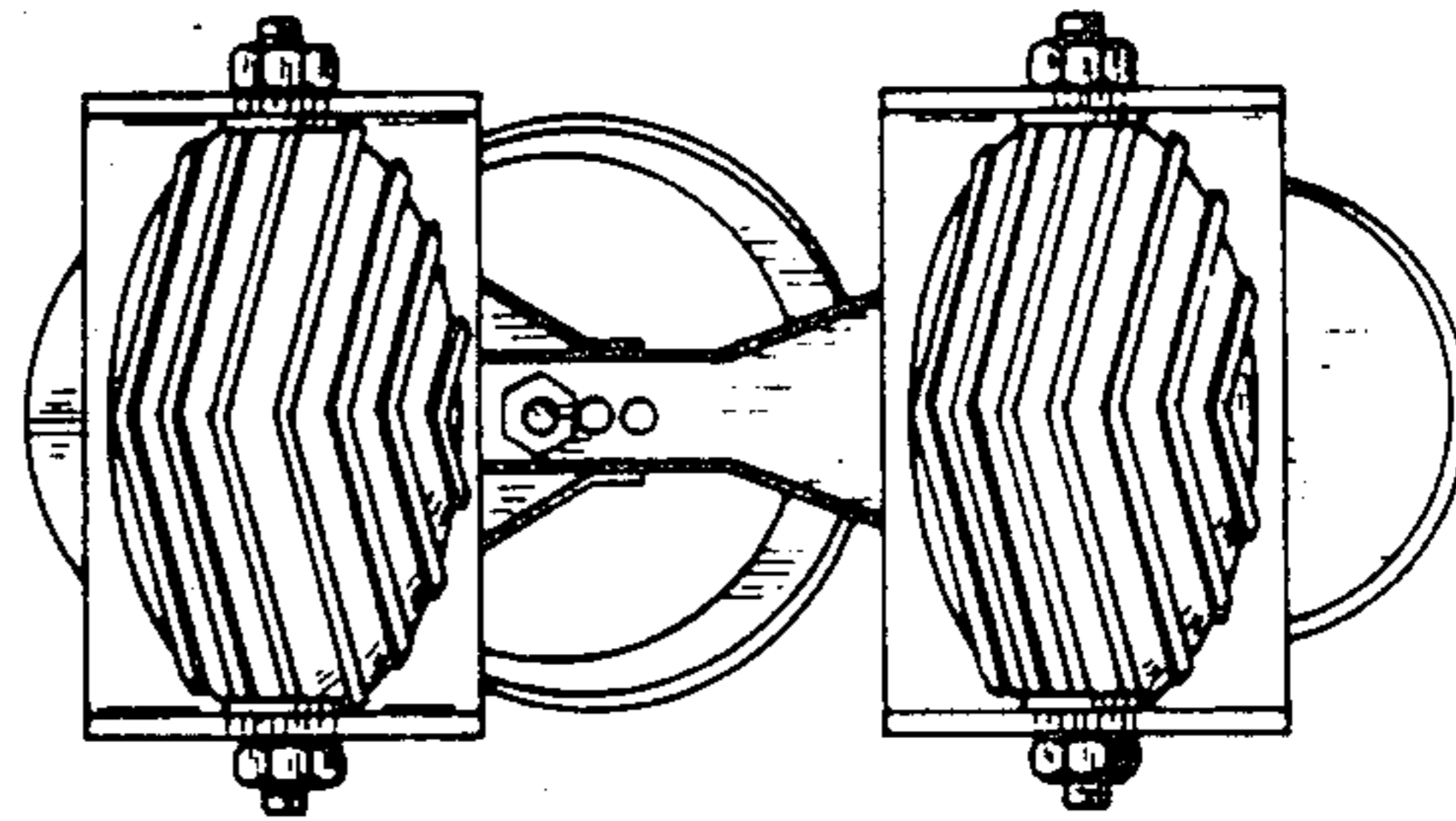


FIG. 4

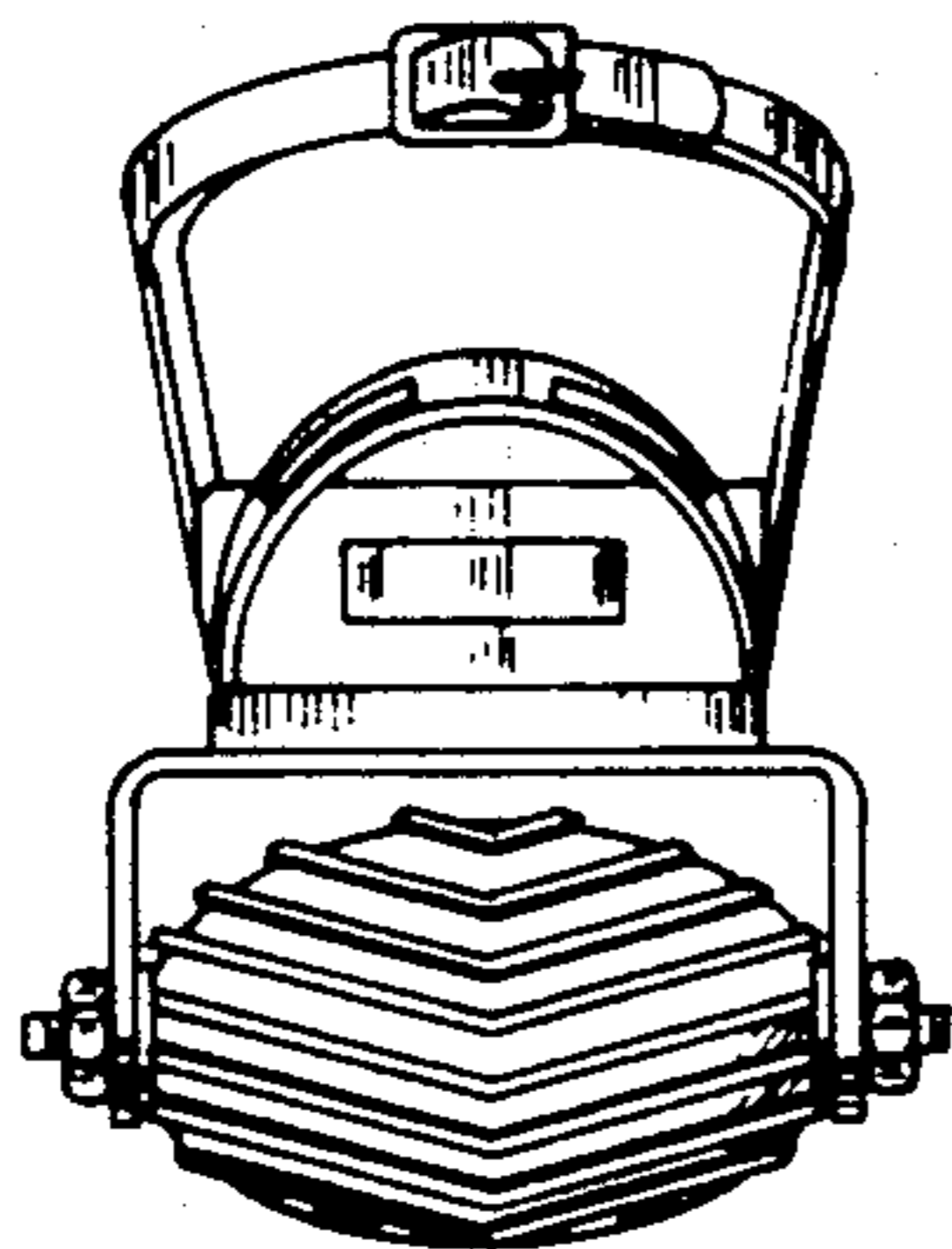


FIG. 5

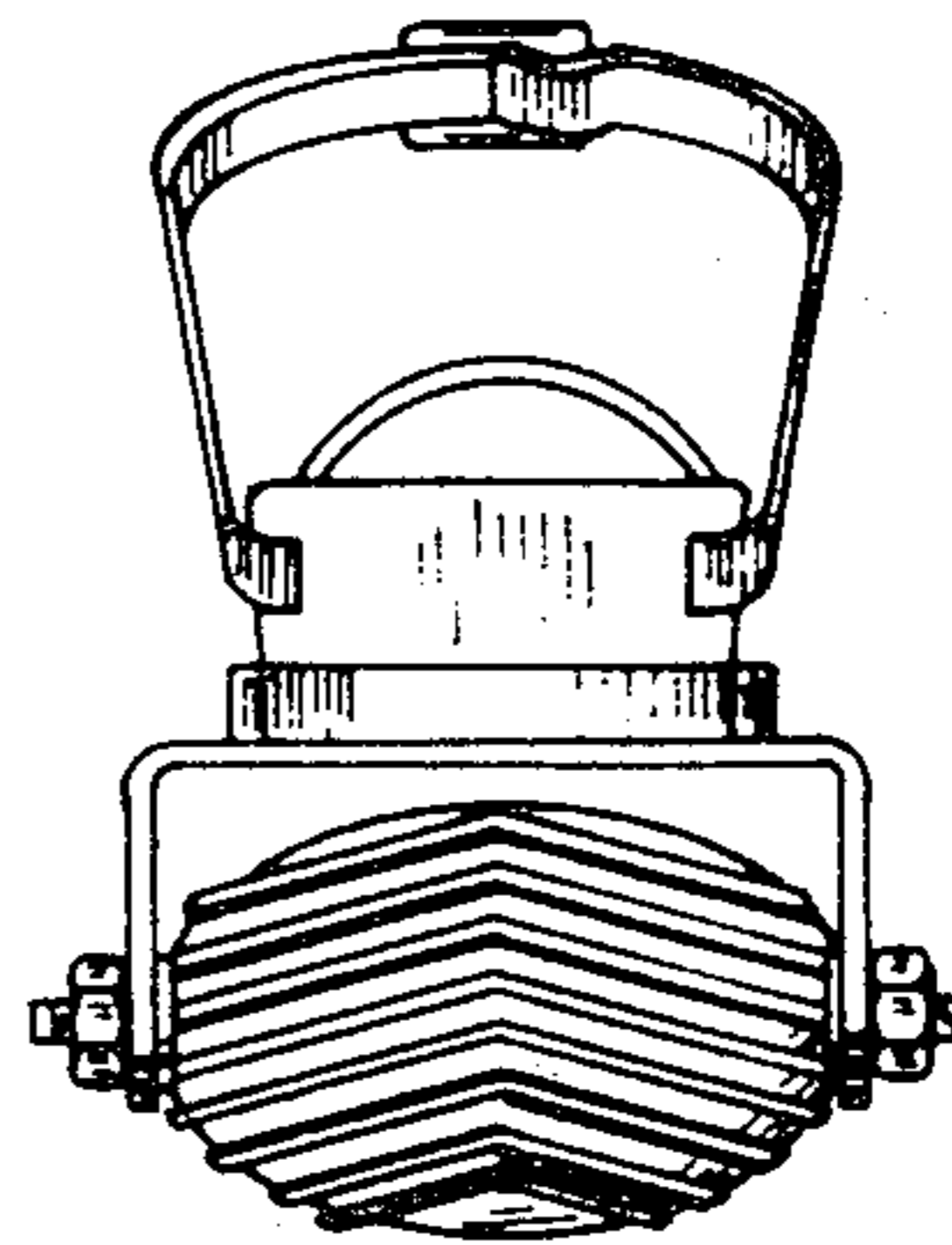


FIG. 6