

[54] BUBBLE PIPE

[75] Inventor: Harry Brown, Wilmette, Ill.

[73] Assignee: Strombecker Corporation, Chicago, Ill.

[\*\*] Term: 14 Years

[21] Appl. No.: 428,838

[22] Filed: Sep. 30, 1982

[52] U.S. Cl. .... D21/61

[58] Field of Search ..... D21/61; 446/15, 16, 446/17, 18, 19, 20

[56] References Cited

U.S. PATENT DOCUMENTS

D. 266,695	10/1982	Trammu	.....	D21/61
430,095	6/1890	Thain	.....	D21/61
3,295,248	1/1967	Knerr et al.	.....	446/15
4,229,902	10/1980	Smith	.....	446/19
4,246,717	1/1981	Wachtel	.....	446/19

Primary Examiner—Charles A. Rademaker

Attorney, Agent, or Firm—Allegretti, Newitt, Witcoff & McAndrews, Ltd.

[57] CLAIM

The ornamental design for a bubble pipe, as shown and described.

DESCRIPTION

FIG. 1 is a perspective view of a bubble pipe showing my new design;  
 FIG. 2 is a rear elevational view thereof;  
 FIG. 3 is a side elevational view thereof;  
 FIG. 4 is a front elevational view thereof;  
 FIG. 5 is a cross-sectional view thereof taken along lines 5—5 in FIG. 3;  
 FIG. 6 is a perspective view of the nozzle insert member;  
 FIG. 7 is a modified embodiment of the nozzle insert member shown in FIG. 6;  
 FIG. 8 is a front elevational view thereof;  
 FIG. 9 is a side elevational view thereof;  
 FIG. 10 is a perspective view of a second modified embodiment of the nozzle insert member;  
 FIG. 11 is a front elevational view thereof;  
 FIG. 12 is a side elevational view thereof.

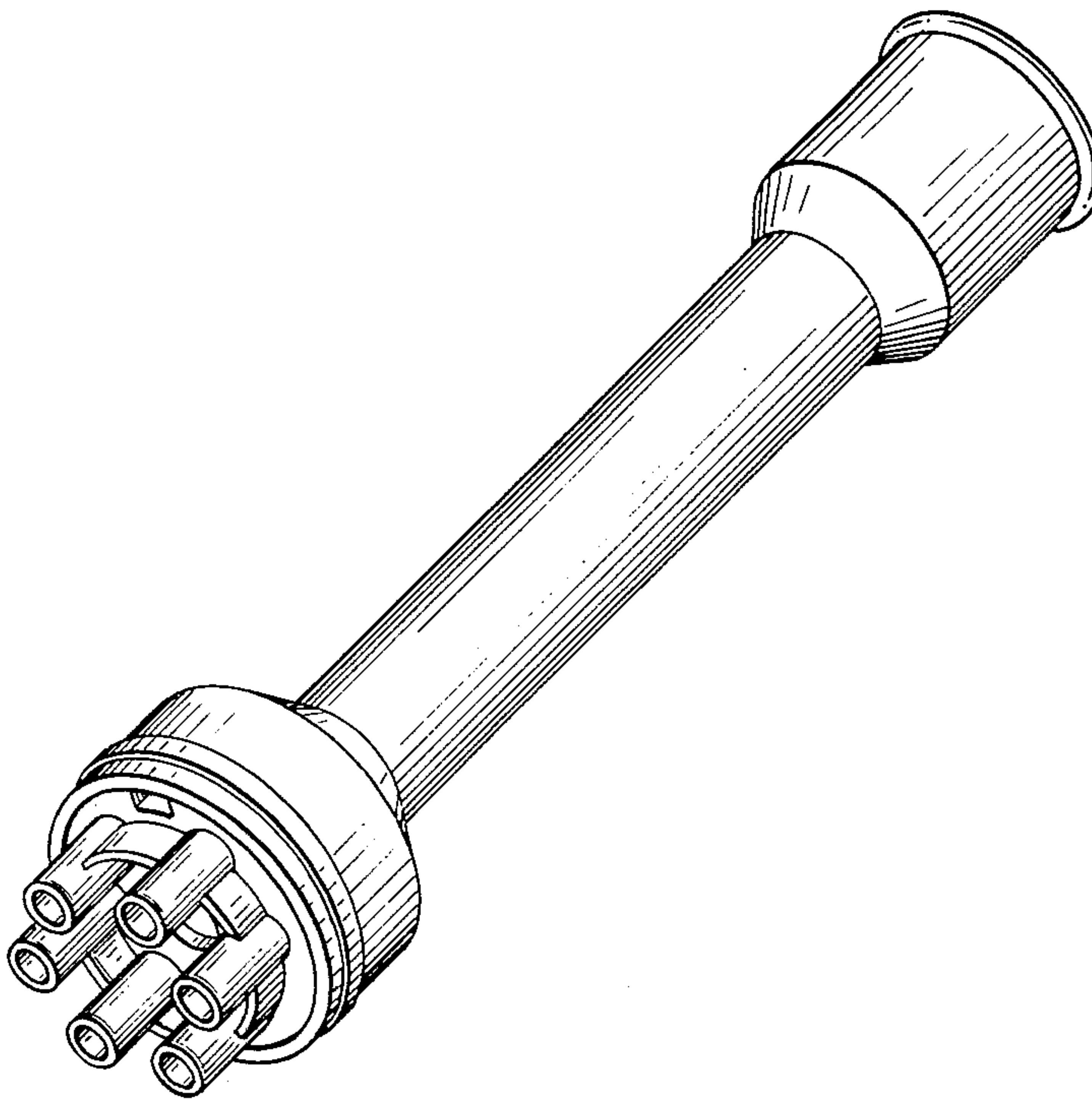


Fig. 1

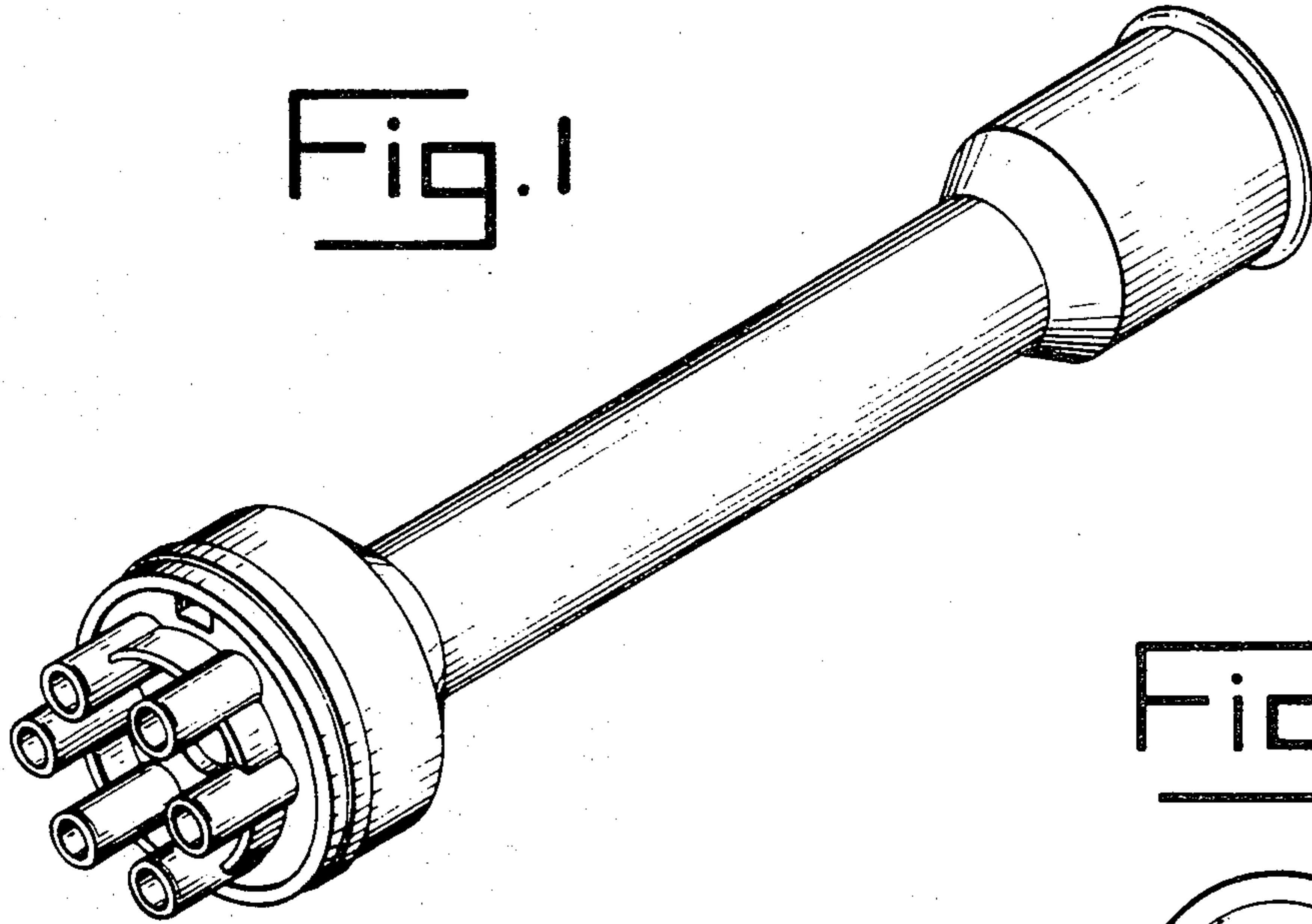


Fig. 2

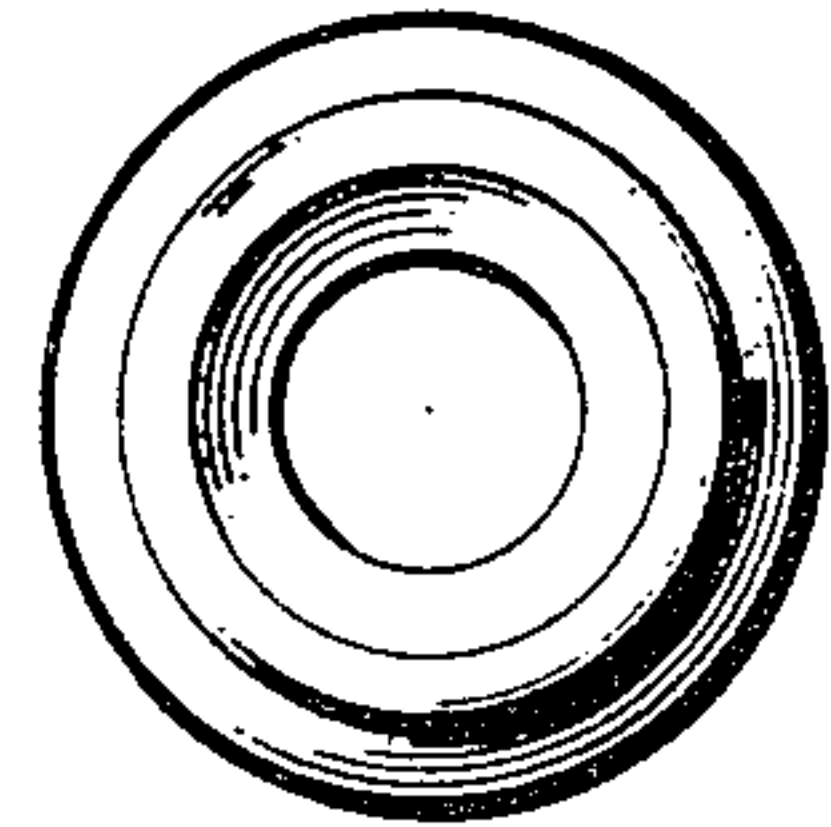


Fig. 3

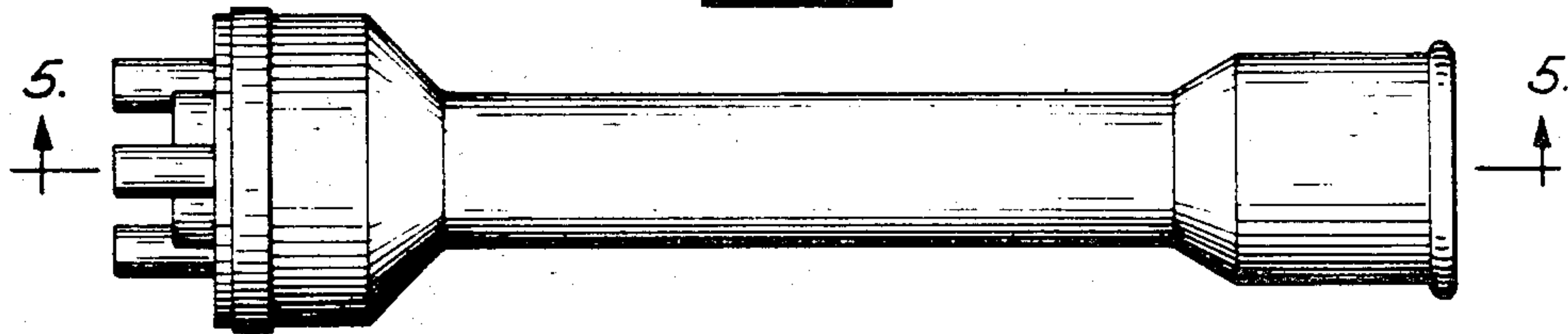


Fig. 4

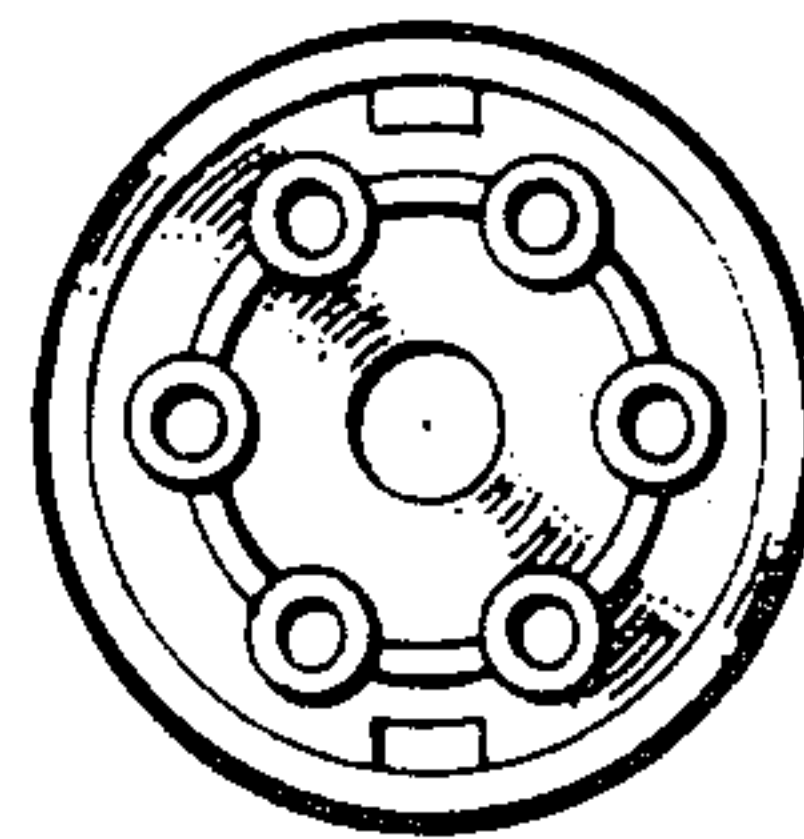


Fig. 5

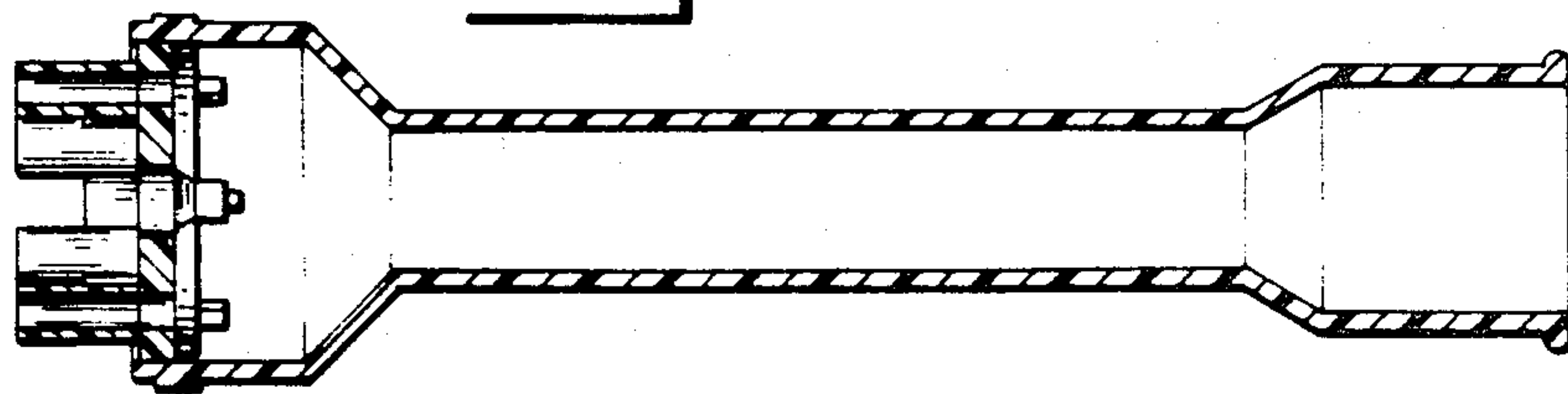


Fig. 6

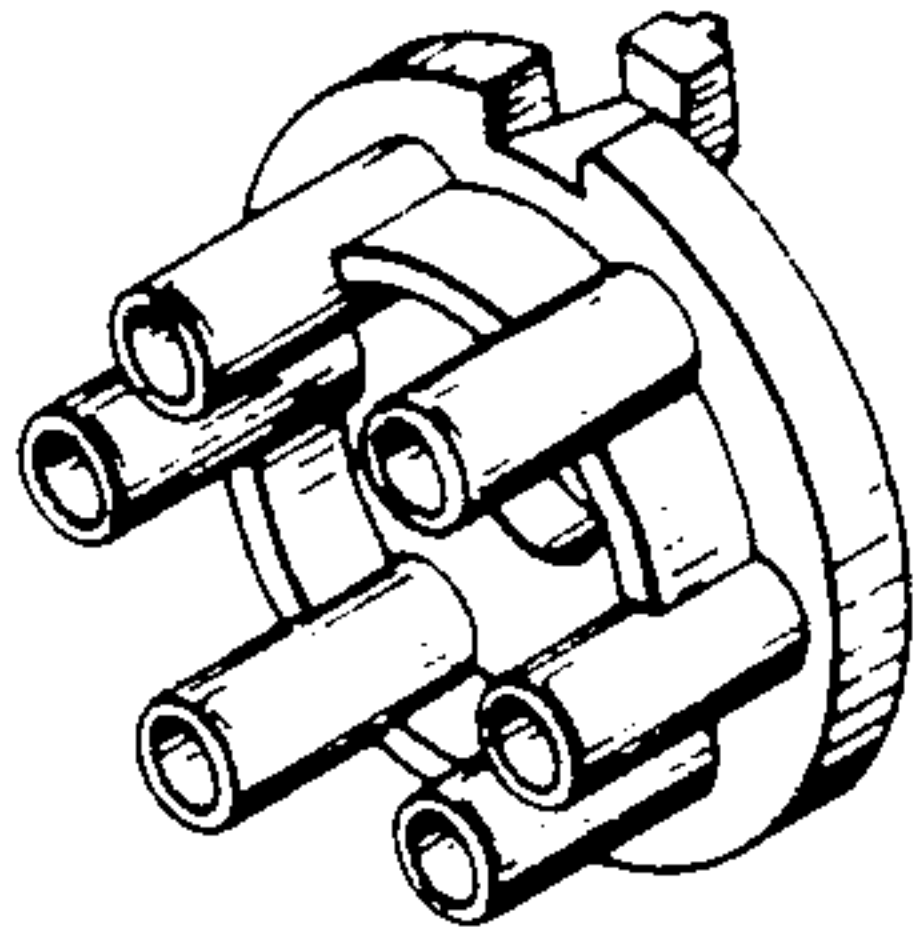


Fig. 7

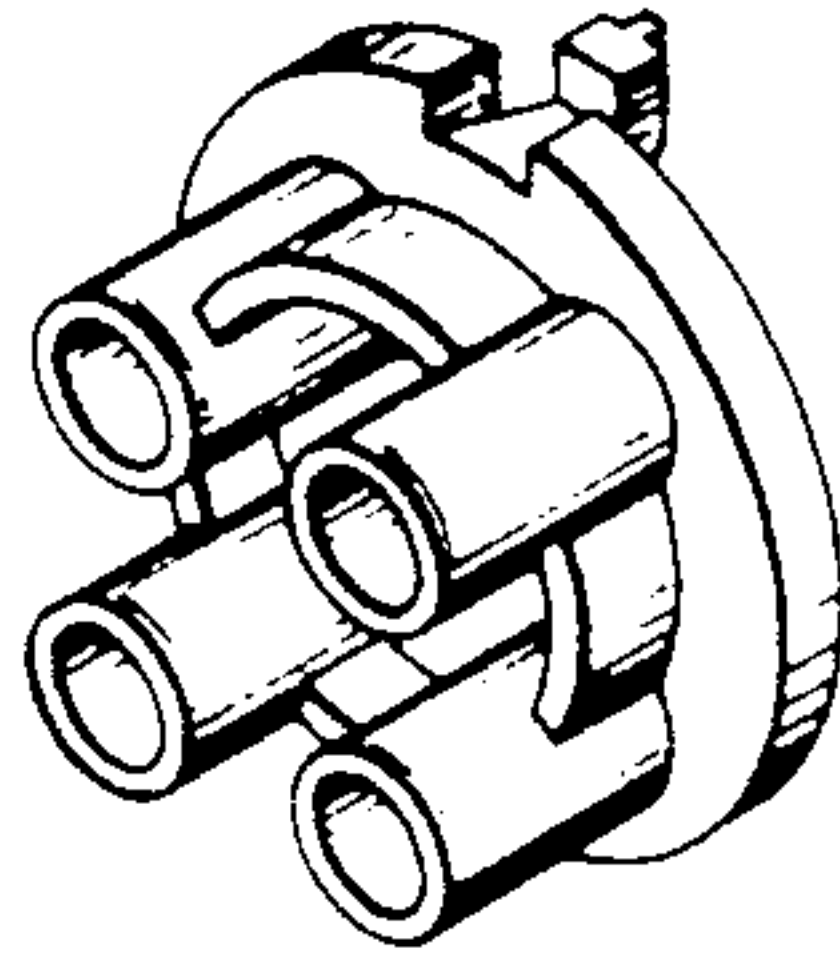


Fig. 8

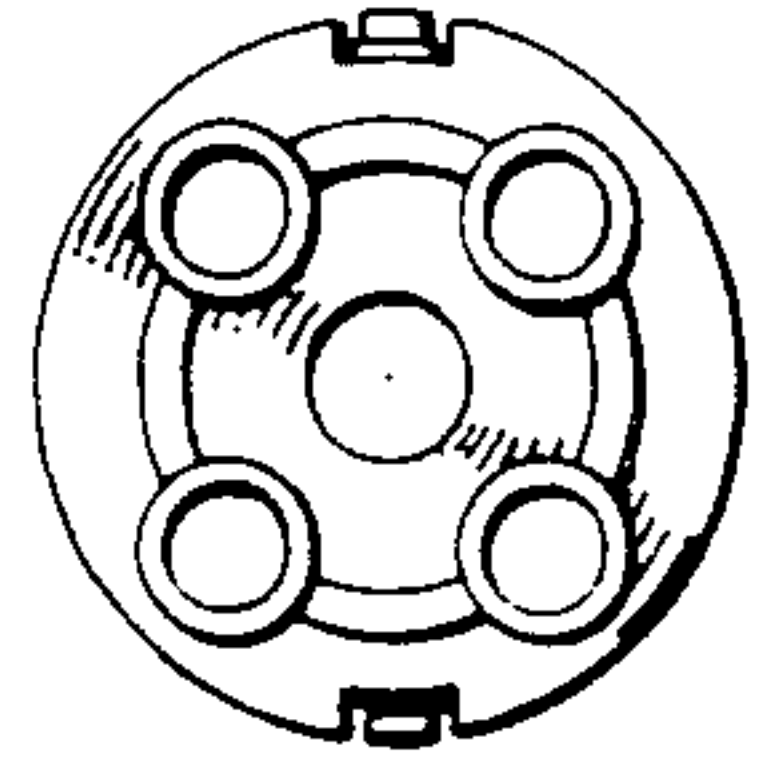


Fig. 9



Fig. 10

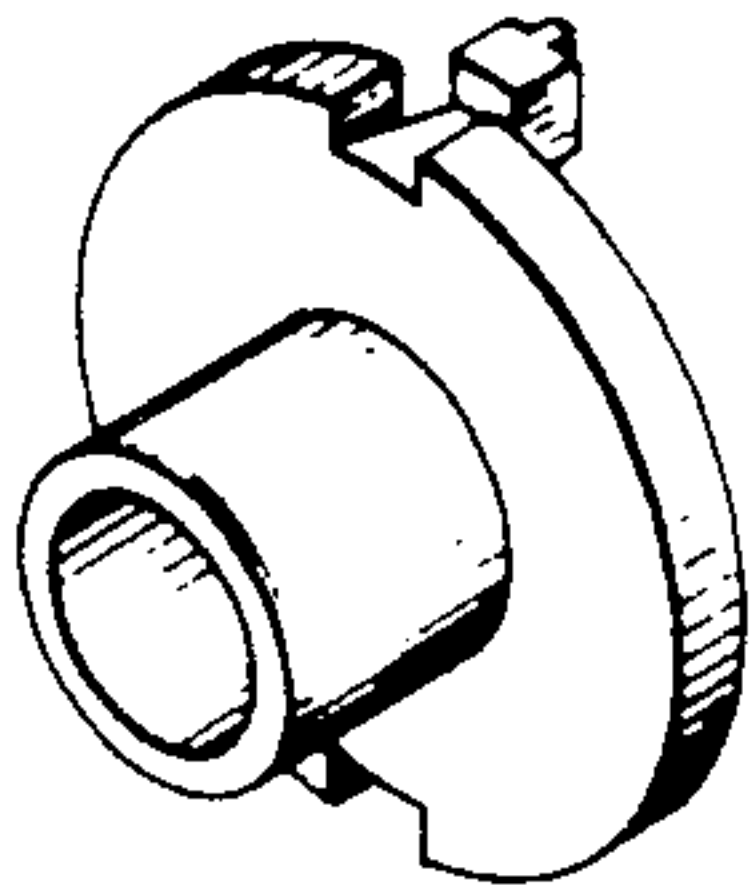


Fig. 11

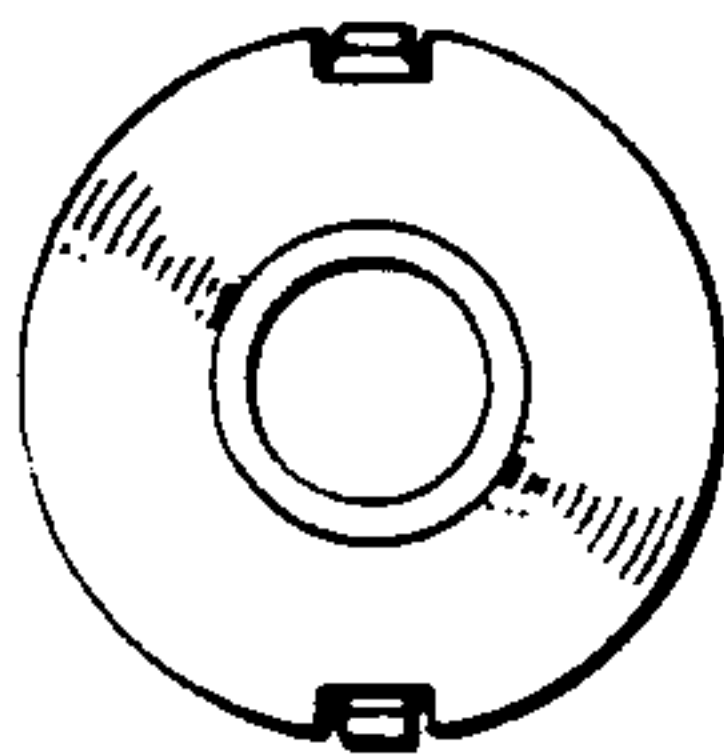


Fig. 12

