

[54] **ACTIVITY TOY**

[75] **Inventor: Yasushi Chatani, Tokorozawa, Japan**

[73] **Assignee: Kawada Co., Ltd., Tokyo, Japan**

[\*\*] **Term: 14 Years**

[21] **Appl. No.: 402,287**

[22] **Filed: Jul. 27, 1982**

[30] **Foreign Application Priority Data**

Jun. 2, 1982 [JP] Japan ..... 57-24075  
[52] **U.S. Cl. .... D21/59; D21/64**  
[58] **Field of Search ..... D21/59, 64, 65, 112;**  
46/1 R, 1 A, 91, 175, 189; 434/258, 128

[56]

**References Cited**

**U.S. PATENT DOCUMENTS**

D. 208,415 8/1967 Musser ..... D21/64  
D. 223,847 6/1972 Laughlin ..... D21/59  
D. 266,681 10/1982 Yoshimura ..... D21/59  
2,530,898 11/1950 Morrison ..... 46/1 A

*Primary Examiner*—Charles A. Rademaker  
*Attorney, Agent, or Firm*—Don B. Finkelstein

[57]

**CLAIM**

The ornamental design for activity toy, as shown.

**DESCRIPTION**

FIG. 1 is a perspective view of an activity toy showing my new design.

FIG. 2 is a top plan view thereof;

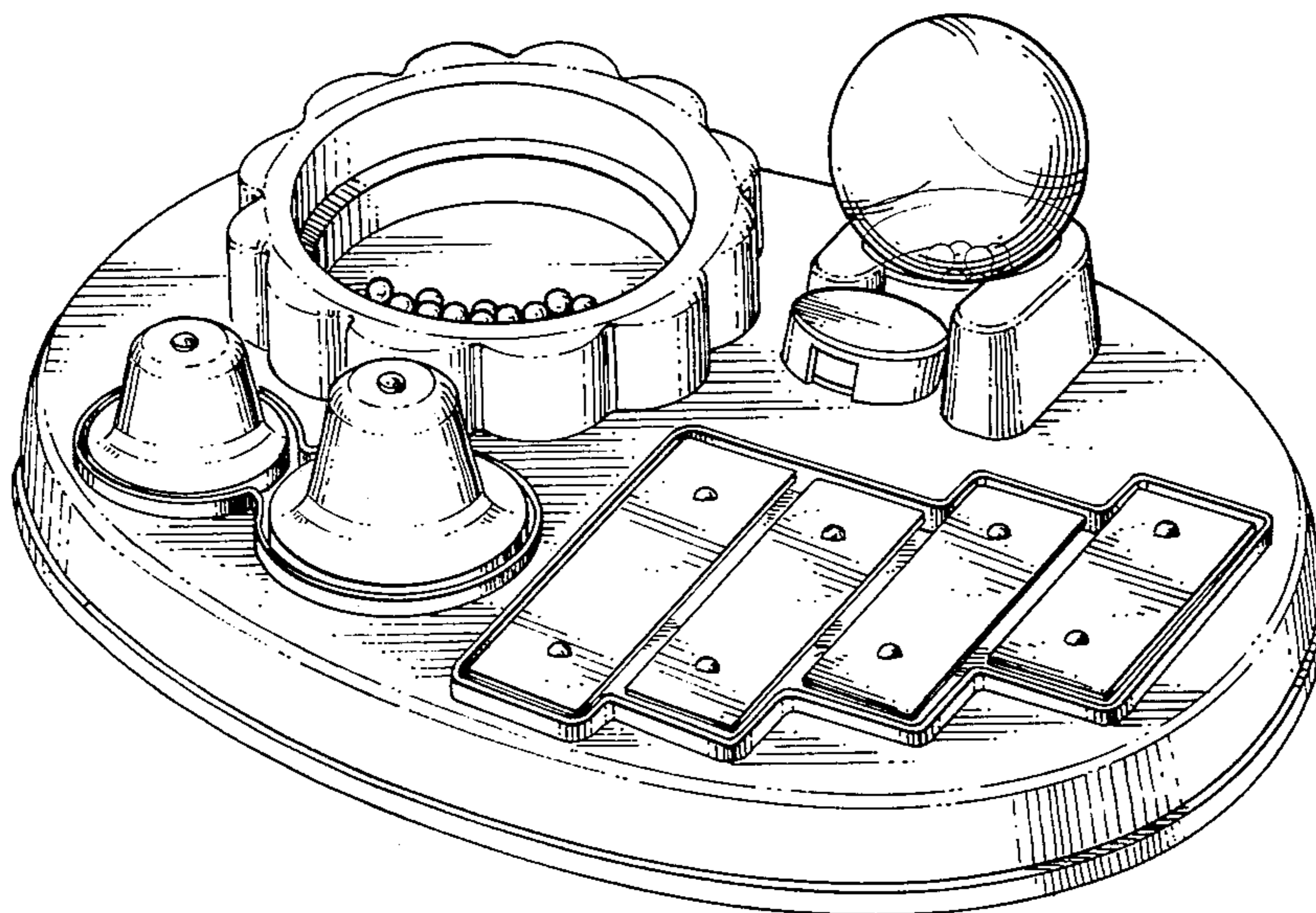
FIG. 3 is a right side elevational view thereof;

FIG. 4 is a left side elevational view thereof;

FIG. 5 is a front elevational view thereof;

FIG. 6 is a rear elevational view thereof; and

FIG. 7 is a bottom plan view thereof.



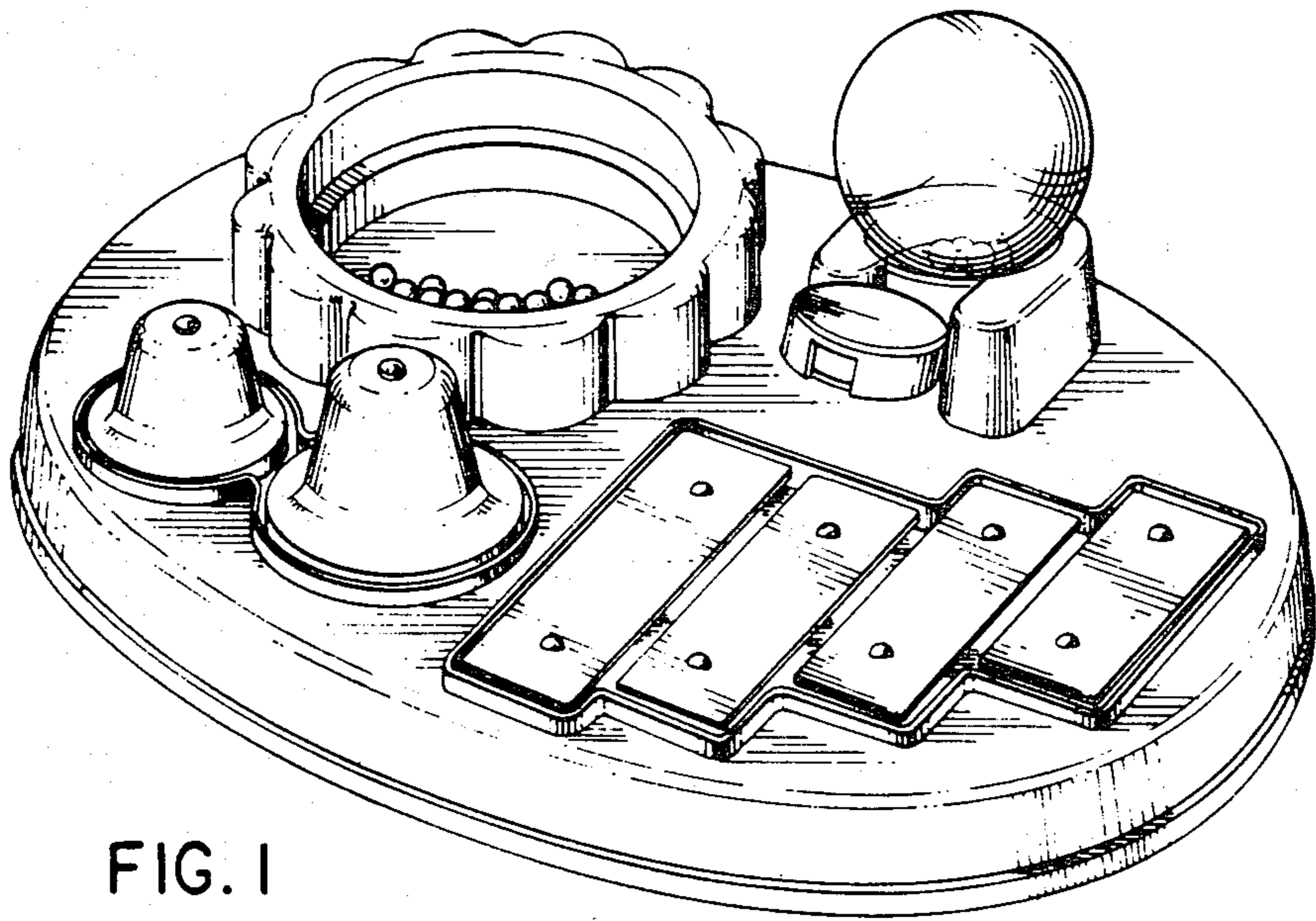


FIG. 1

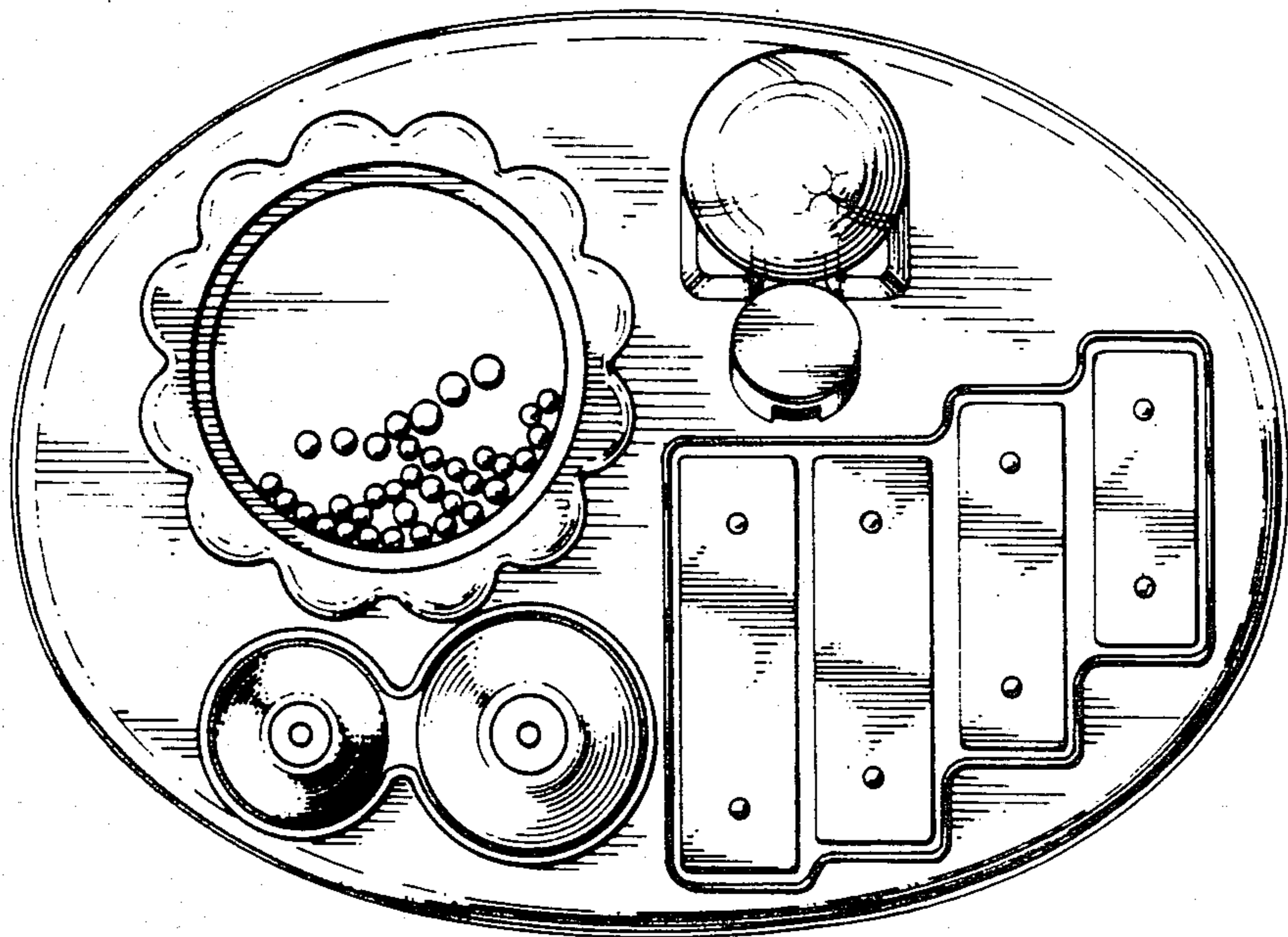


FIG. 2

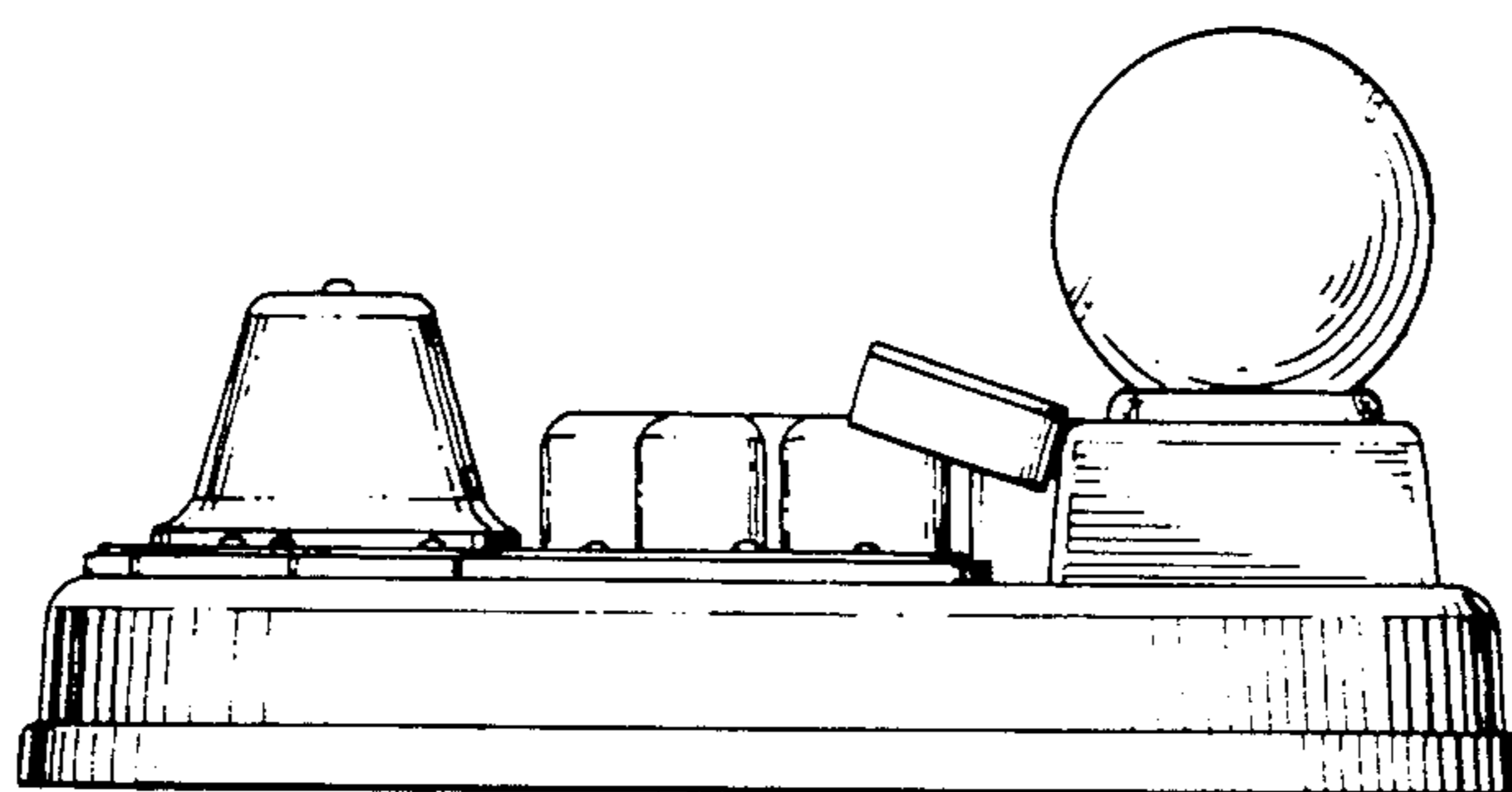


FIG. 3

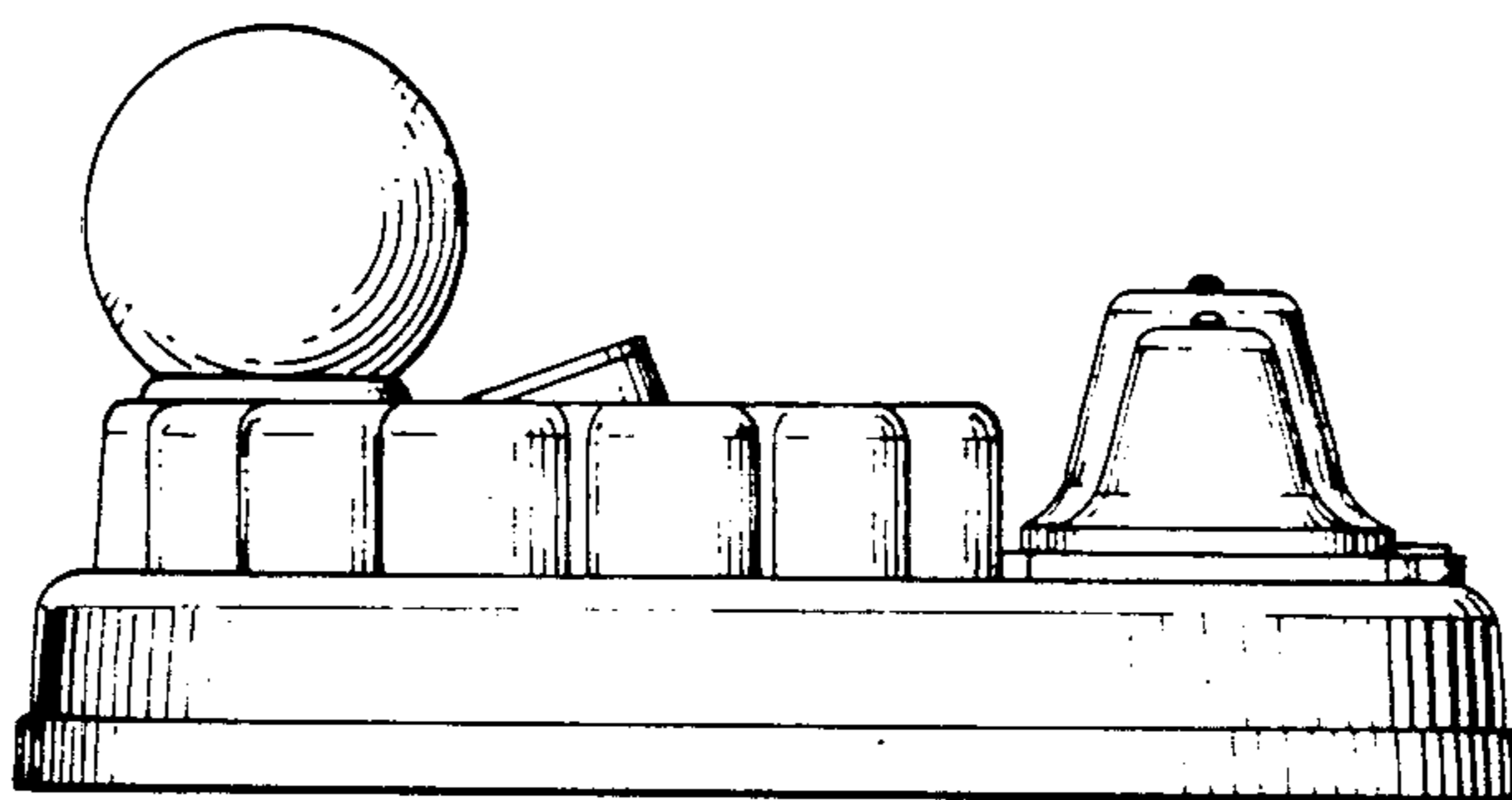


FIG. 4

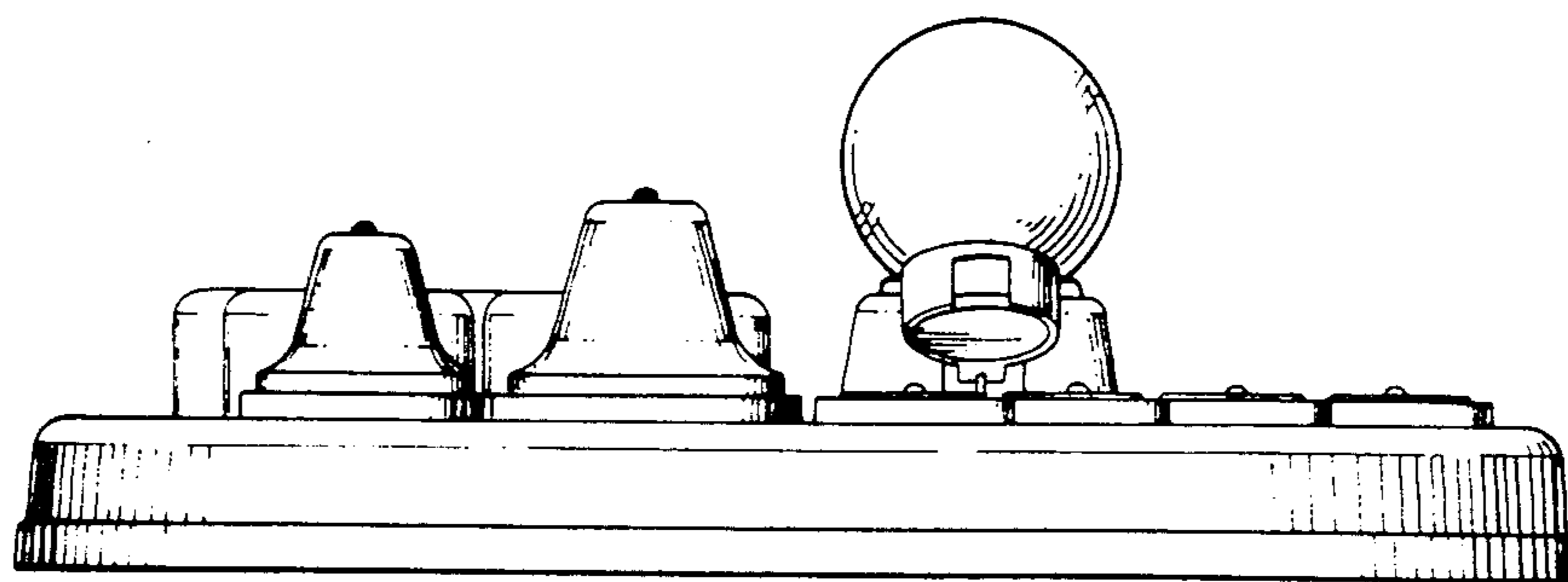


FIG. 5

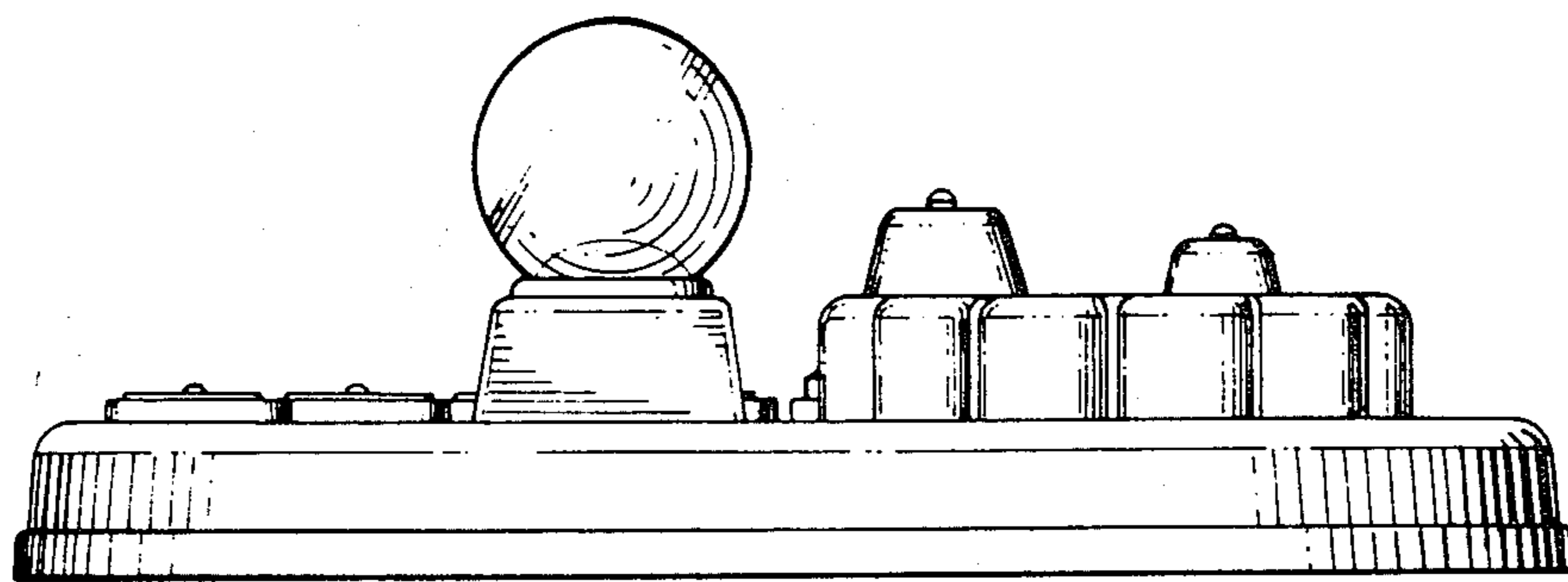


FIG. 6

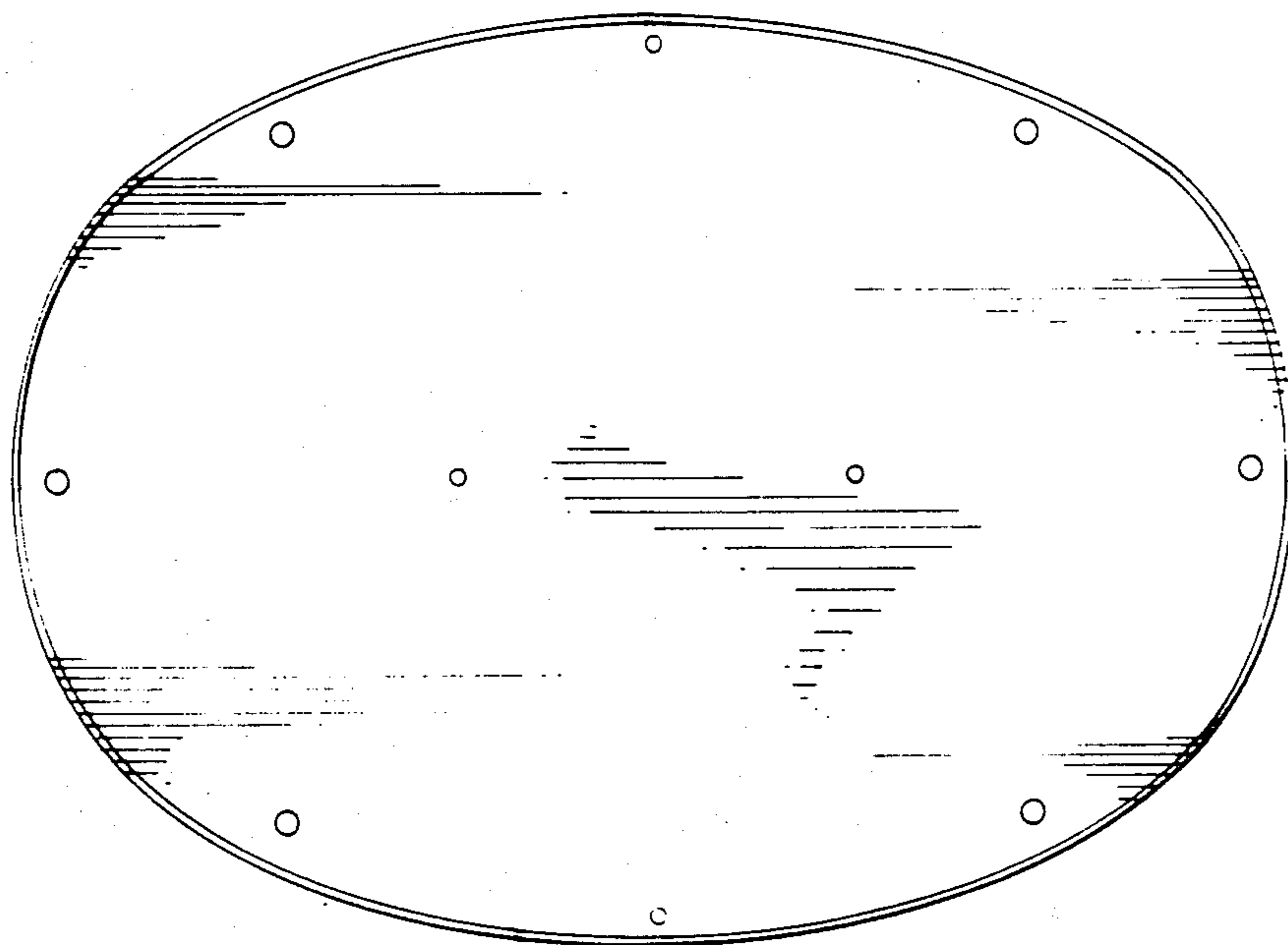


FIG. 7