

[54] PAPER FEED MECHANISM FOR A PRINTER, TYPEWRITER, OR THE LIKE

[76] Inventor: Kurt Rünzl, Küssnachterstrasse 59, CH 8126 Zumikon, Switzerland

[**] Term: 14 Years

[21] Appl. No.: 445,425

[22] Filed: Nov. 30, 1982

[30] Foreign Application Priority Data

Oct. 14, 1982 [CH] Switzerland 72688
 [52] U.S. Cl. D18/12; D18/22
 [58] Field of Search D18/1, 2, 12, 22;
 400/624, 625, 629, 636, 636.2, 642, 646, 647,
 647.1, 689-694

[56] References Cited

U.S. PATENT DOCUMENTS

D. 183,495 9/1958 Riffert D18/12
 D. 261,153 10/1981 Cathey D18/22
 4,407,597 10/1983 Kapp 400/629 X

Primary Examiner—Louis S. Zarfes
 Attorney, Agent, or Firm—Frishauf, Holtz, Goodman & Woodward

[57] CLAIM

The ornamental design for a paper feed mechanism for a printer, typewriter, or the like, as shown and described.

DESCRIPTION

FIG. 1 is a front right perspective view of a paper feed mechanism for a printer, typewriter, or the like showing my new design, the broken line disclosure of paper and printer being illustrative of environment only; FIG. 2 is a top rear left perspective view; and FIG. 3 is a top left perspective view. The unseen bottom surfaces are unornamented.

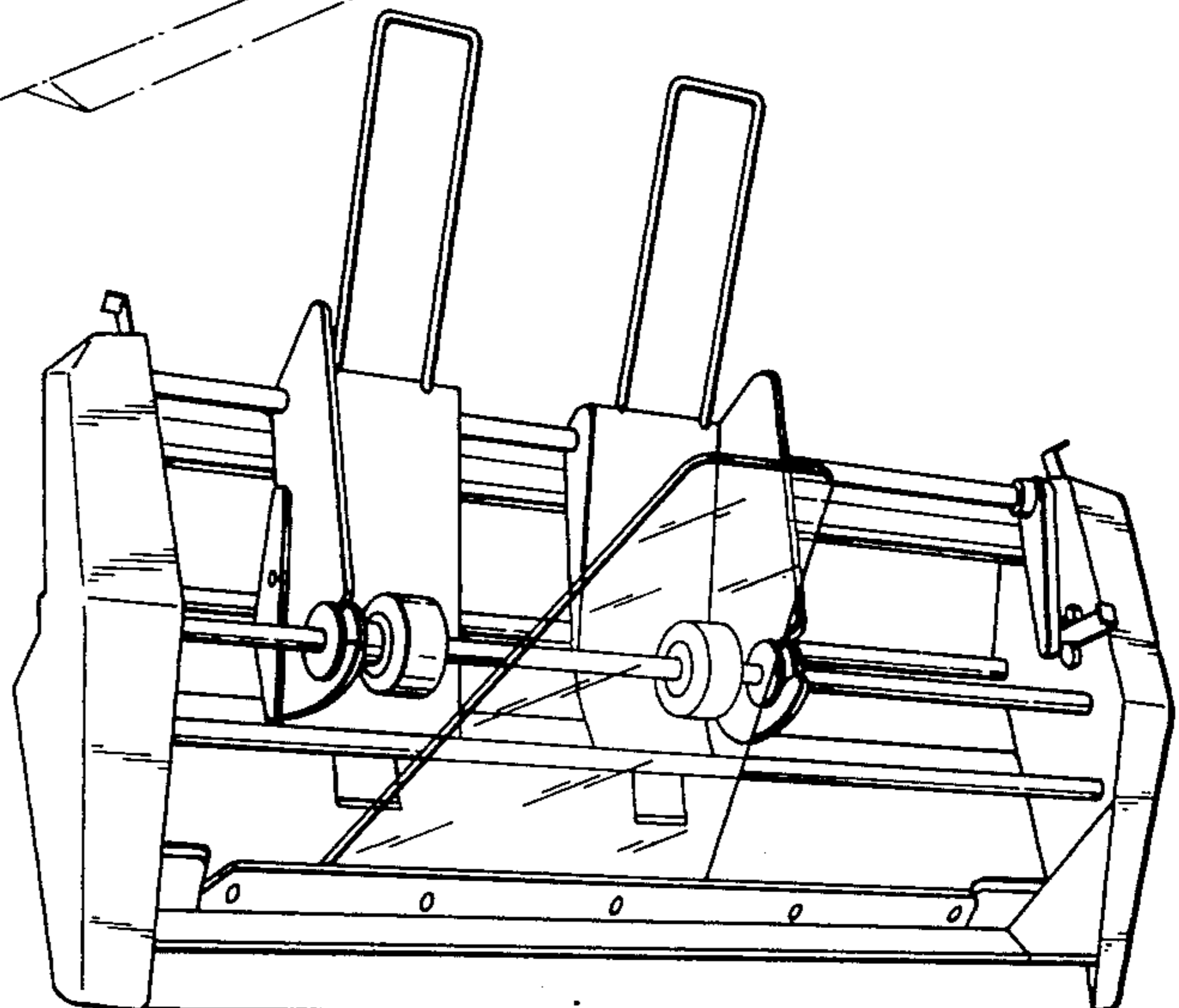
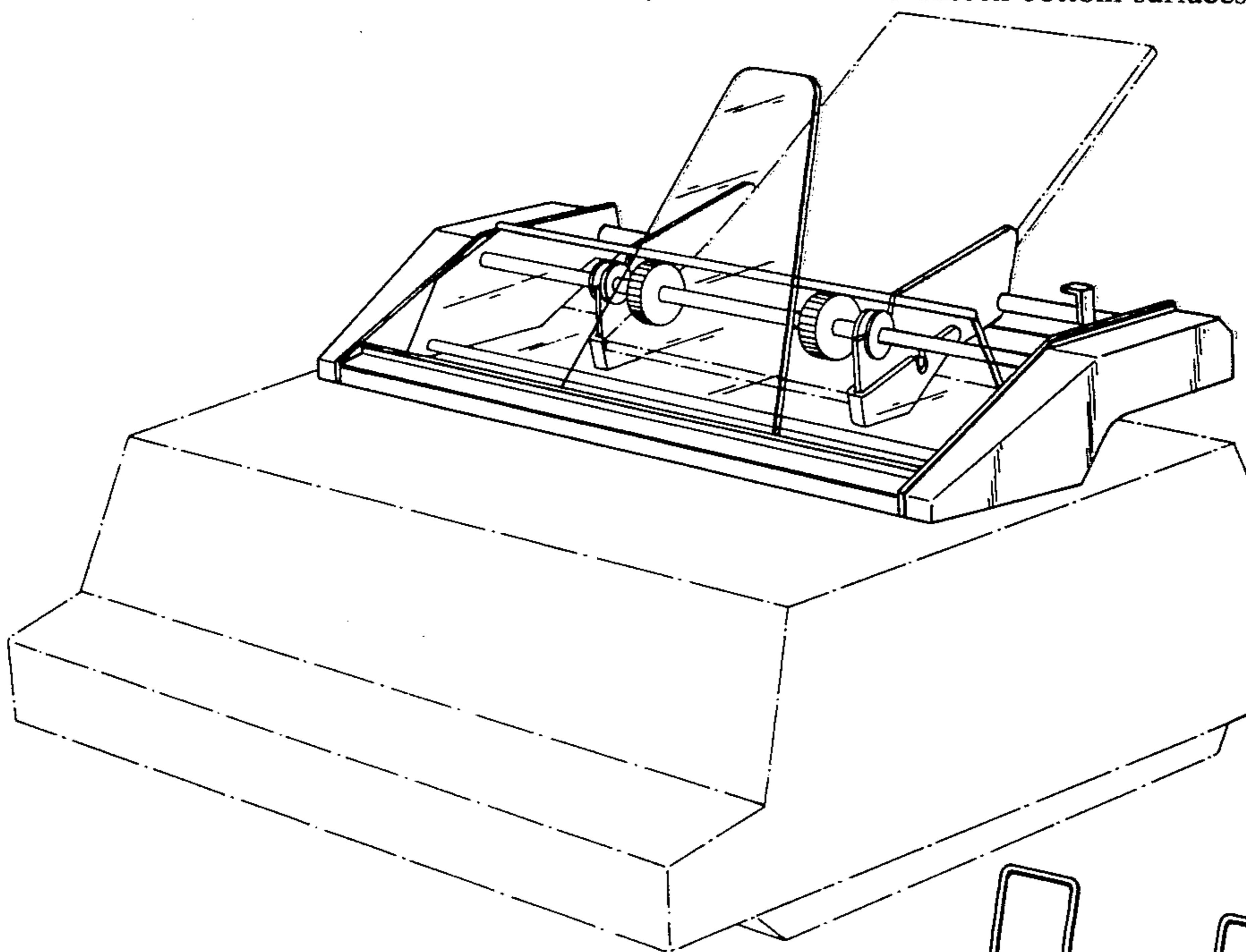


Fig. 1

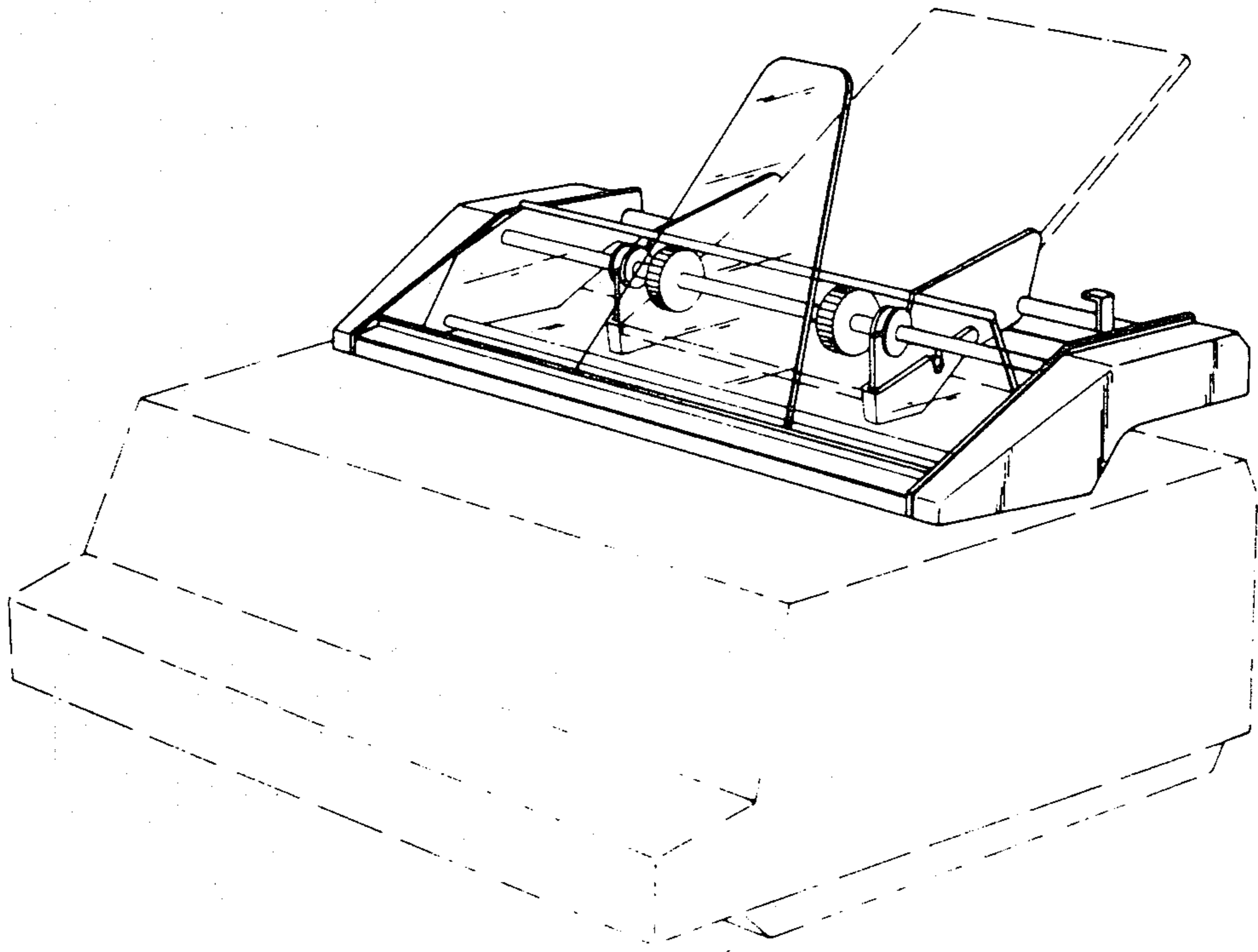


Fig. 2

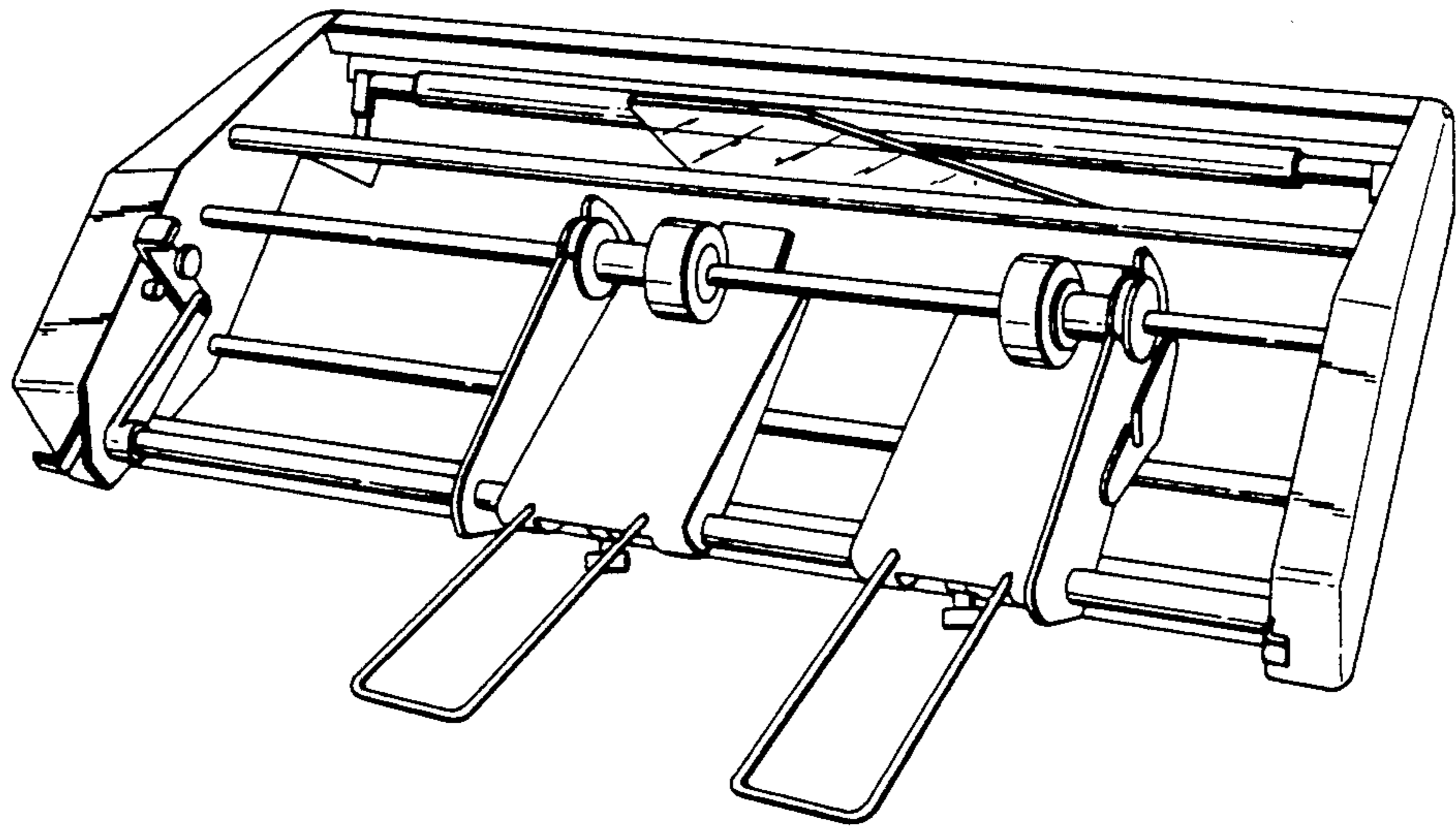
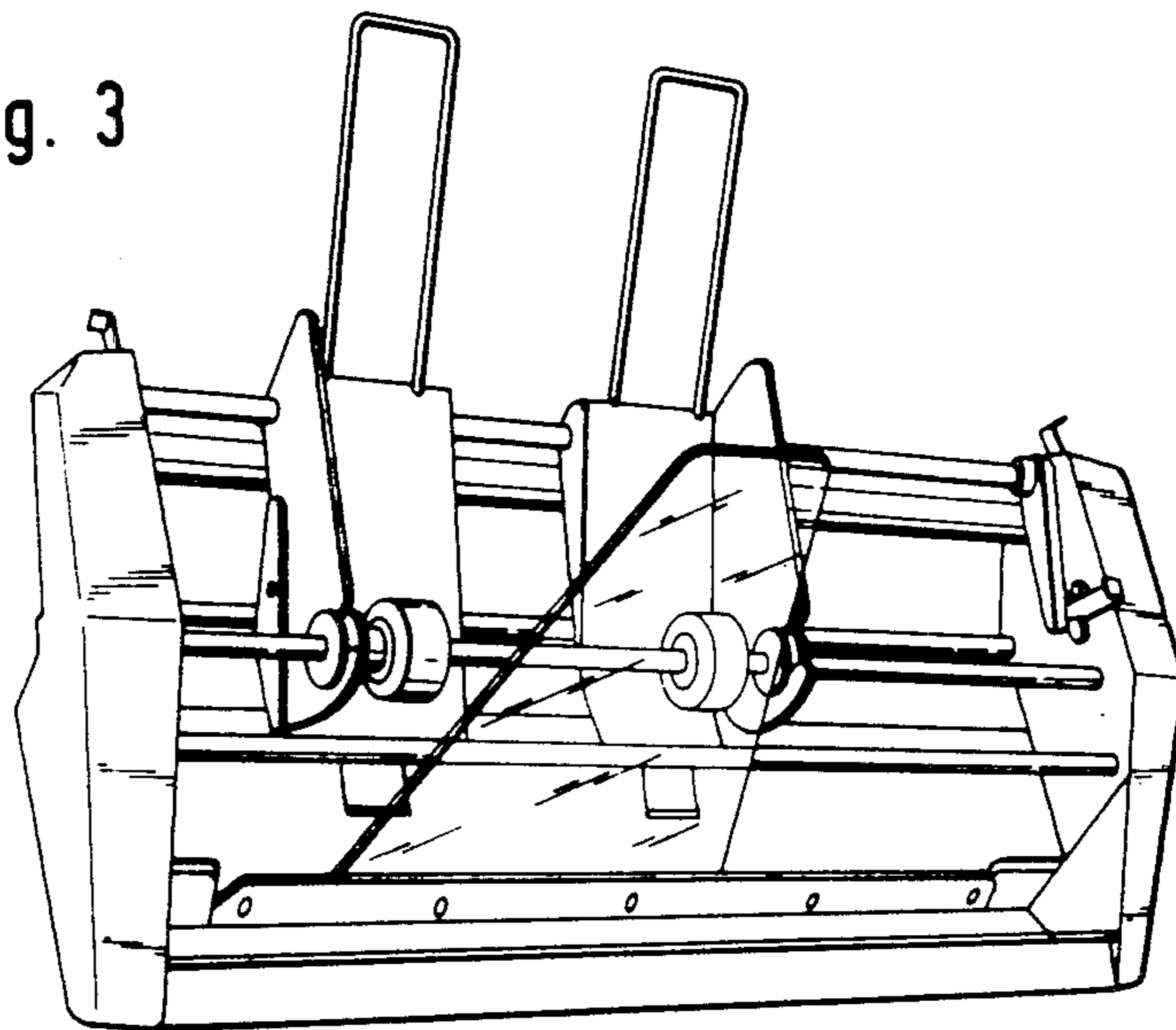


Fig. 3



UNITED STATES PATENT AND TRADEMARK OFFICE
CERTIFICATE OF CORRECTION

PATENT NO. : Des. 277,872
DATED : March 5, 1985
INVENTOR(S) : Kurt Rünzi

It is certified that error appears in the above-identified patent and that said Letters Patent is hereby corrected as shown below:

On the title page, Item (76) Inventor:
"Kurt Rünzi" should read --Kurt Rünzi--.

Signed and Sealed this

Sixth Day of August 1985

[SEAL]

Attest:

DONALD J. QUIGG

Attesting Officer

Acting Commissioner of Patents and Trademarks