

[54] ELECTRONIC TYPEWRITER

[75] Inventor: Wayne C. Cathey, Bedford, Tex.

[73] Assignee: Xerox Corporation, Stamford, Conn.

[**] Term: 14 Years

[21] Appl. No.: 427,205

[22] Filed: Sep. 29, 1982

[52] U.S. Cl. D18/1

[58] Field of Search D18/1, 2, 12; D14/100; 400/689-694

[56] References Cited

U.S. PATENT DOCUMENTS

- D. 230,510 2/1974 Sakow D18/1
- D. 231,264 4/1974 Sakow D18/1

- D. 235,167 5/1975 Sakow D18/1
- D. 253,178 10/1979 Osit D18/1
- D. 253,658 12/1979 Fossella et al. D18/1

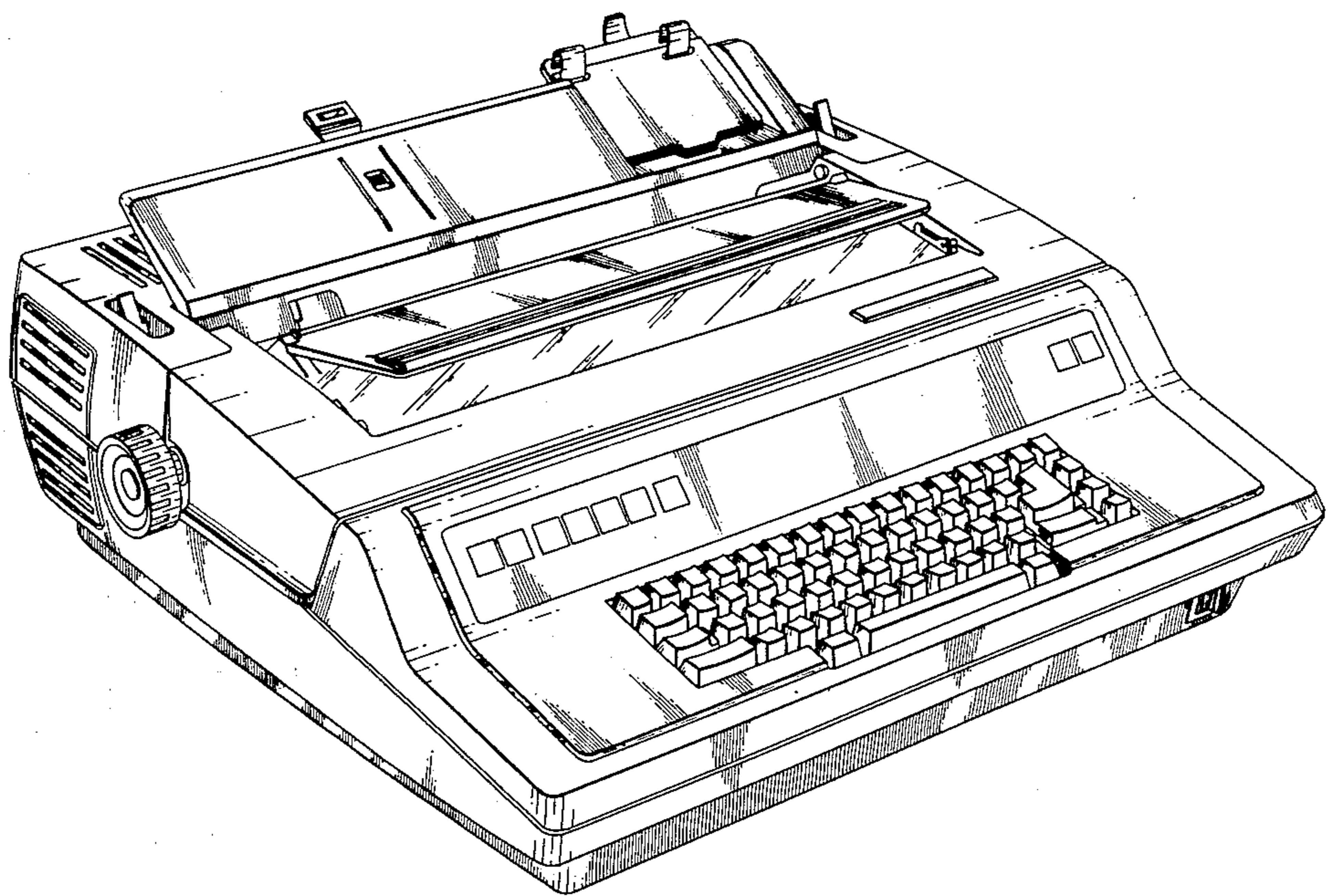
Primary Examiner—Louis S. Zarfes
Attorney, Agent, or Firm—Richard A. Tomlin

[57] CLAIM

The ornamental design for an electronic typewriter, substantially as shown and described.

DESCRIPTION

FIG. 1 is a front perspective view of an electronic typewriter showing my new design;
FIG. 2 is a right side elevational view thereof;
FIG. 3 is a left side elevational view thereof;
FIG. 4 is a top plan view thereof;
FIG. 5 is a front elevational view thereof; and
FIG. 6 is a rear elevational view thereof.



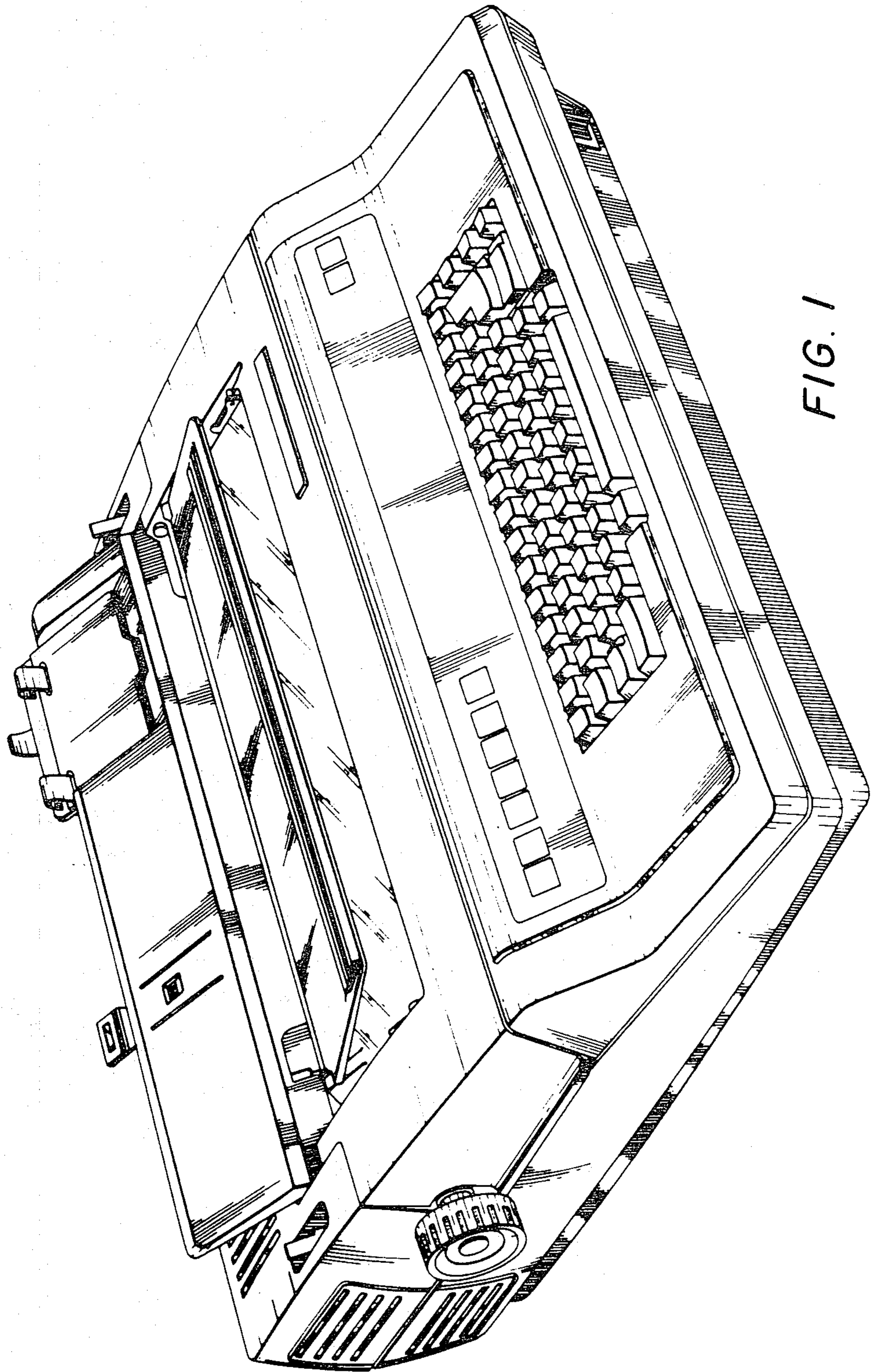


FIG. 1

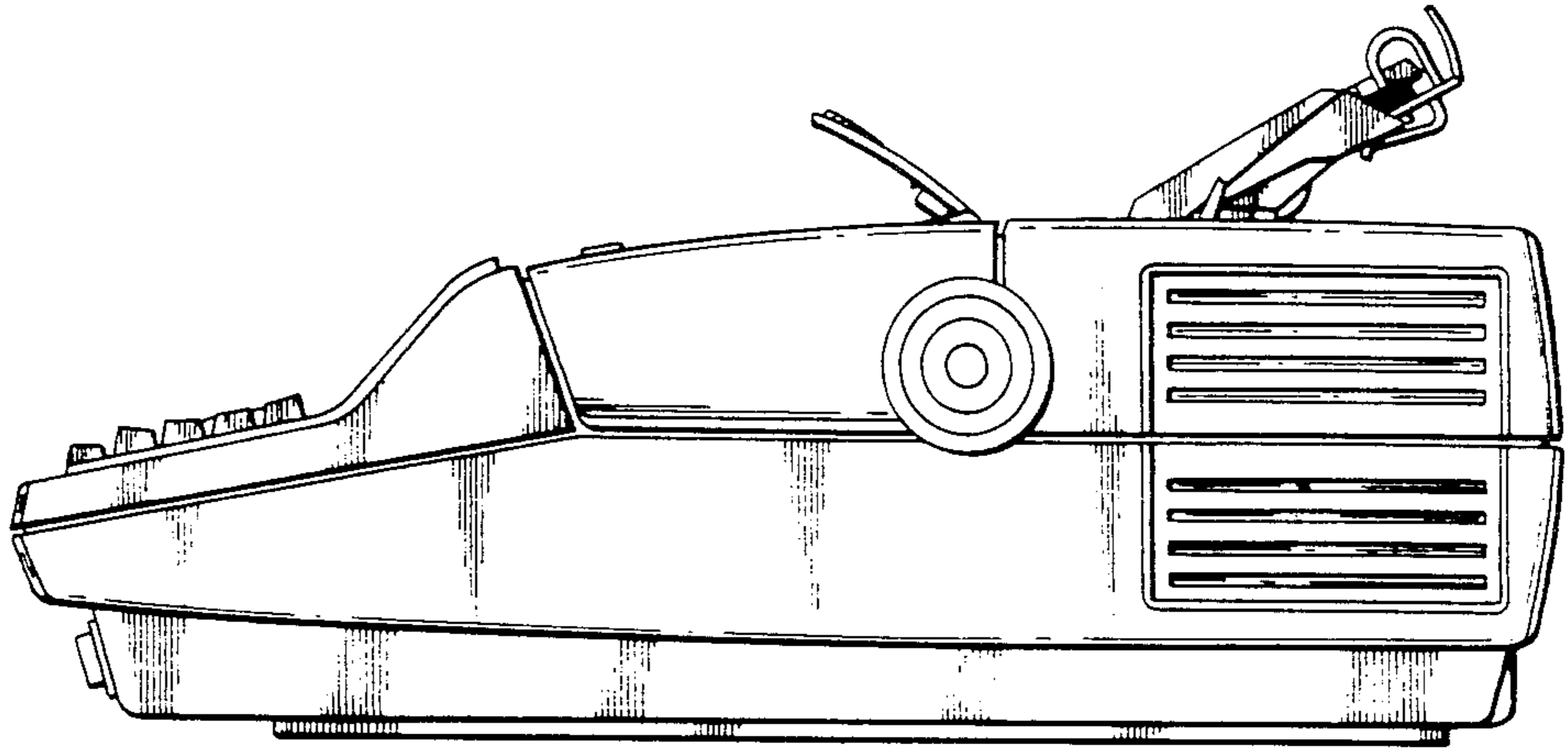


FIG. 2

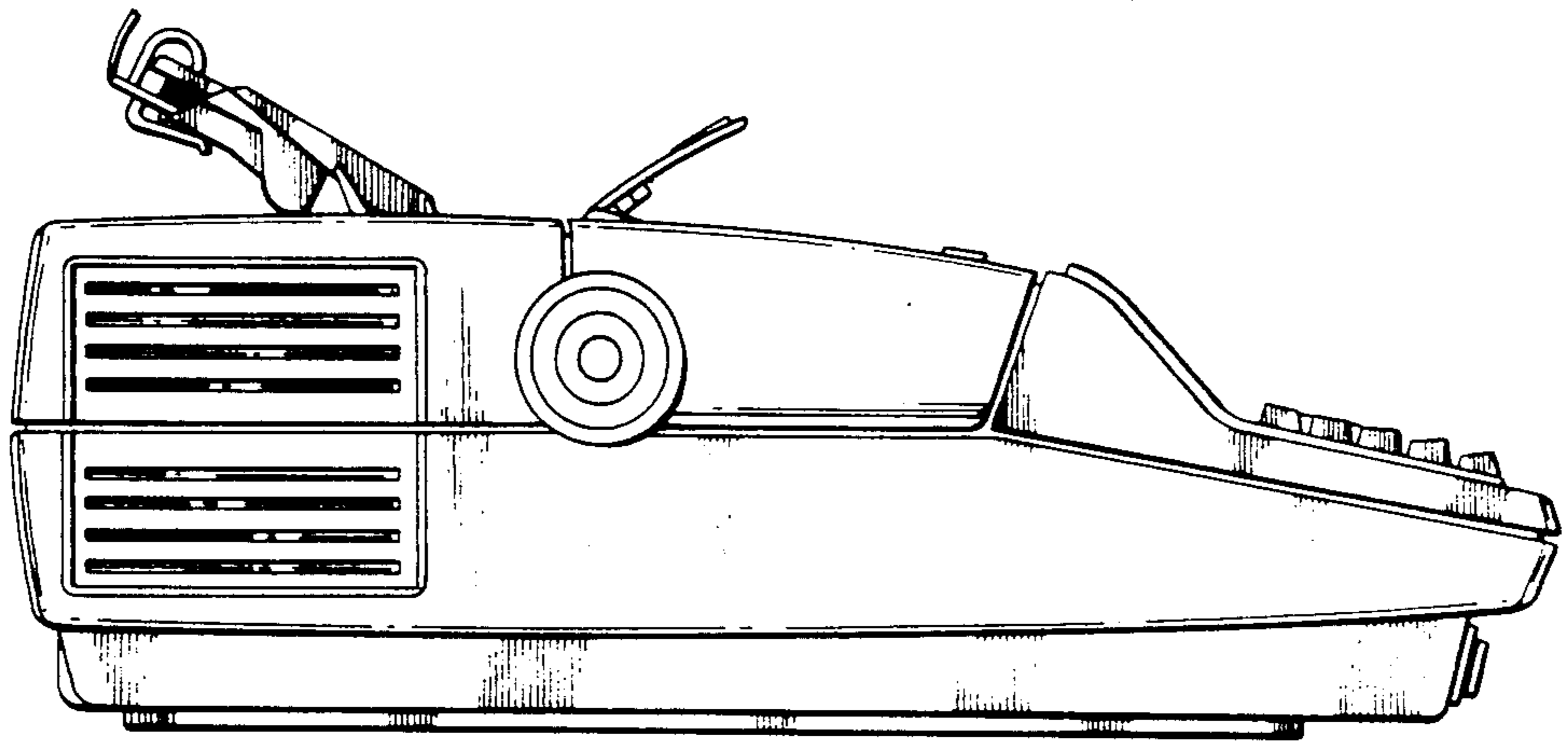


FIG. 3

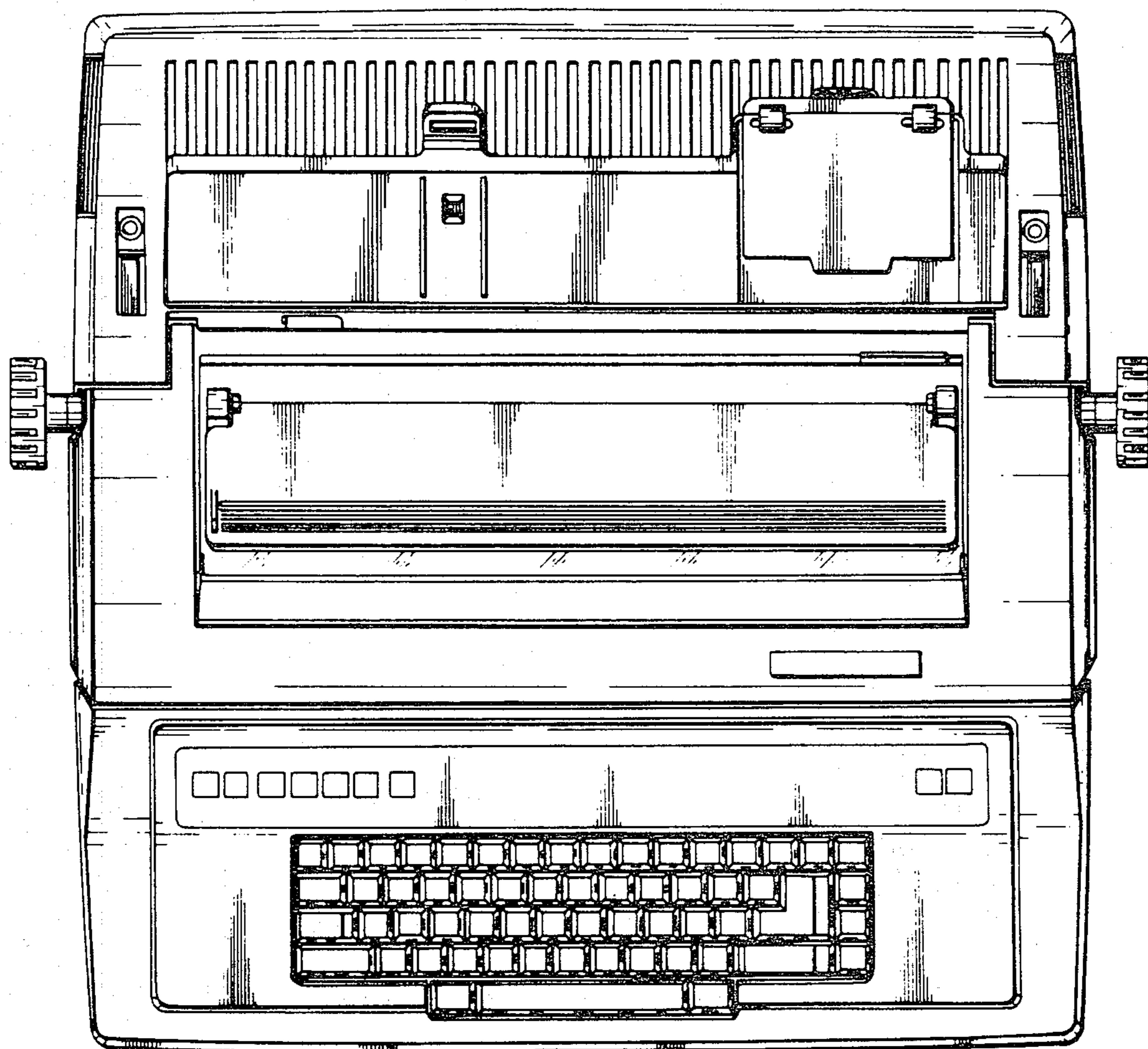


FIG. 4

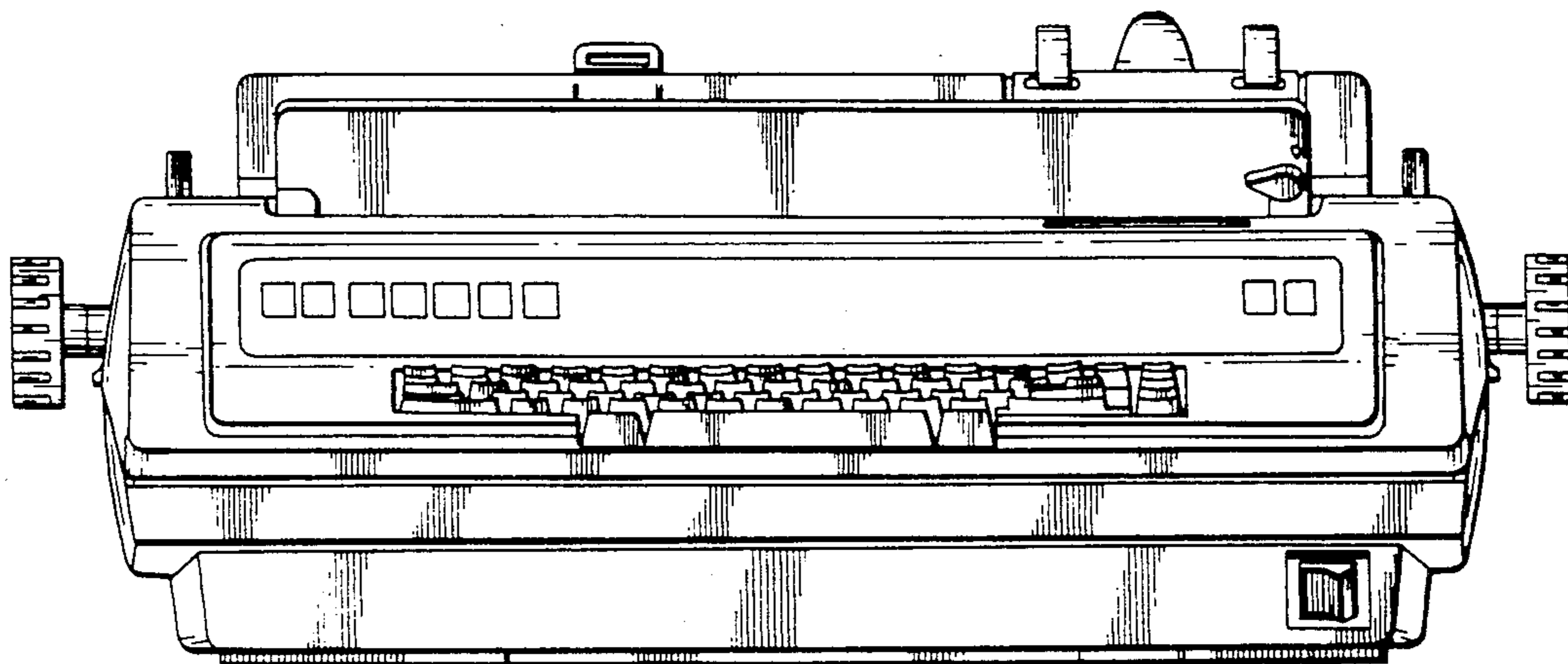


FIG. 5

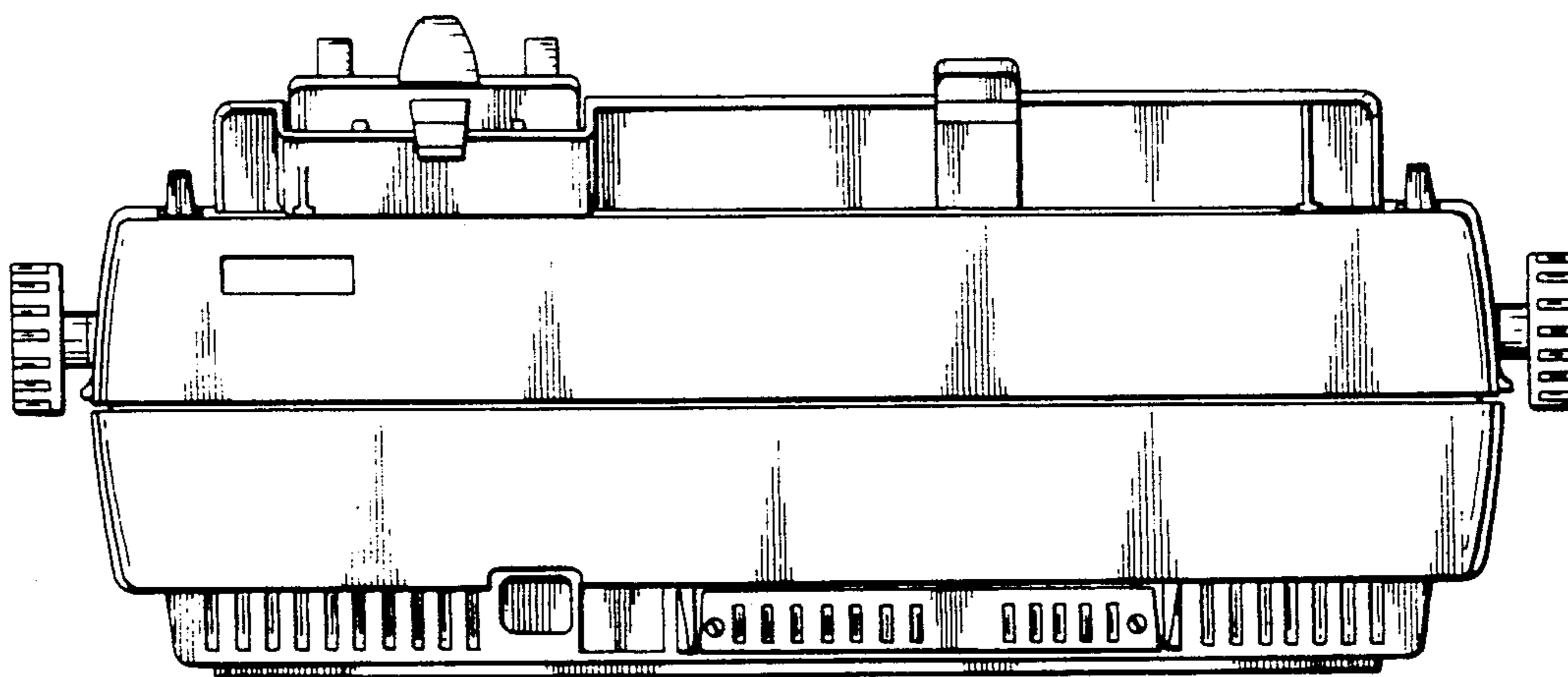


FIG. 6