

[54] **DRILLING MACHINE**

[76] **Inventor: Ruey Zon Chen, 18, Lane 144,
Tucheng Rd., Tali Hsiang, Taichung
Hsien, Taiwan**

[**] **Term: 14 Years**

[21] **Appl. No.: 417,891**

[22] **Filed: Sep. 14, 1982**

[52] **U.S. Cl. D15/132**

[58] **Field of Search D15/123, 132; 408/87,
408/90, 135**

[56] **References Cited**

U.S. PATENT DOCUMENTS

- D. 222,108 9/1971 Freer D15/132
- D. 257,679 12/1980 Cleary et al. D15/132

- 3,008,155 11/1961 Tsuda 408/135
- 3,069,936 12/1962 Gideon 408/90
- 3,374,695 3/1968 Lehberger 408/135
- 4,118,141 10/1978 Spohn, Jr. 408/90

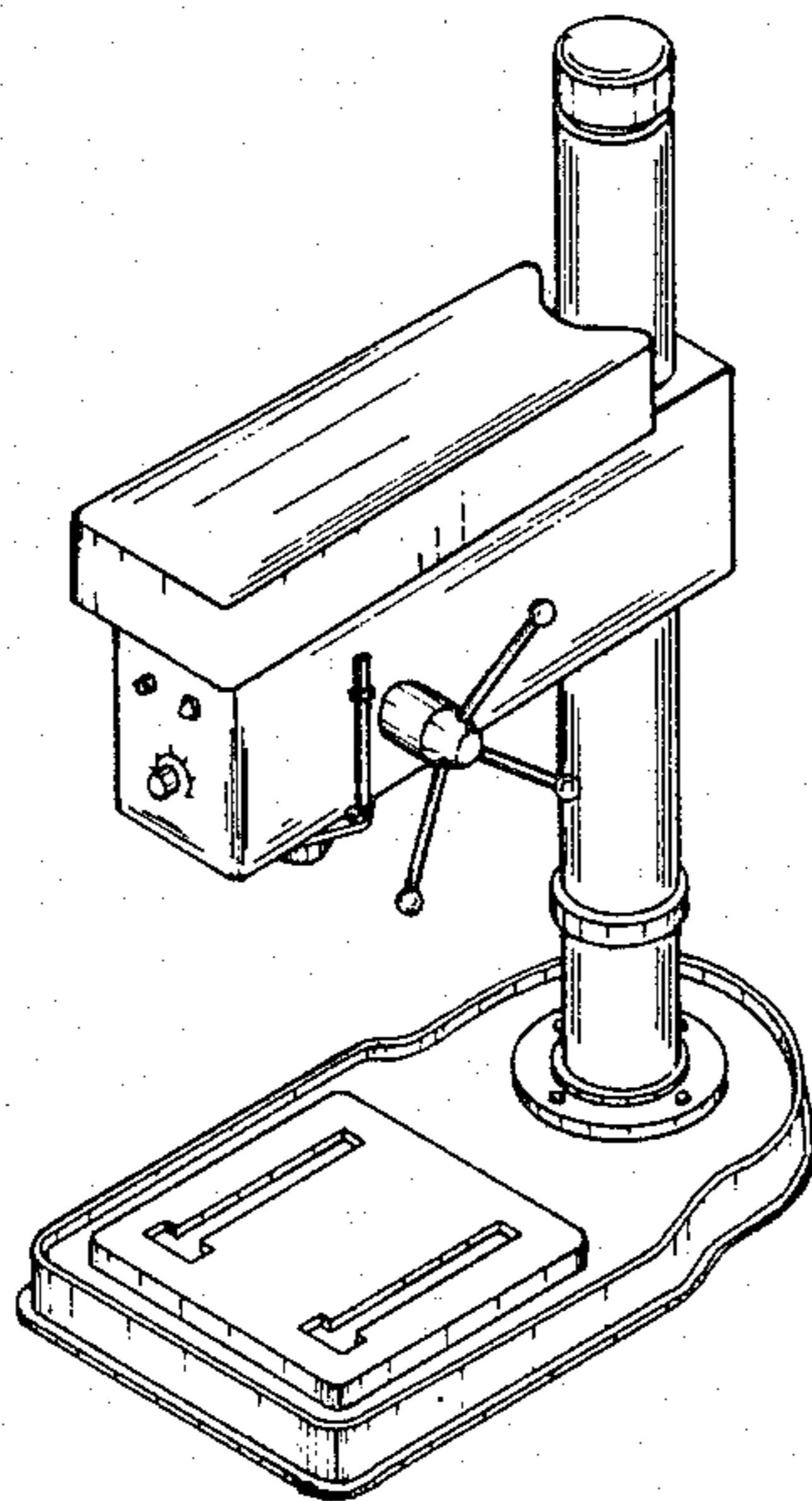
Primary Examiner—B. J. Bullock
Attorney, Agent, or Firm—Leonard Bloom

[57] **CLAIM**

The ornamental design for a drilling machine, substantially as shown and described.

DESCRIPTION

FIG. 1 is a top plan view of a drilling machine showing my new design;
FIG. 2 is a front view thereof;
FIG. 3 is a side view taken from the left of FIG. 2;
FIG. 4 is a side view taken from the right of FIG. 1;
FIG. 5 is a back view thereof; and
FIG. 6 is a perspective view thereof.



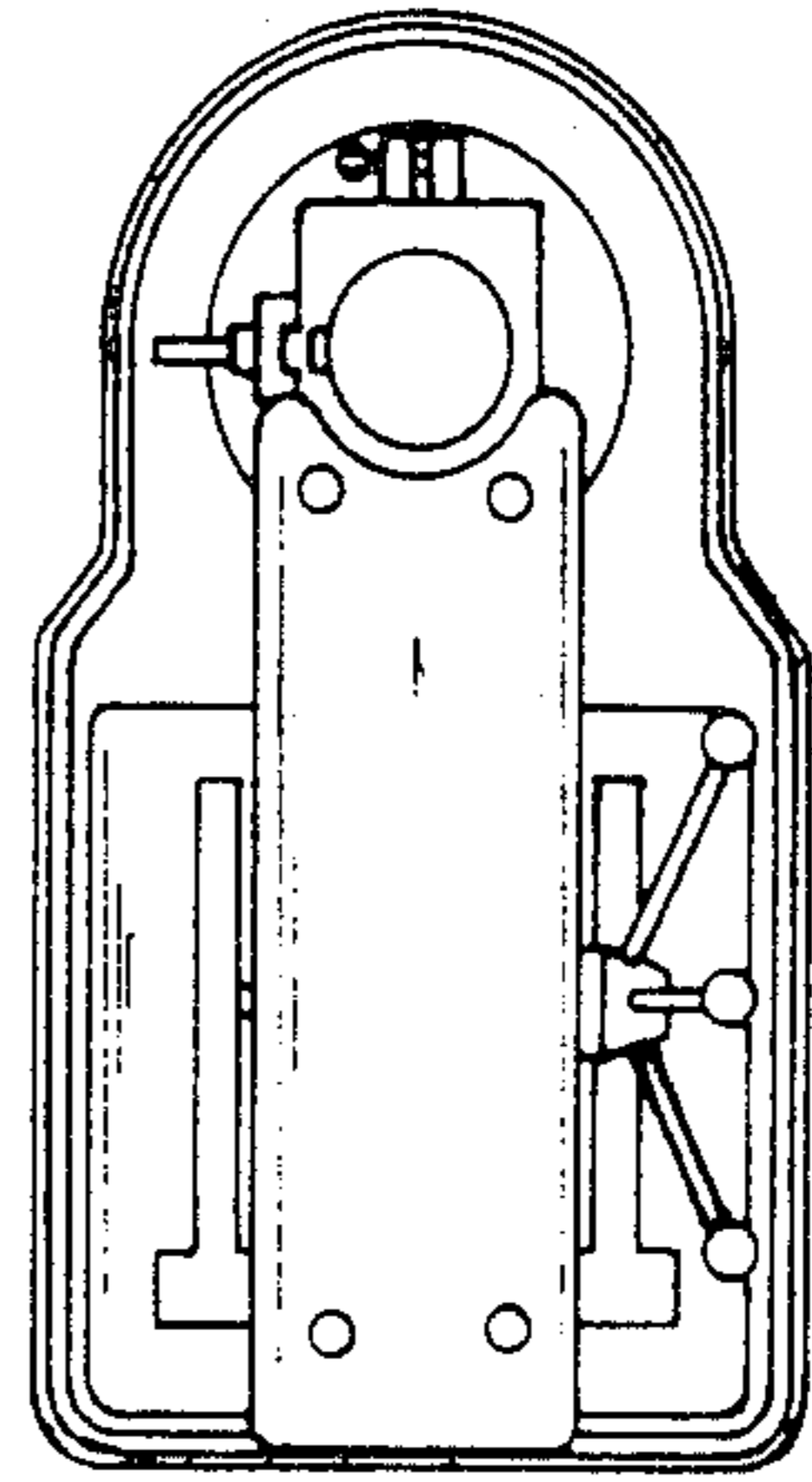


Fig. 1

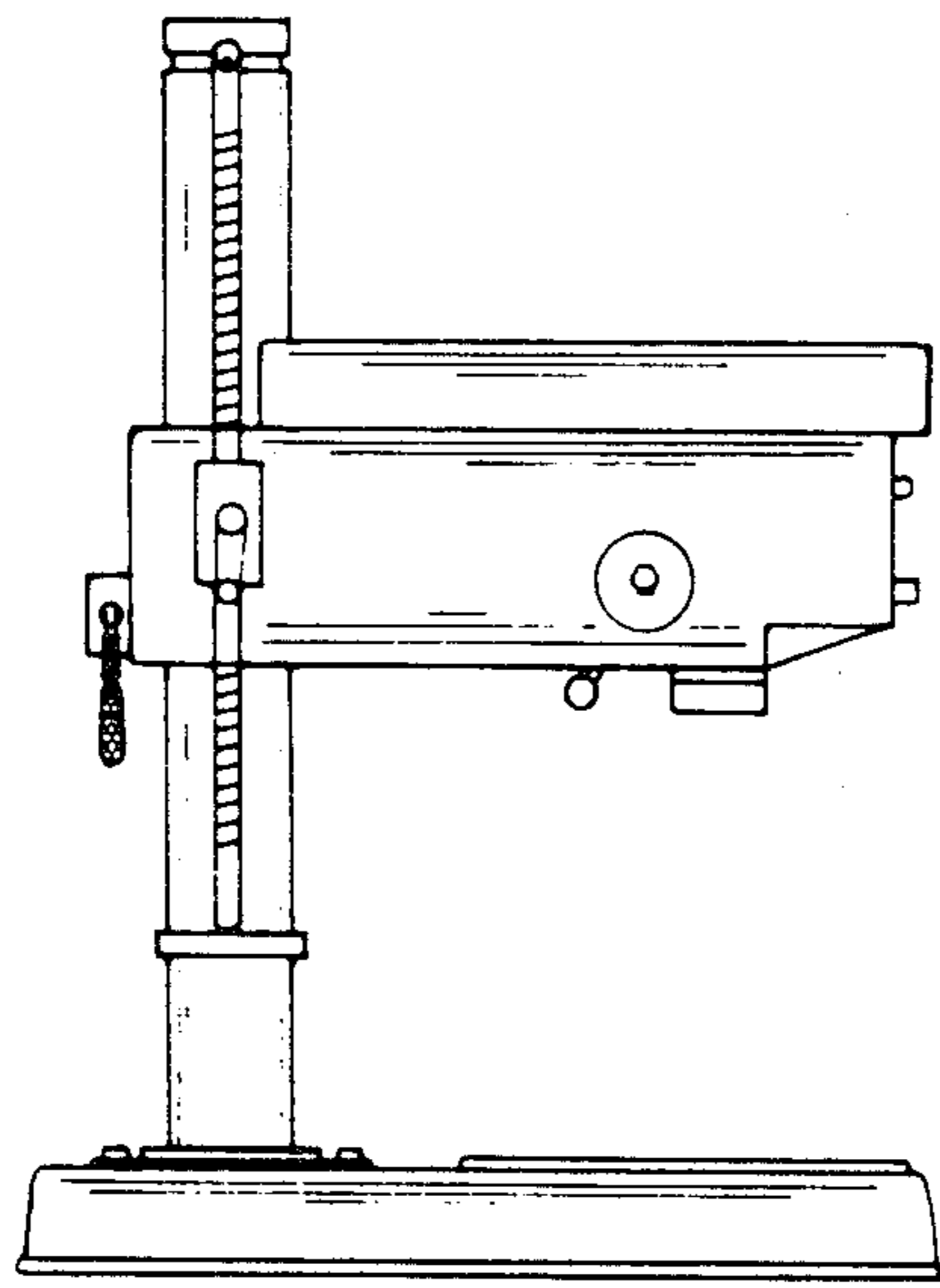


Fig. 3

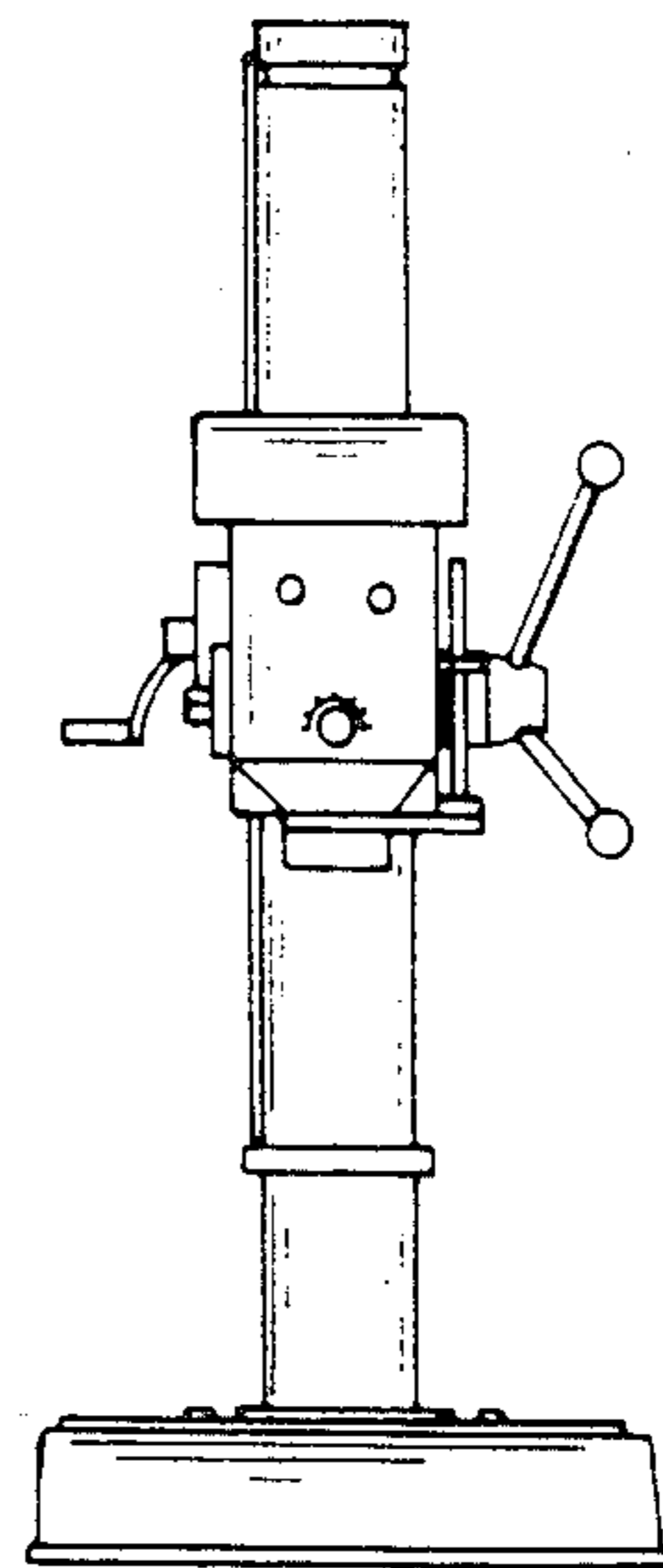


Fig. 2

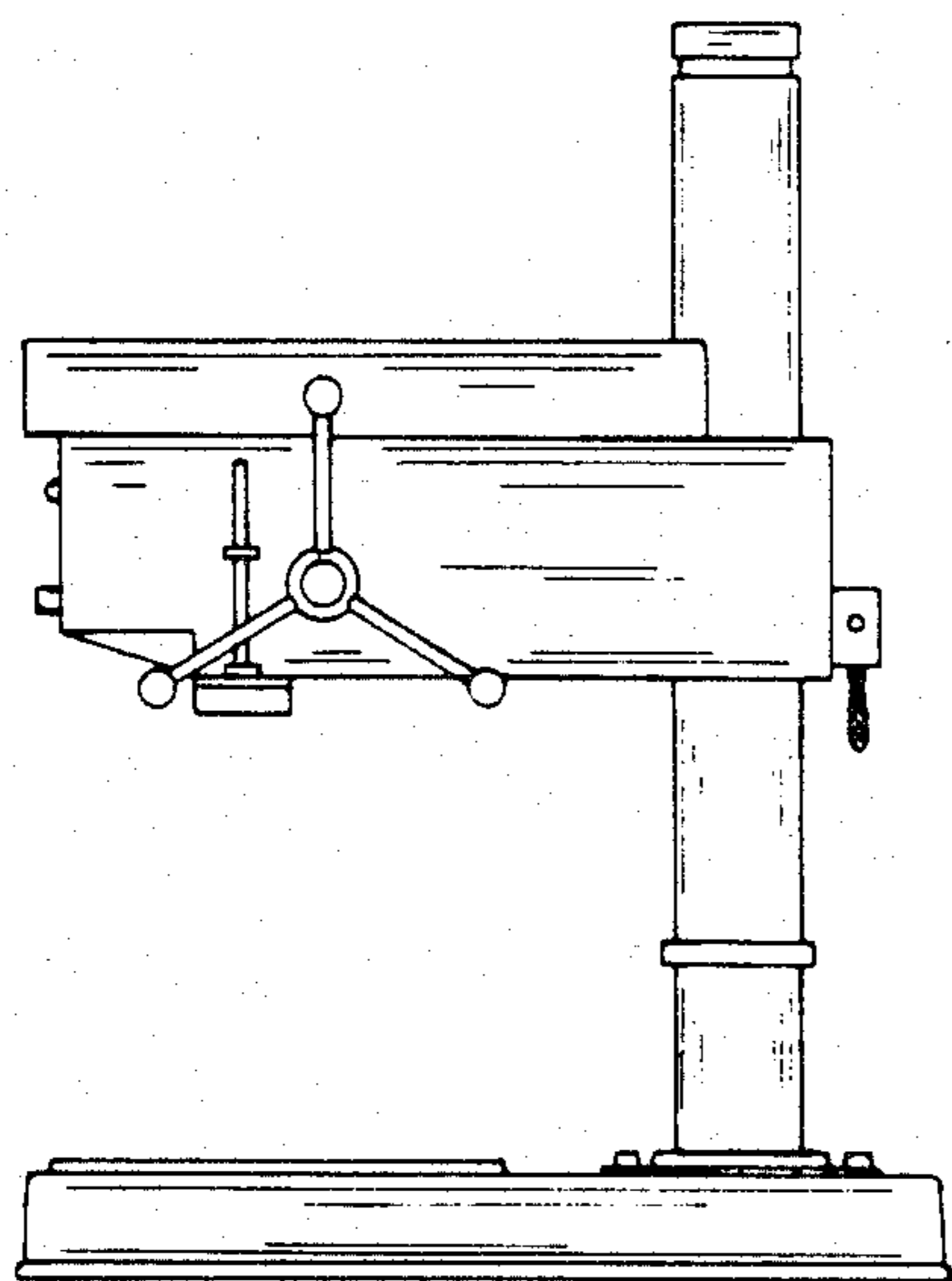


Fig. 4

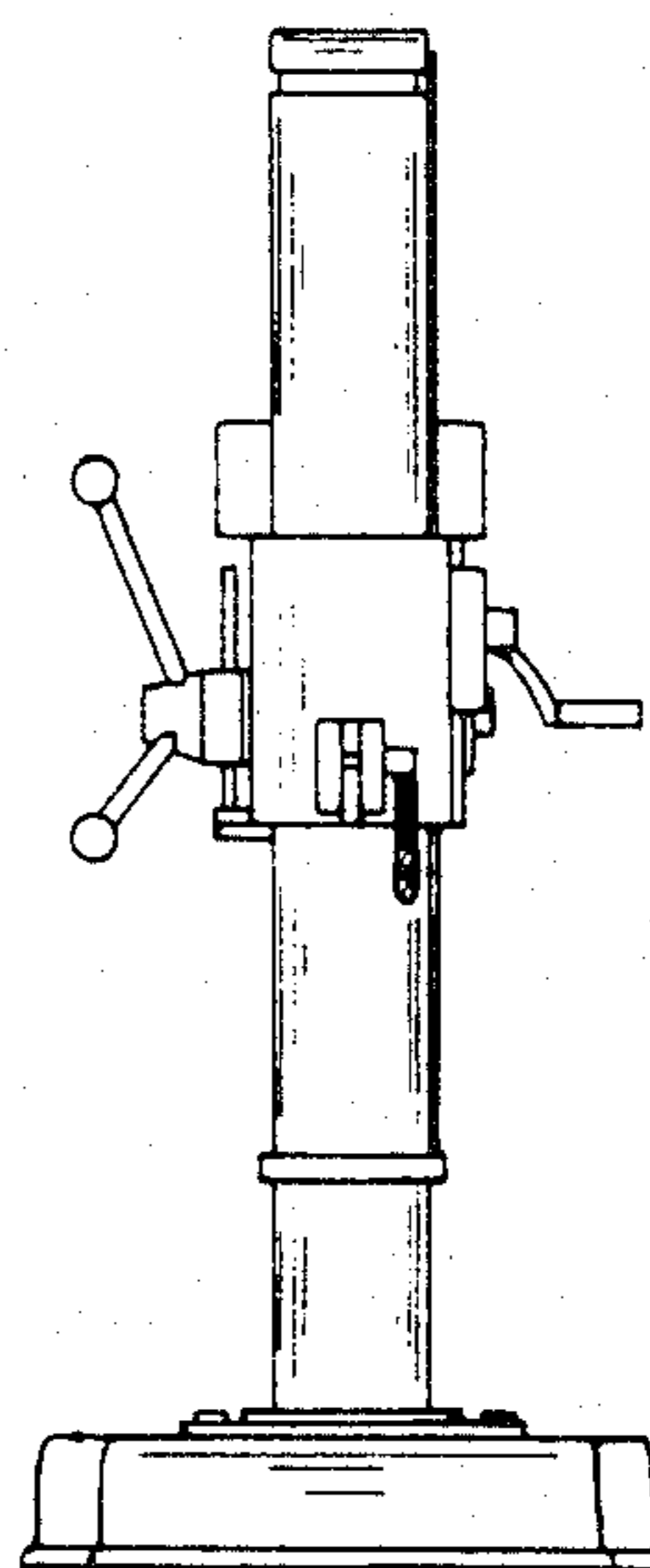


Fig. 5

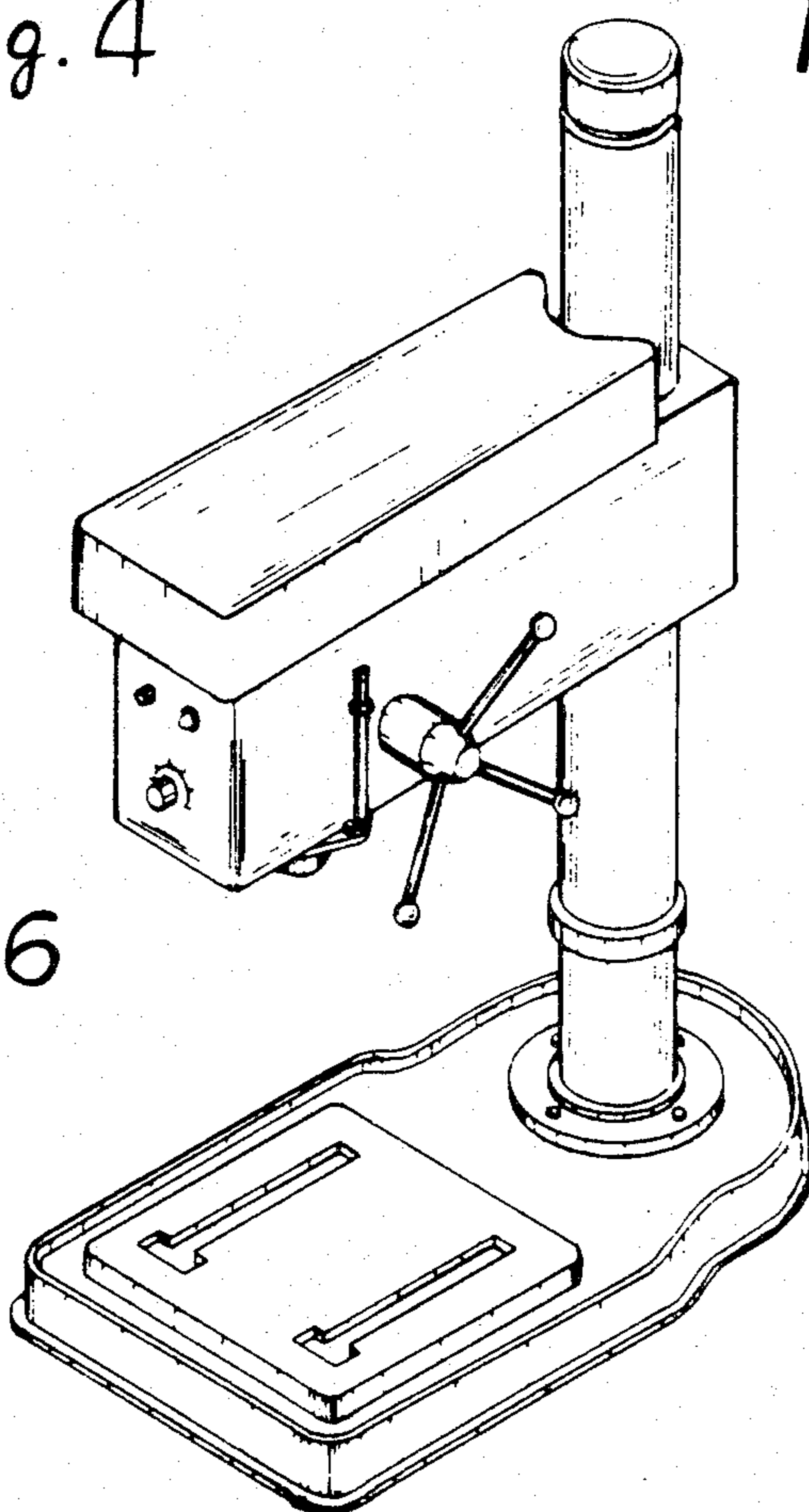


Fig. 6