

[54] PUNCH PRESS APPARATUS

[76] Inventors: Glenn A. Hoffman, Jr., 8362 Seaport Dr., Huntington Beach, Calif. 92764; Robert M. Avila, 249 Calle Esmarca, San Clemente, Calif. 92672

[**] Term: 14 Years

[21] Appl. No.: 386,961

[22] Filed: Jun. 10, 1982

[52] U.S. Cl. D15/128

[58] Field of Search D15/123, 128; 83/639, 83/697; 100/280, 299

[56] References Cited

U.S. PATENT DOCUMENTS

D. 254,620	4/1980	Reiner	D15/122
3,091,147	5/1963	Holl et al.	83/639
3,150,412	9/1964	Newhall	100/299
4,213,365	7/1980	McCabe	83/639

OTHER PUBLICATIONS

American Machinist, 8/1979, p. 146, Press Model L12000 (lower right).

American Machinist, 7/1980, p. 192, Hydraulic Bench Press (upper center).

Primary Examiner—B. J. Bullock
Attorney, Agent, or Firm—Gausewitz, Carr, Rothenberg & Edwards

[57] CLAIM

The ornamental design for a punch press apparatus, substantially as shown and described.

DESCRIPTION

FIG. 1 is an isometric view showing a first embodiment of a punch press apparatus, embodying our new design; FIG. 2 is a side elevational view taken from the right of FIG. 1; FIG. 3 is a rear elevational view thereof; FIG. 4 is a top plan view thereof; and FIG. 5 is an isometric view of a second embodiment. The embodiment of FIG. 5 is identical to that of FIGS. 1-4, inclusive, except for the locations of the cylinders, there being two downwardly-projecting cylinders in the embodiment of FIGS. 1-4, while there is one upwardly-projecting cylinder in the embodiment of FIG. 5.

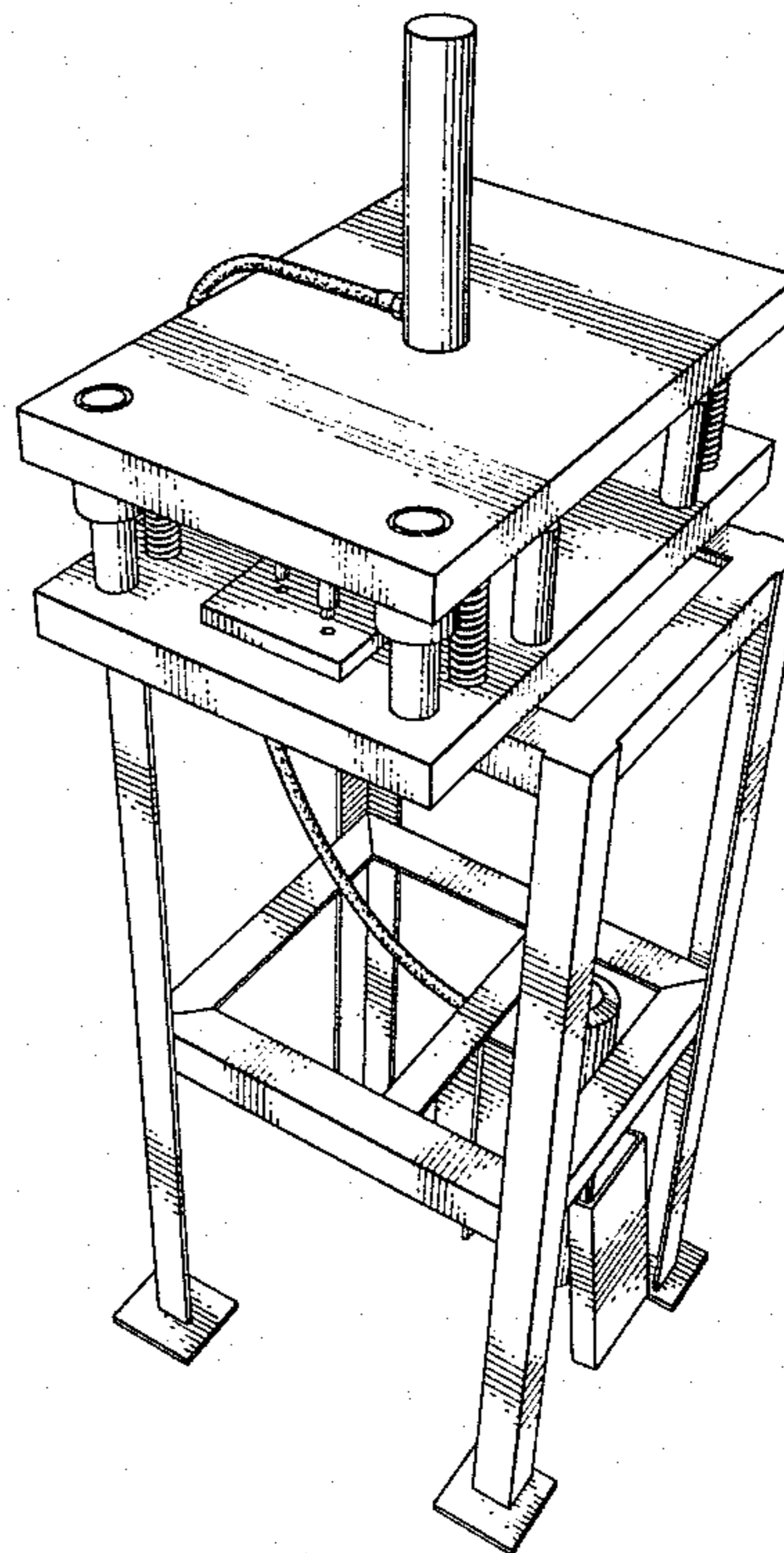
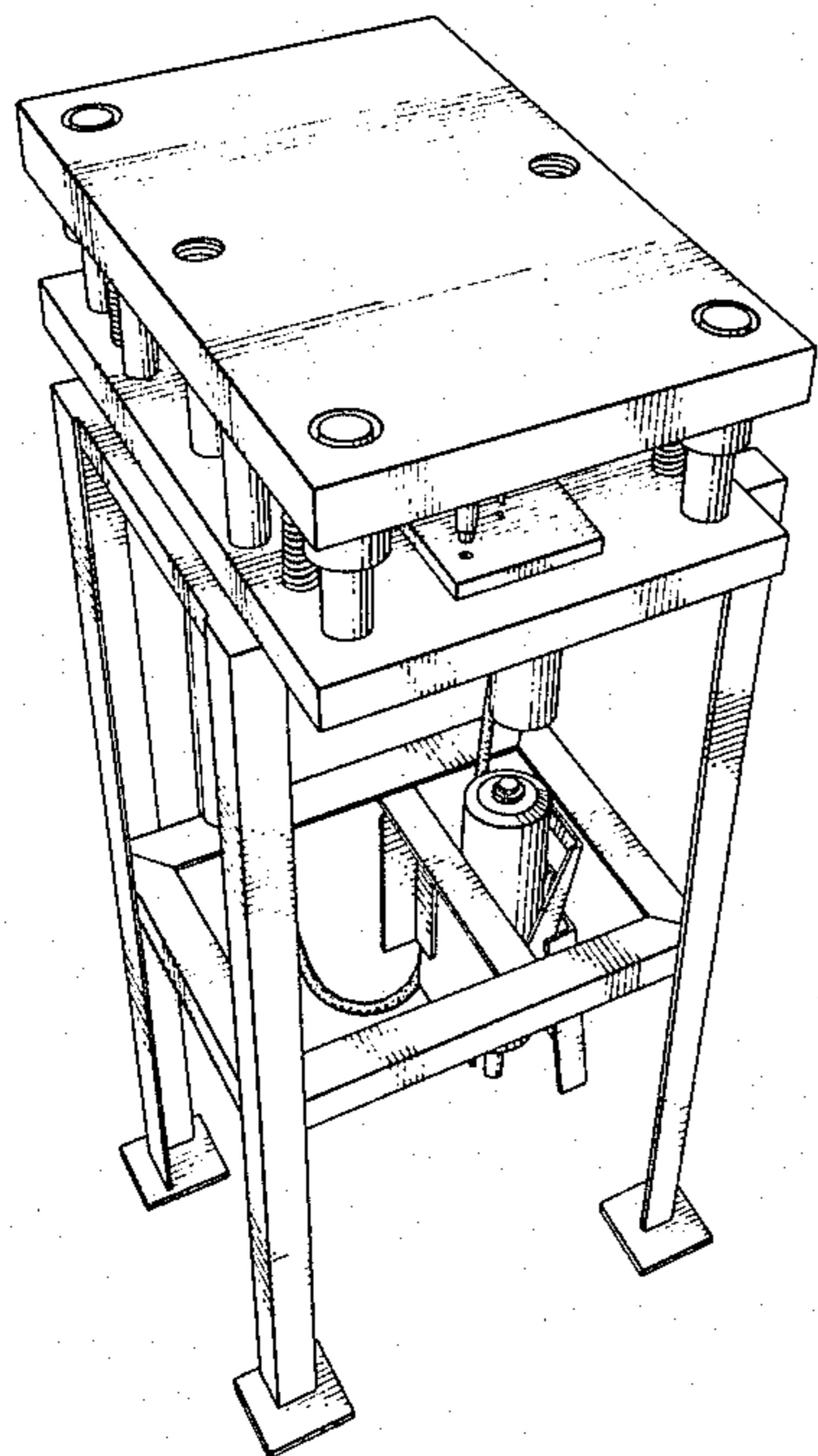


FIG. 1.

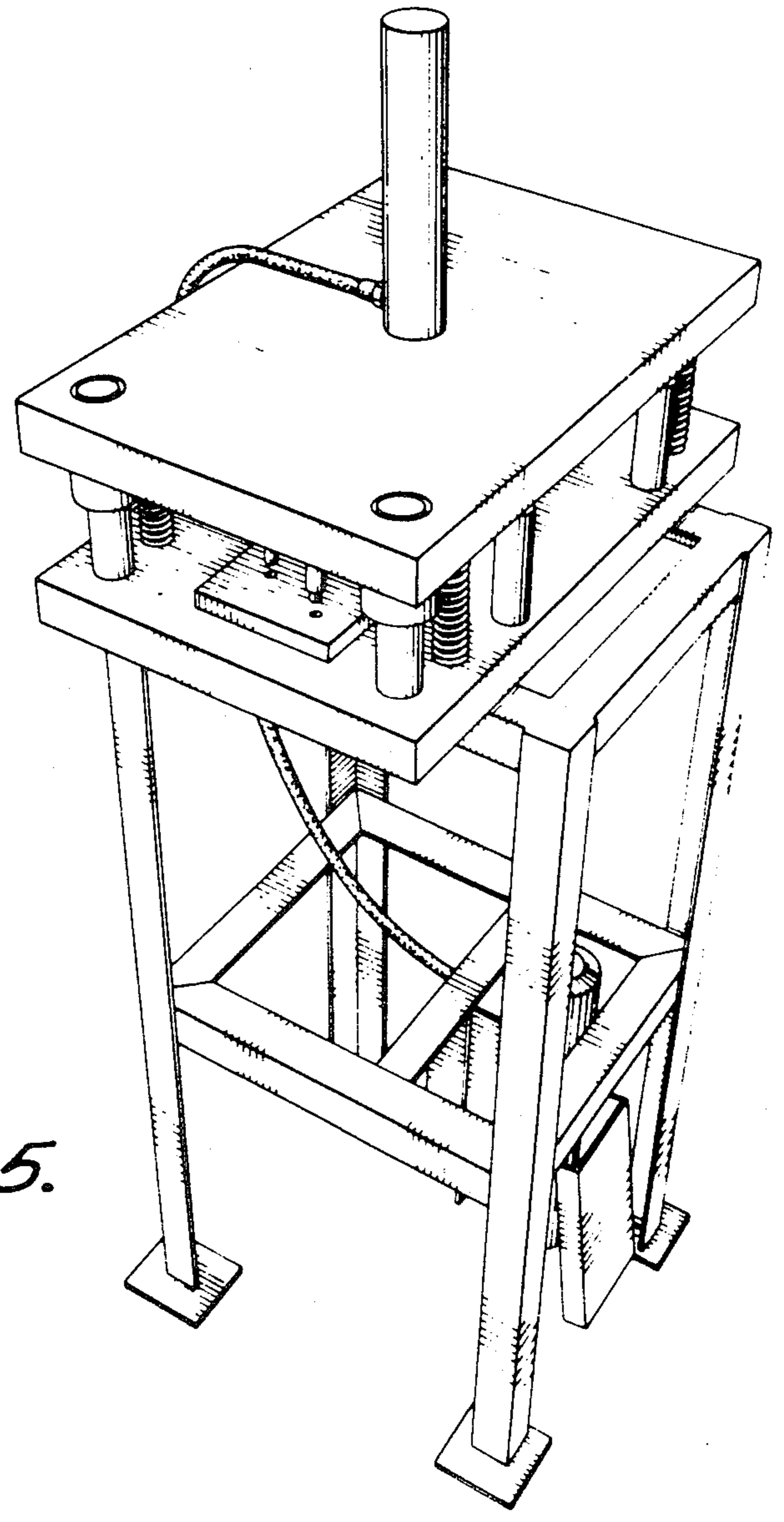
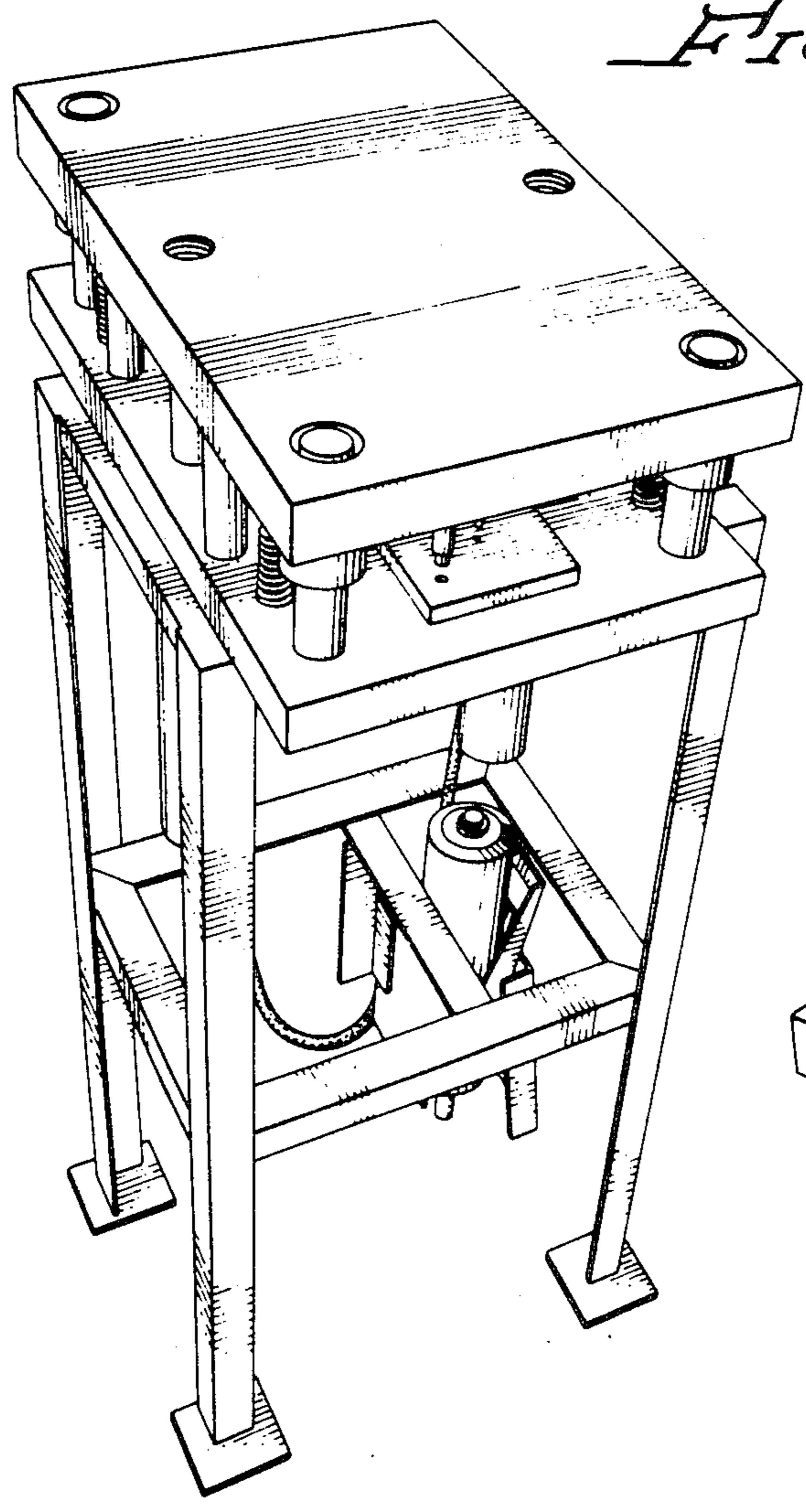


FIG. 5.

FIG. 2.

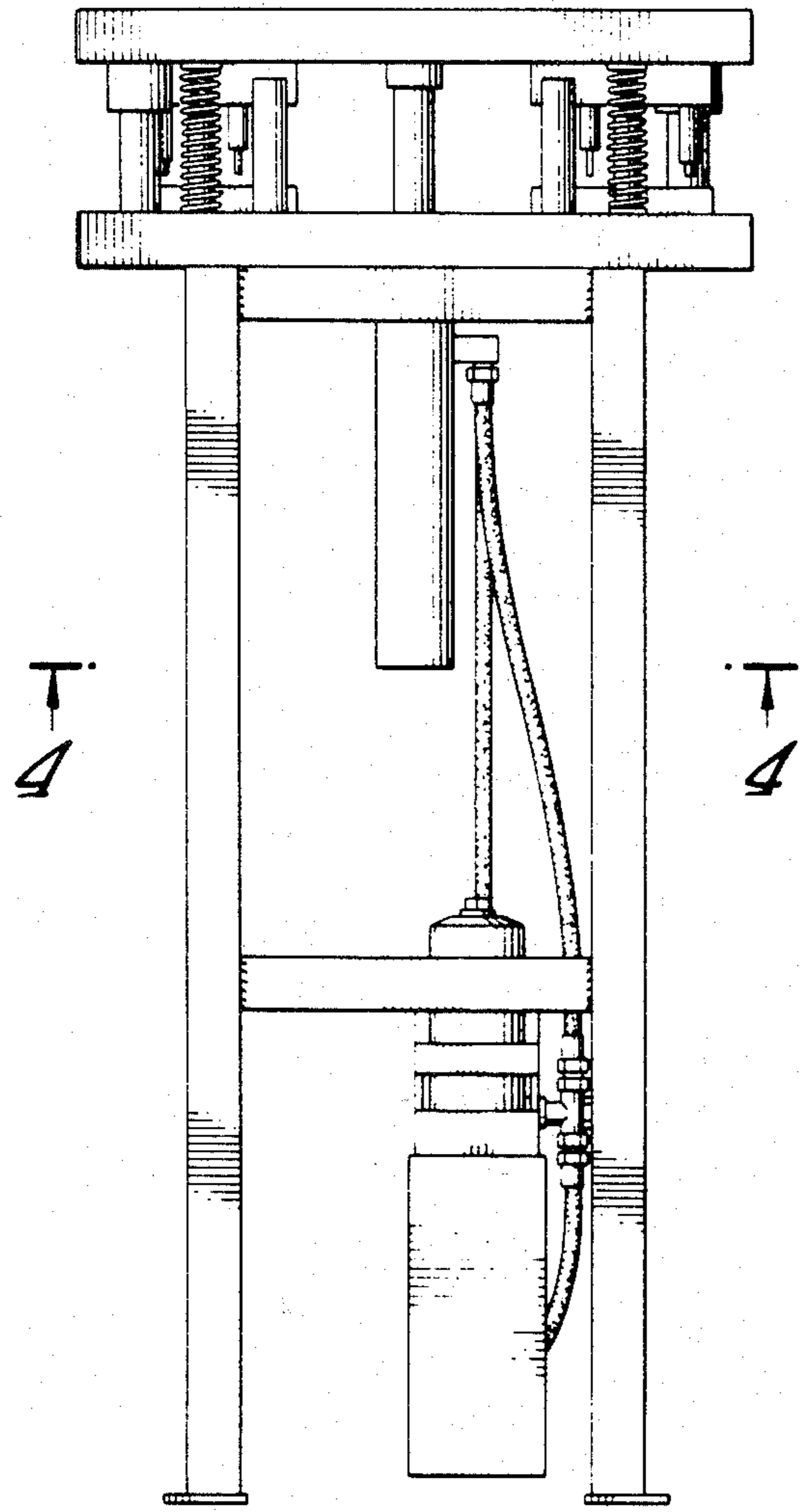


FIG. 3.

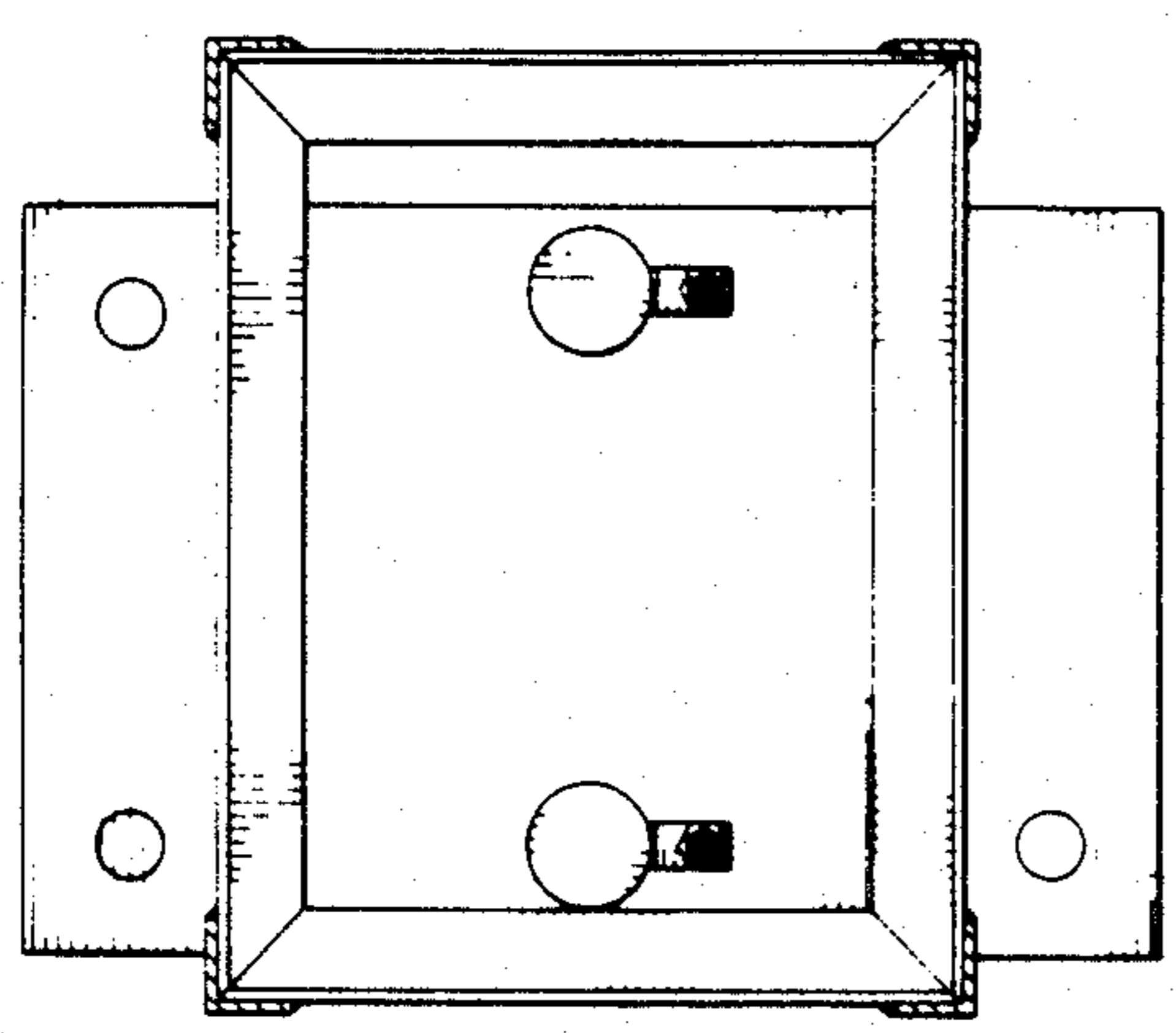
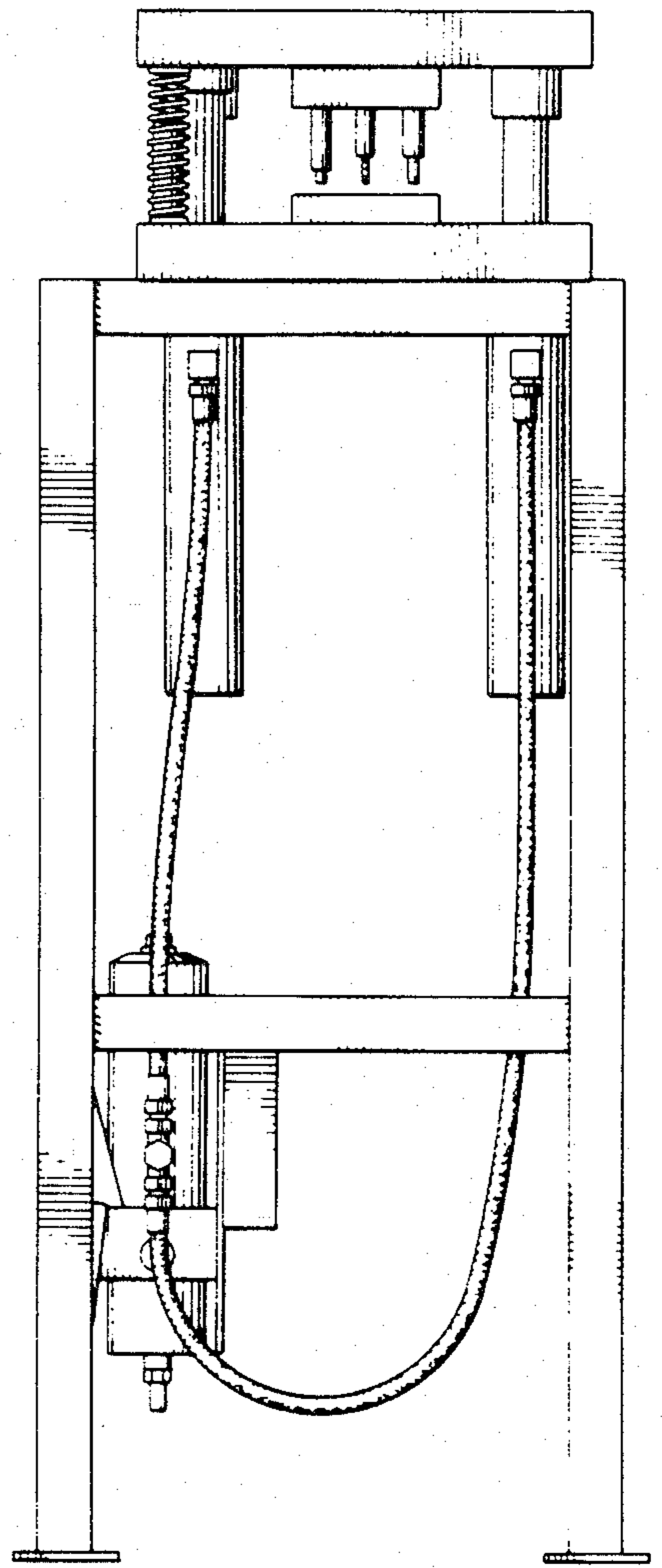


FIG. 4.