

[54] AGRICULTURAL SWEEP

[75] Inventors: William M. Johnson, Winchelsea; Allan Lindsay, Hoppers Crossing, both of Australia

[73] Assignee: Ralph McKay Limited, Maidstone, Australia

[**] Term: 14 Years

[21] Appl. No.: 299,218

[22] Filed: Sep. 3, 1981

Related U.S. Application Data

[63] Continuation-in-part of Ser. No. 31,490, Apr. 19, 1979, abandoned.

[30] Foreign Application Priority Data

Oct. 19, 1978 [AU] Australia 76254

[52] U.S. Cl. D15/29

[58] Field of Search D15/11, 29; 172/713, 172/719, 720, 722, 724, 730, 721, 733, 762, 763, 765, 766, 770, 771

[56] References Cited

U.S. PATENT DOCUMENTS

1,787,366 12/1930 Fountain 172/222

FOREIGN PATENT DOCUMENTS

106027 11/1938 Australia 172/762

OTHER PUBLICATIONS

Implement & Tractor Product File Issue, 3/31/78, p. 164, Sweep No. 5, lower right side of page.

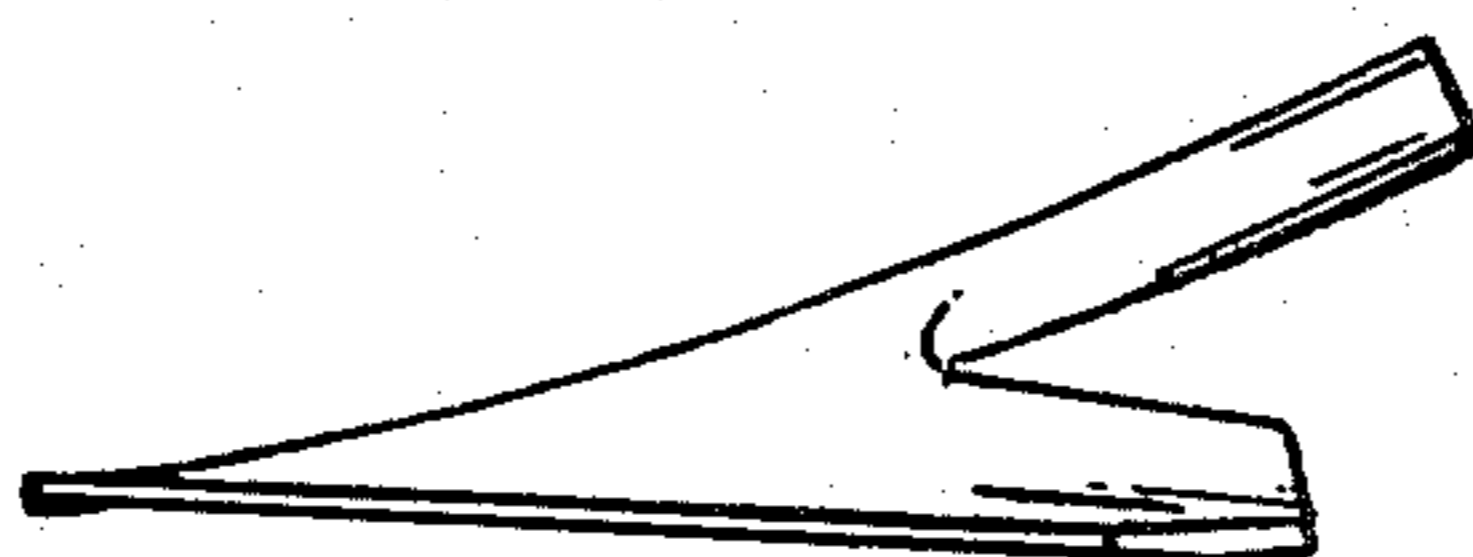
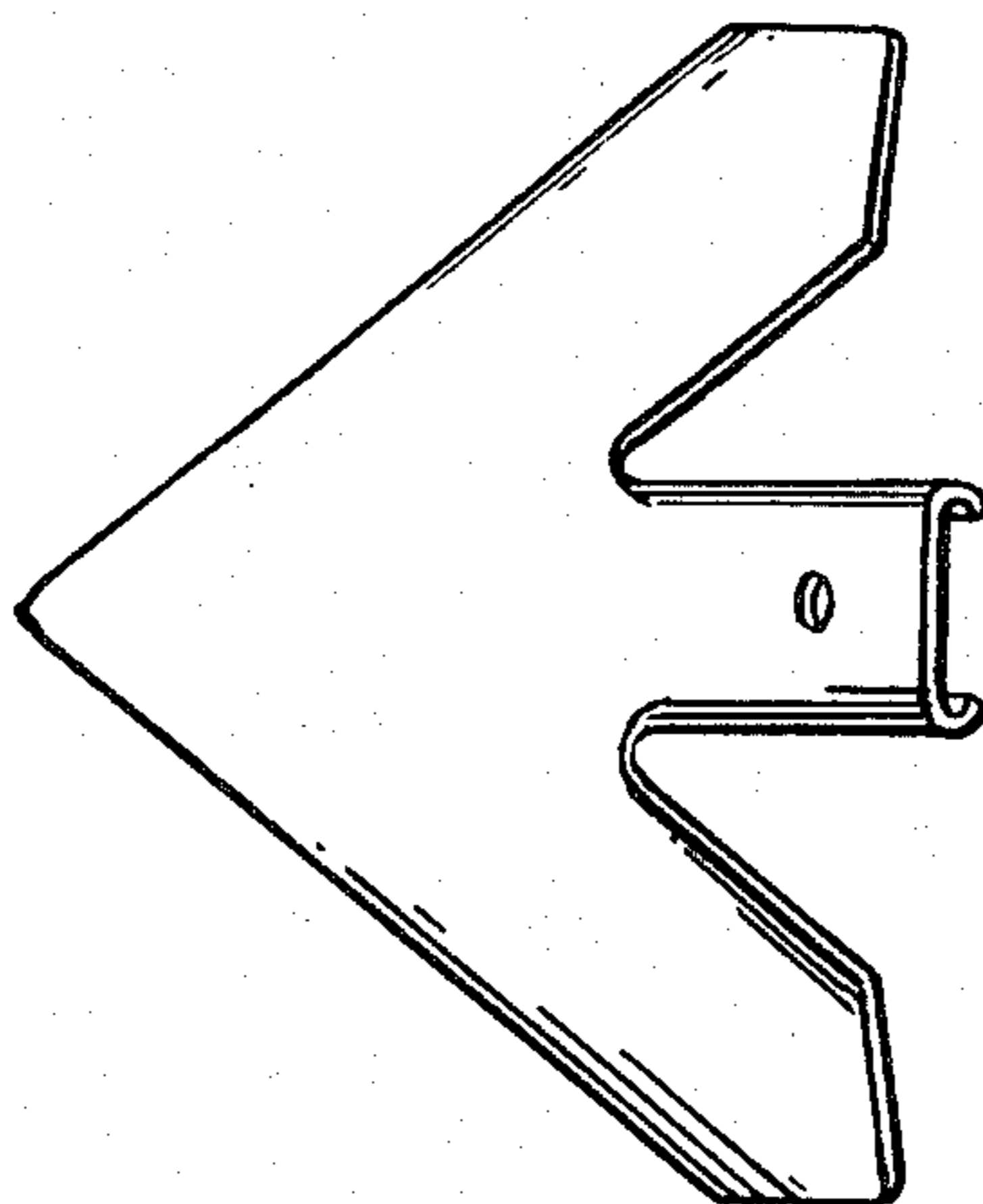
Primary Examiner—James M. Gandy
Attorney, Agent, or Firm—Christel, Bean & Linihan

[57] CLAIM

The ornamental design for an agricultural sweep, substantially as shown and described.

DESCRIPTION

FIG. 1 is a plan view of the upper surface of an agricultural sweep showing our new design; FIG. 2 is a side elevation view of the sweep; FIG. 3 is a bottom plan view of the sweep; FIG. 4 is a front elevation view of the sweep; FIG. 5 is a rear elevation view of the sweep; FIG. 6 is a perspective view of the upper surface of an agricultural sweep showing a second embodiment of our new design; FIG. 7 is a side elevation view of the sweep shown in FIG. 6; FIG. 8 is a front elevation view of the sweep shown in FIG. 6; FIG. 9 is a plan view of the upper surface of the sweep shown in FIG. 6; FIG. 10 is a rear elevation view of the sweep shown in FIG. 6; and FIG. 11 is a perspective view of the lower surface of the sweep shown in FIG. 6.



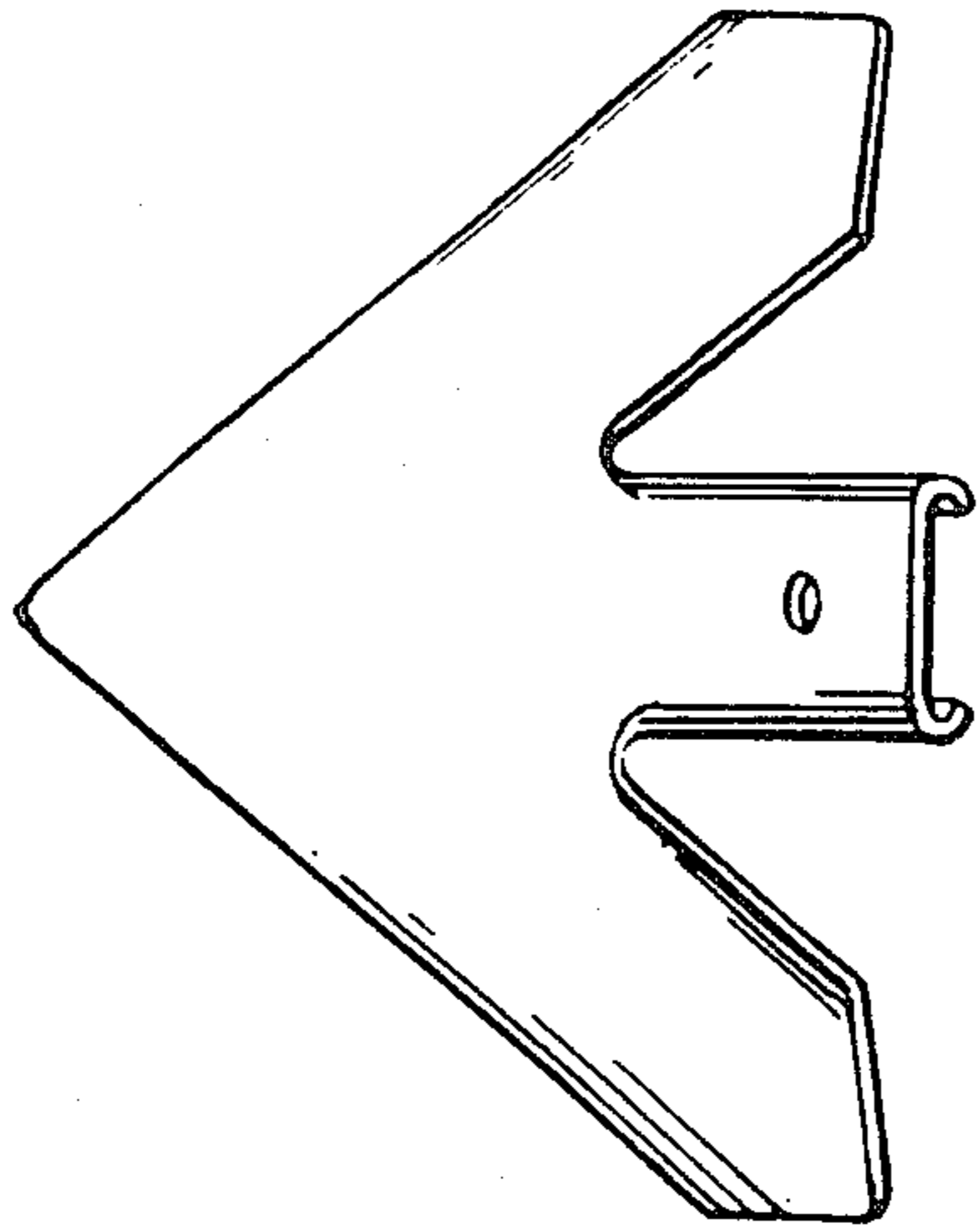


FIG. 1



FIG. 2

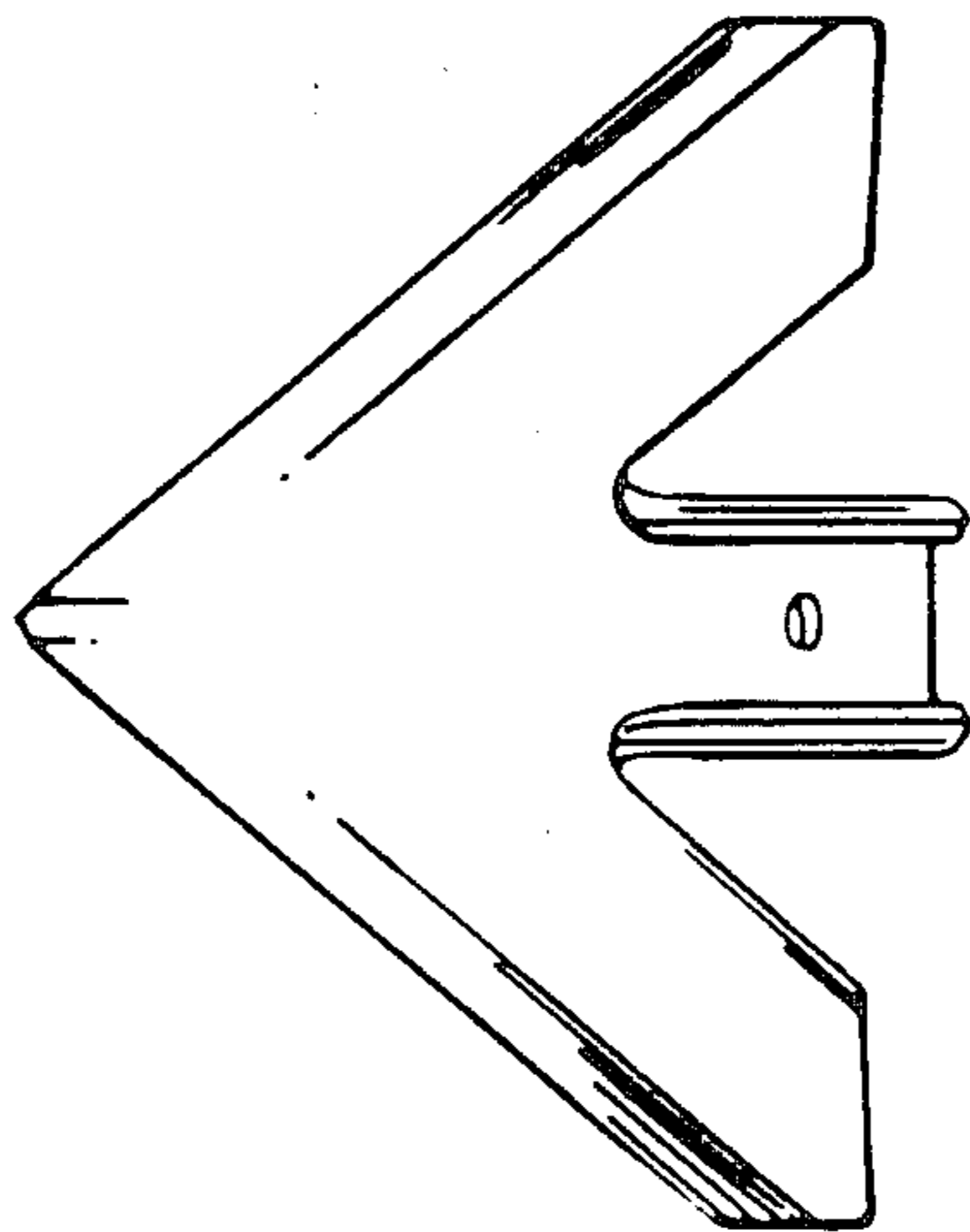


FIG. 3

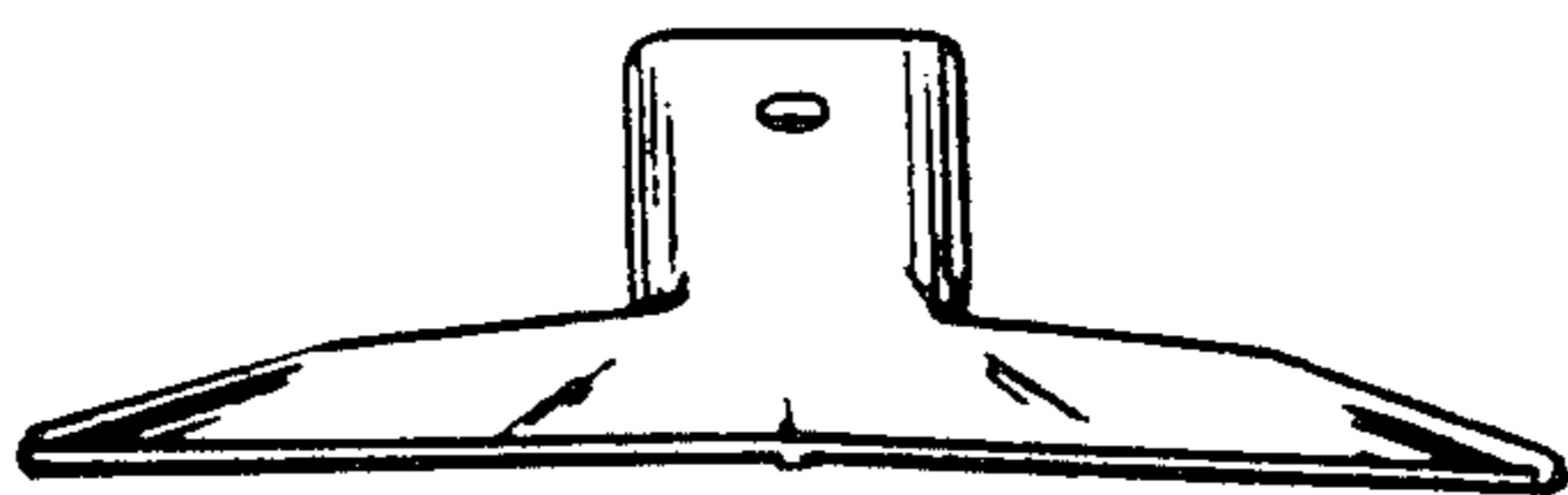


FIG. 4

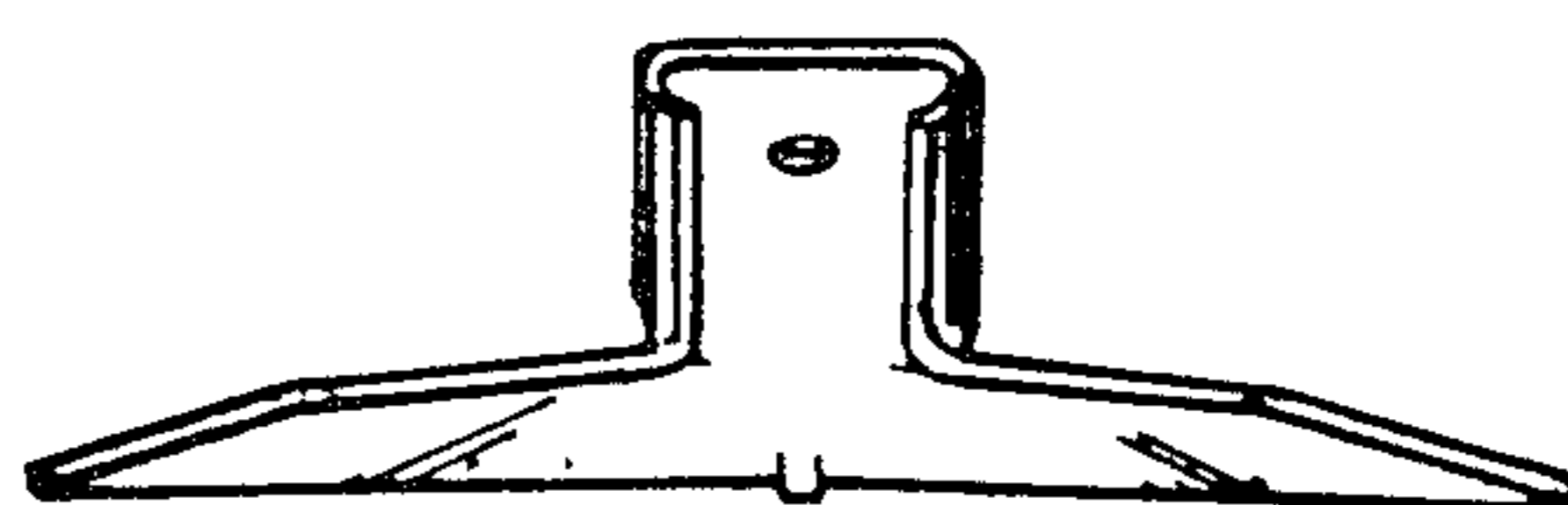


FIG. 5

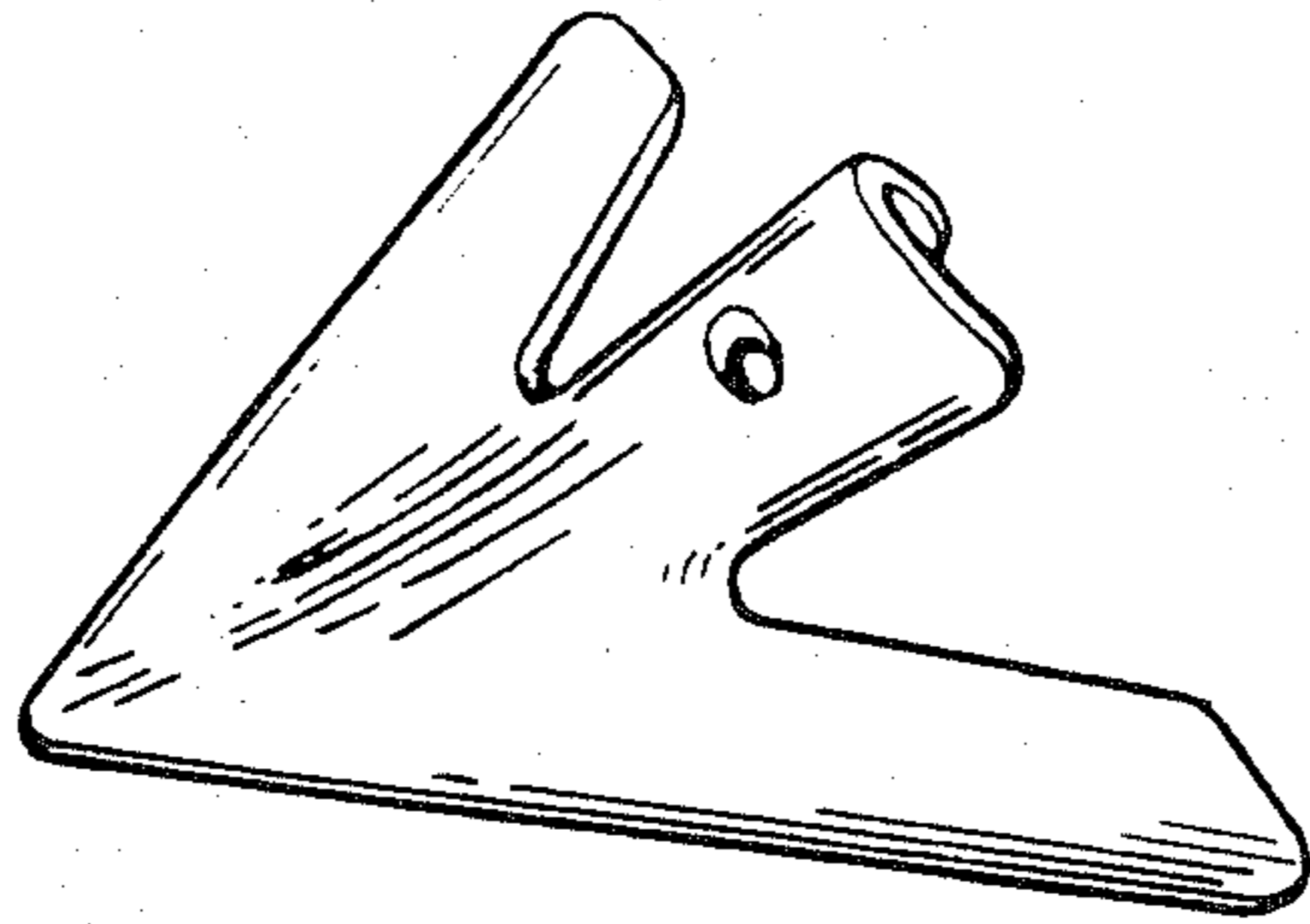


FIG. 6

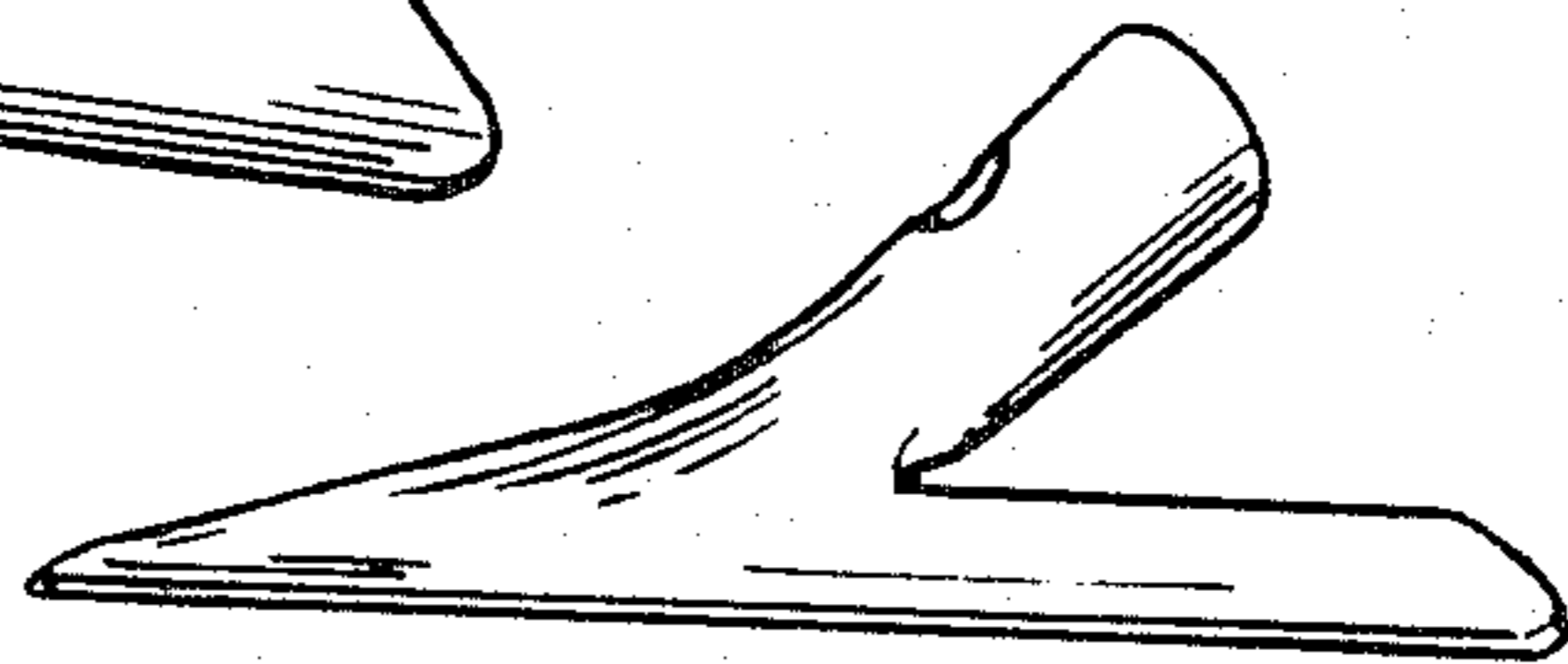


FIG. 7

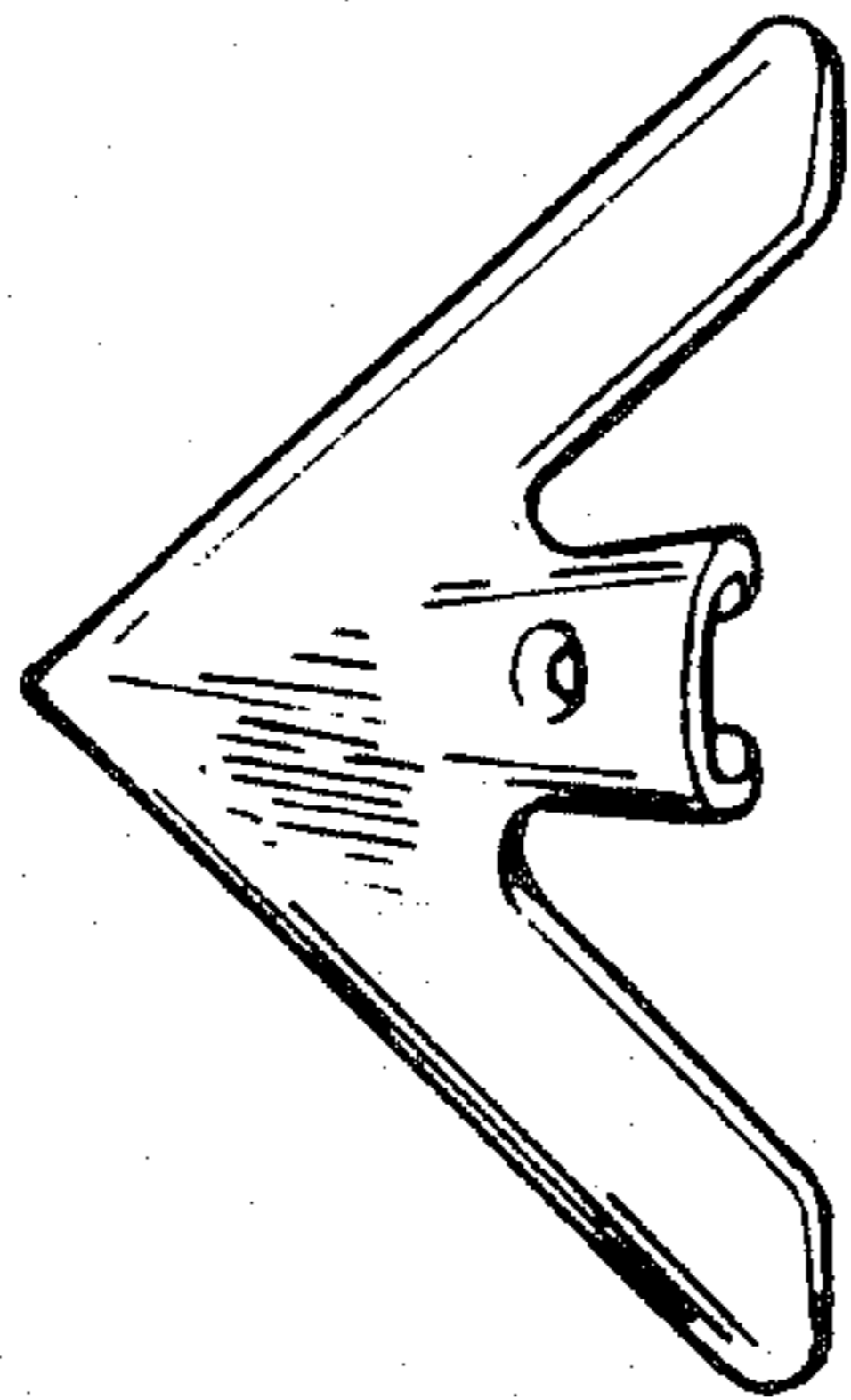


FIG. 9

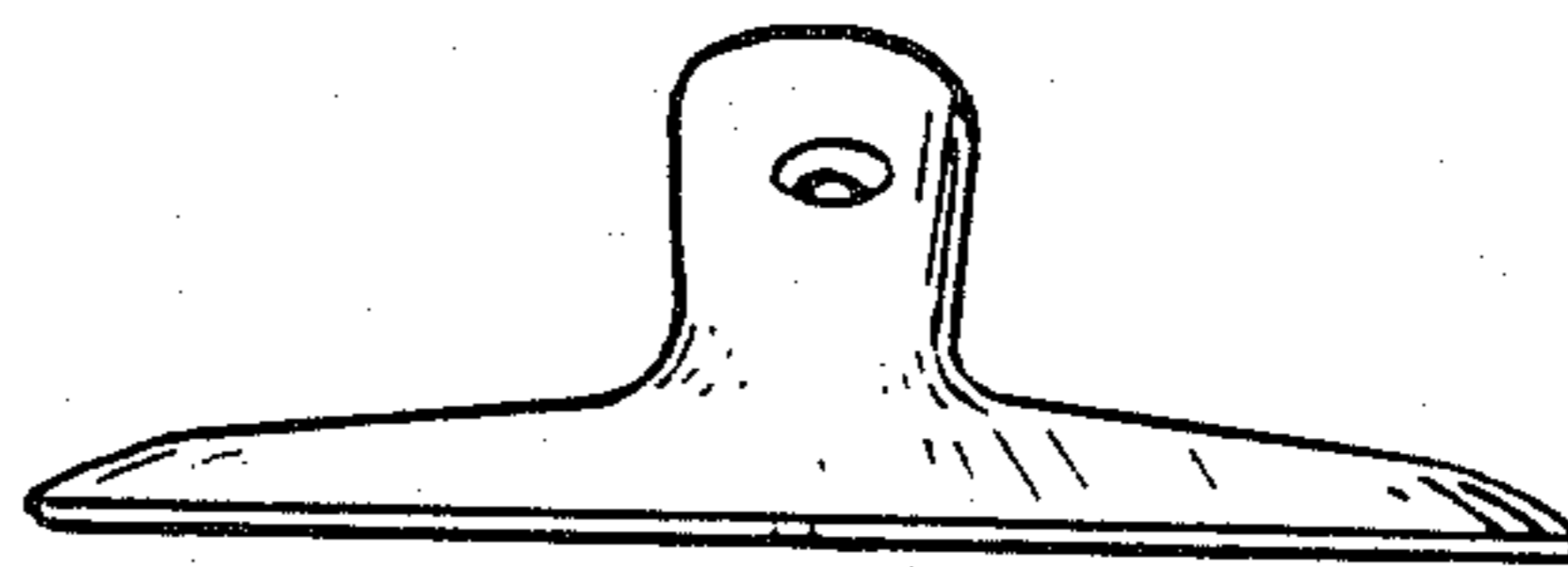


FIG. 8

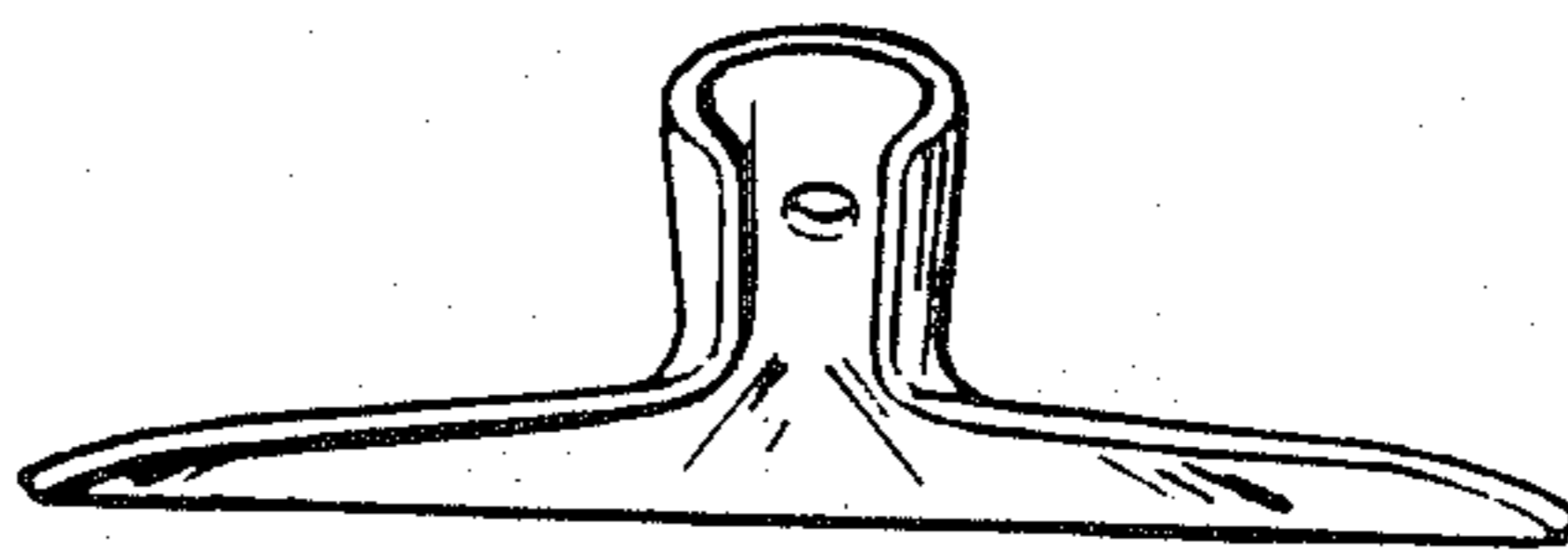


FIG. 10

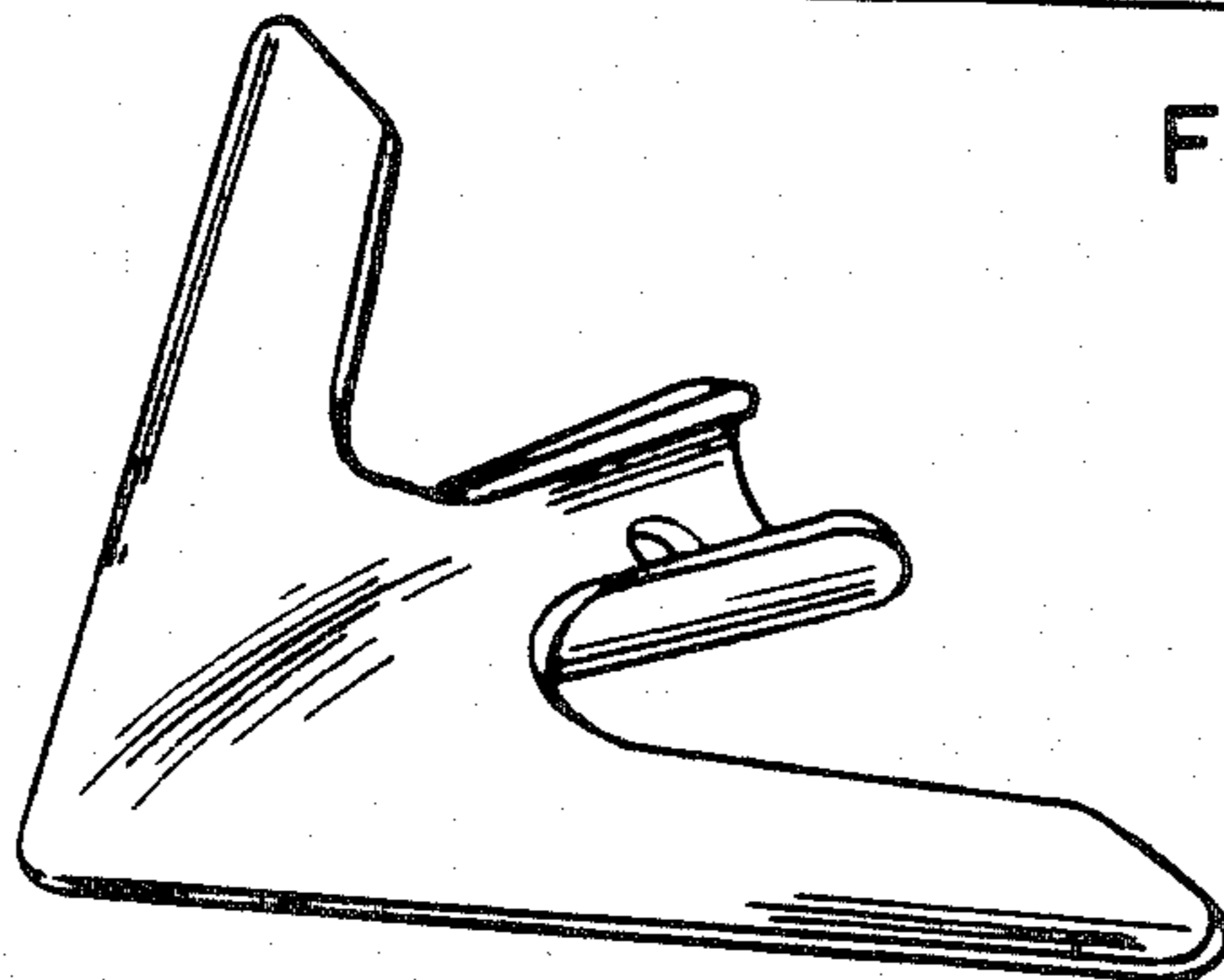


FIG. 11