

[54] **TRACTOR**

[75] Inventor: **Gerald E. Sieren, Greendale, Wis.**
[73] Assignee: **Allis-Chalmers Corp., Milwaukee, Wis.**
[**] Term: **14 Years**
[21] Appl. No.: **465,158**
[22] Filed: **Feb. 9, 1983**
[52] U.S. Cl. **D15/23**
[58] Field of Search **D15/10, 23, 22; 180/55, 180/89.1; 296/177, 194**

[56] **References Cited**

U.S. PATENT DOCUMENTS

D. 270,350 8/1983 Clancy et al. D15/23
D. 274,524 7/1984 Koval et al. D15/23
3,985,386 10/1976 Woods 180/89.1

OTHER PUBLICATIONS

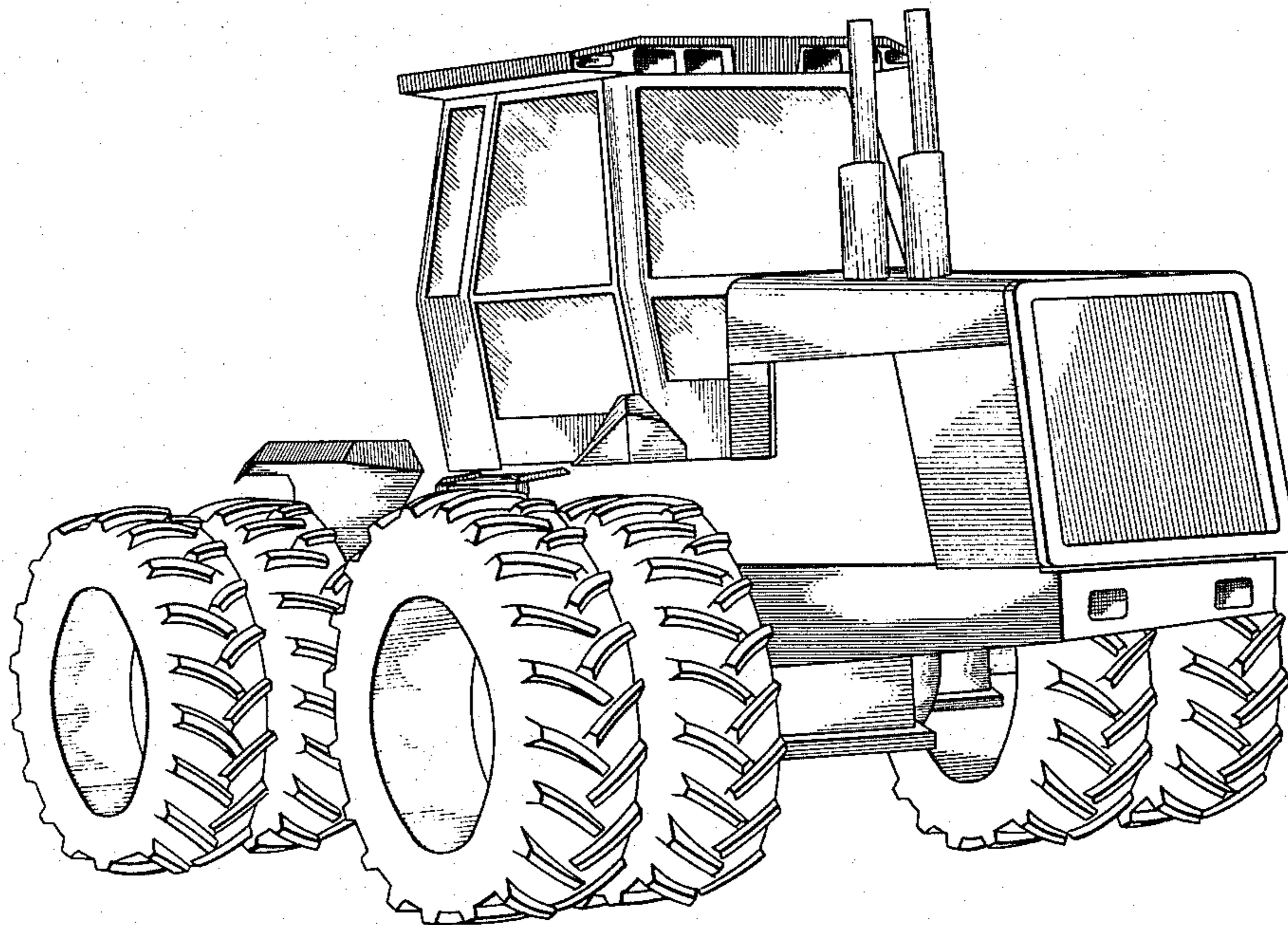
Implement and Tractor, 6/7/73, p. 29, Tractor in upper right corner-165-HP Giant.
Implement and Tractor, 9/7/74, p. 15, Tractor in upper left corner-8630.
Primary Examiner—Wallace R. Burke
Assistant Examiner—Suzanne N. Gitlin
Attorney, Agent, or Firm—Arthur L. Nelson

[57] **CLAIM**

The ornamental design of a tractor, as shown and described.

DESCRIPTION

FIG. 1 is a right front perspective view of a tractor showing my new design;
FIG. 2 is a left front perspective view thereof;
FIG. 3 is a right rear perspective view thereof.



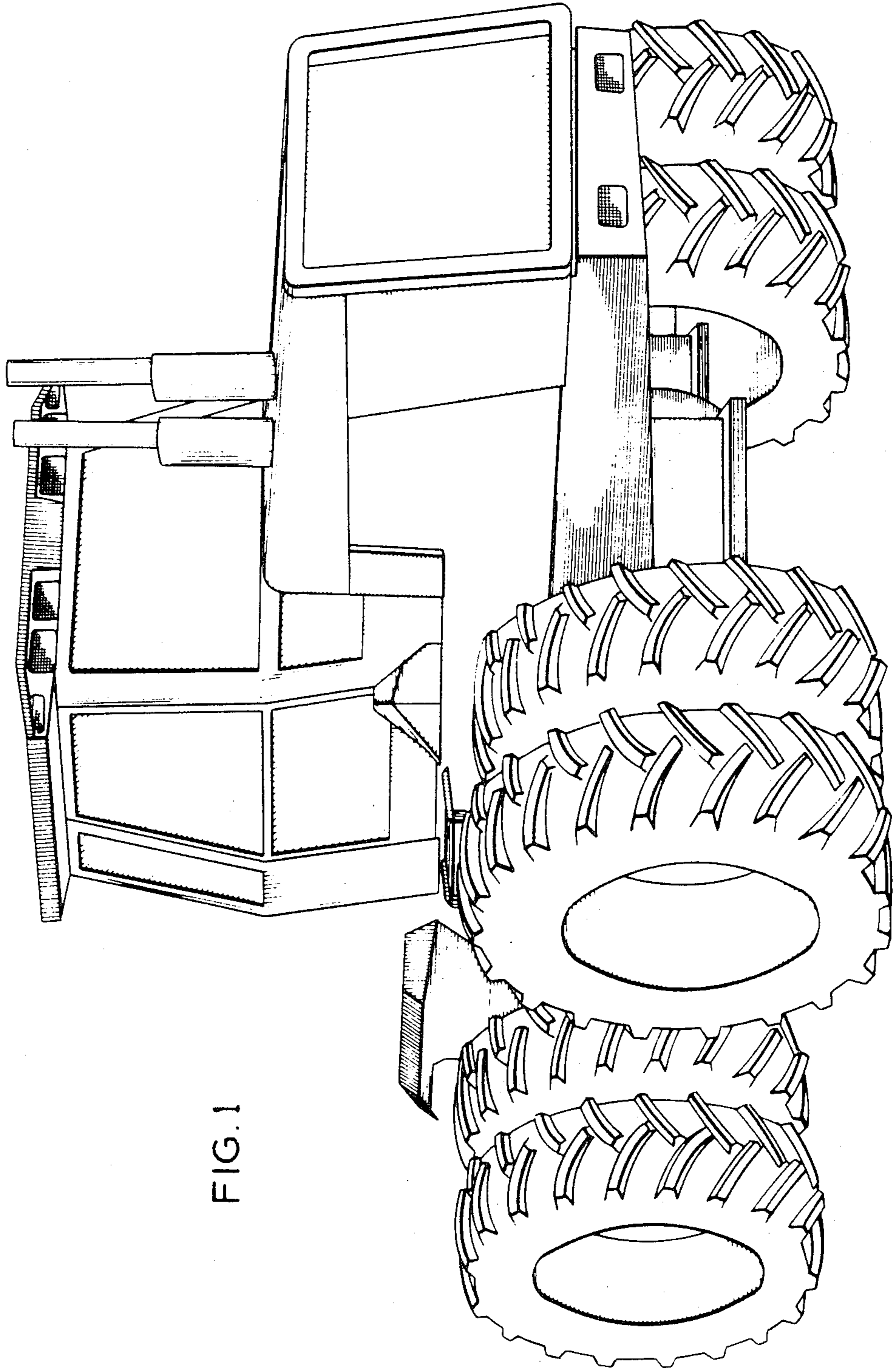
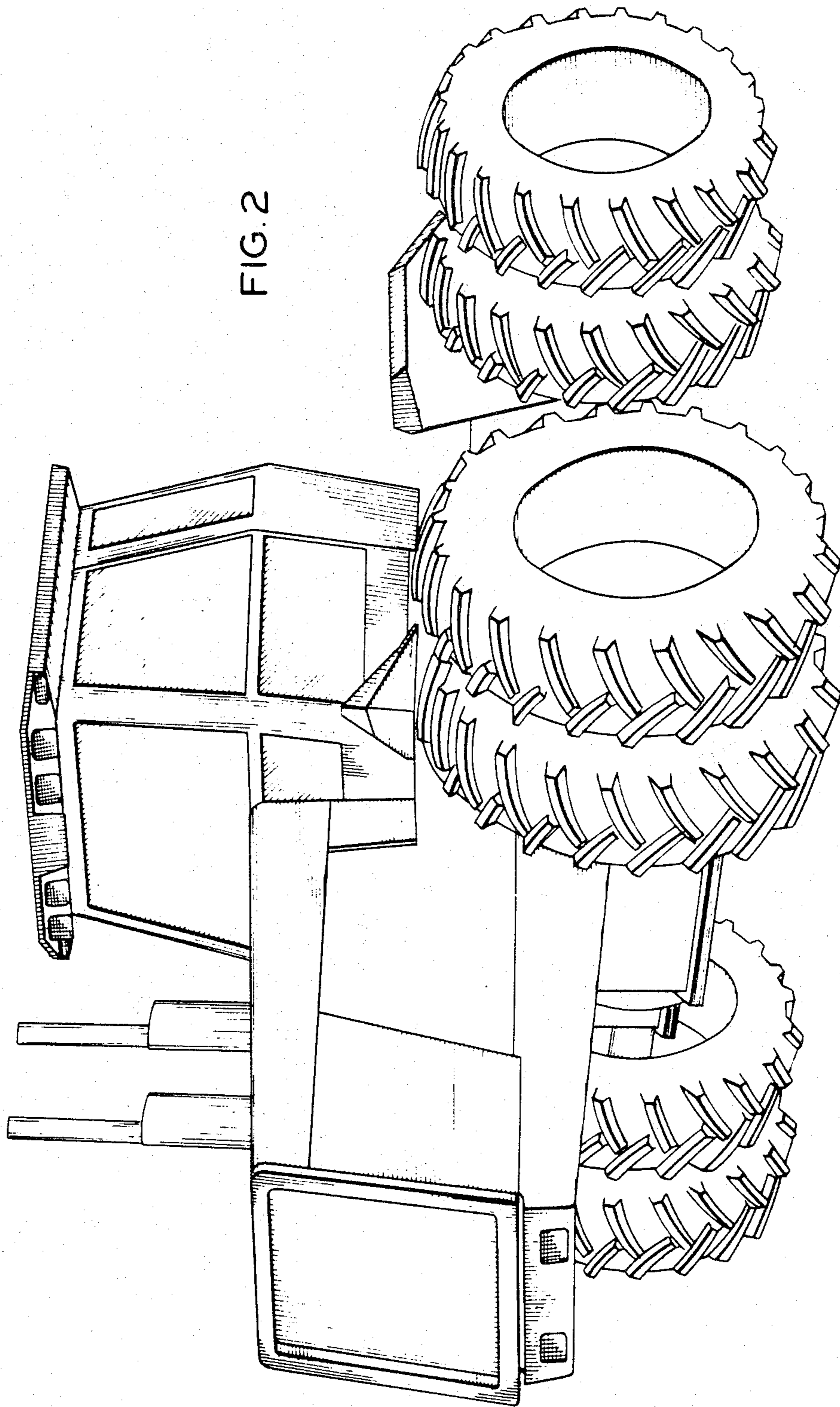


FIG. 1

FIG. 2



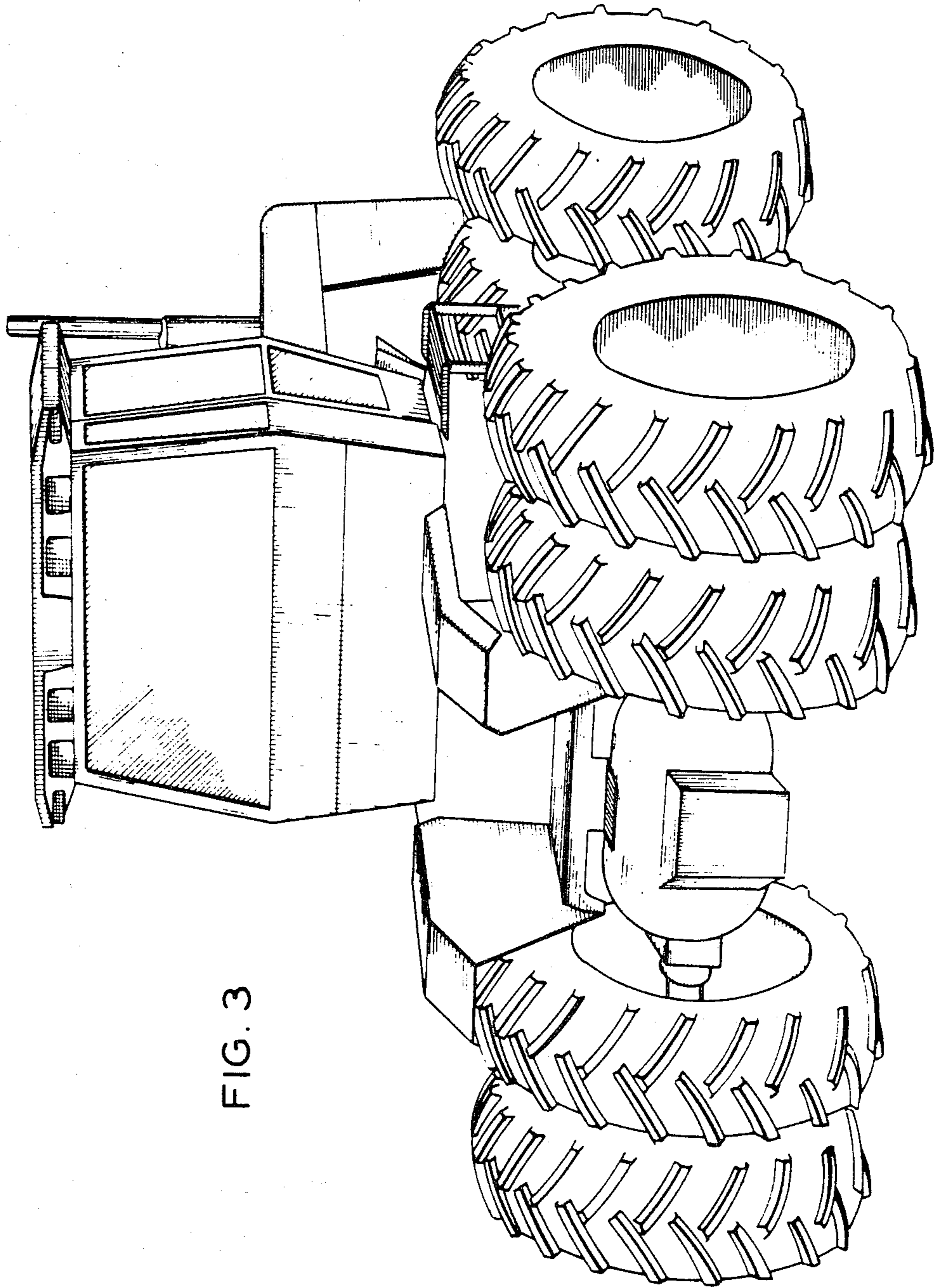


FIG. 3