

[54] MICROPHONE

[75] Inventor: Alan R. Watson, Niles, Mich.

[73] Assignee: Electro-Voice, Incorporated, Buchanan, Mich.

[\*\*] Term: 14 Years

[21] Appl. No.: 400,946

[22] Filed: Jul. 22, 1982

[52] U.S. Cl. .... D14/12

[58] Field of Search ..... D14/12; 179/121 D, 179, 179/187

[56] References Cited

U.S. PATENT DOCUMENTS

- D. 163,477 5/1951 Pike ..... D14/12
- D. 228,193 8/1973 Pruyne ..... D14/12

FOREIGN PATENT DOCUMENTS

- 58-29290 2/1983 Japan ..... 179/187

OTHER PUBLICATIONS

Grossman Music Corp., Cleveland, Ohio, Catalog 68, ©'67, p. 470, Model 578.

Grossman Music Corp., Cleveland, Ohio, Cat. 68, ©'67, p. 471, Model No. S95D & 95D.

Primary Examiner—Jane E. Corrigan  
Attorney, Agent, or Firm—Burmeister, York, Palmatier, Hamby & Jones

[57] CLAIM

The ornamental design for a microphone, as shown and described.

DESCRIPTION

FIG. 1 is a front, bottom and right side perspective view of a microphone showing my new design, with the texture on the head, shown in FIGS. 2-6, omitted for convenience of illustration;

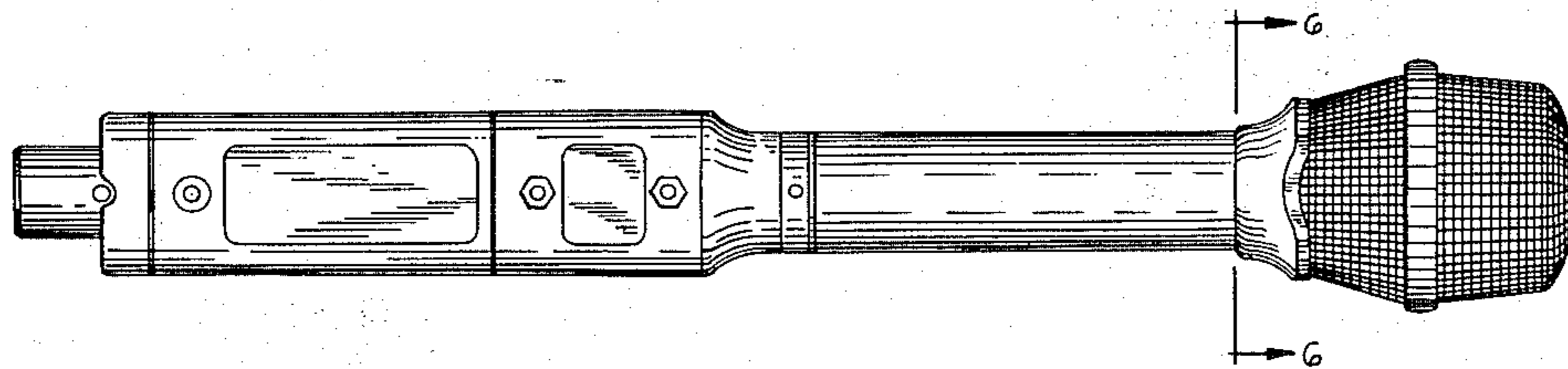
FIG. 2 is a front elevational view;

FIG. 3 is a rear elevational view;

FIG. 4 is a right side elevational view, the left side thereof being a mirror image thereof;

FIG. 5 is a top plan view; and

FIG. 6 is a sectional view taken along line 6-6 in FIGS. 2-4.



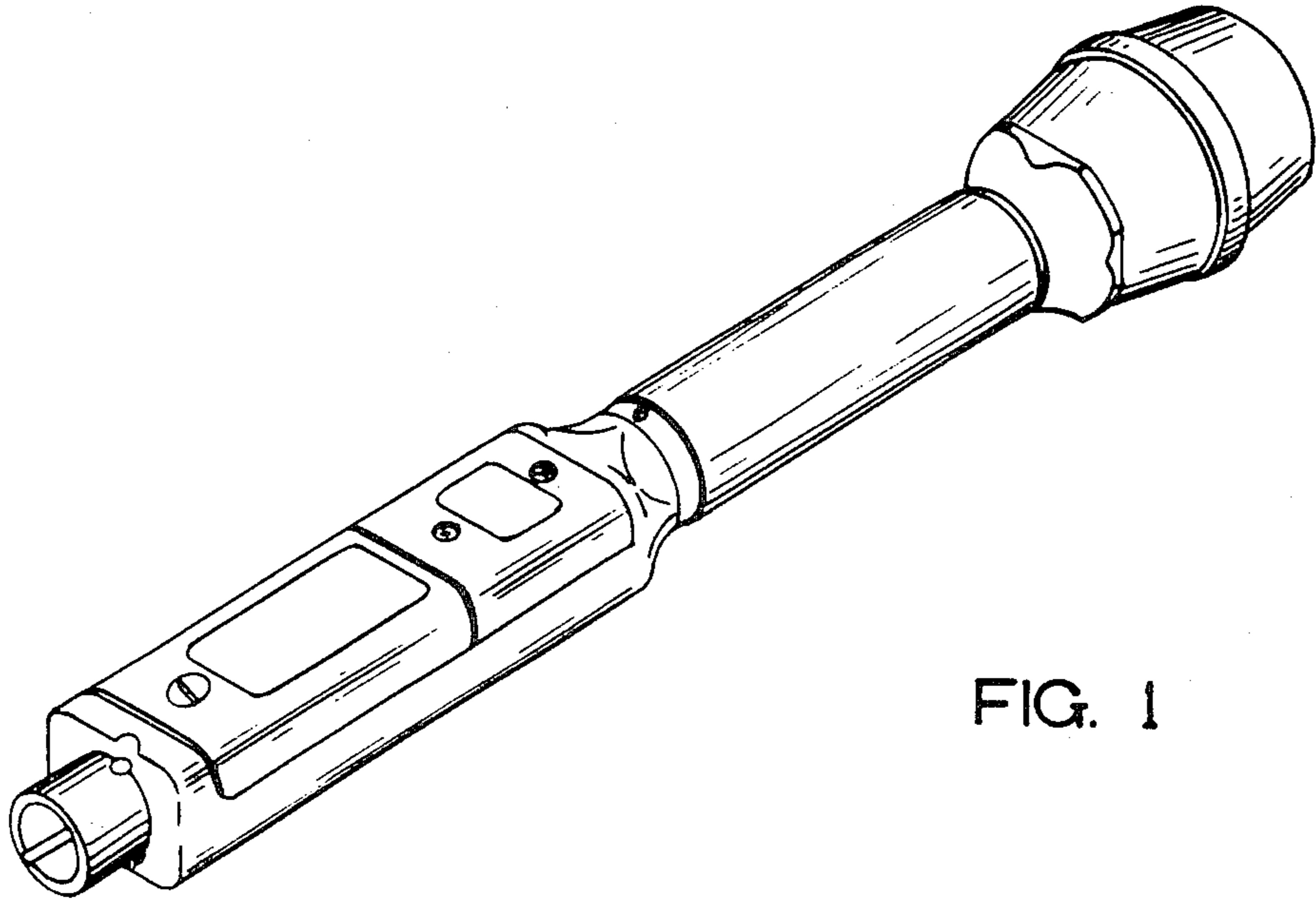


FIG. 1

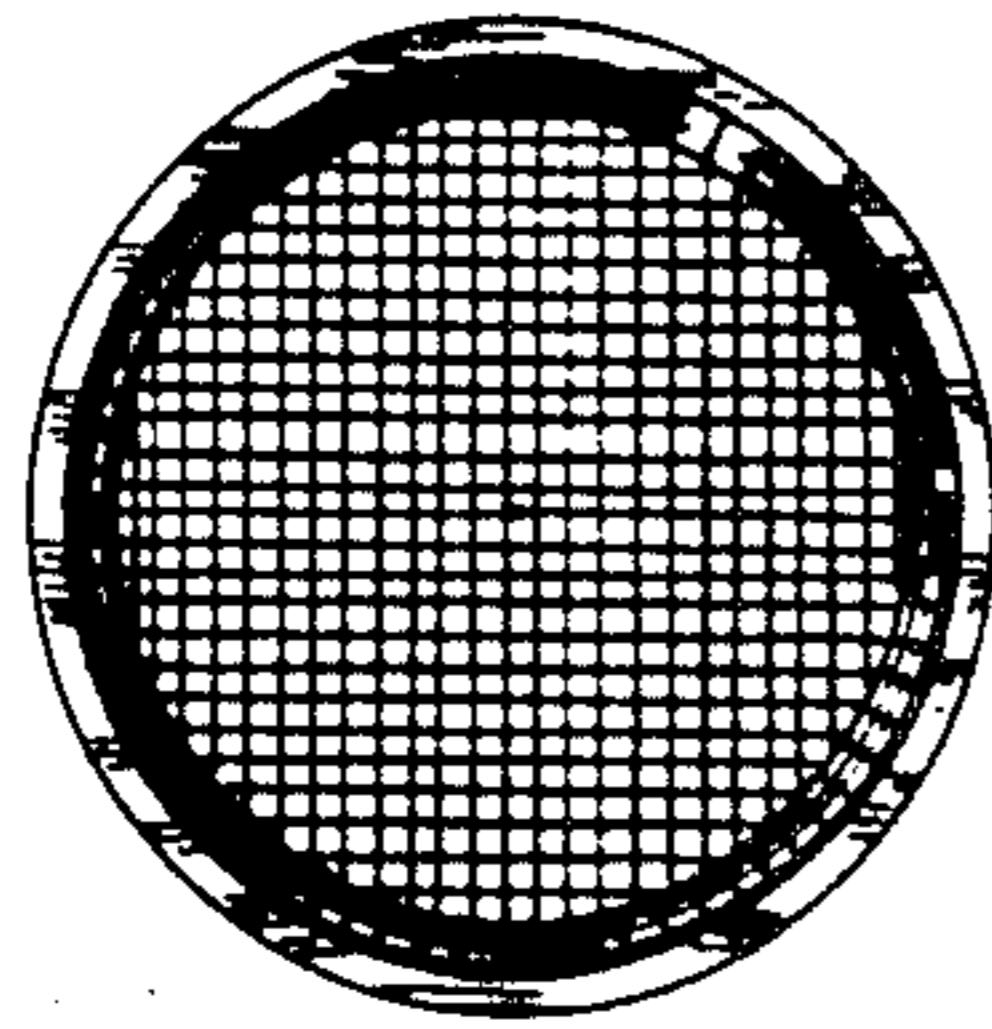


FIG. 5

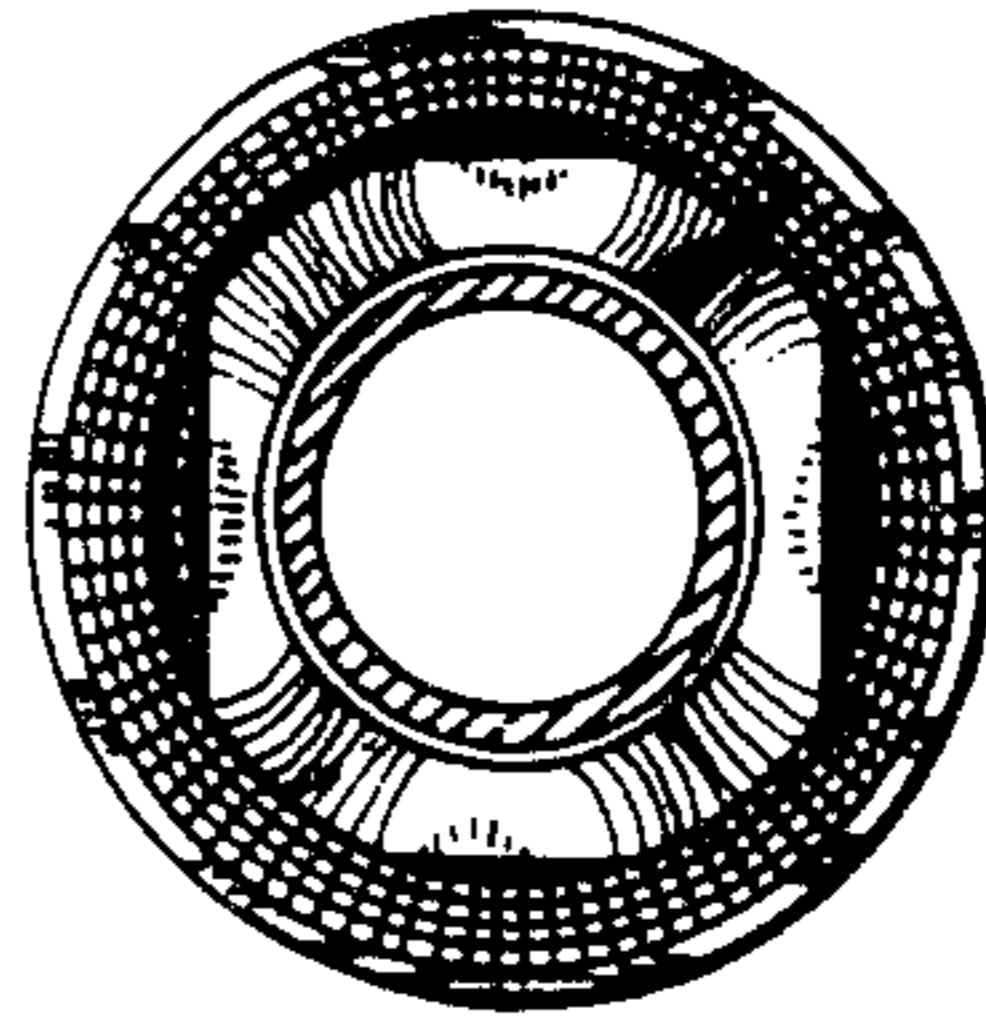


FIG. 6

FIG. 2

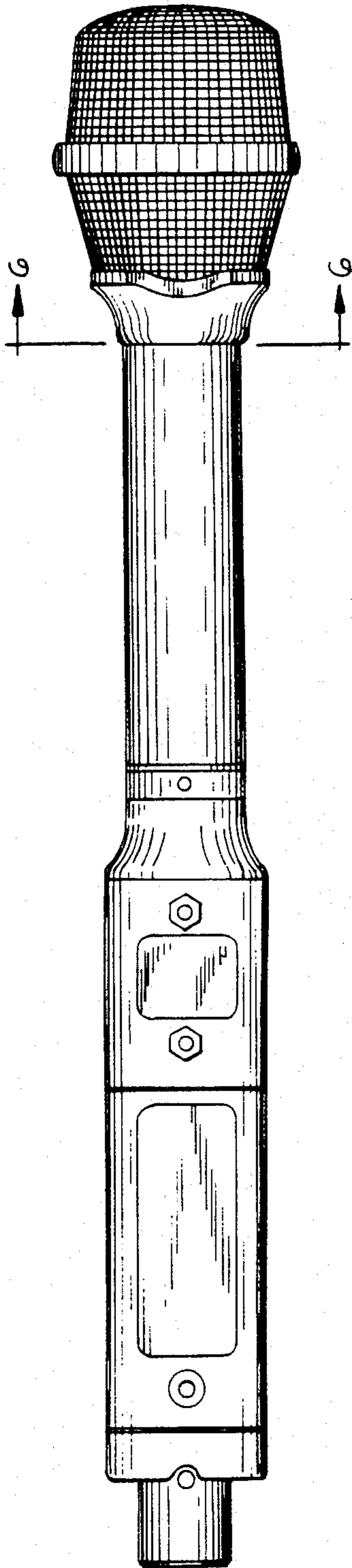


FIG. 3

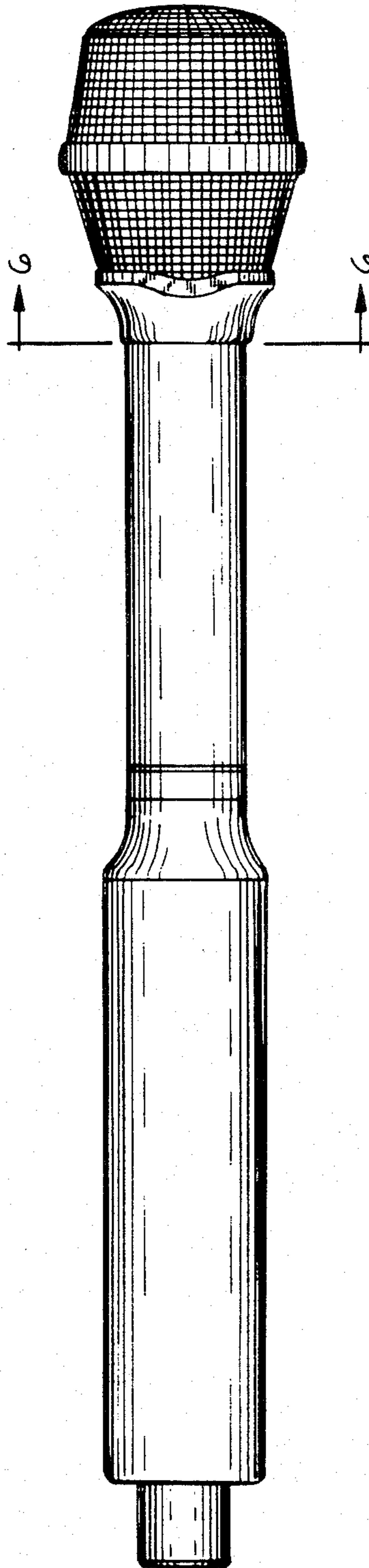


FIG. 4

