

# United States Patent [19]

Koppensteiner et al.

[11] Patent Number: **Des. 277,848**

[45] Date of Patent: **\*\* Mar. 5, 1985**

[54] **PROTECTIVE COVER FOR A HYBRID  
CIRCUIT SWITCHING DEVICE**

[75] Inventors: **James V. Koppensteiner, Chicago;  
George Len, Arlington Heights, both  
of Ill.**

[73] Assignee: **GTE Automatic Electric  
Incorporated, Northlake, Ill.**

[\*\*] Term: **14 Years**

[21] Appl. No.: **383,364**

[22] Filed: **Jun. 1, 1982**

[52] U.S. Cl. .... **D13/32**

[58] Field of Search ..... **D13/32, 40, 99;  
200/333; 361/331, 332, 334, 338, 380, 381, 383,  
384, 390-394; 174/50, 51, 52 R**

[56] **References Cited**

### U.S. PATENT DOCUMENTS

D. 136,295 8/1943 Robbins ..... D13/32

D. 138,405 8/1944 Cole ..... D13/32  
D. 199,026 9/1964 Rasor ..... D13/32  
3,778,577 12/1973 Fromknecht et al. .... 200/333  
4,225,748 9/1980 Buck et al. .... 361/331

*Primary Examiner*—Wallace R. Burke  
*Assistant Examiner*—Lynn Wilder  
*Attorney, Agent, or Firm*—Anthony Miologos; Robert J. Black

### [57] CLAIM

The ornamental design for a protective cover for a hybrid circuit switching device, as shown and described.

### DESCRIPTION

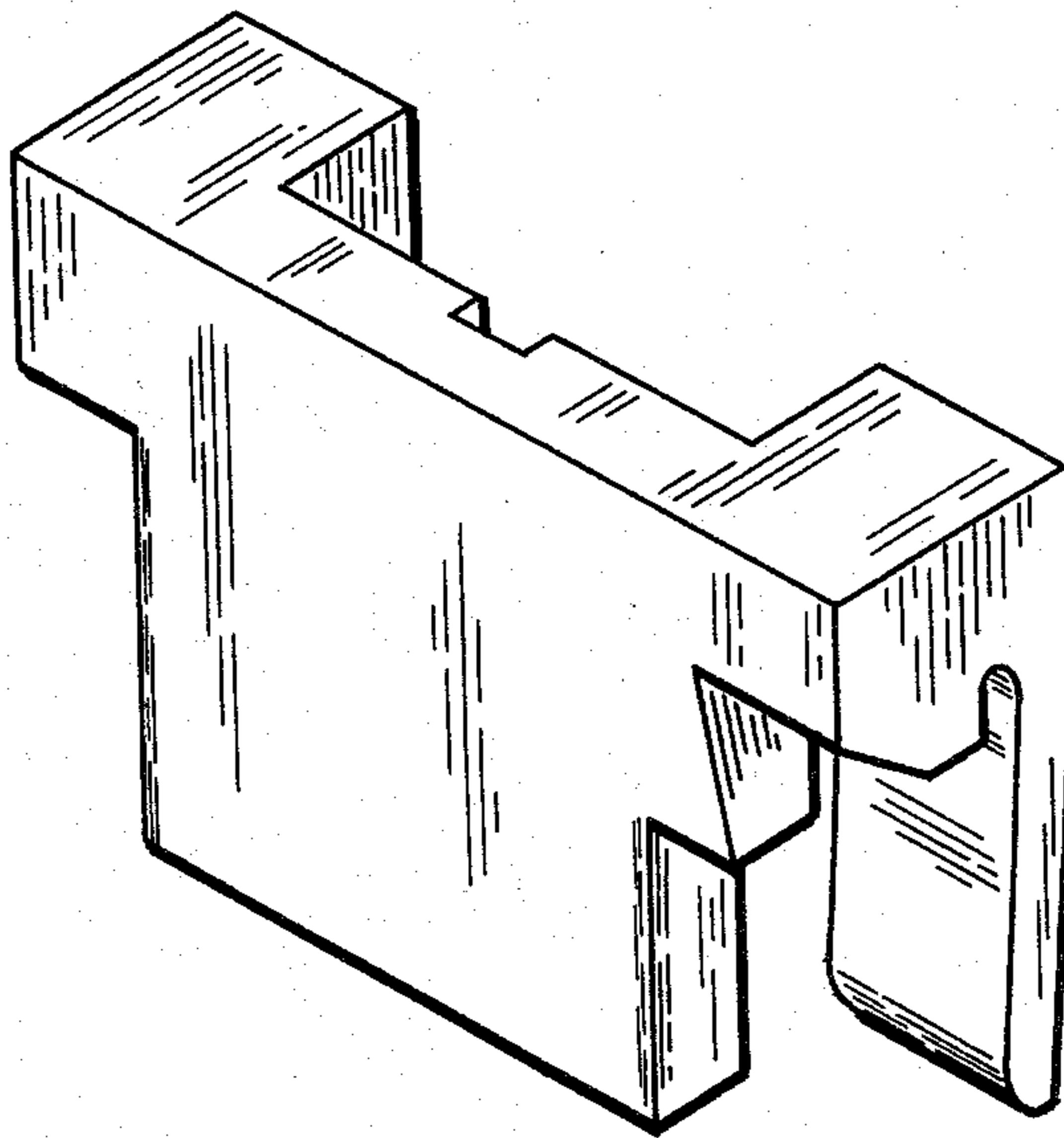
FIG. 1 is a perspective view of a protective cover for a hybrid circuit switching device, showing our new design;

FIG. 2 is a front elevational view thereof;

FIG. 3 is a bottom plan view thereof;

FIG. 4 is a left side elevational view thereof; and

FIG. 5 is a right side elevational view thereof.



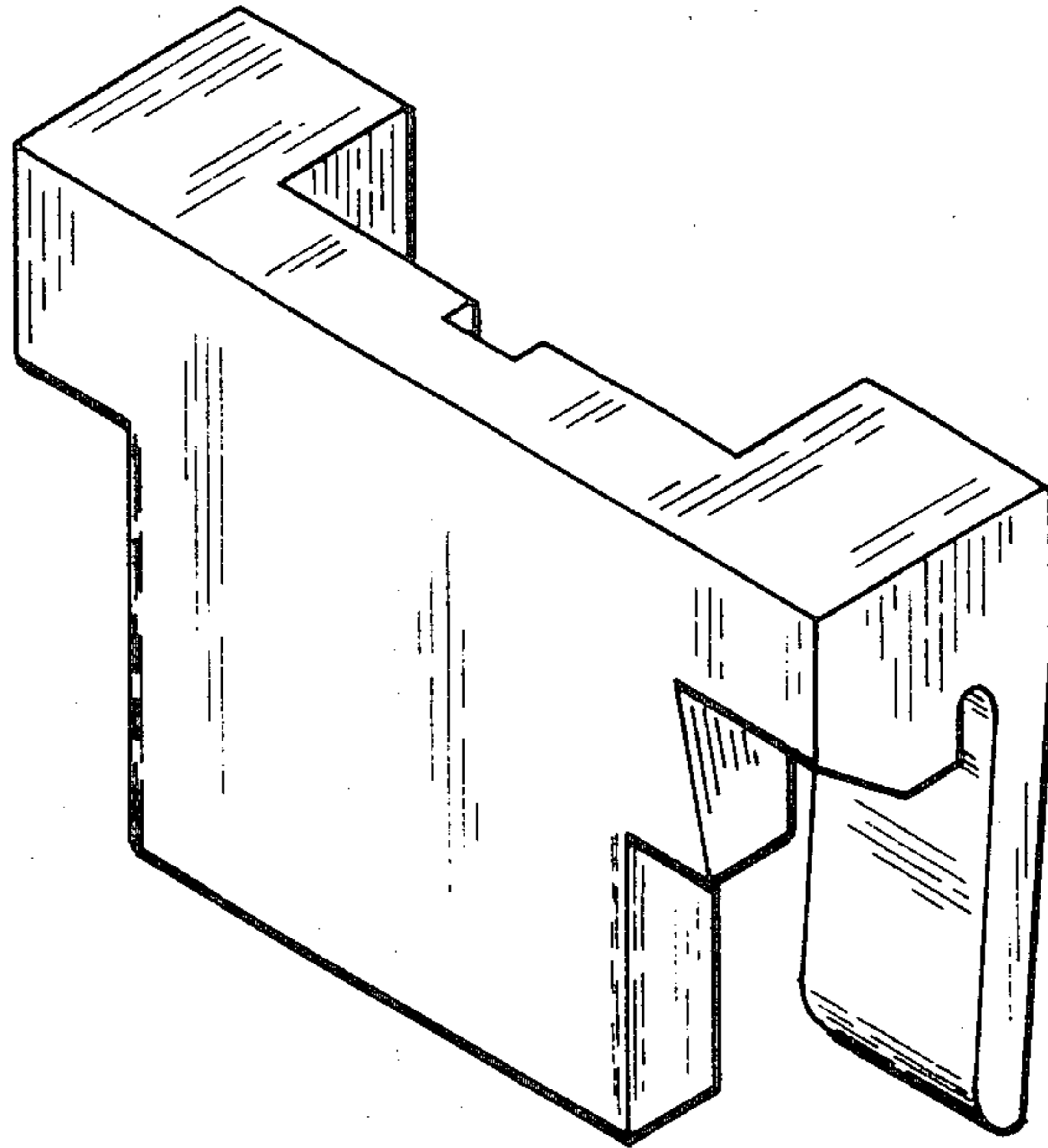


FIG. 1

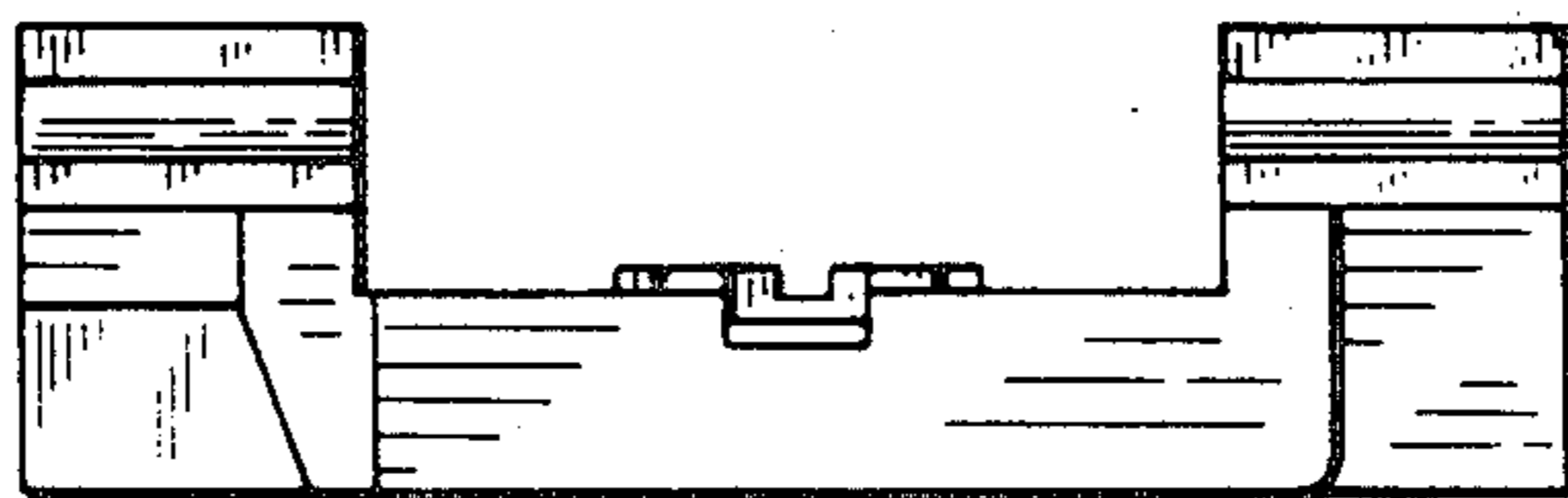


FIG. 2

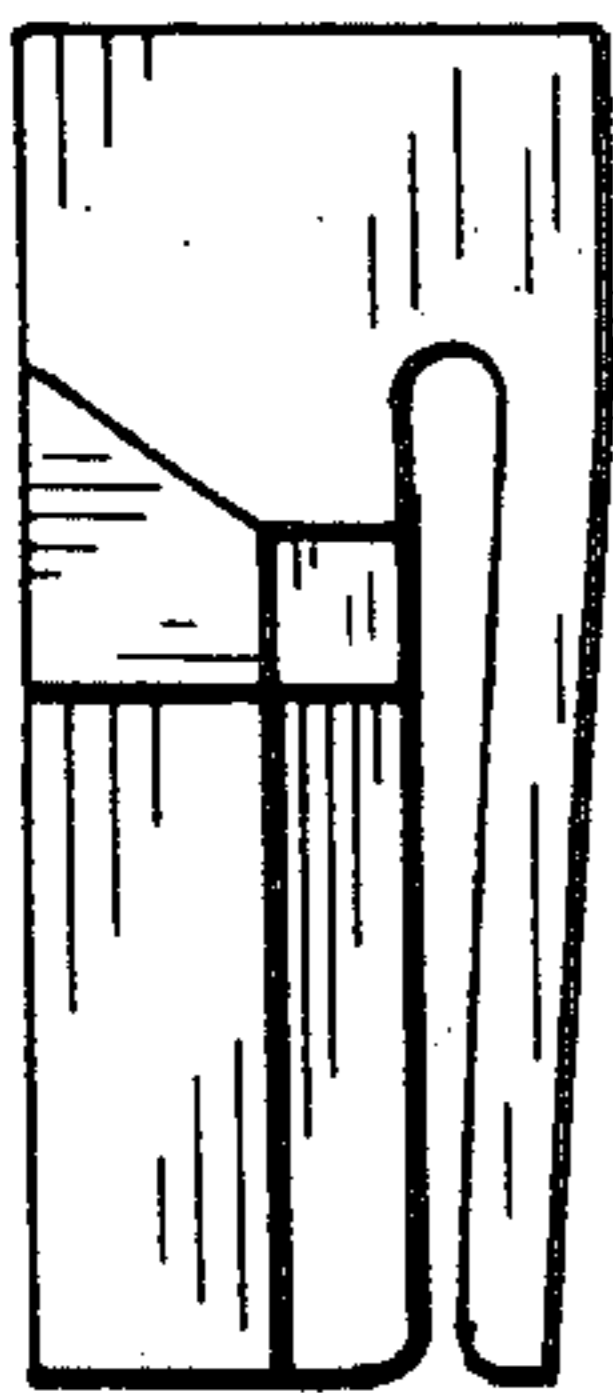


FIG. 4

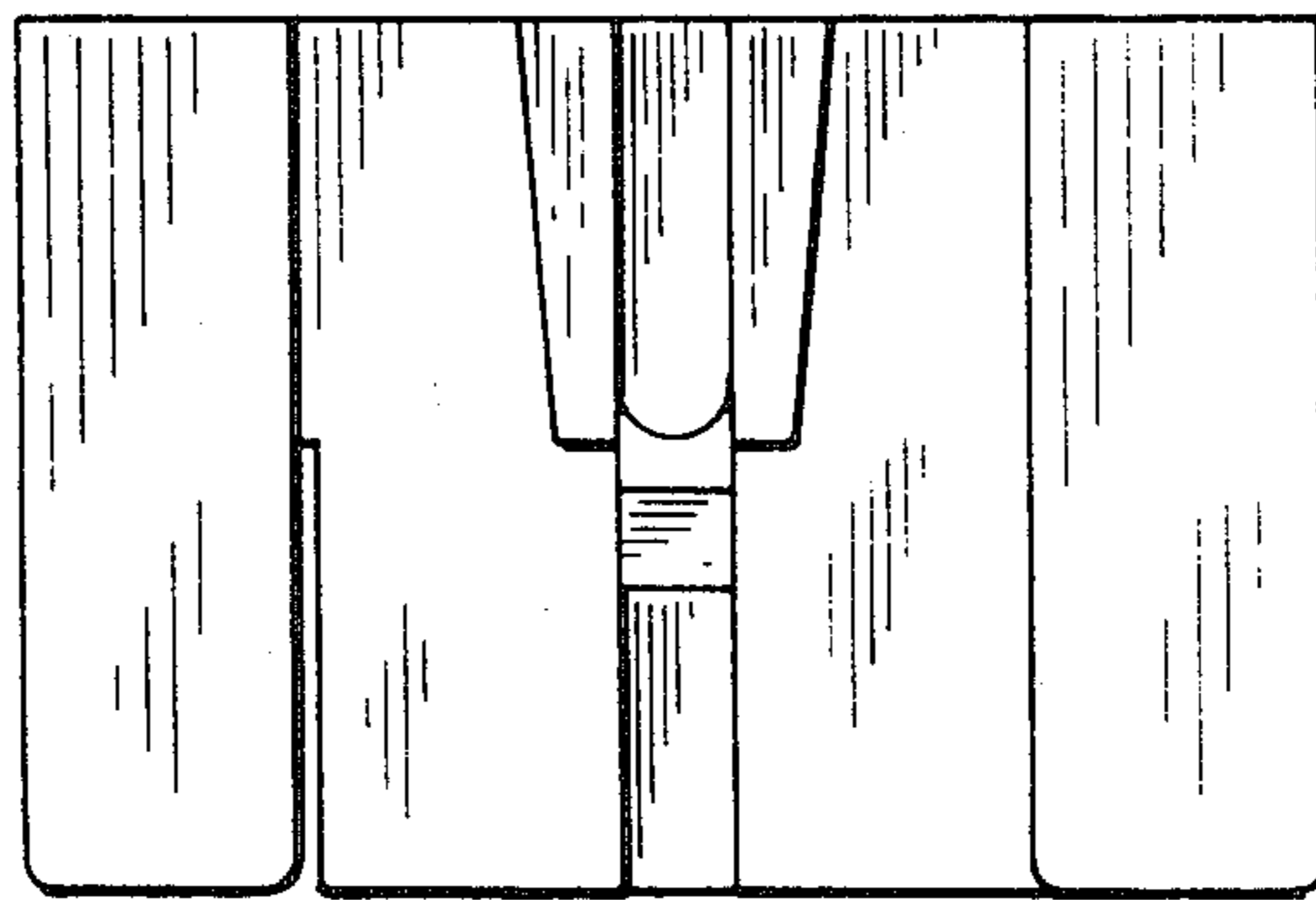


FIG. 3

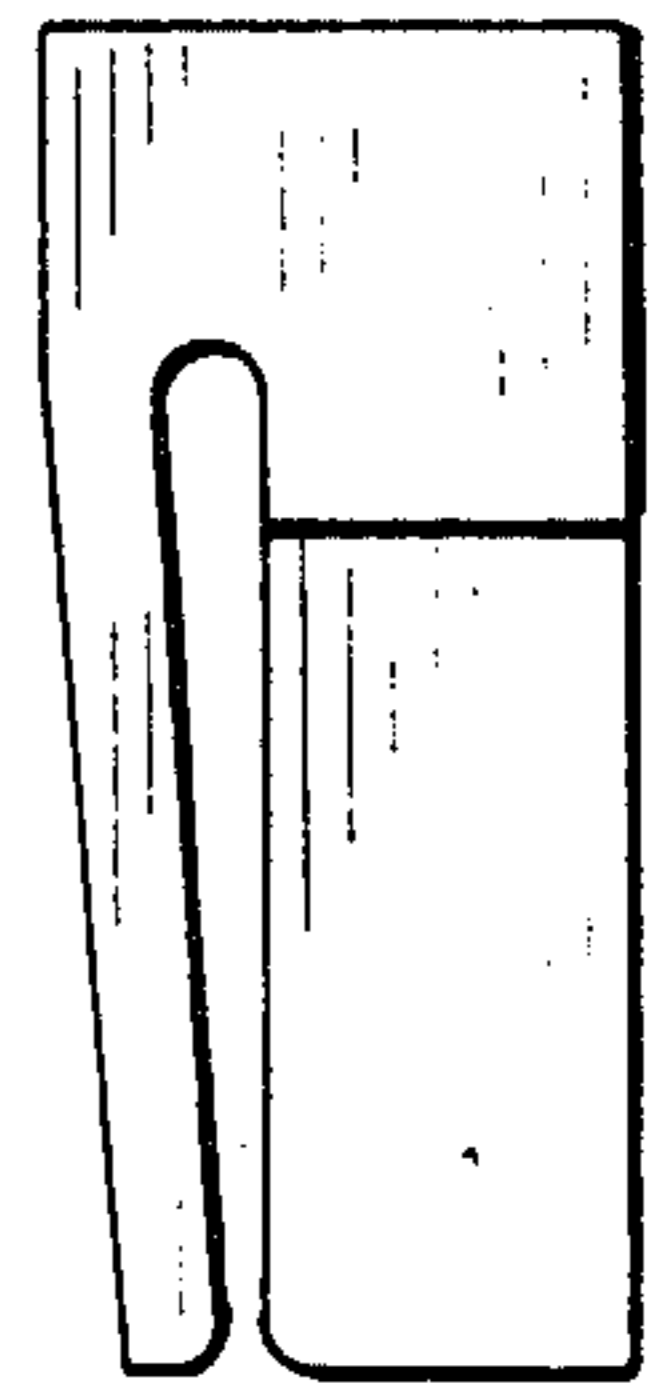


FIG. 5