

[54] **COAXIAL SWITCH**

[76] **Inventor: Chi-Hao Huang, No. 1, Chen Chung St., Chung Ho Li, Chang Hua City, Taiwan, 500 R.O.C.**

[\*\*] **Term: 14 Years**

[21] **Appl. No.: 379,904**

[22] **Filed: Aug. 13, 1982**

[52] **U.S. Cl. .... D13/32**

[58] **Field of Search ..... D13/32, 39, 37; D15/7; 200/1-5**

[56] **References Cited**

**U.S. PATENT DOCUMENTS**

D. 188,051	5/1960	Grenier .....	D13/32
D. 194,106	11/1962	Monson .....	D13/32
D. 196,512	10/1963	Clason et al. ....	D13/32
D. 209,055	10/1967	Deal et al. ....	D13/32
D. 235,147	5/1975	Snyder .....	D13/32

**OTHER PUBLICATIONS**

Transco Products Inc., Coaxial/Waveguide, pp. 9, 10, Switches 9/82.

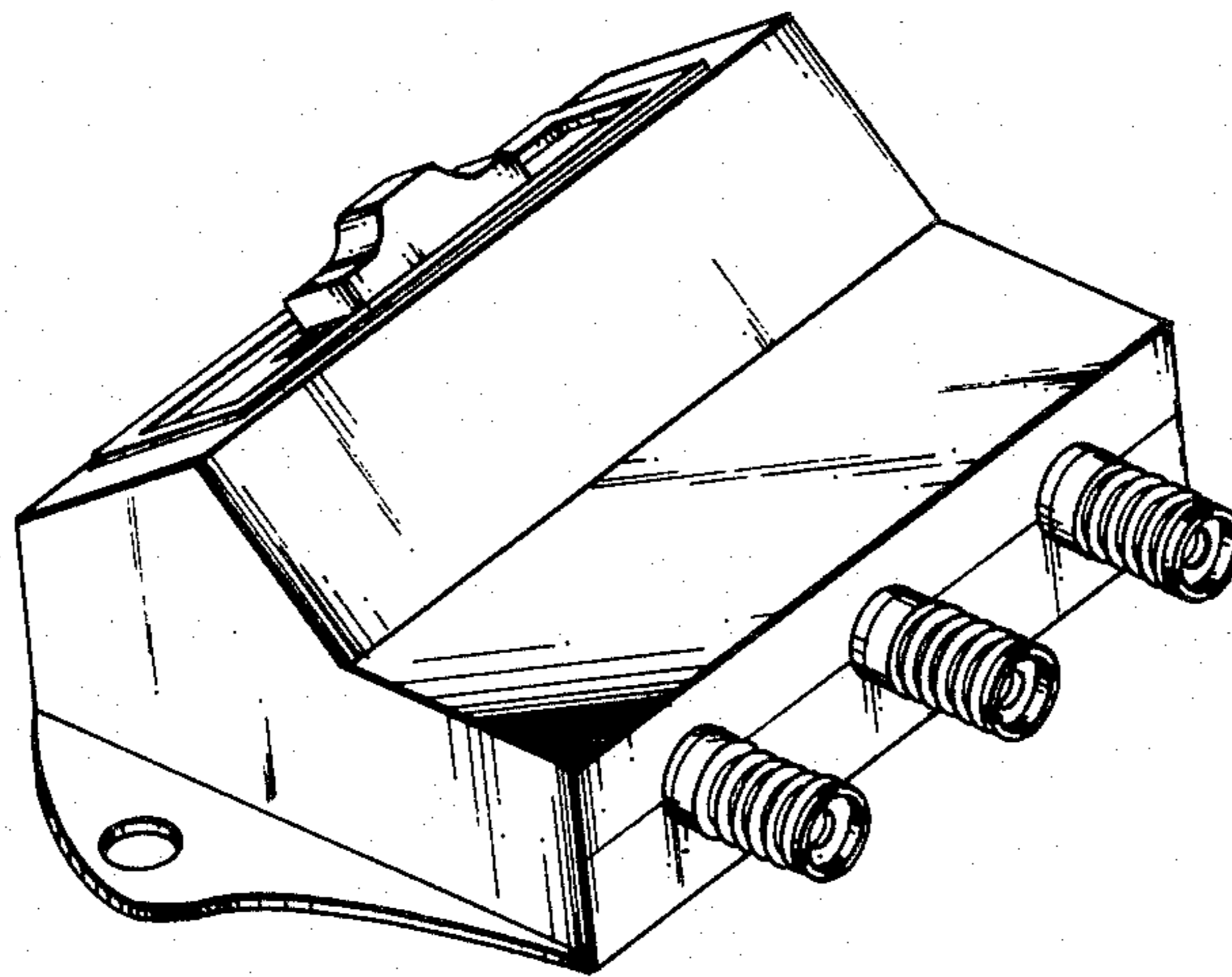
*Primary Examiner*—A. Hugo Word  
*Assistant Examiner*—Lynn Wilder  
*Attorney, Agent, or Firm*—Robert E. Burns; Emmanuel J. Lobato; Bruce L. Adams

[57] **CLAIM**

The ornamental design for a coaxial switch, as shown and described.

**DESCRIPTION**

FIG. 1 is a perspective view taken from above and one side of a coaxial switch showing my new design; FIG. 2 is a front elevation thereof; FIG. 3 is a side elevation thereof; FIG. 4 is a rear elevation thereof; FIG. 5 is a top plan view thereof; and FIG. 6 is a bottom plan view thereof.



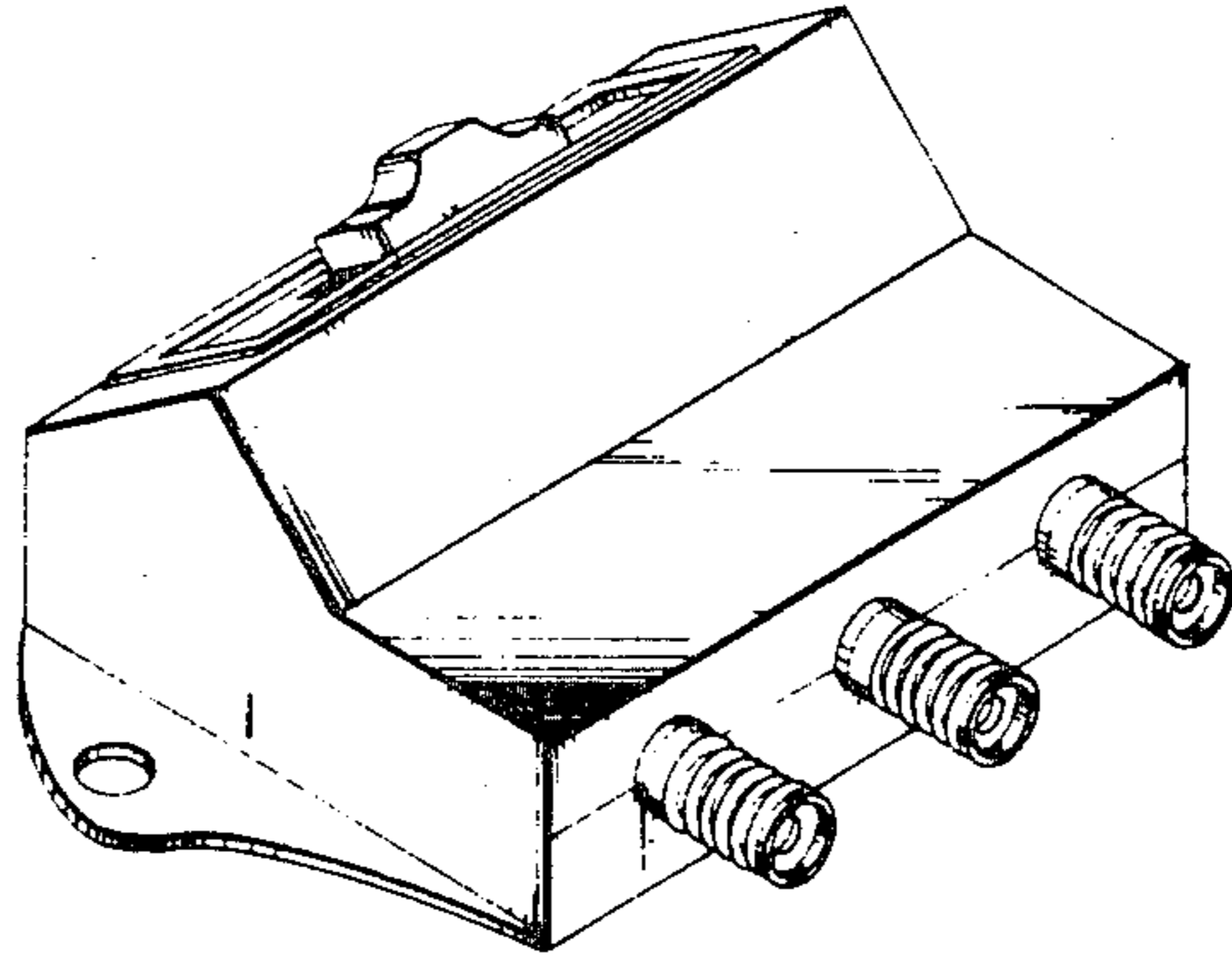


Fig. 1

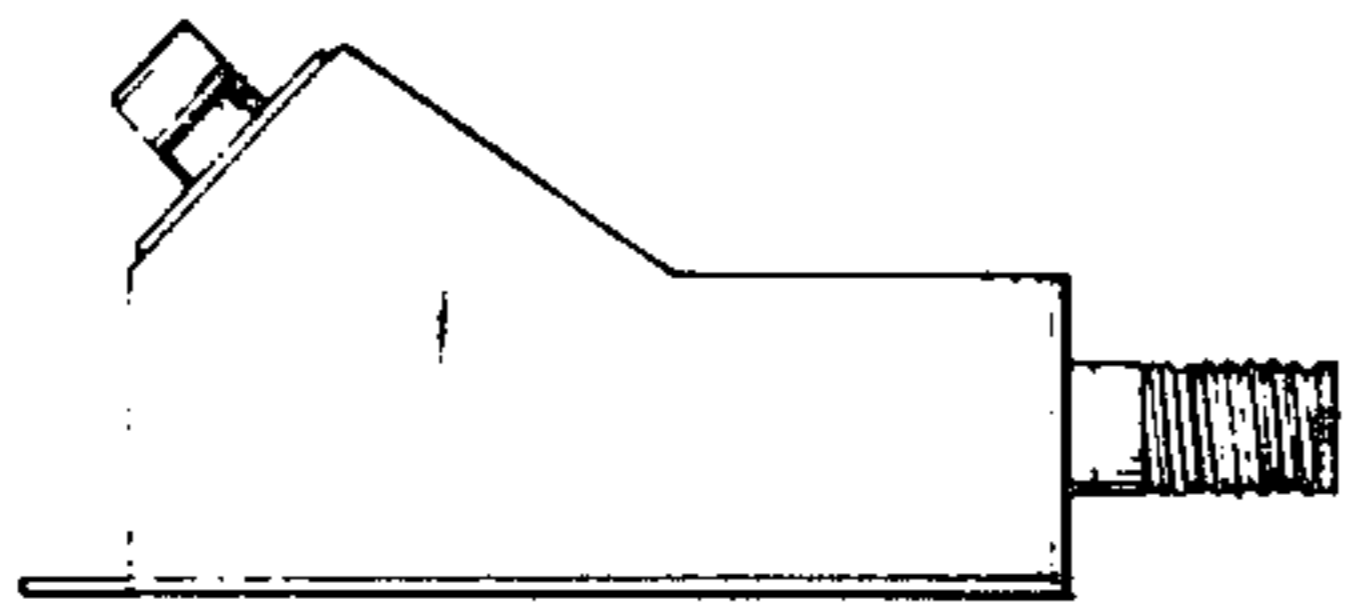


Fig. 3

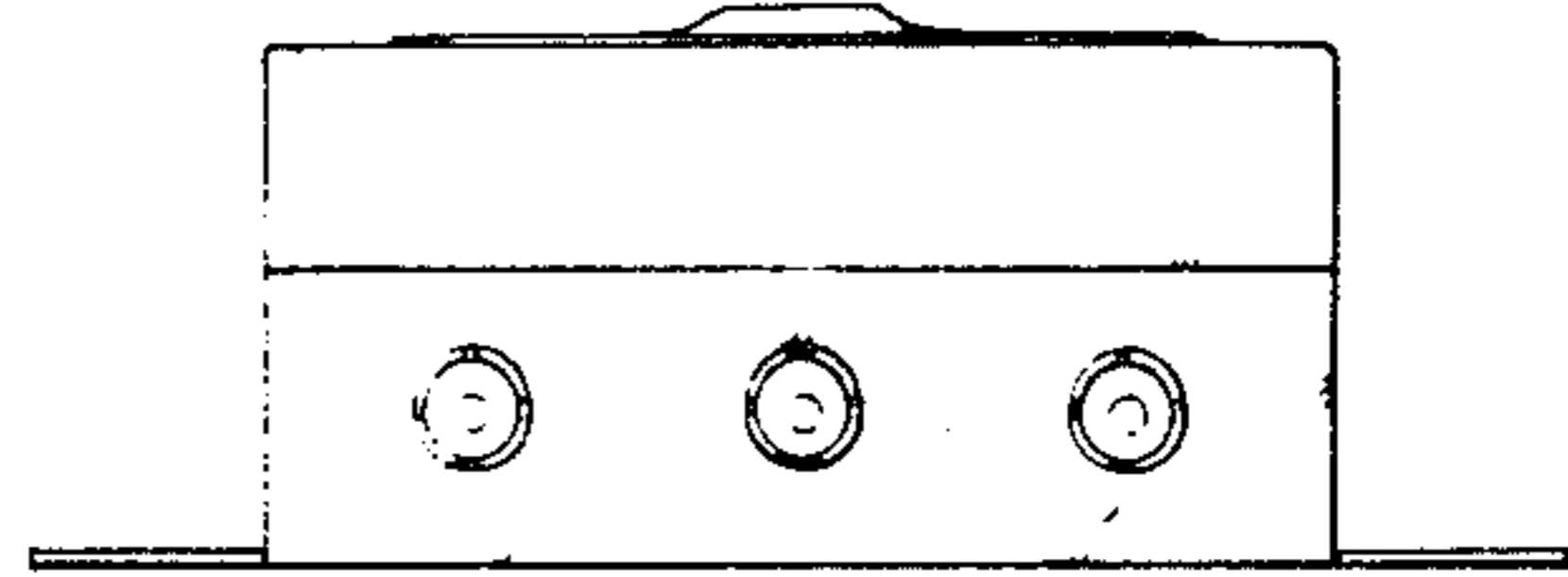


Fig. 2

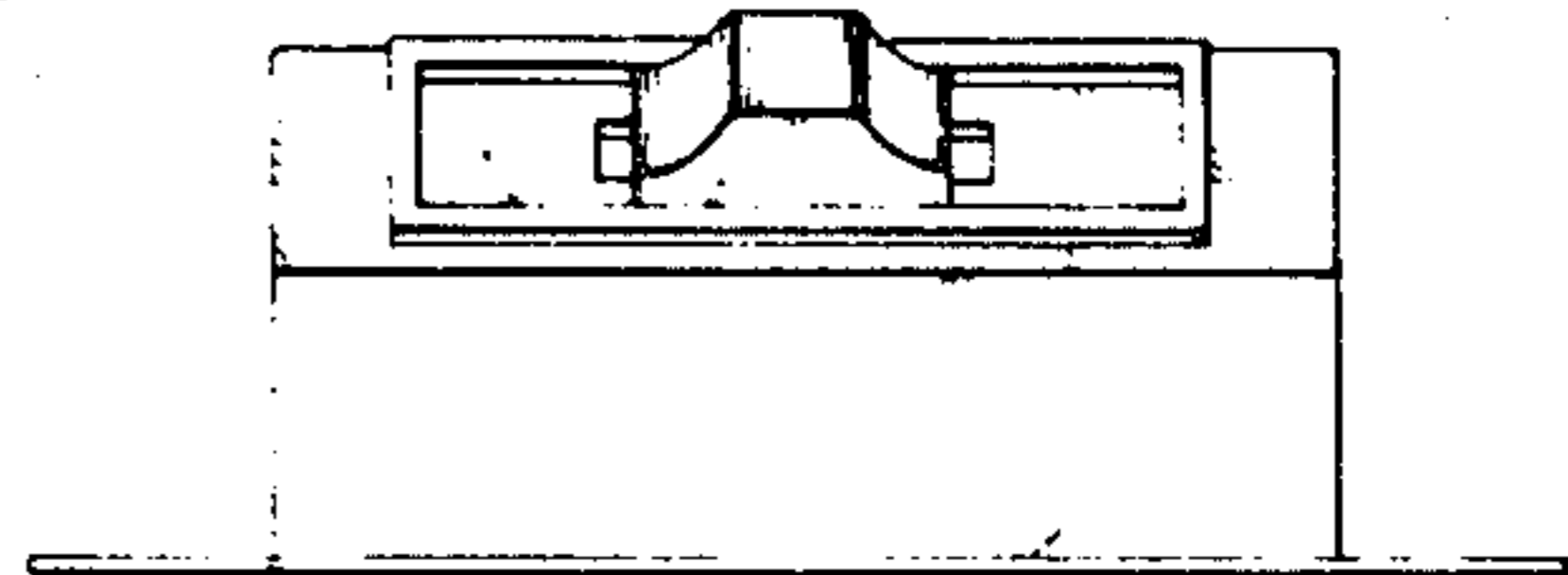


Fig. 4

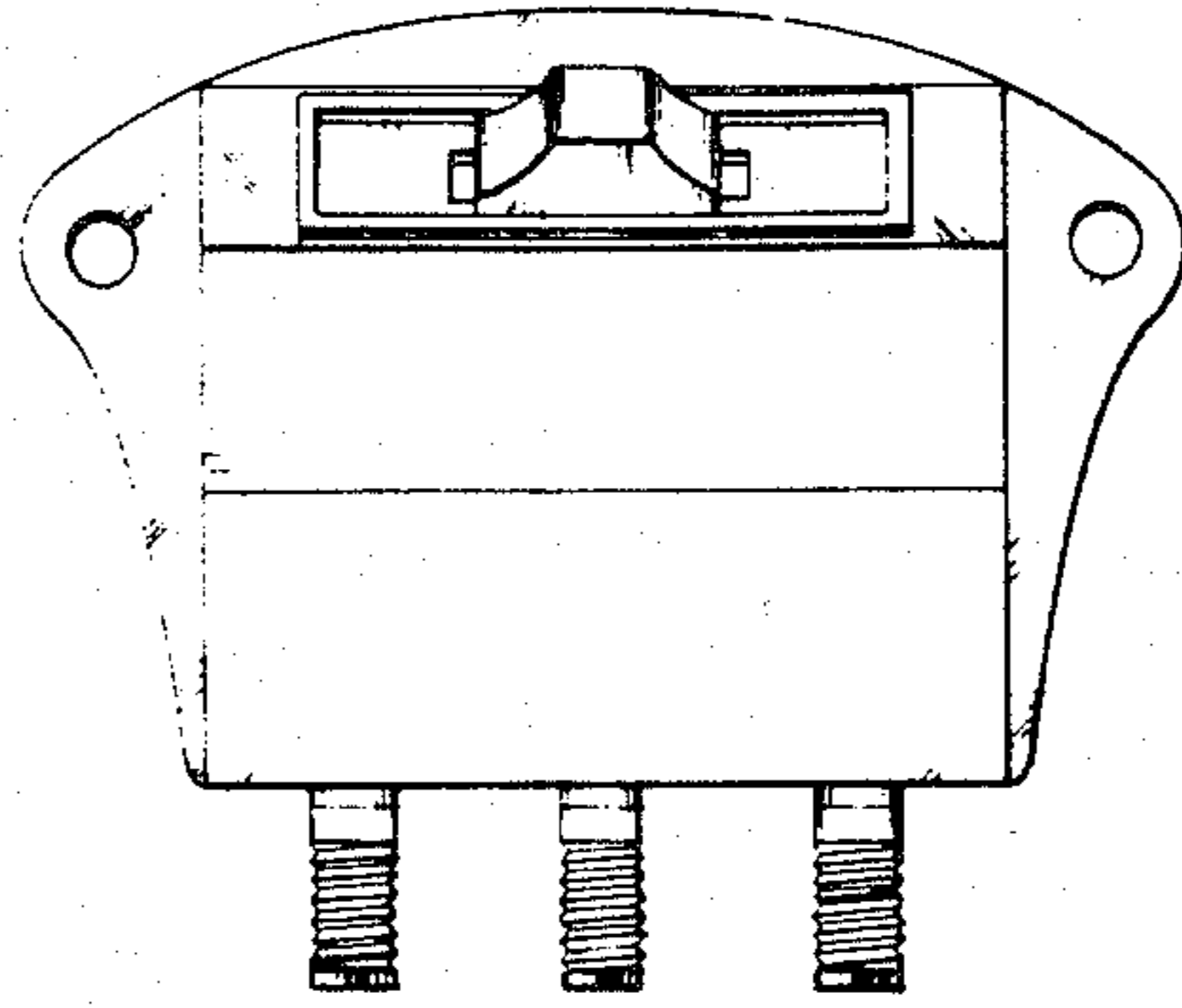


Fig. 5

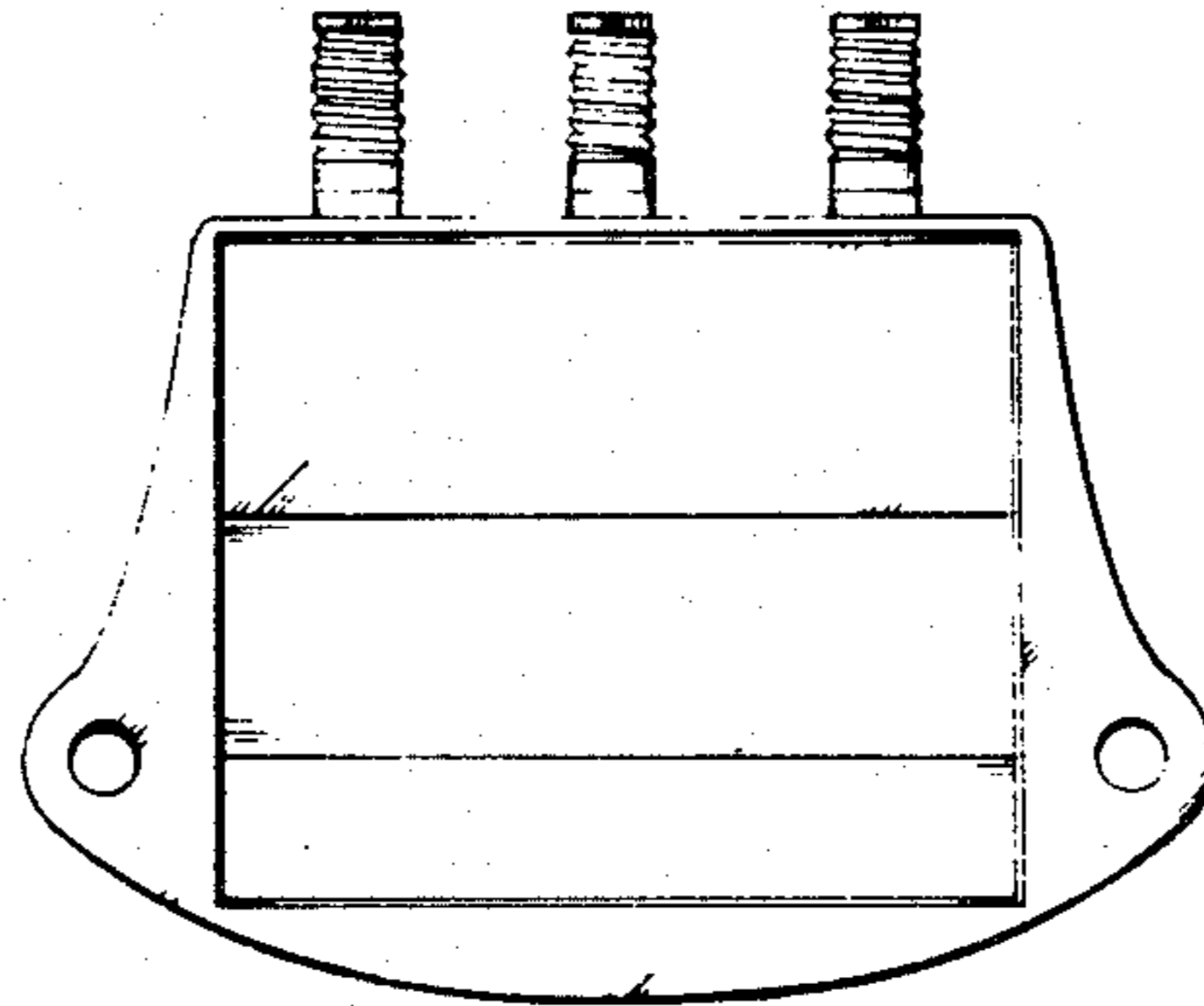


Fig. 6