

[54] **FAIRING FOR A TRUCK TRAILER**

[75] **Inventor:** Charles-Henri Jacques, Beauceville est, Canada

[73] **Assignee:** Manac Inc., St-Georges-de-Beauce, Canada

[**] **Term:** 14 Years

[21] **Appl. No.:** 448,241

[22] **Filed:** Dec. 9, 1982

[30] **Foreign Application Priority Data**

Nov. 30, 1982 [CA] Canada 30-11-82-7
[52] **U.S. Cl.** **D12/181**
[58] **Field of Search** D12/97; 296/1 S, 181

[56] **References Cited**

U.S. PATENT DOCUMENTS

4,210,354 7/1980 Canning 296/1 S

OTHER PUBLICATIONS

Commercial Car Journal, 7/80, p. 109, Trailer, top of page.

Commercial Car Journal, 9/81, p. 69, Trailer Wind Deflector Shield, center of page.

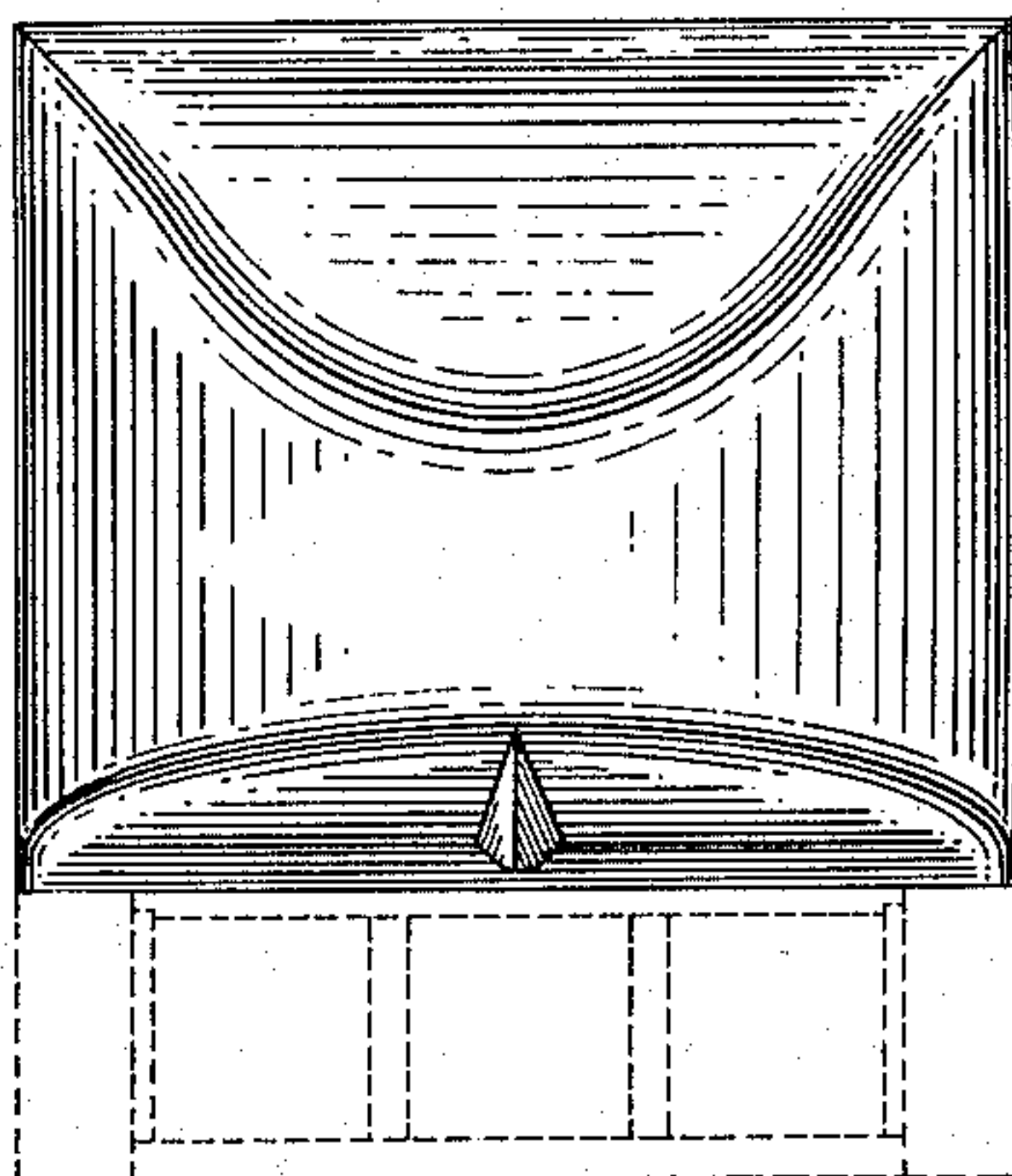
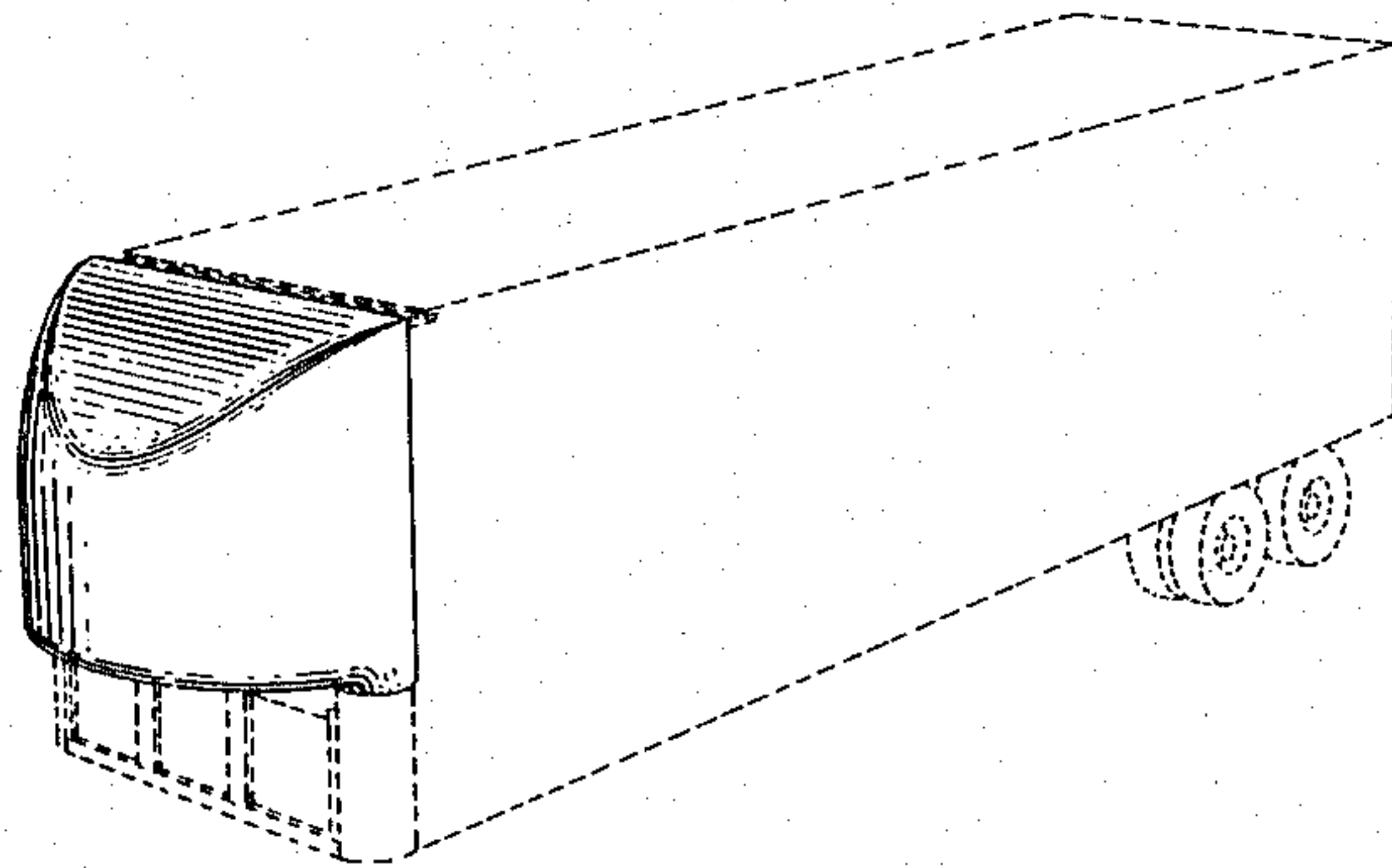
Primary Examiner—James M. Gandy
Attorney, Agent, or Firm—Swabey, Mitchell, Houle, Marcoux & Sher

[57] **CLAIM**

The ornamental design for a fairing for a truck trailer, as shown and described.

DESCRIPTION

FIG. 1 is a perspective view of a fairing for a truck trailer showing my new design with the trailer body in dotted lines for illustrative purposes only; FIG. 2 is an enlarged side elevational view thereof, the opposite side being a mirror image of that shown; FIG. 3 is an enlarged top plan view thereof; and FIG. 4 is a greatly enlarged front elevational view thereof.



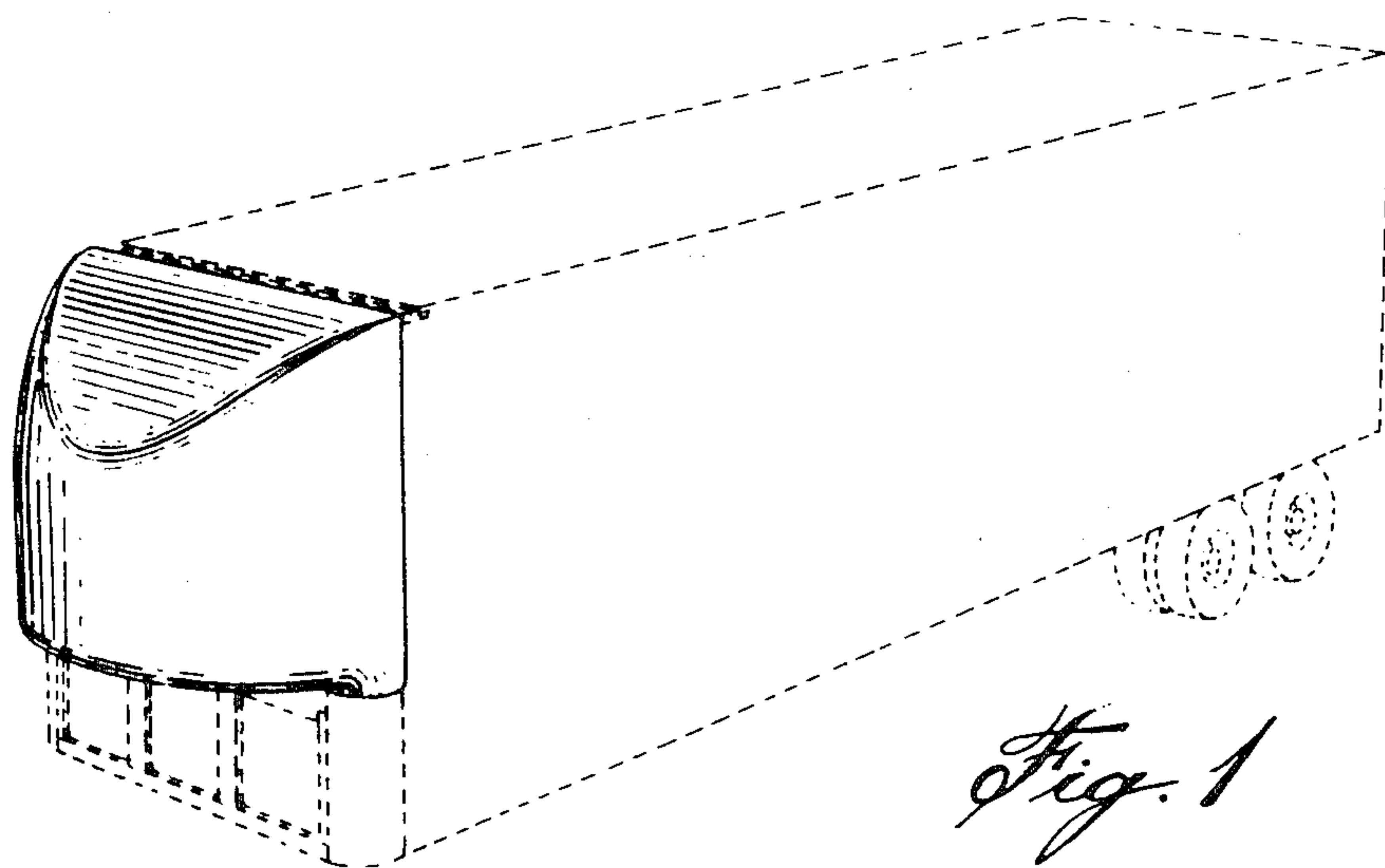


Fig. 1

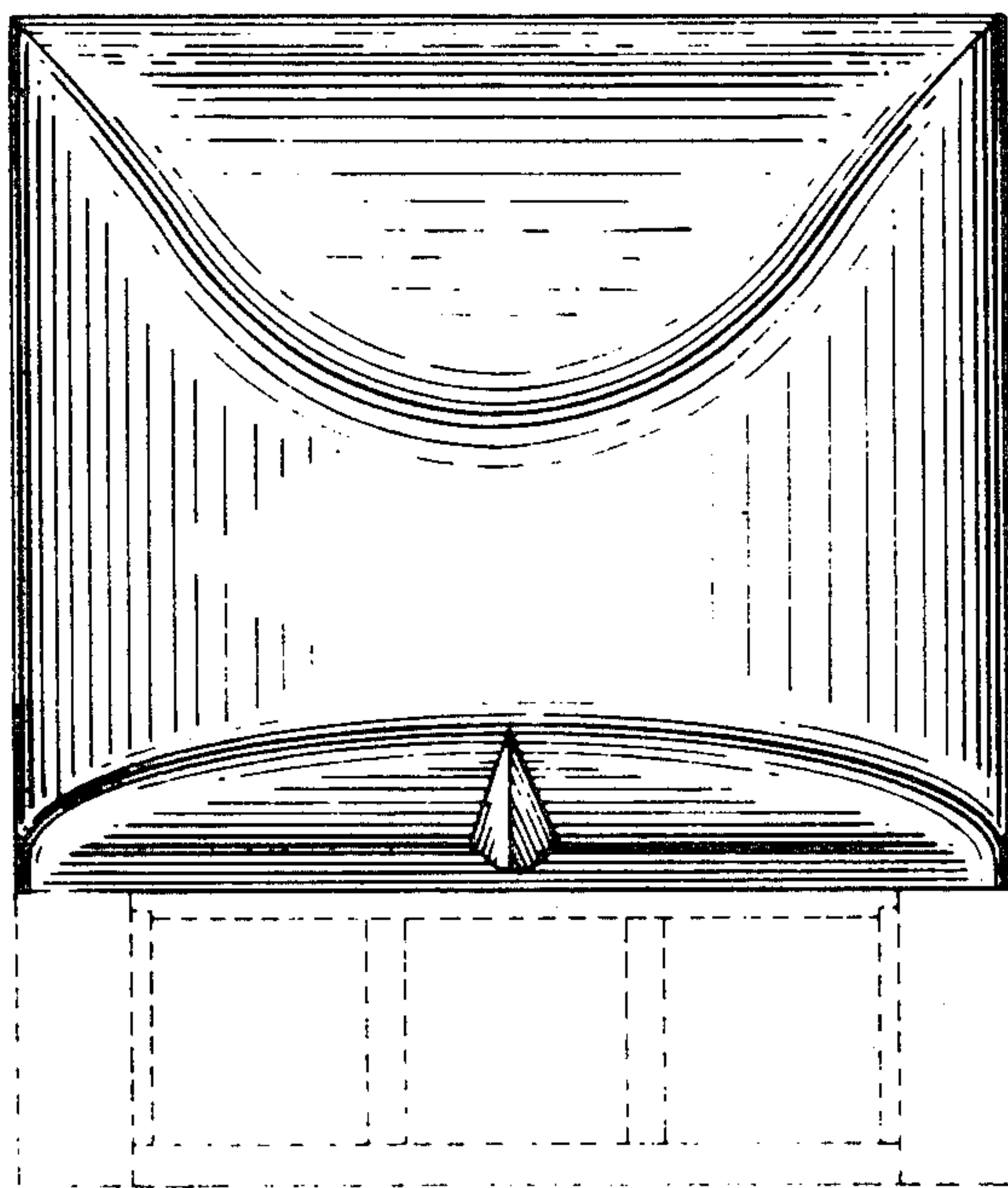


Fig. 4

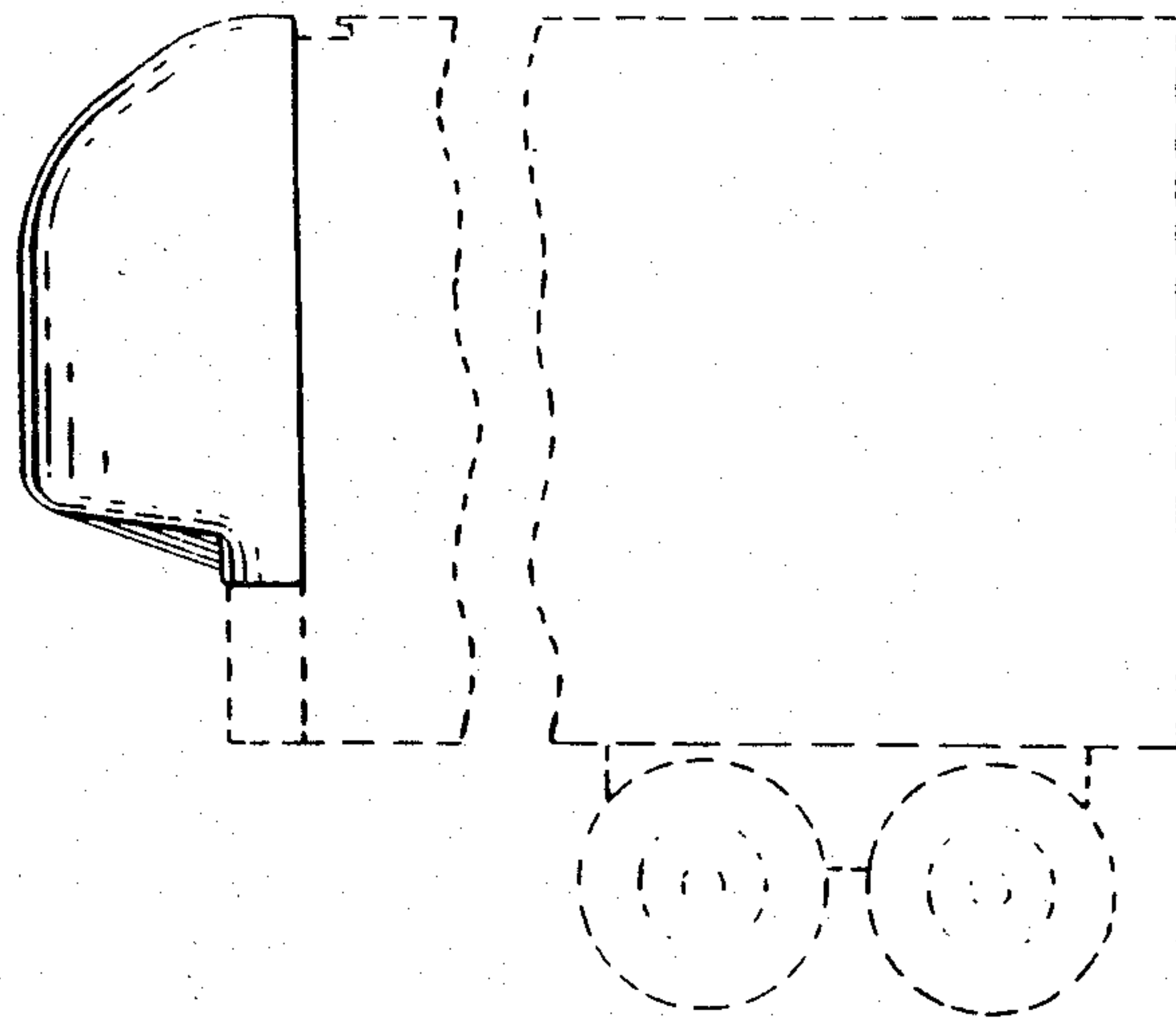


Fig. 2

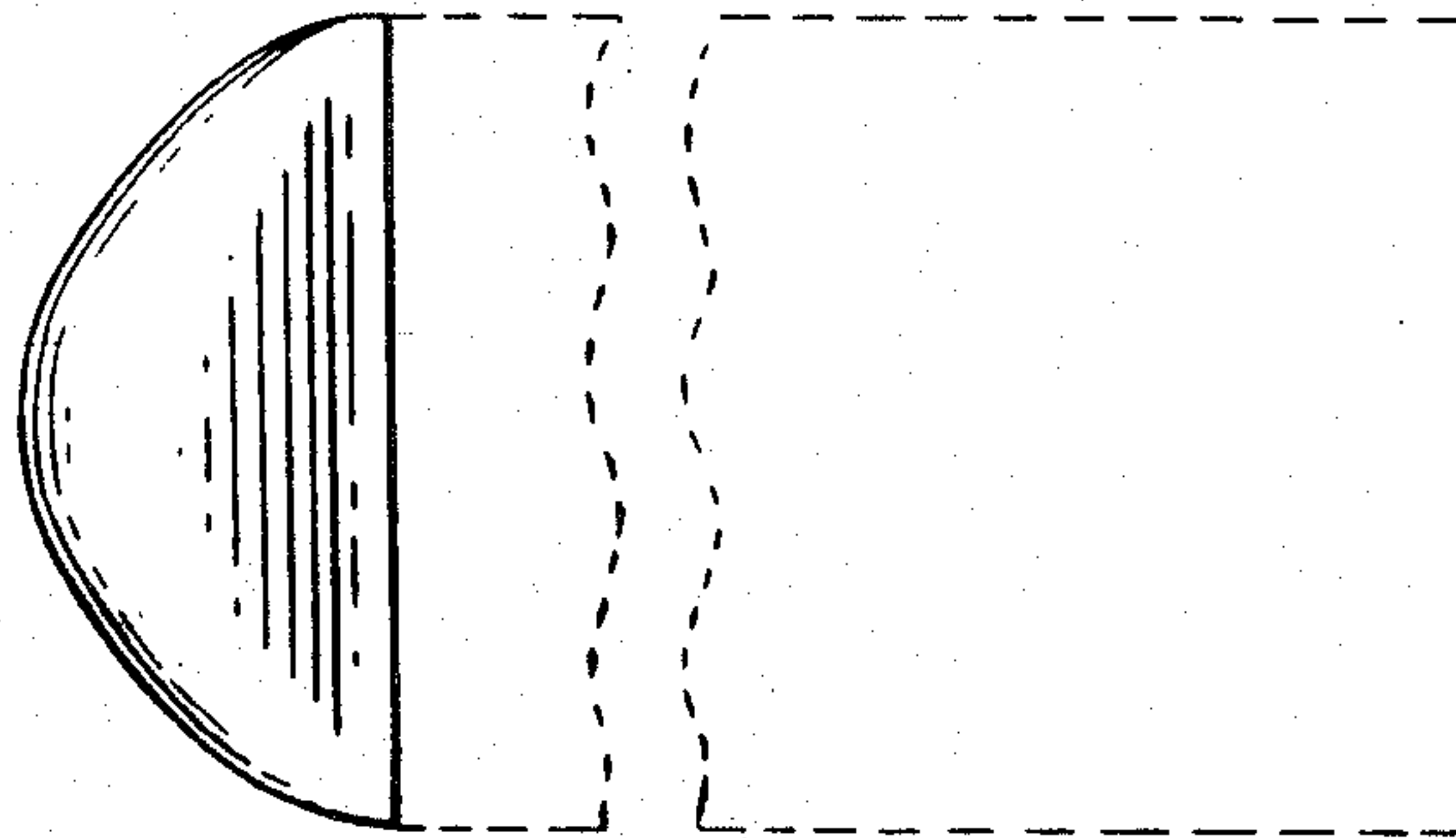


Fig. 3