

[54] **MERCURY VAPOR ANALYZER**

[75] **Inventor: Paul Nonnast, Jerome, Ariz.**

[73] **Assignee: Jerome Instrument Corporation,  
Jerome, Ariz.**

[\*\*] **Term: 14 Years**

[21] **Appl. No.: 394,875**

[22] **Filed: Jul. 2, 1982**

[52] **U.S. Cl. .... D10/81**

[58] **Field of Search ..... D10/46, 47, 56, 75,  
D10/78, 80, 81, 83, 102, 103; 73/23, 27 R**

[56] **References Cited**

**U.S. PATENT DOCUMENTS**

D. 162,750 4/1951 Polye ..... D10/47  
D. 175,591 9/1955 Darr ..... D10/78 X  
3,714,562 1/1973 McNerney ..... 73/27 X  
4,250,142 2/1981 Kollmai ..... 73/23 X

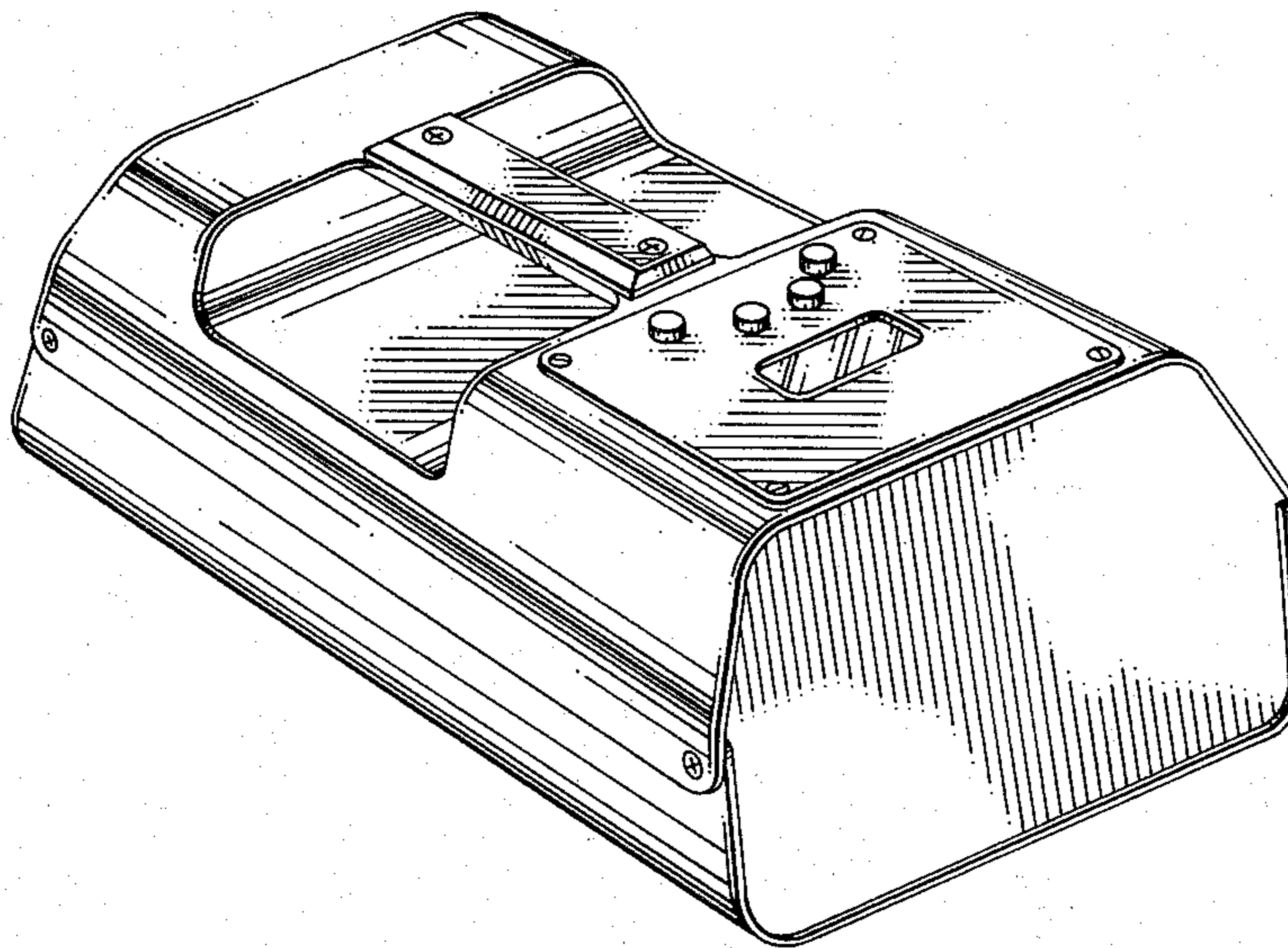
*Primary Examiner*—Nelson C. Holtje  
*Attorney, Agent, or Firm*—LaValle D. Ptak

[57] **CLAIM**

The ornamental design for a mercury vapor analyzer, as shown.

**DESCRIPTION**

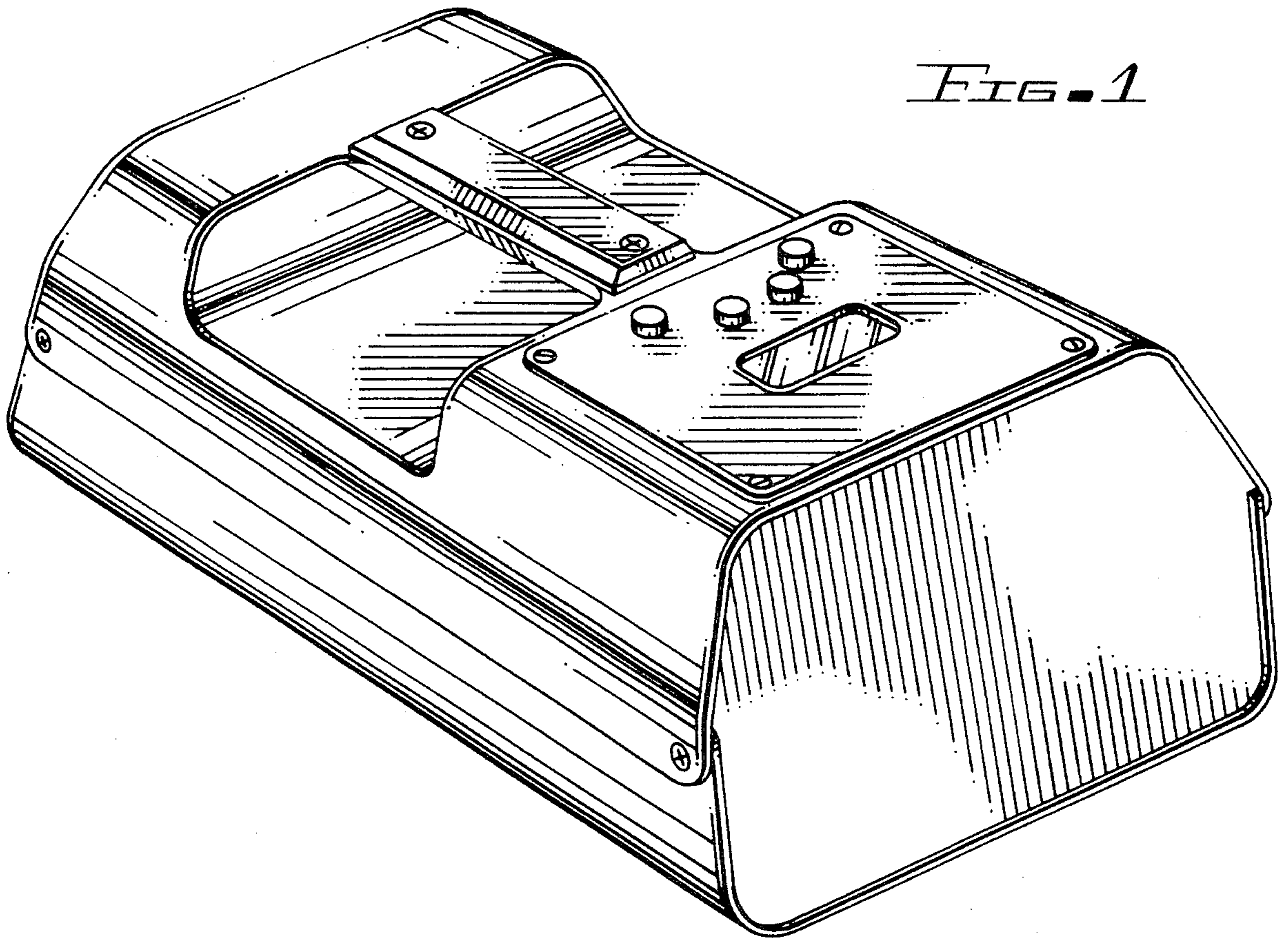
FIG. 1 is a top and left front perspective view of a mercury vapor analyzer showing my new design; FIG. 2 is a bottom and right rear perspective view thereof.



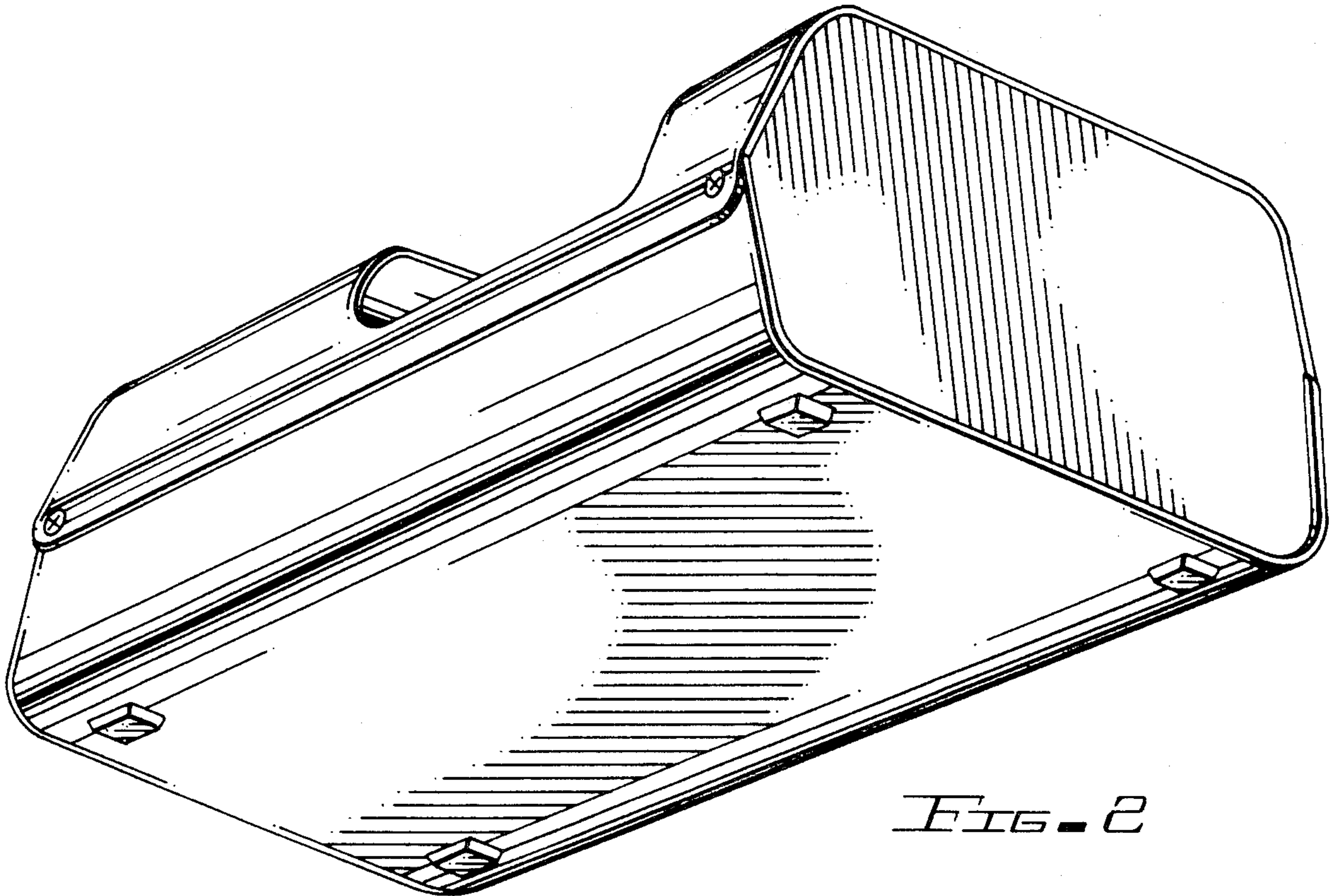
U.S. Patent

Mar. 5, 1985

Des. 277,835



*FIG. 1*



*FIG. 2*