

[54] **CAULKING SPOUT**

[76] **Inventor: Sven O. Olsson, 7019 Kerry Rd., Edina, Minn. 55435**

[**] **Term: 14 Years**

[21] **Appl. No.: 428,121**

[22] **Filed: Sep. 29, 1982**

[52] **U.S. Cl. D9/447**

[58] **Field of Search D9/447, 434, 499; 222/567, 325, 326, 327, 575, 569**

[56] **References Cited**

U.S. PATENT DOCUMENTS

D. 92,135	5/1934	Johnson .	
D. 202,452	9/1965	Seaquist	D58/26
D. 206,969	2/1967	Podall	D58/26
D. 225,733	1/1973	Louise	D9/07
D. 251,953	5/1979	Van Horne	D9/07
1,256,152	2/1918	Maika	222/575 X
2,953,285	9/1960	McKelvey	222/325 X
3,093,274	6/1963	Galbierz	222/325 X
3,096,002	7/1963	Focht	222/567 X

4,382,530 5/1983 Calisto 222/326 X

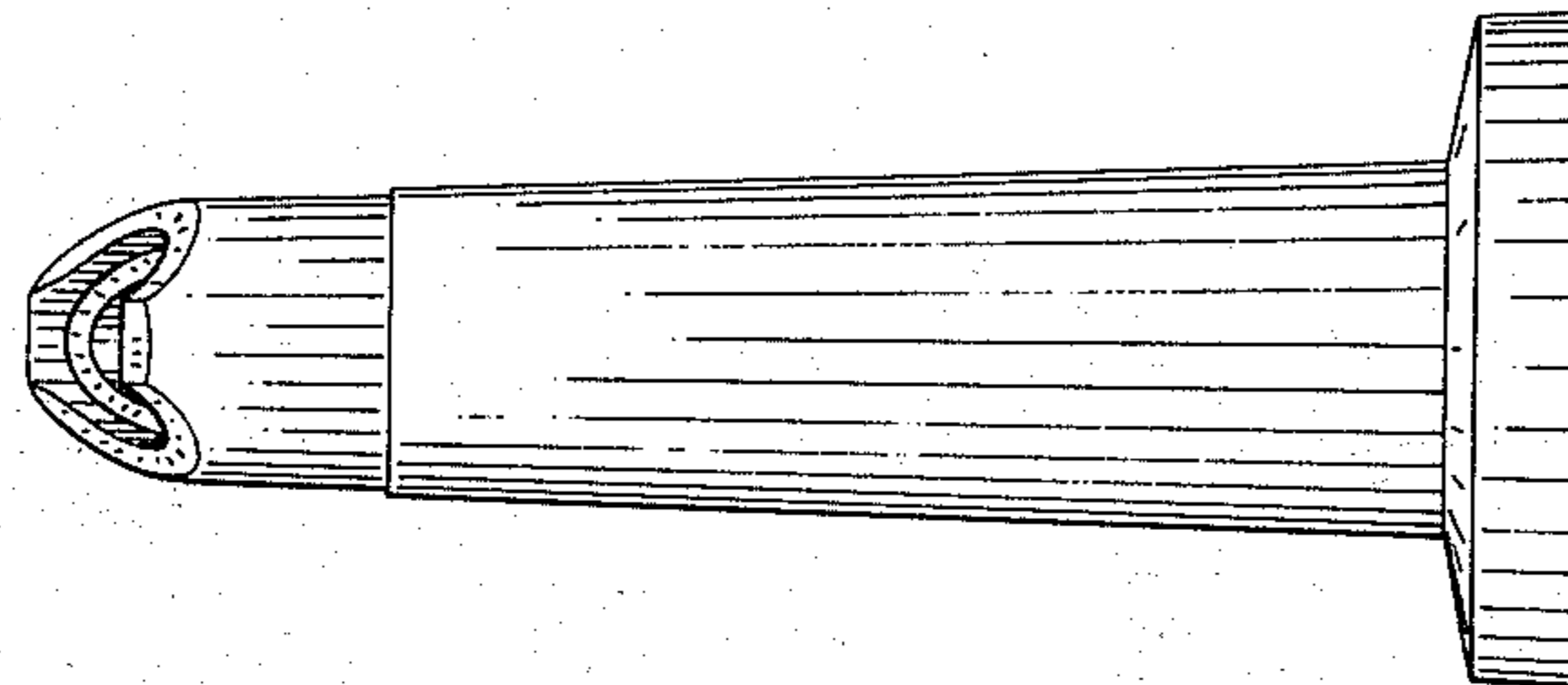
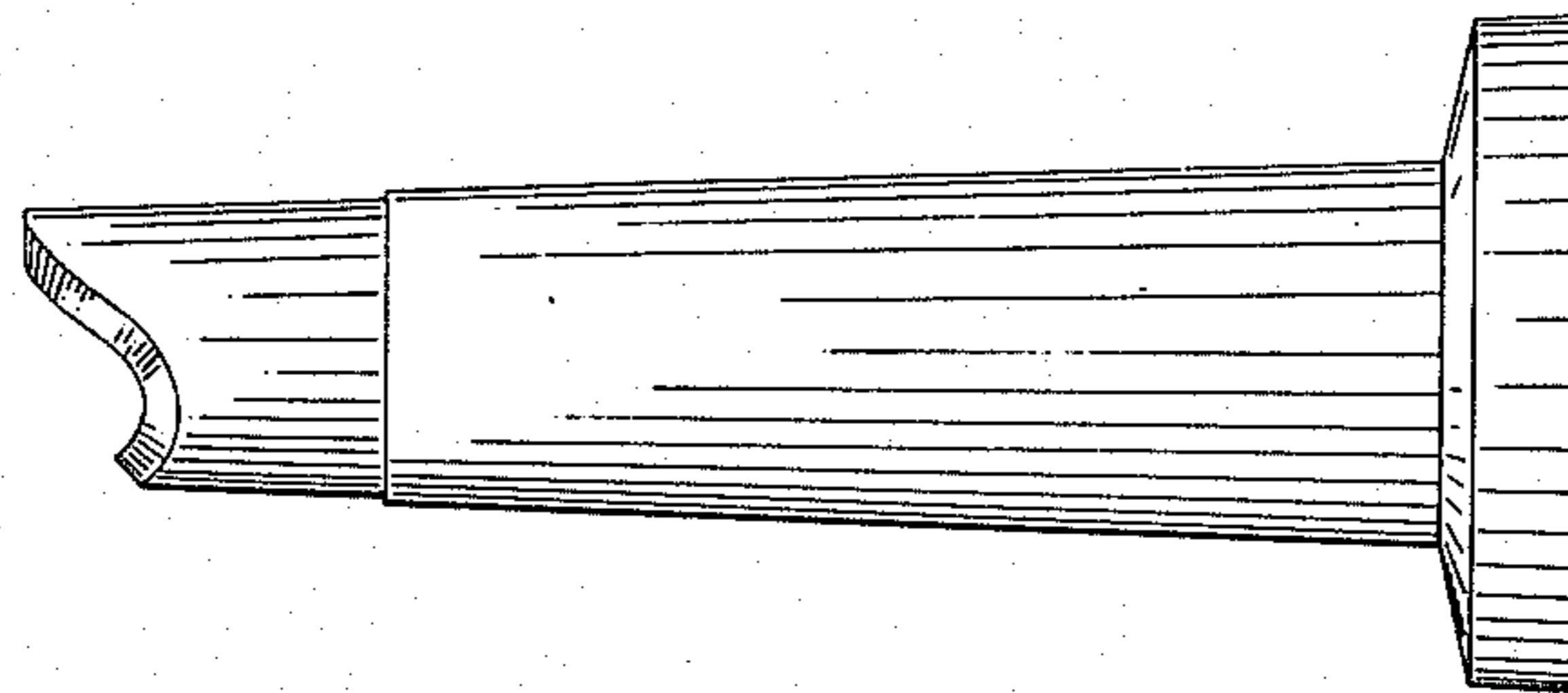
Primary Examiner—Bernard Ansher
Assistant Examiner—Linda M. Titolo
Attorney, Agent, or Firm—Burd, Bartz & Gutenkauf

[57] **CLAIM**

The ornamental design for caulking spout, as shown and described.

DESCRIPTION

FIG. 1 is a side elevational view of a caulking spout showing my new design, the opposite side of which is a mirror image thereof;
FIG. 2 is a front elevational view thereof;
FIG. 3 is a rear elevational view thereof;
FIG. 4 is a top plan view thereof;
FIG. 5 is a bottom plan view thereof;
FIG. 6 is a side elevational view of a second embodiment of a caulking spout showing my new design, the opposite side of which is a mirror image thereof;
FIG. 7 is a front elevational view thereof;
FIG. 8 is a rear elevational view thereof;
FIG. 9 is a top plan view thereof; and
FIG. 10 is a bottom plan view thereof.



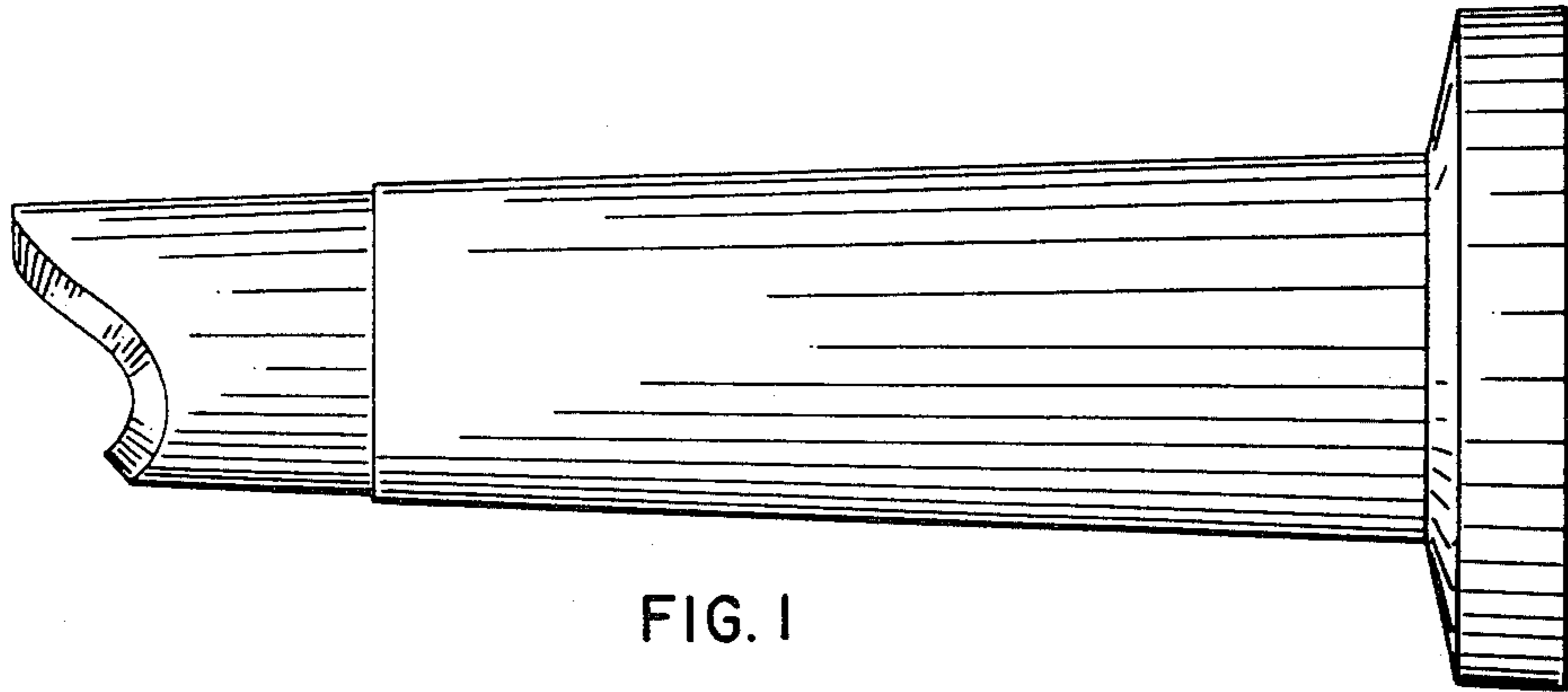


FIG. 1

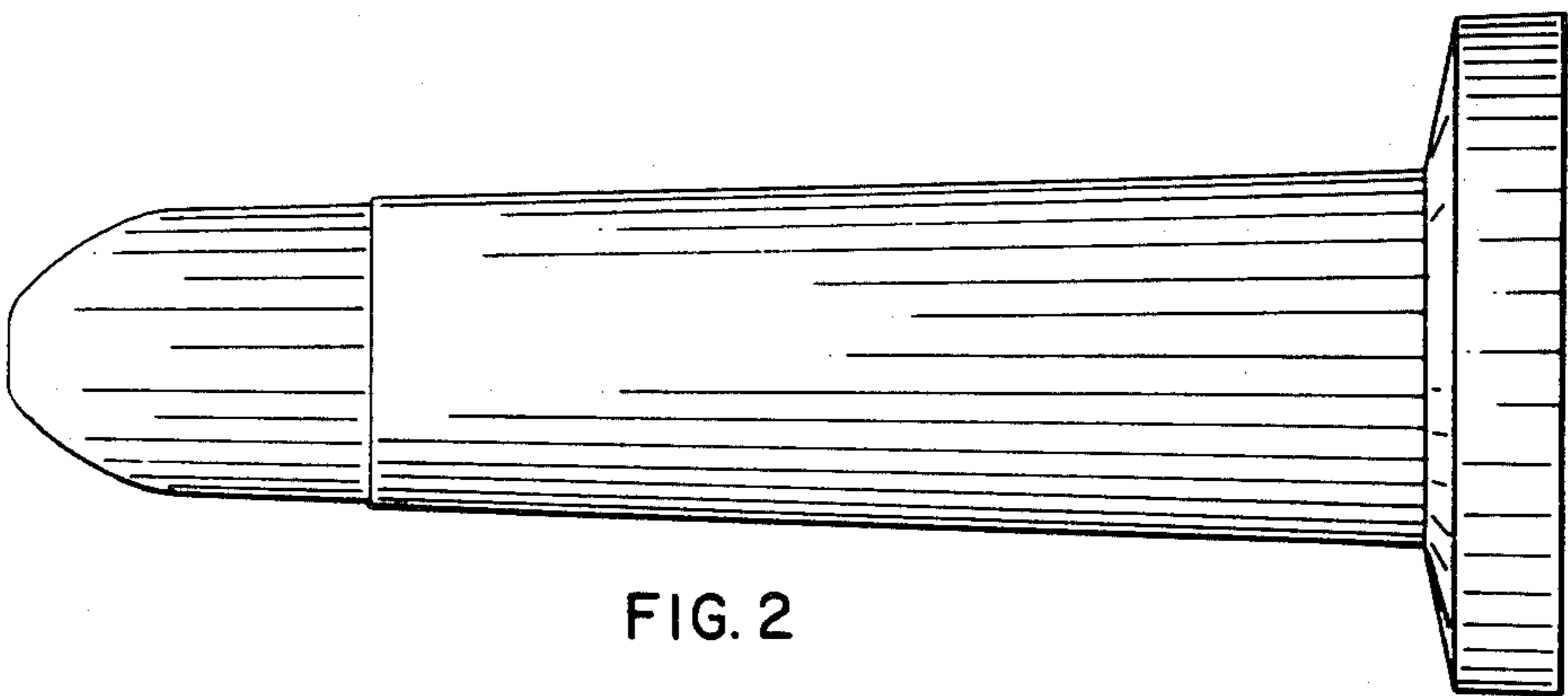


FIG. 2

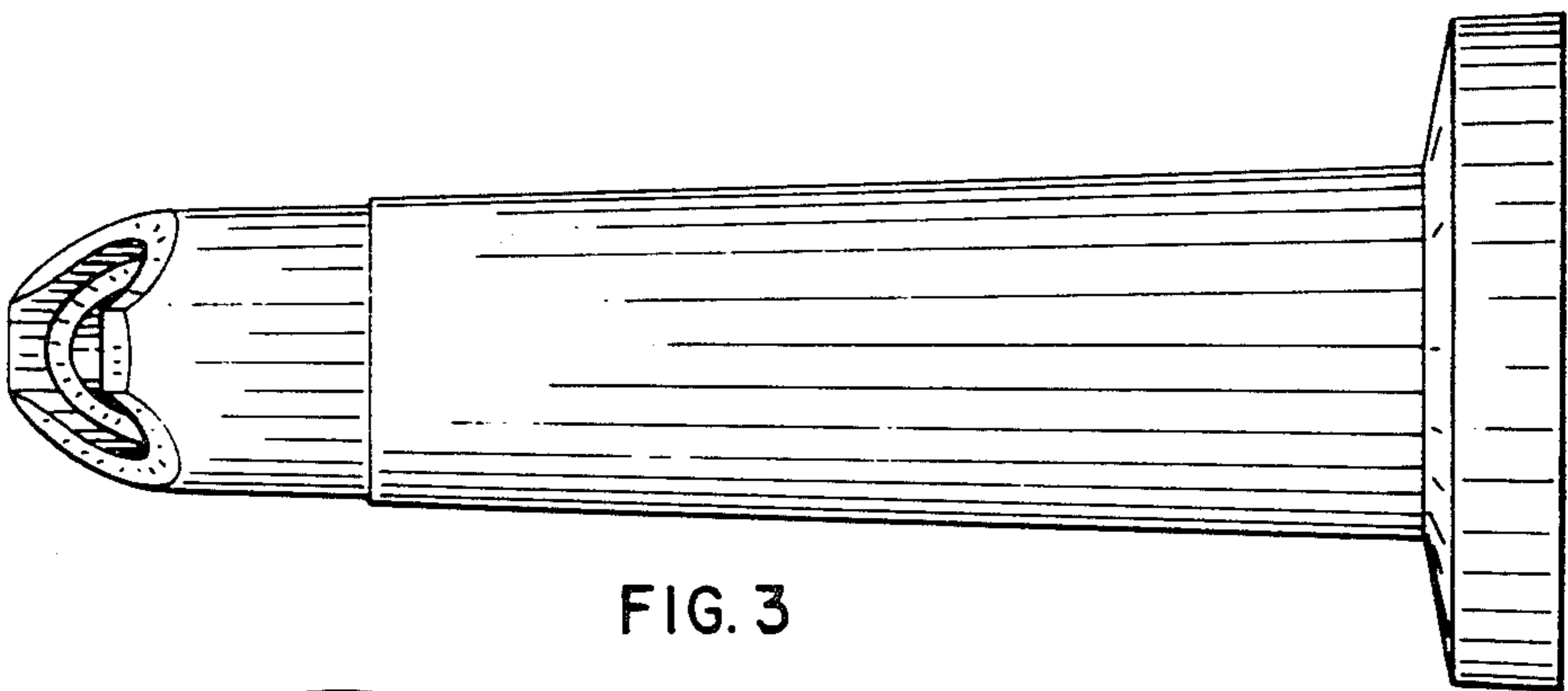


FIG. 3

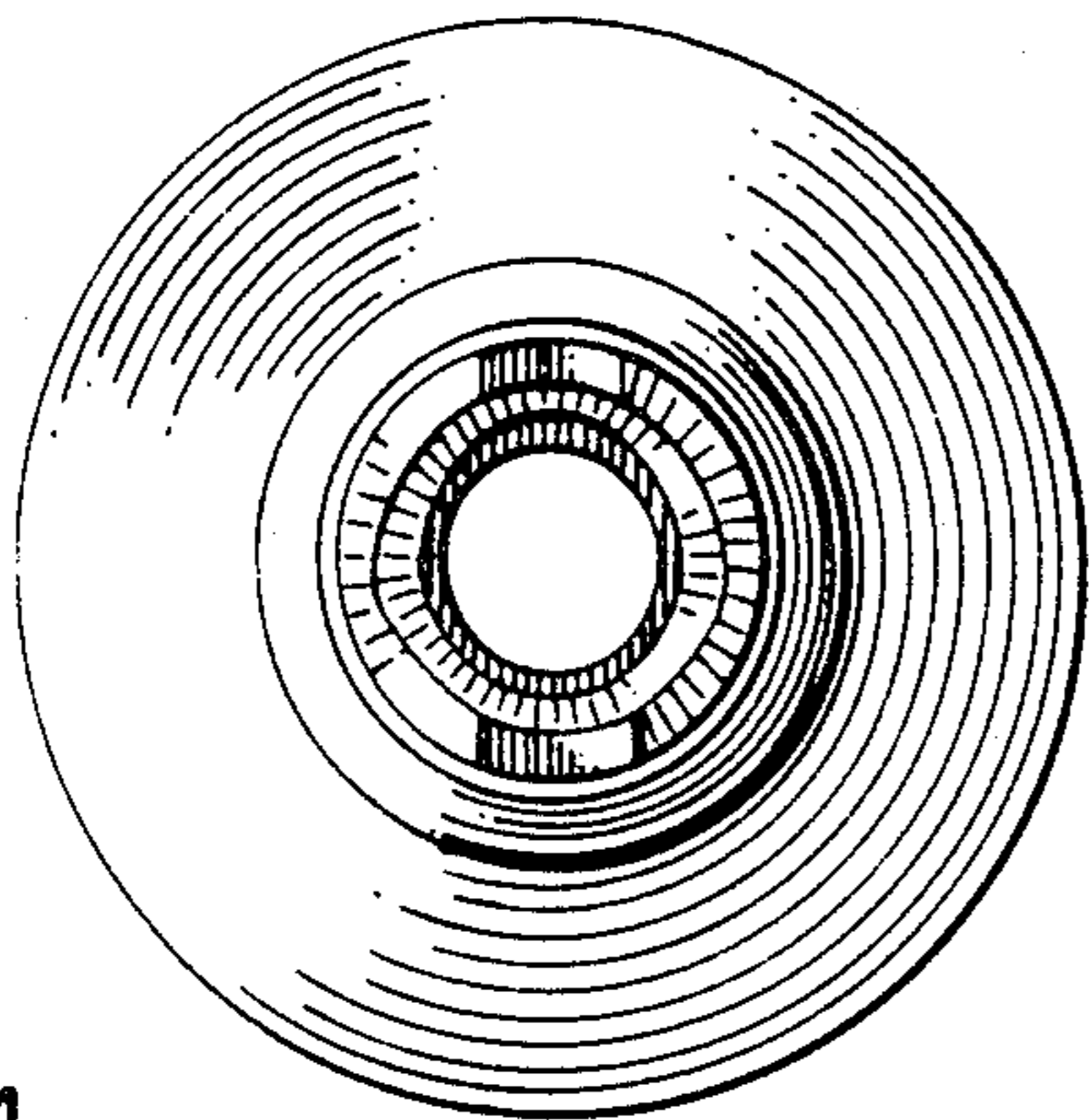


FIG. 4

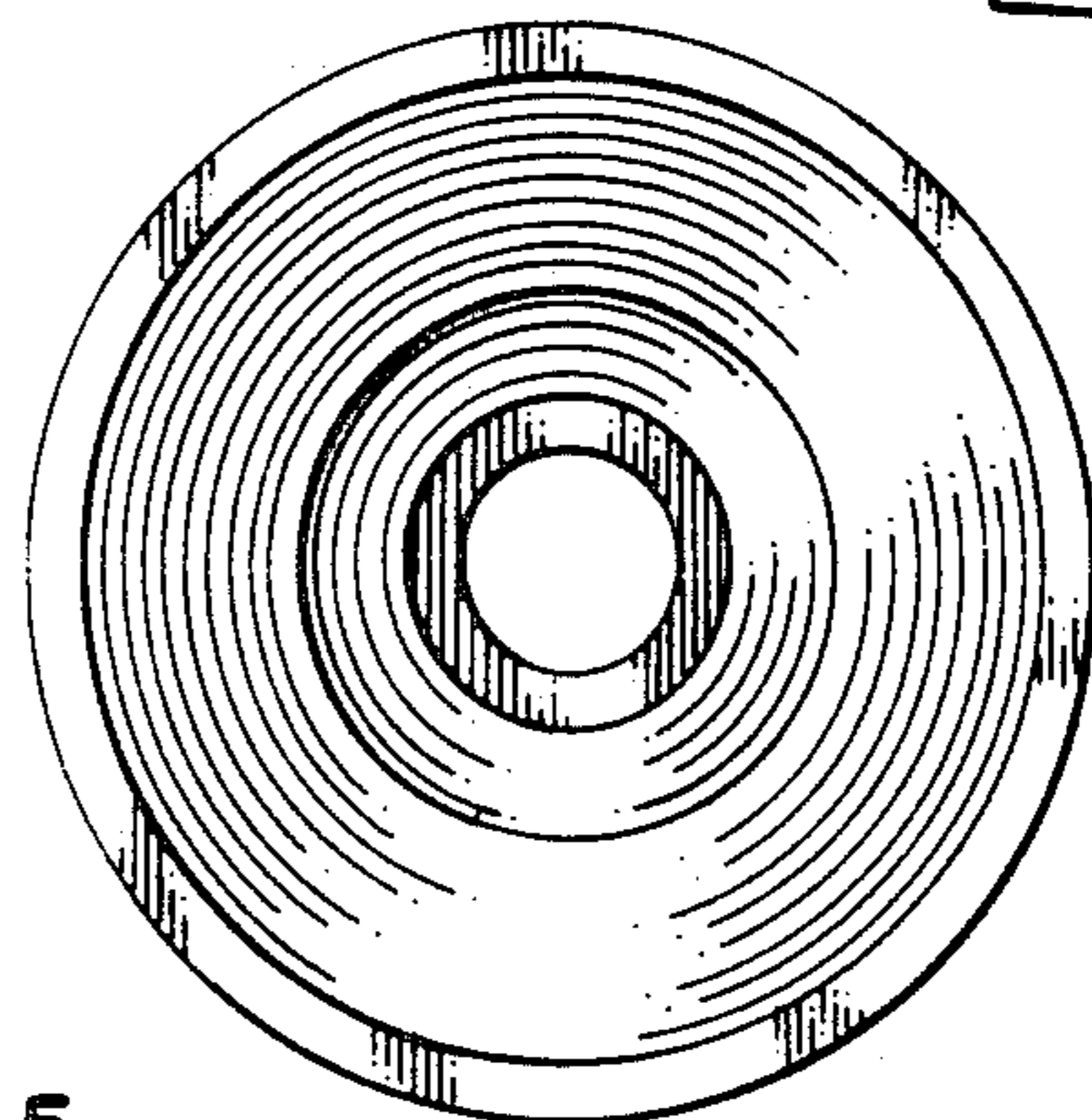


FIG. 5

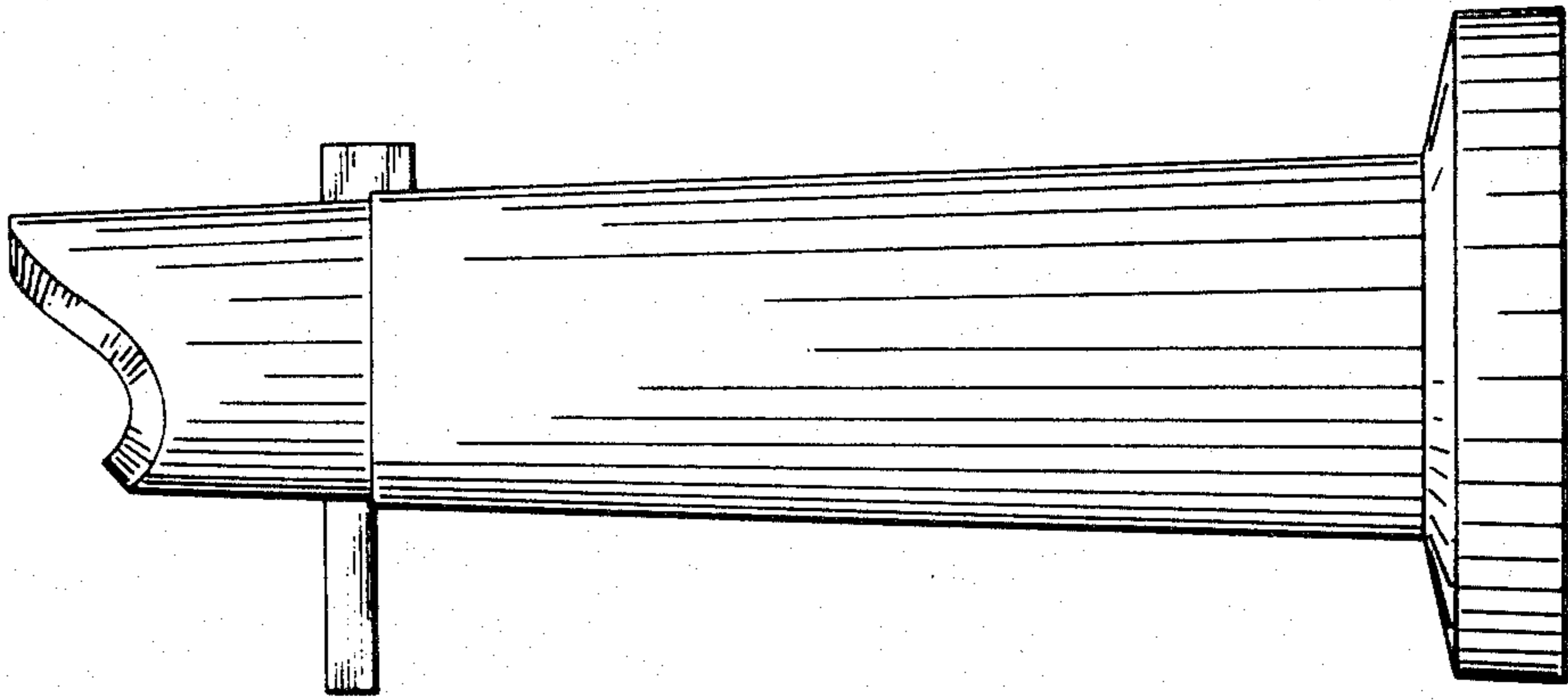


FIG. 6

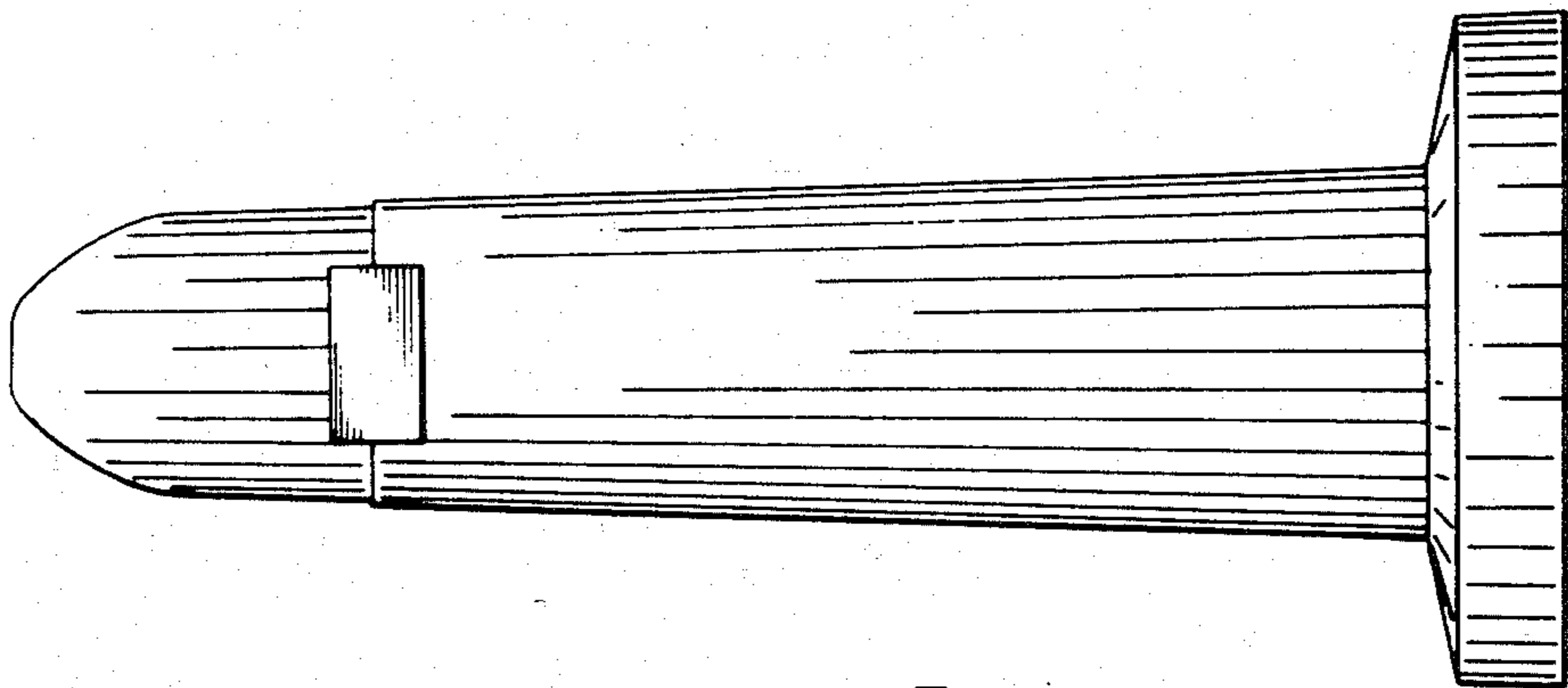


FIG. 7

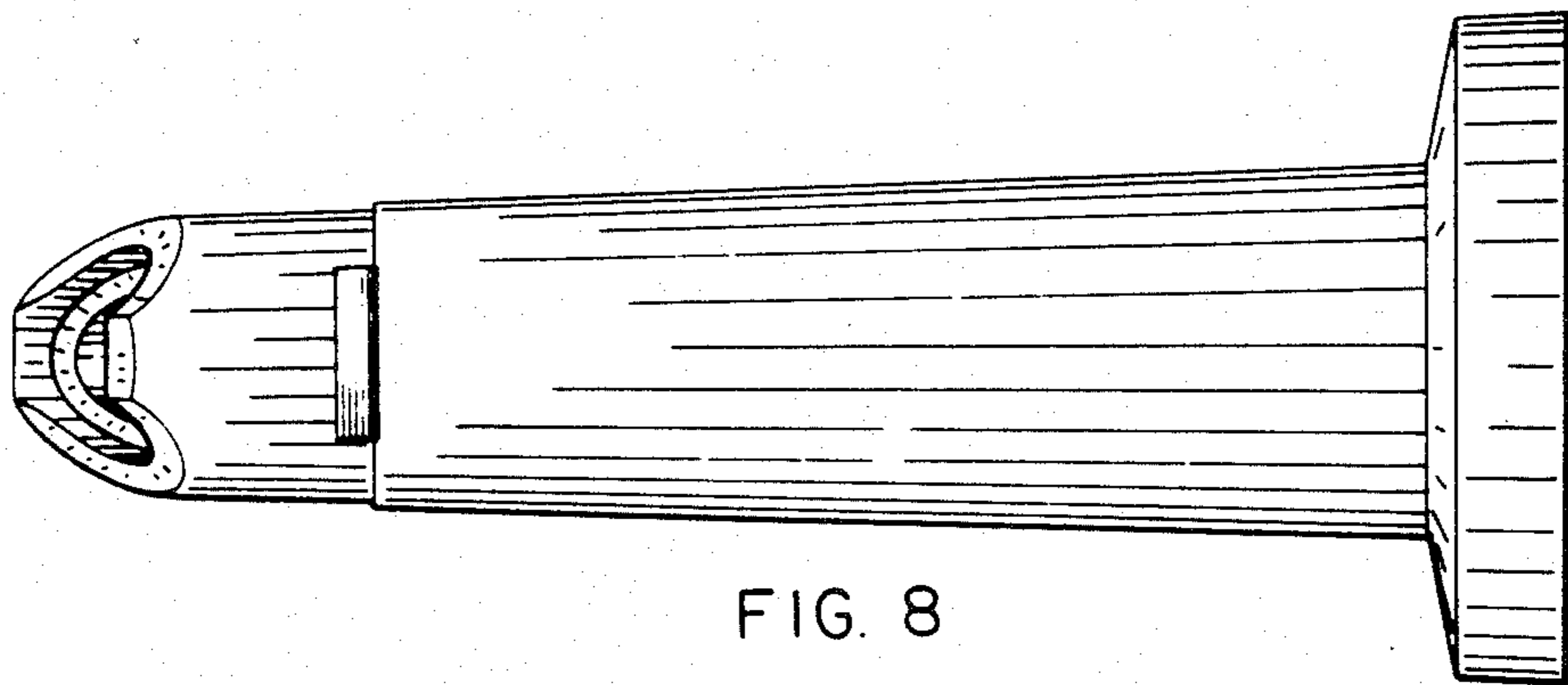


FIG. 8

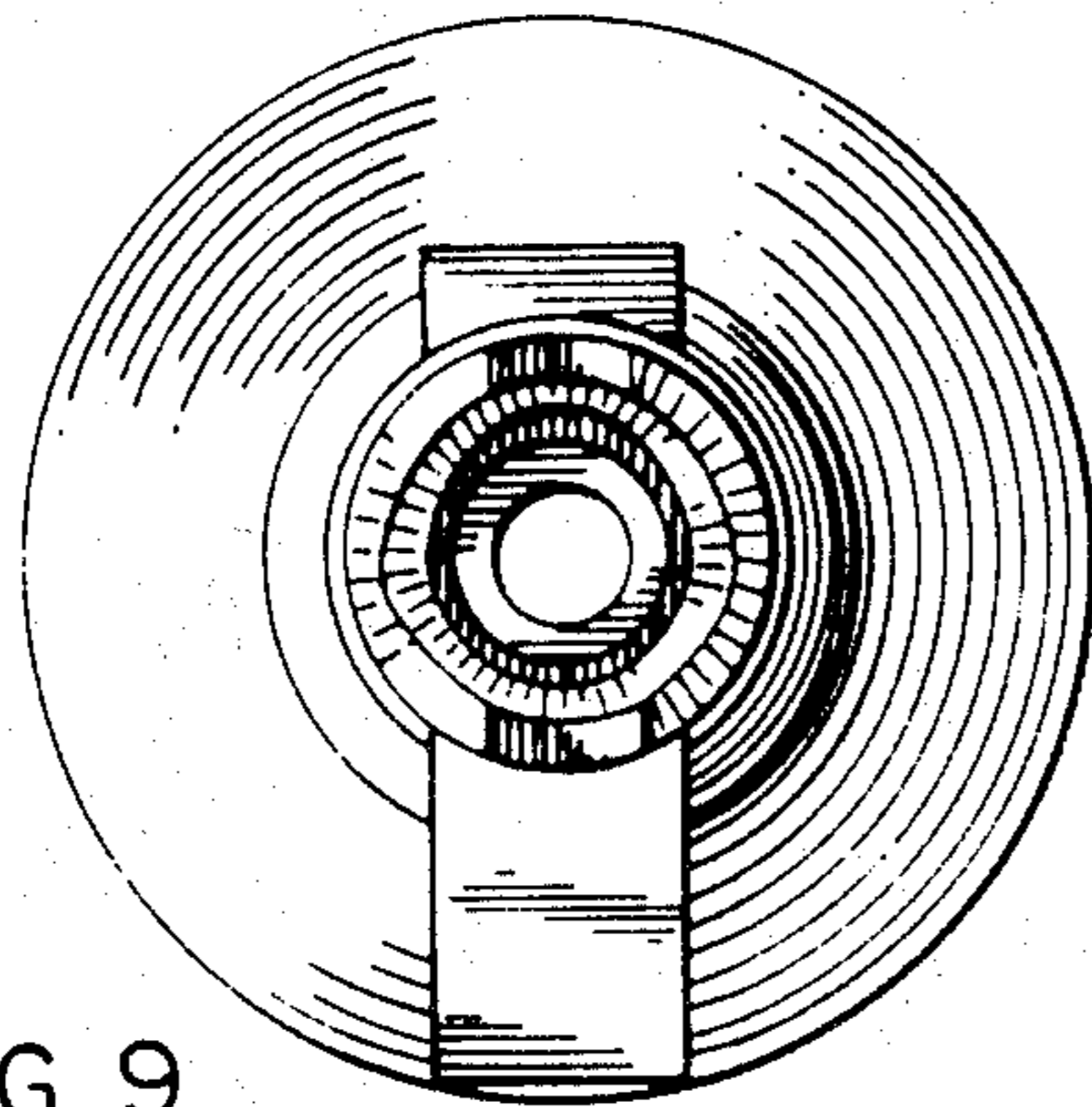


FIG. 9

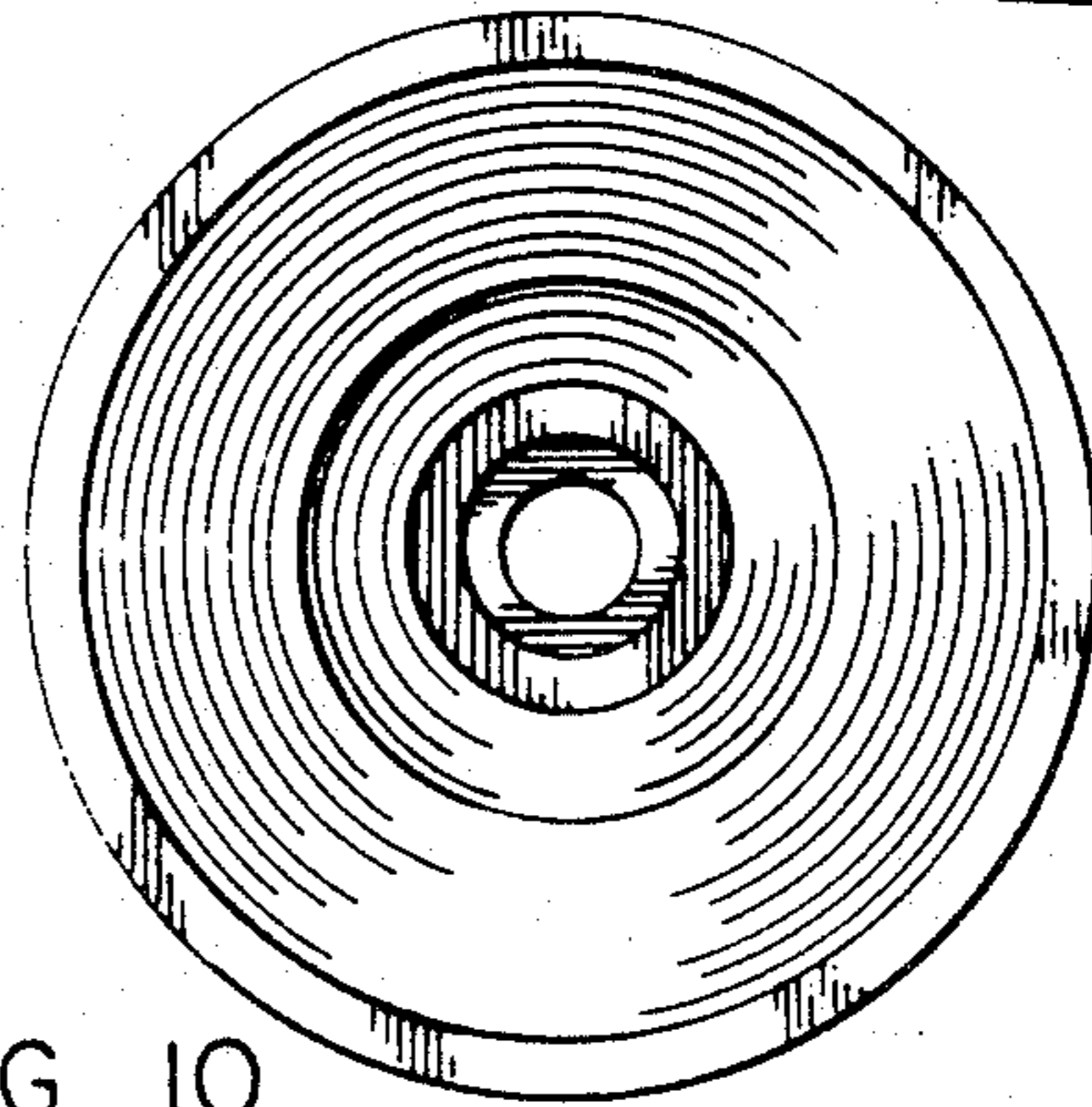


FIG. 10