

# United States Patent [19]

Brown, Sr

[11] Patent Number: **Des. 277,826**

[45] Date of Patent: **\*\* Mar. 5, 1985**

[54] CONTAINER CAP

[75] Inventor: **Marion F. Brown, Sr,**  
Winston-Salem, N.C.

[73] Assignee: **Consolidated Foods Corporation,**  
Winston-Salem, N.C.

[\*\*] Term: **14 Years**

[21] Appl. No.: **391,970**

[22] Filed: **Jun. 25, 1982**

[52] U.S. Cl. .... **D9/439; D9/454**

[58] Field of Search ..... **D9/435, 439, 454;**  
**229/43, 1.5 B, 1.5 R, 93; 220/200, 307, 308**

[56] **References Cited**

### U.S. PATENT DOCUMENTS

D. 222,905	2/1972	Kinney	.....	D9/439
D. 228,345	9/1973	Kleinman	.....	D9/439
D. 264,441	5/1982	Smith	.....	D9/454

D. 269,597	7/1983	Harries	.....	D9/454
2,746,669	5/1956	Moore	.....	229/43
4,202,462	5/1980	Imber	.....	D9/454 X
4,300,700	11/1981	Chang	.....	220/257

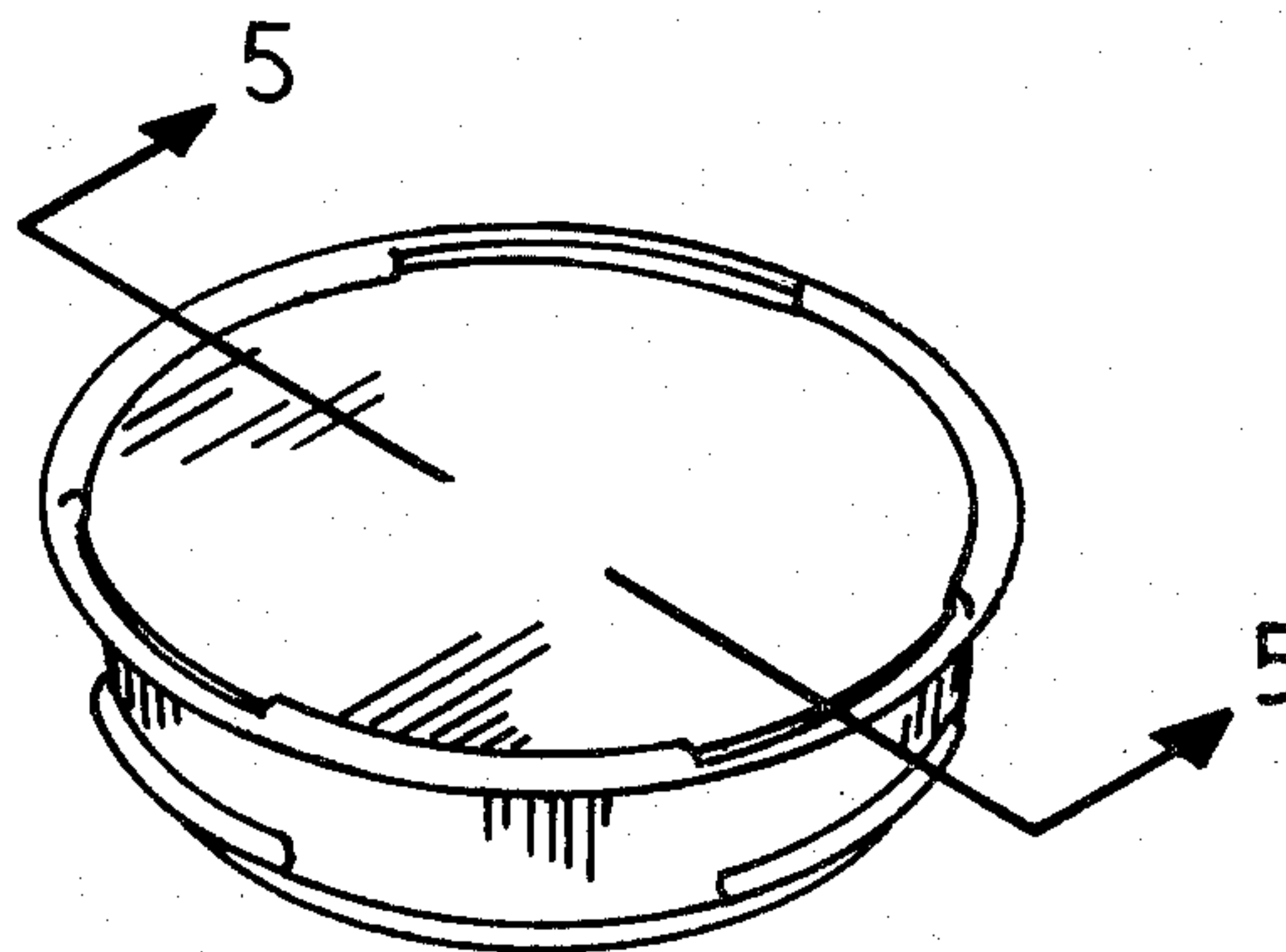
*Primary Examiner*—Robert C. Spangler  
*Attorney, Agent, or Firm*—Charles Y. Lackey; William S. Burden

### [57] CLAIM

The ornamental design for a container cap, as shown and described.

### DESCRIPTION

FIG. 1 is a top perspective view of a cap for a container showing my new design;  
FIG. 2 is a bottom perspective view thereof;  
FIG. 3 is a top plan view of the cap;  
FIG. 4 is a bottom plan view of the cap; and  
FIG. 5 is a cross-sectional view of the cap taken along line 5—5 of FIG. 1.



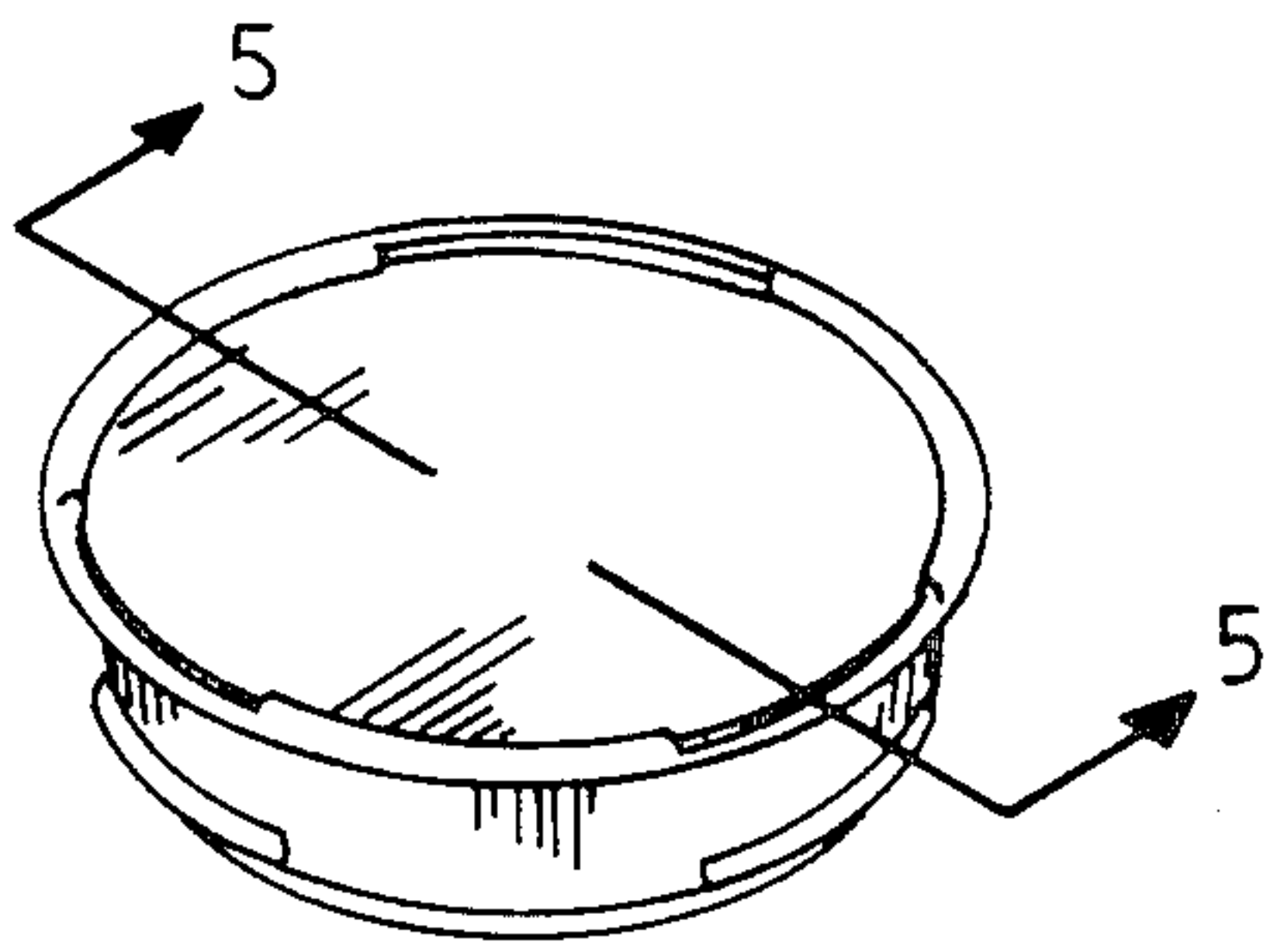


FIG. 1

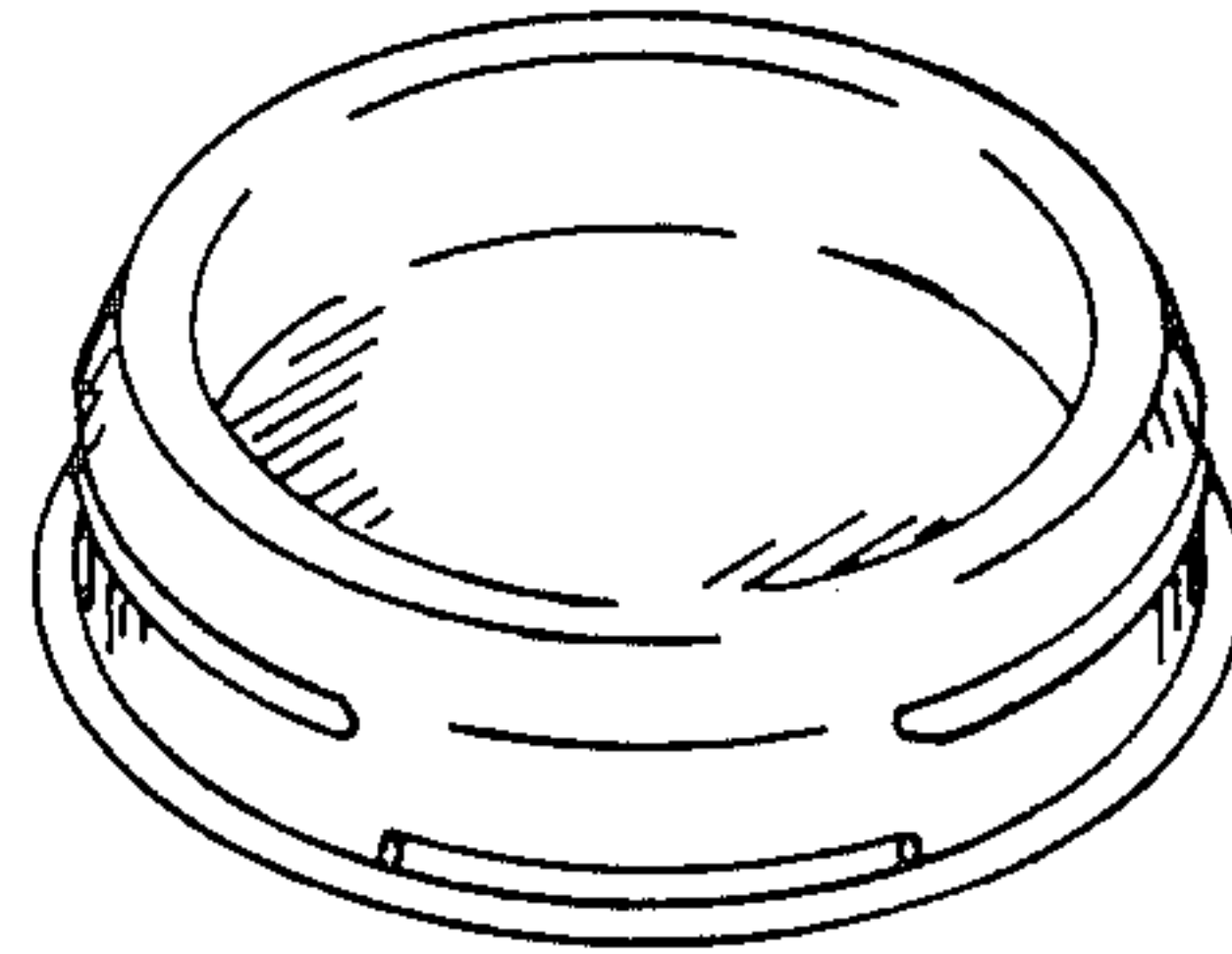


FIG. 2

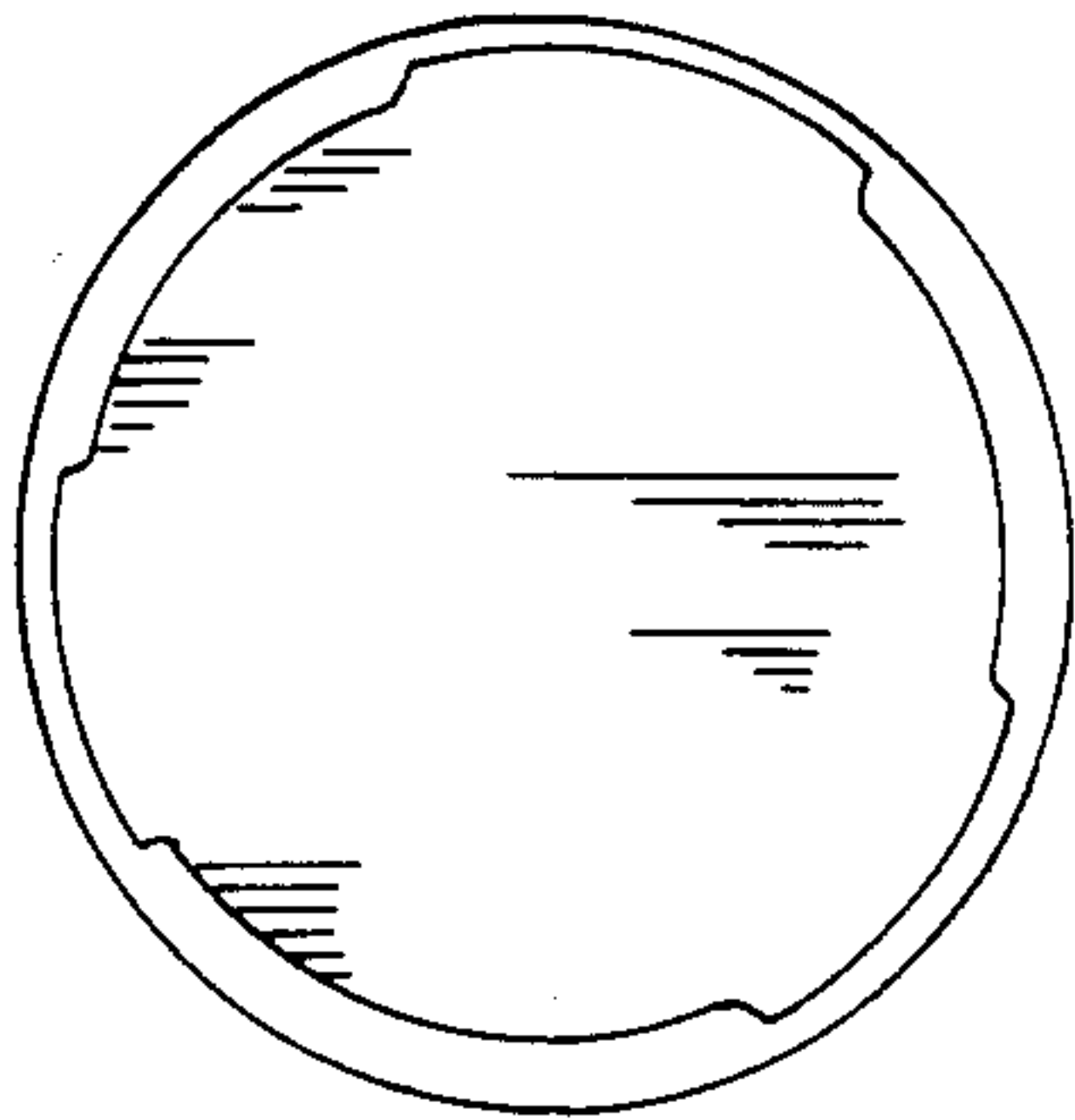


FIG. 3

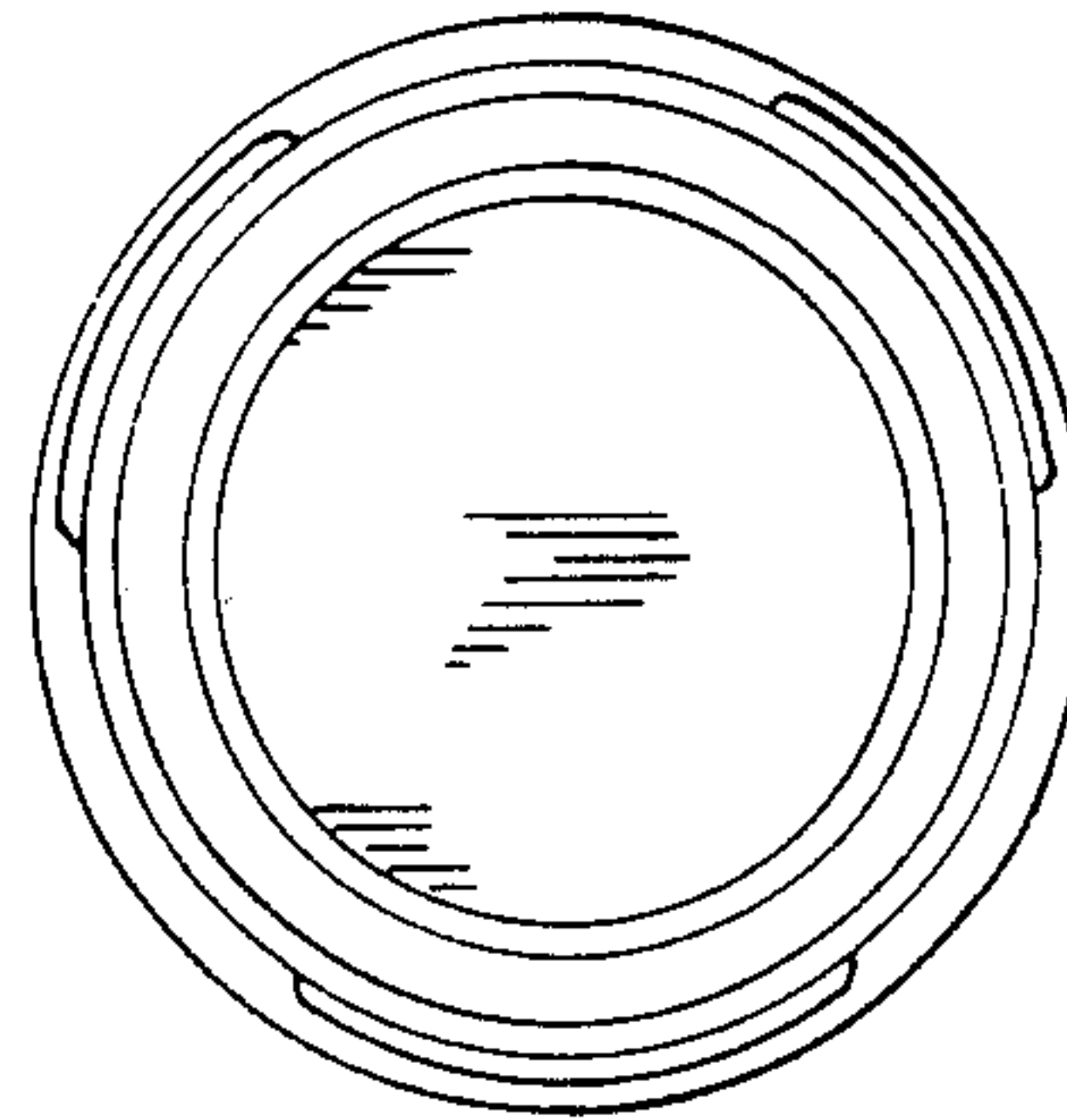


FIG. 4

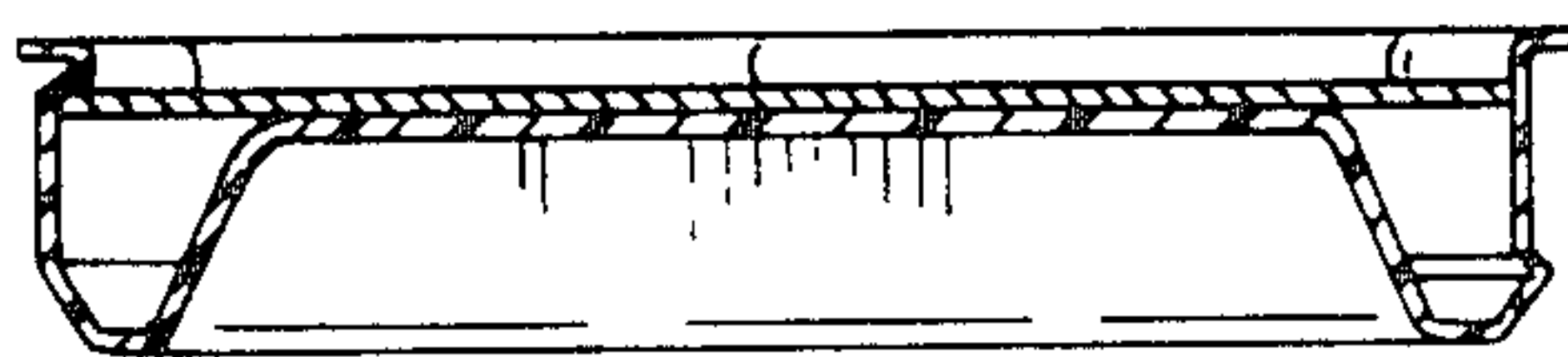


FIG. 5