

[54] **BAND SAW FOR MEAT**

[75] **Inventor: Lawrence A. Doggett, Dayton, Ohio**

[73] **Assignee: Hobart Corporation, Troy, Ohio**

[**] **Term: 14 Years**

[21] **Appl. No.: 370,709**

[22] **Filed: Apr. 22, 1982**

[52] **U.S. Cl. D7/385; D15/134**

[58] **Field of Search D15/134, 133; D8/64;
 D7/368, 381, 383, 385, 386, 412; 83/167, 168,
 816, 788**

[56] **References Cited**

U.S. PATENT DOCUMENTS

D. 59,315	10/1921	Woods et al.	D7/385
D. 135,668	5/1943	Corey et al.	D7/368
D. 149,203	4/1948	Meeker et al.	D7/385
D. 156,572	12/1949	Spang	D7/385
4,312,253	1/1982	Johnson et al.	83/167

4,321,849	3/1982	Athey et al.	83/788 X
4,327,621	5/1982	Voorhees et al.	D15/134 X

Primary Examiner—Winifred E. Herrmann
Attorney, Agent, or Firm—Biebel, French & Nauman

[57] **CLAIM**

The ornamental design for a band saw for meat, as shown and described.

DESCRIPTION

FIG. 1 is a three-quarter perspective view of a band saw for meat showing my new design;
 FIG. 2 is a front elevational view thereof;
 FIG. 3 is a side elevational view thereof;
 FIG. 4 is a side elevational view of the side opposite that shown in FIG. 3;
 FIG. 5 is a rear elevational view of the band saw of FIG. 1;
 FIG. 6 is a top plan view thereof; and
 FIG. 7 is a three-quarter perspective view of a band saw for meat showing a modification of my new design in which the lower frame is enclosed on all four sides.

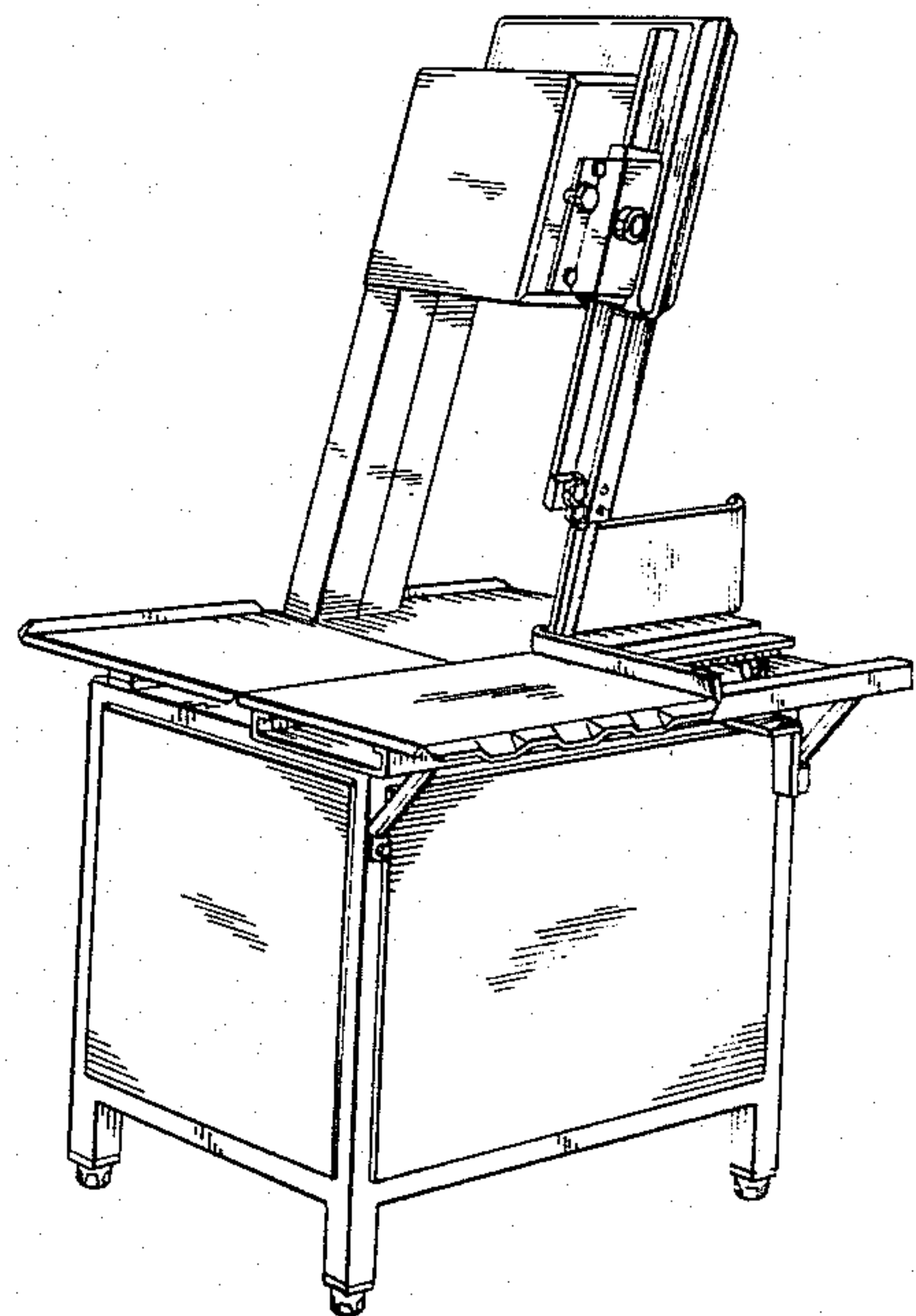
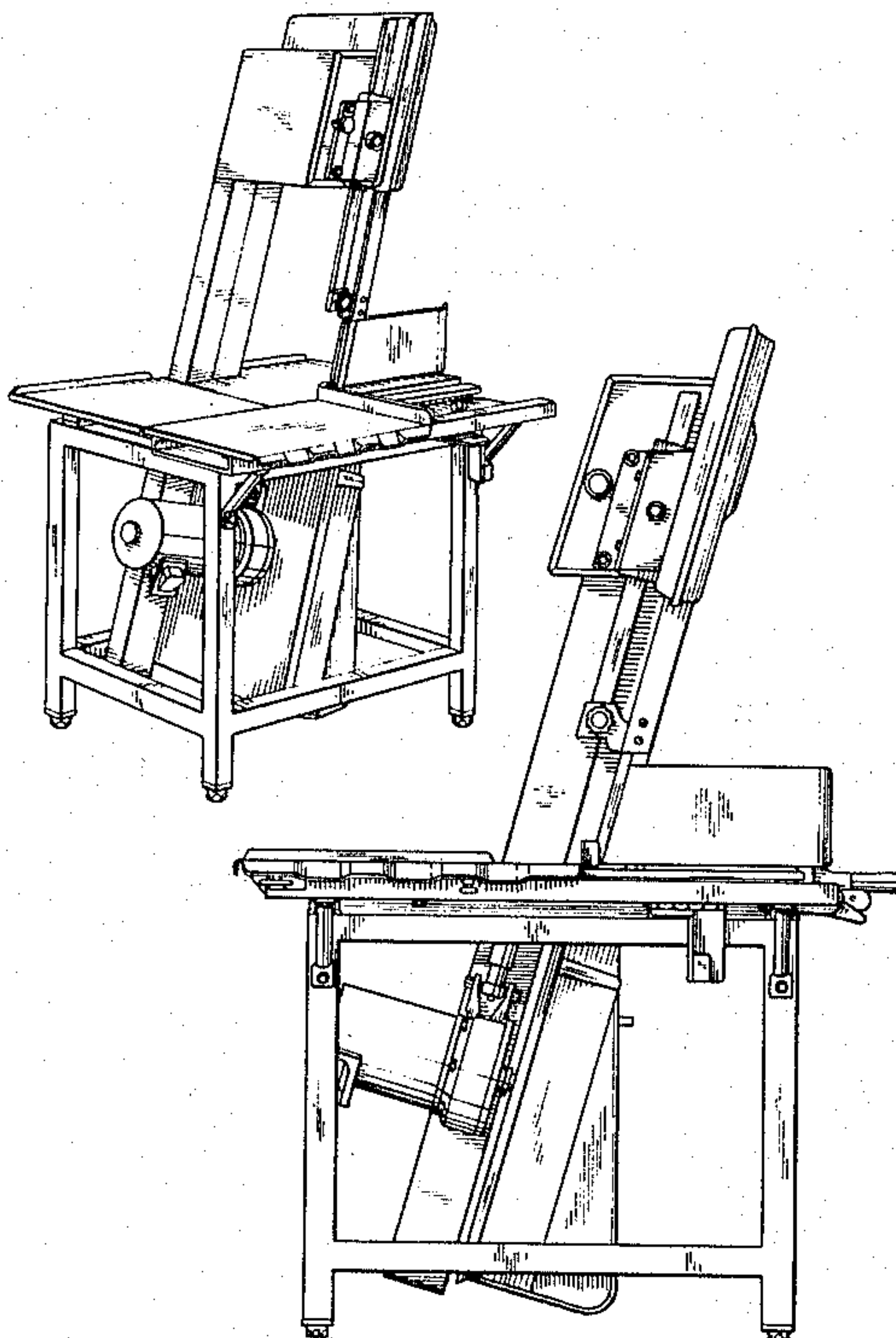


FIG-1

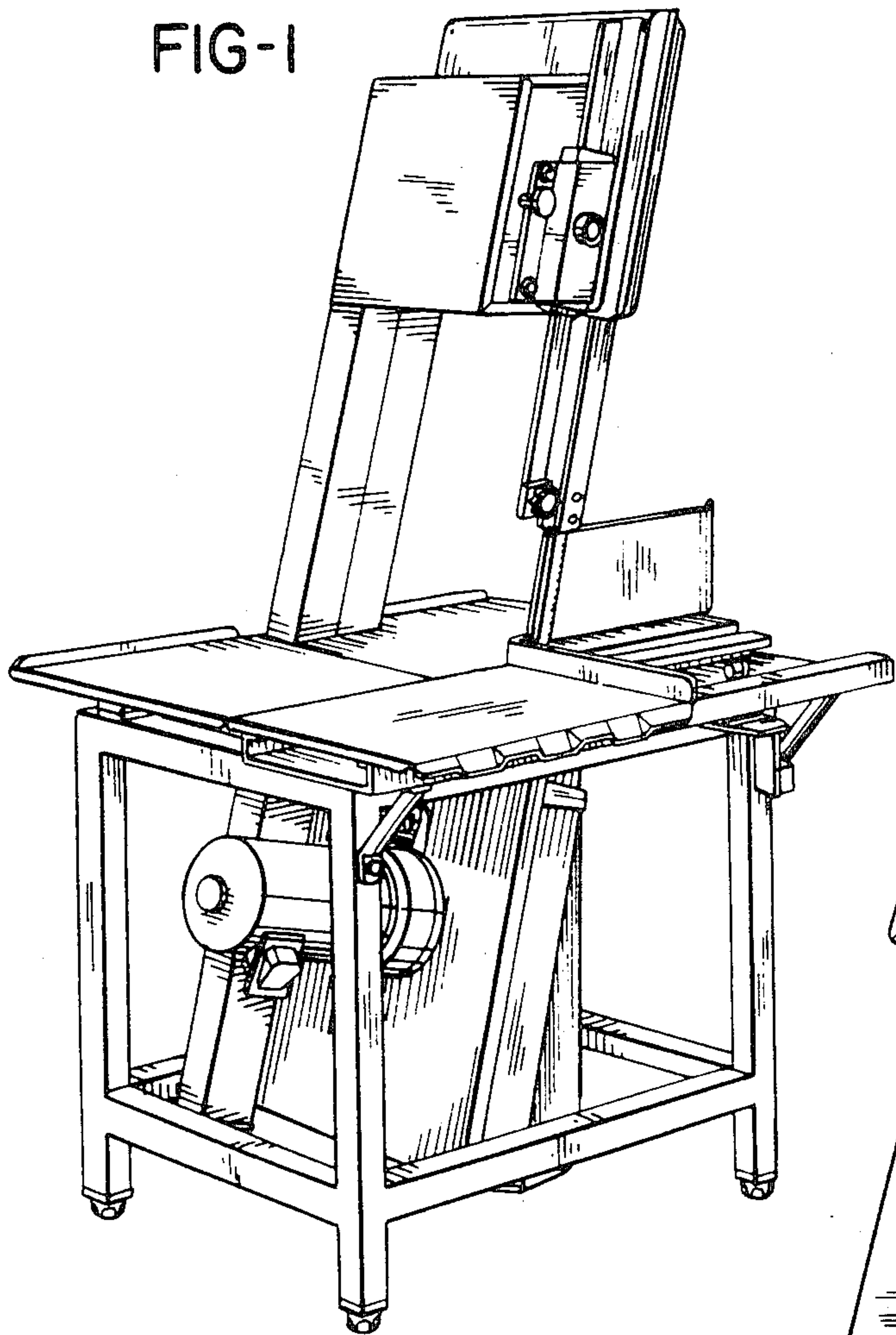


FIG-2

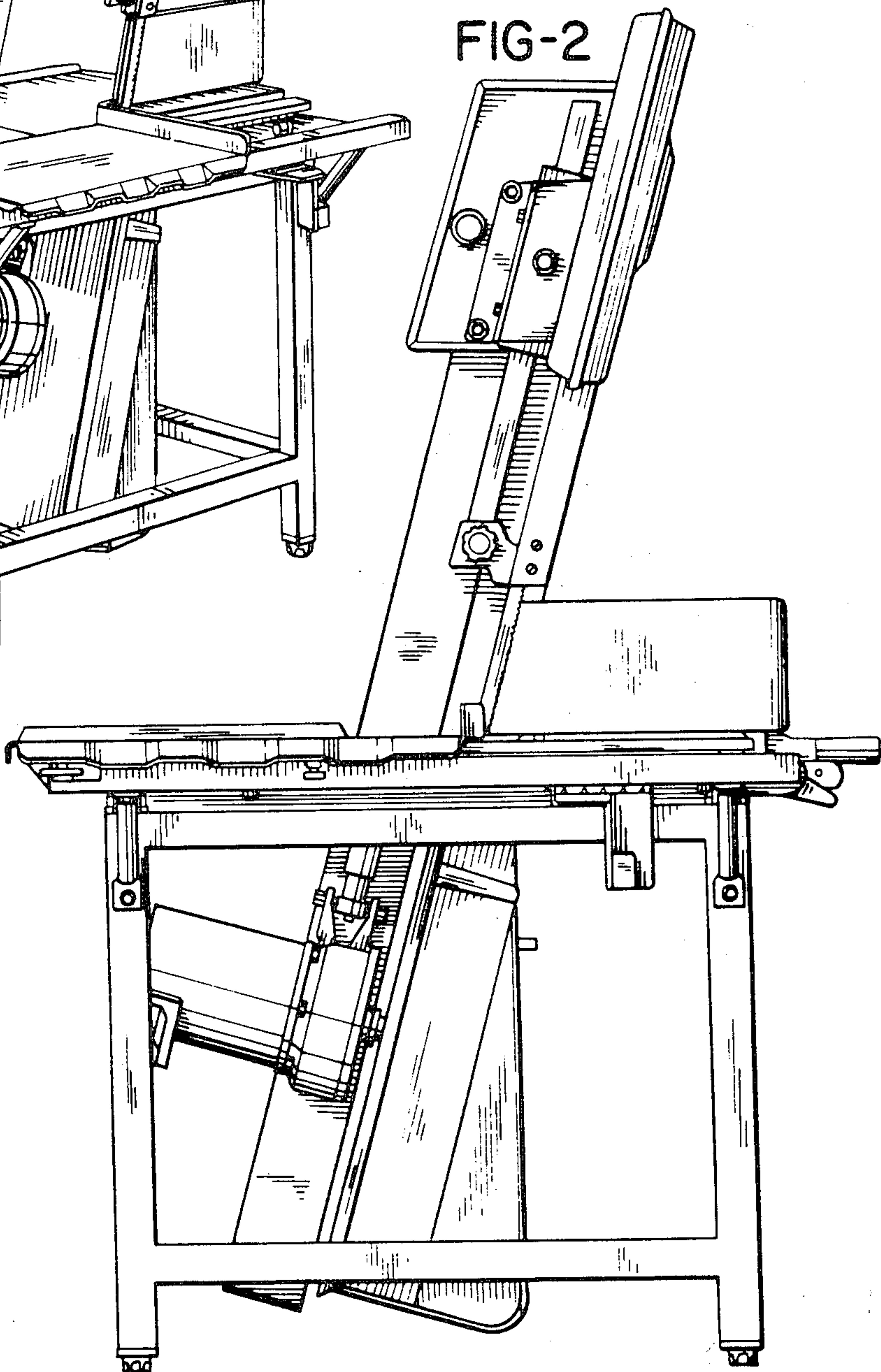


FIG-3

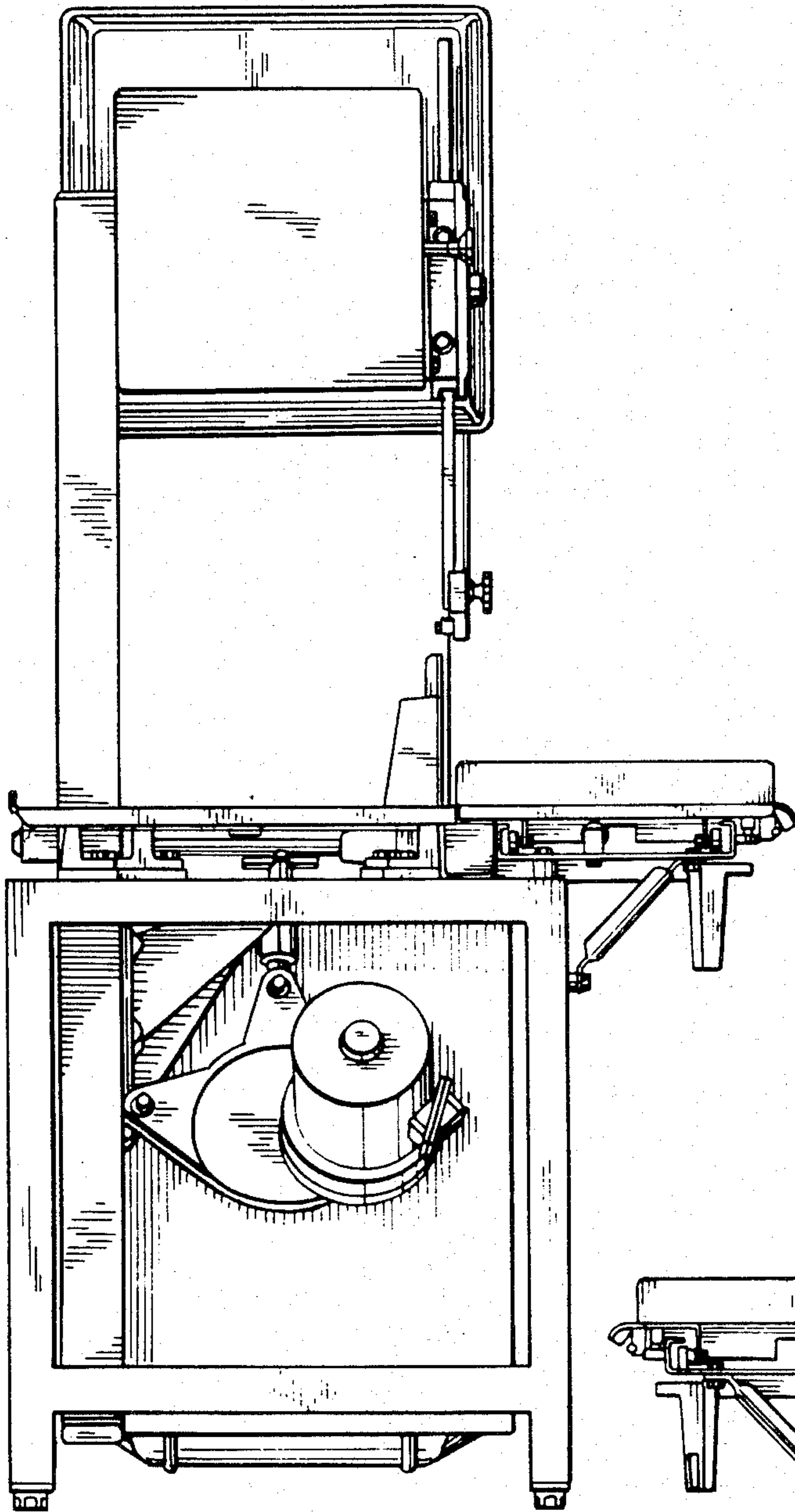
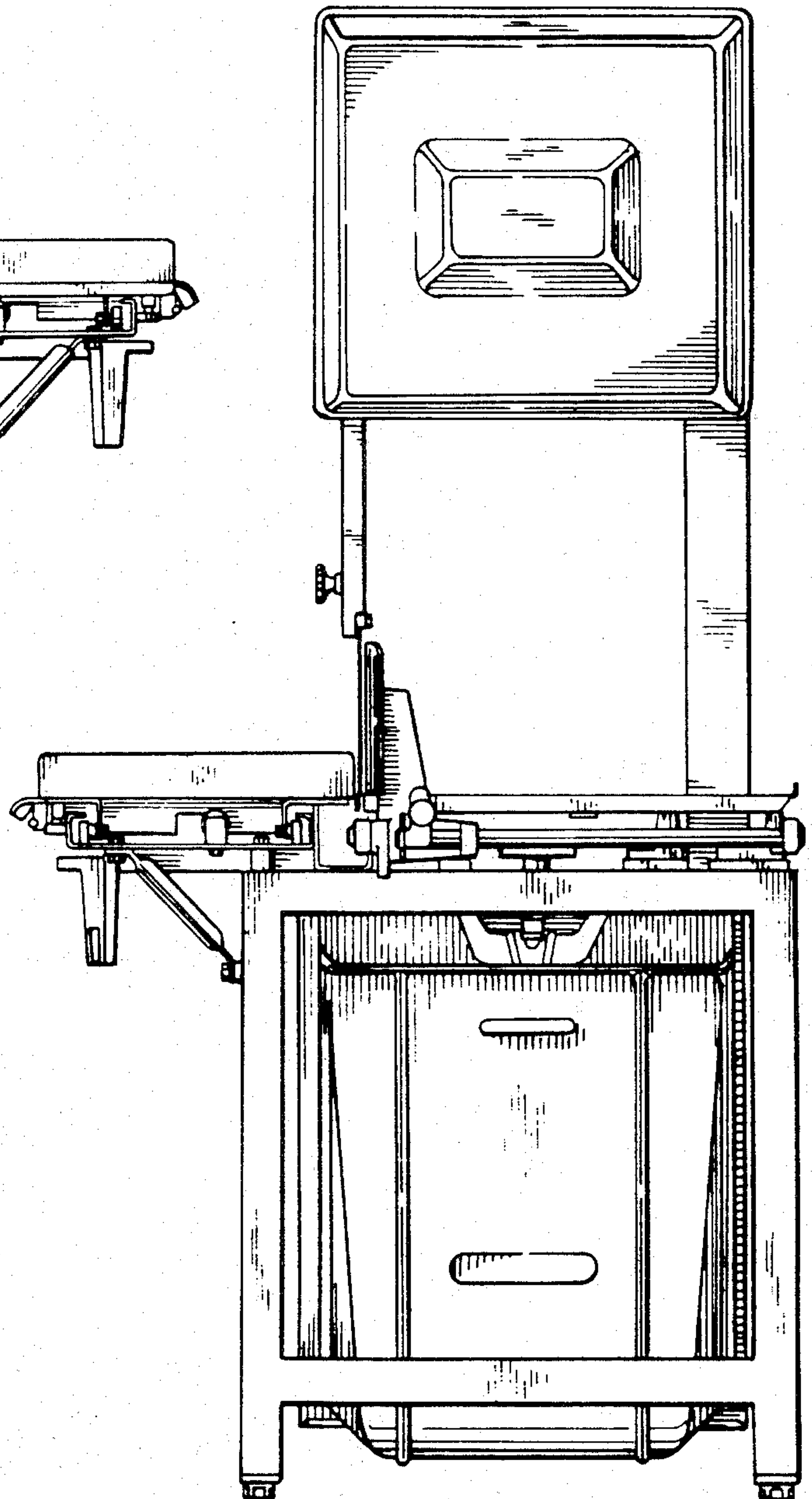


FIG-4



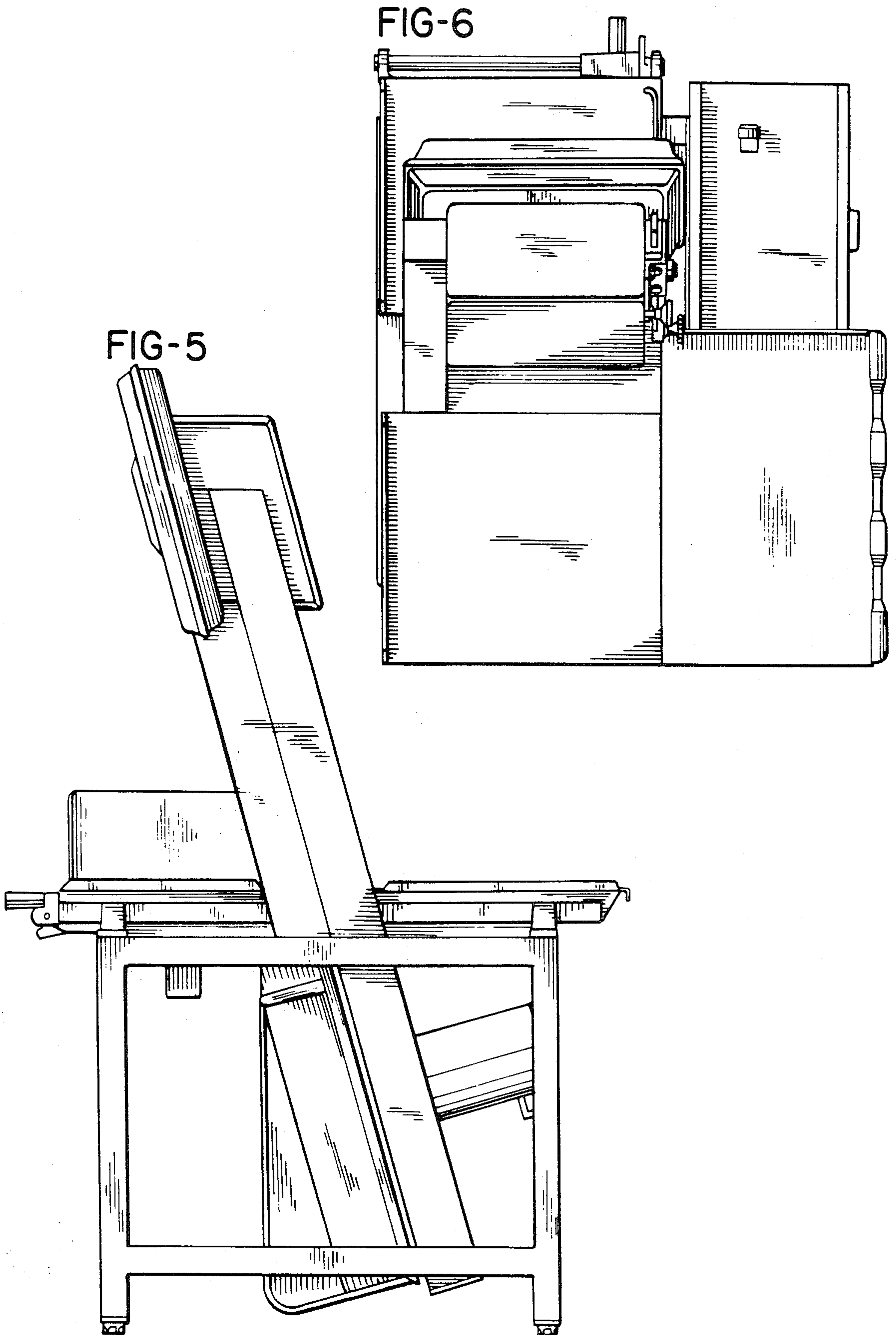


FIG-7

