

United States Patent [19]

Nestrock

[11] Patent Number: **Des. 277,821**

[45] Date of Patent: **** Mar. 5, 1985**

[54] **VACUUM BOTTLE WITH CLOSURE CUP**
 [75] Inventor: **Frederick L. Nestrock, Avon, Conn.**
 [73] Assignee: **Union Manufacturing Company, Meriden, Conn.**
 [**] Term: **14 Years**
 [21] Appl. No.: **406,062**
 [22] Filed: **Aug. 6, 1982**
 [52] U.S. Cl. **D7/77**
 [58] Field of Search **D7/77, 76, 70, 15, 79; D9/349, 350, 351, 337; 215/13 R**

D. 222,521 10/1971 Johnson D7/77
 D. 268,727 4/1983 Nestrock D7/77
 2,717,619 9/1955 Whitman D7/79 X

FOREIGN PATENT DOCUMENTS

451233 9/1949 Italy 215/13 R
 733664 7/1955 United Kingdom 215/13 R

Primary Examiner—Bernard Ansher
Assistant Examiner—Linda M. Titolo
Attorney, Agent, or Firm—Hopgood, Calimafde, Kalil, Blaustein & Judlowe

[56] References Cited

U.S. PATENT DOCUMENTS

31,997 12/1899 Estes D9/351
 48,877 4/1916 Walker D7/77
 50,588 4/1917 Recker D7/77
 D. 70,476 6/1926 Heisey D7/15 X
 D. 112,799 1/1939 Watson D9/350
 D. 130,433 11/1941 Lewis D9/350 X
 D. 181,489 11/1957 Ossman D7/77

[57] CLAIM

The ornamental design for a vacuum bottle with closure cup, as shown and described.

DESCRIPTION

FIG. 1 is a front perspective view of a vacuum bottle with closure cup showing my new design;
 FIG. 2 is a top plan view thereof;
 FIG. 3 is a front elevation view thereof;
 FIG. 4 is a right side elevation view thereof; and
 FIG. 5 is a left side elevation view thereof.

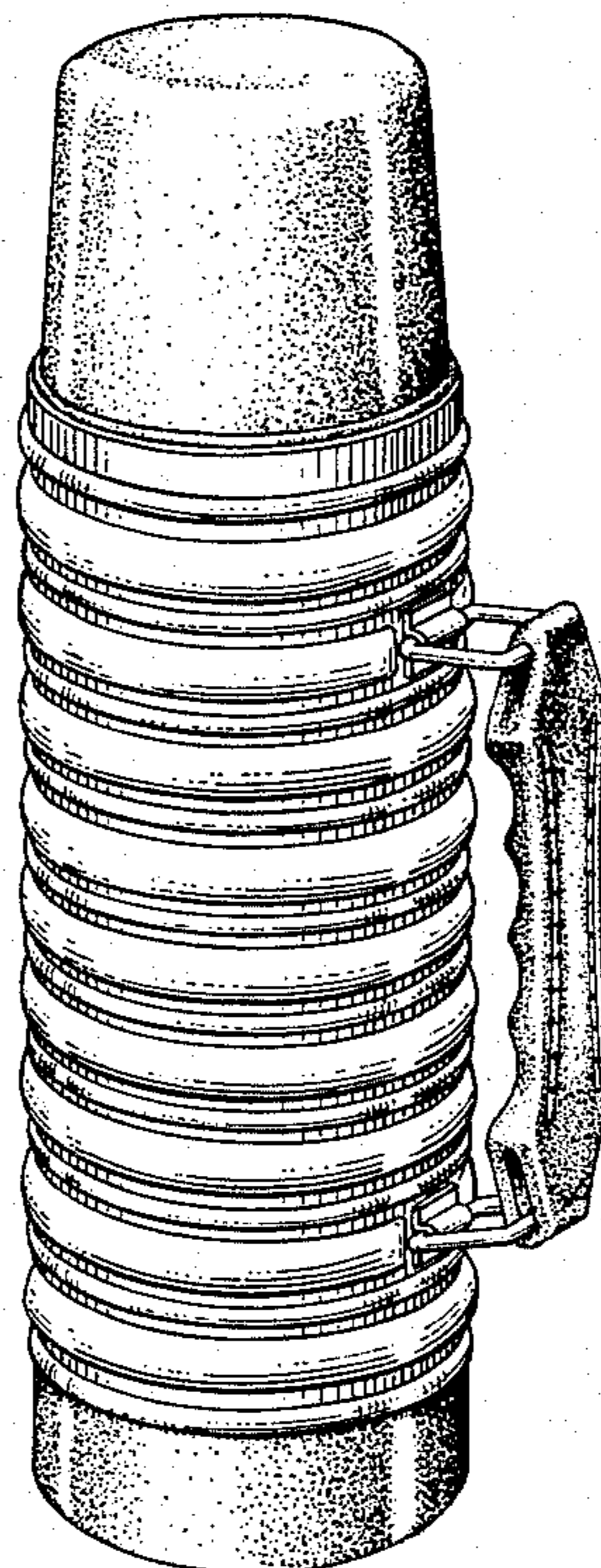


FIG. 1.

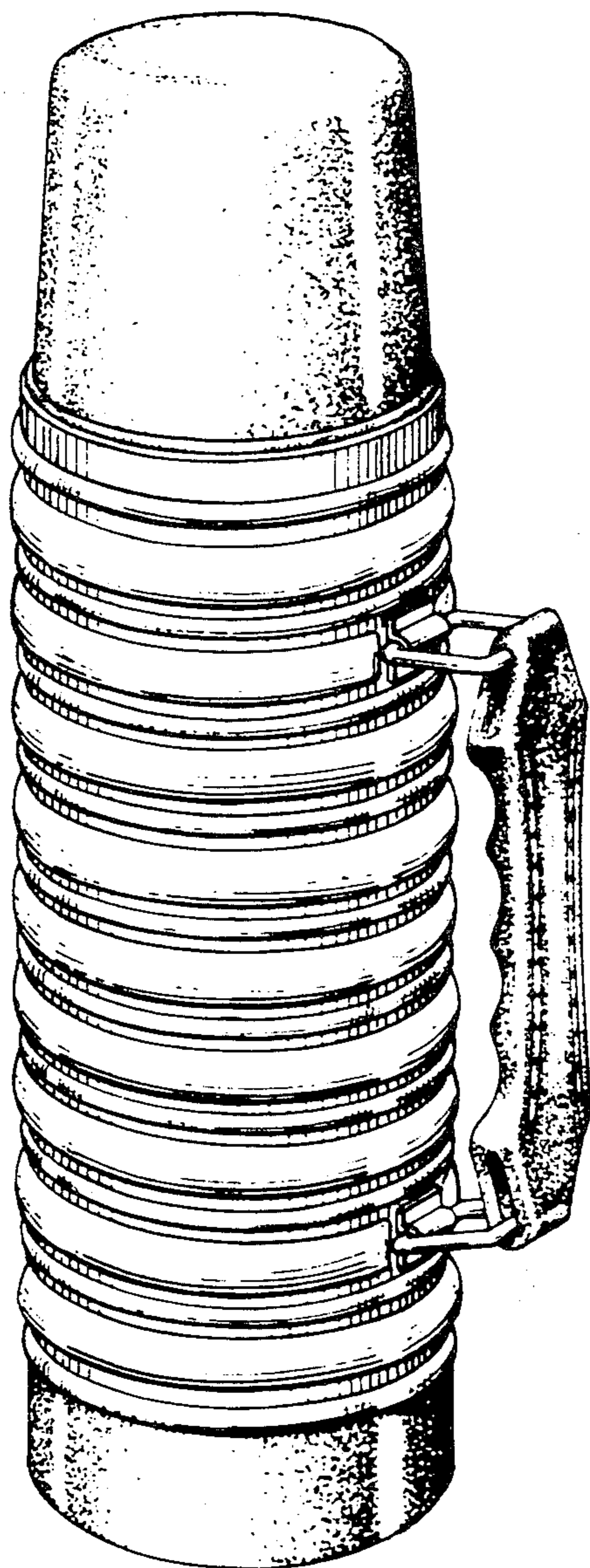


FIG. 2.

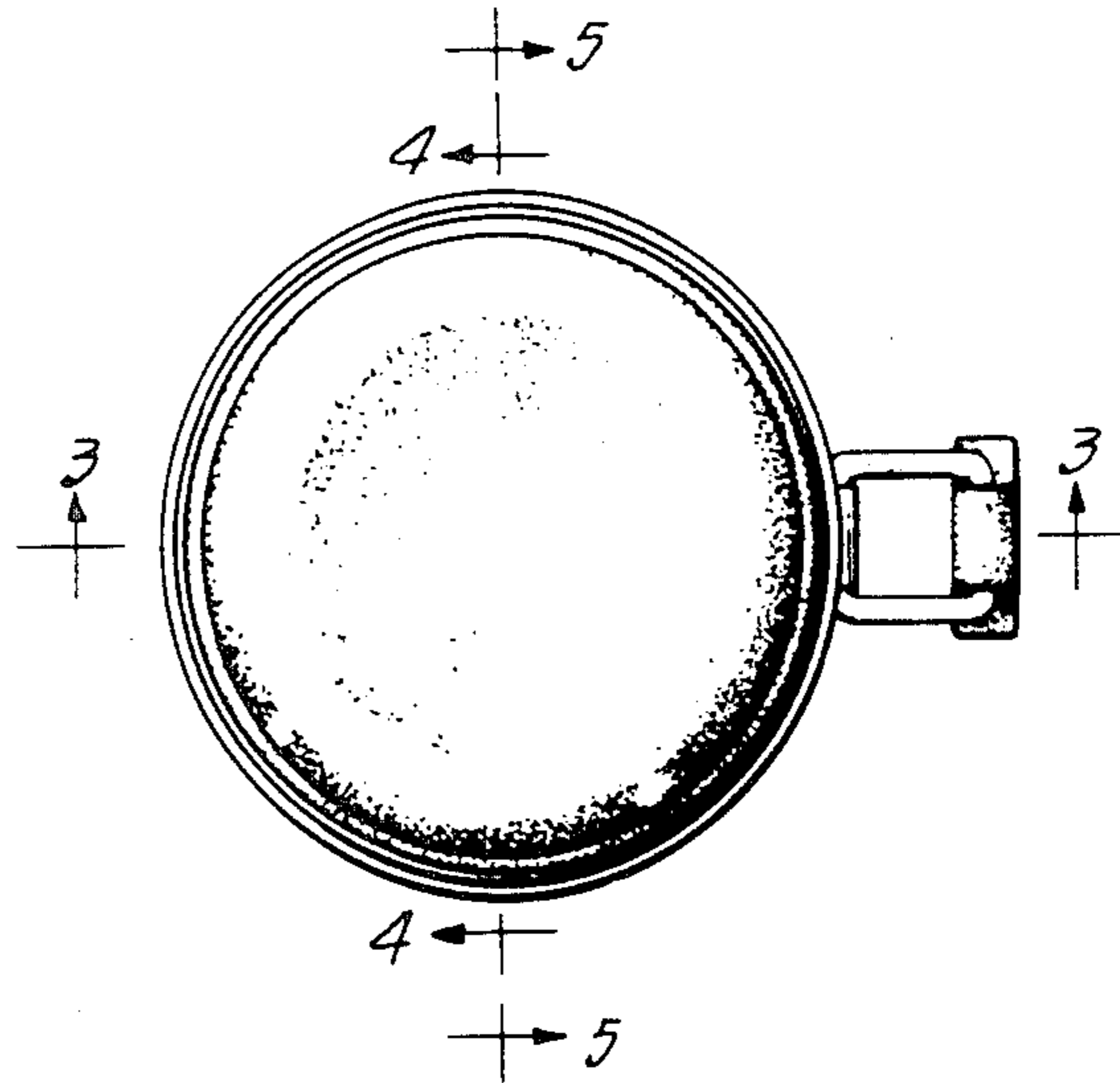


FIG. 3.

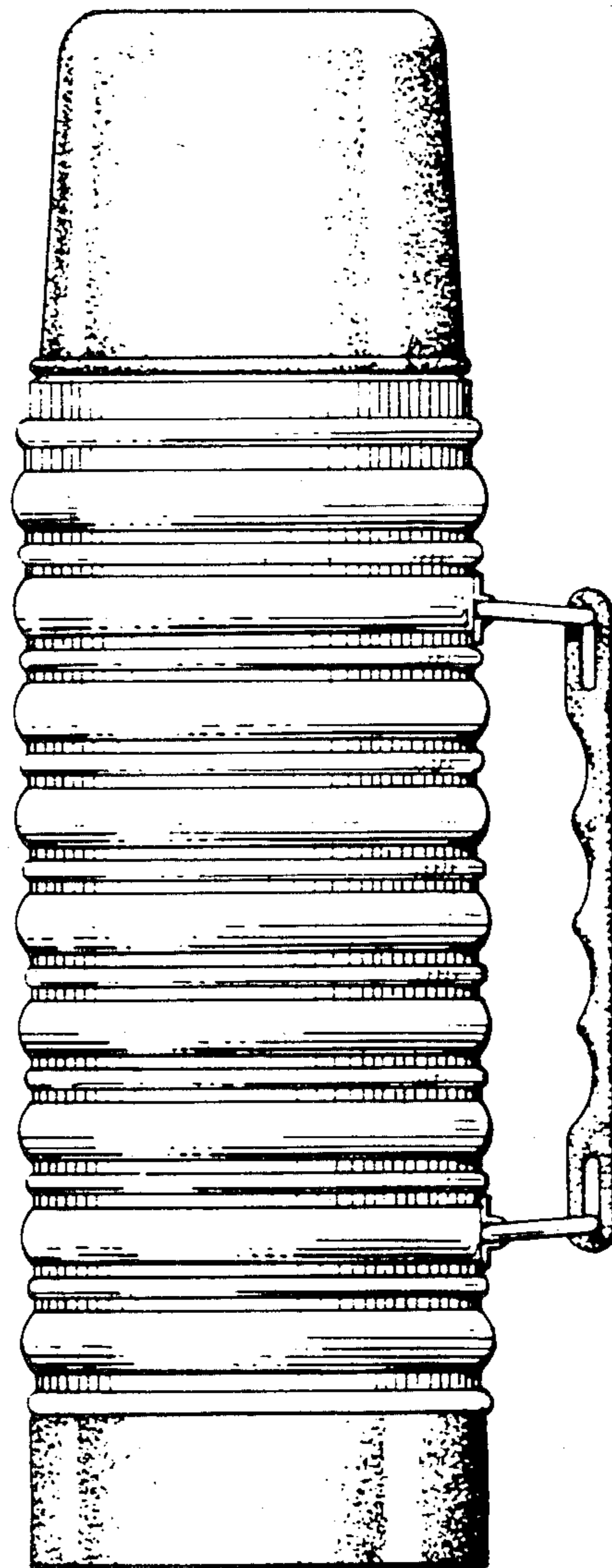


FIG. 4.

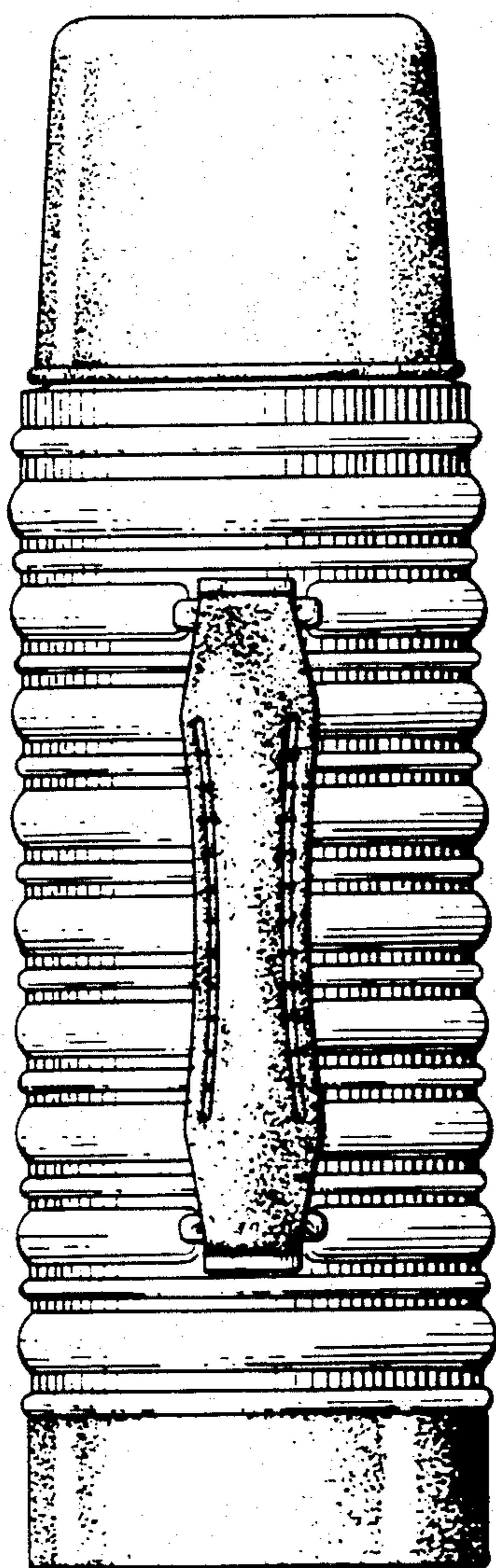


FIG. 5.

