

[54] **MERCHANDISE DISPLAY UNIT**

[75] **Inventor: Louis J. Crosslen, Grafton, Wis.**

[73] **Assignee: Frank Mayer & Associates, Inc., Grafton, Wis.**

[**] **Term: 14 Years**

[21] **Appl. No.: 417,434**

[22] **Filed: Sep. 13, 1982**

[52] **U.S. Cl. D6/449**

[58] **Field of Search D6/396, 449, 466, 470, D6/421, 553, 567, 574, 573, 475; 248/174; 211/42, 71; 206/44 R; D9/418, 432; D7/104; D15/10, 11, 28, 32; 294/54.5, 55; D32/74; 312/10**

[56] **References Cited**

U.S. PATENT DOCUMENTS

- D. 185,897 8/1959 Stark D6/574
- D. 260,722 9/1981 Bateman D7/104
- 865,643 9/1907 Jackson 294/55 X
- 1,932,429 10/1933 Wellman 206/44 R X

- 2,178,091 10/1939 Weiss 206/44 R
- 2,259,041 10/1941 Larkin 206/44 R
- 3,184,073 5/1965 Bartolucci D6/186 X

FOREIGN PATENT DOCUMENTS

- 651353 10/1962 Canada 312/10
- 927730 6/1973 United Kingdom 211/71

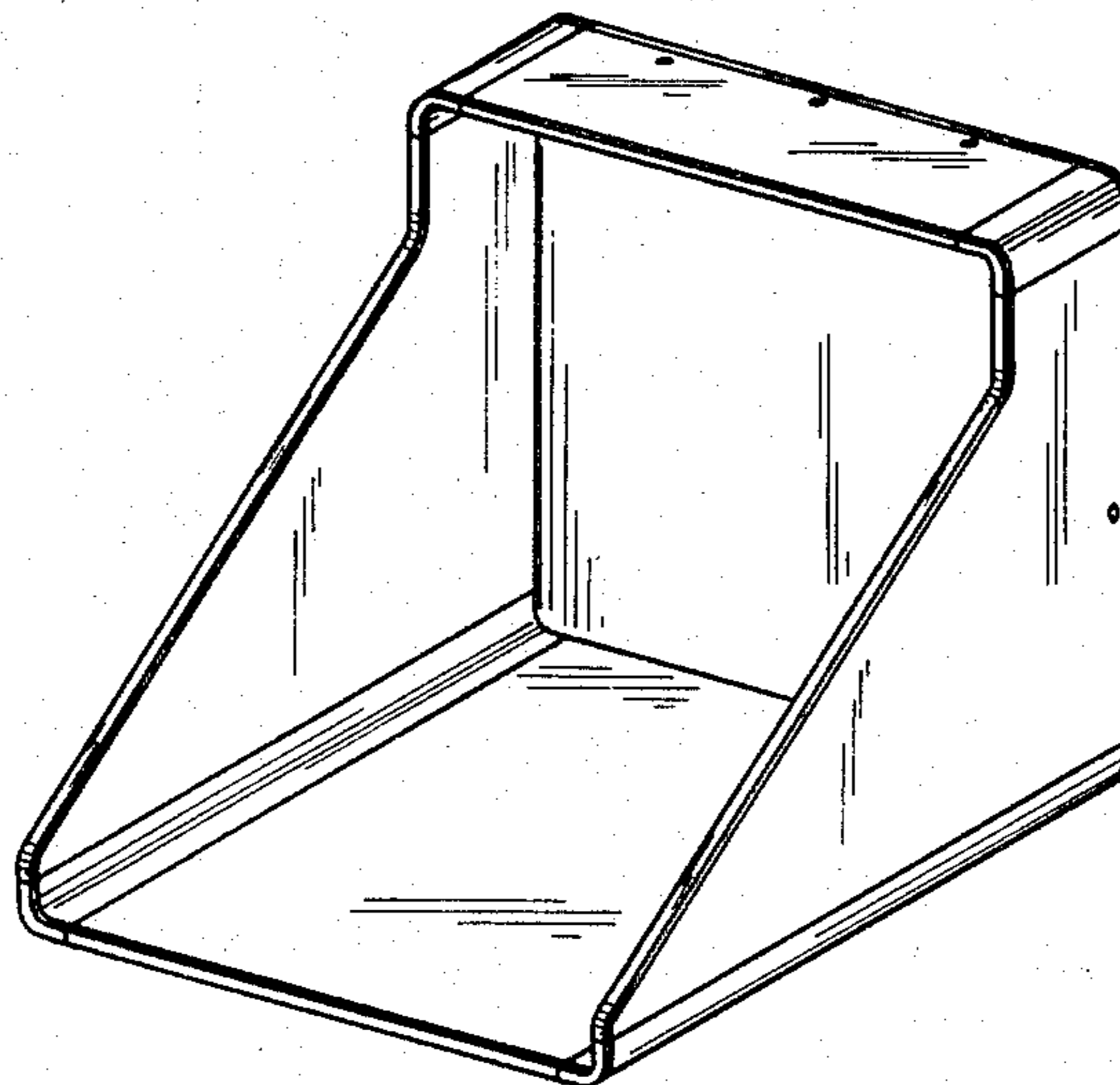
*Primary Examiner—Carmen H. Vales
Attorney, Agent, or Firm—James E. Nilles*

[57] **CLAIM**

The ornamental design for a merchandise display unit, substantially as shown and described.

DESCRIPTION

FIG. 1 is a front perspective view of a merchandise display unit showing my new design;
FIG. 2 is a front elevational view thereof;
FIG. 3 is a top plan view thereof;
FIG. 4 is a bottom plan view thereof;
FIG. 5 is a right side elevational view; the left side being a mirror image thereof; and
FIG. 6 is a rear elevational view thereof.



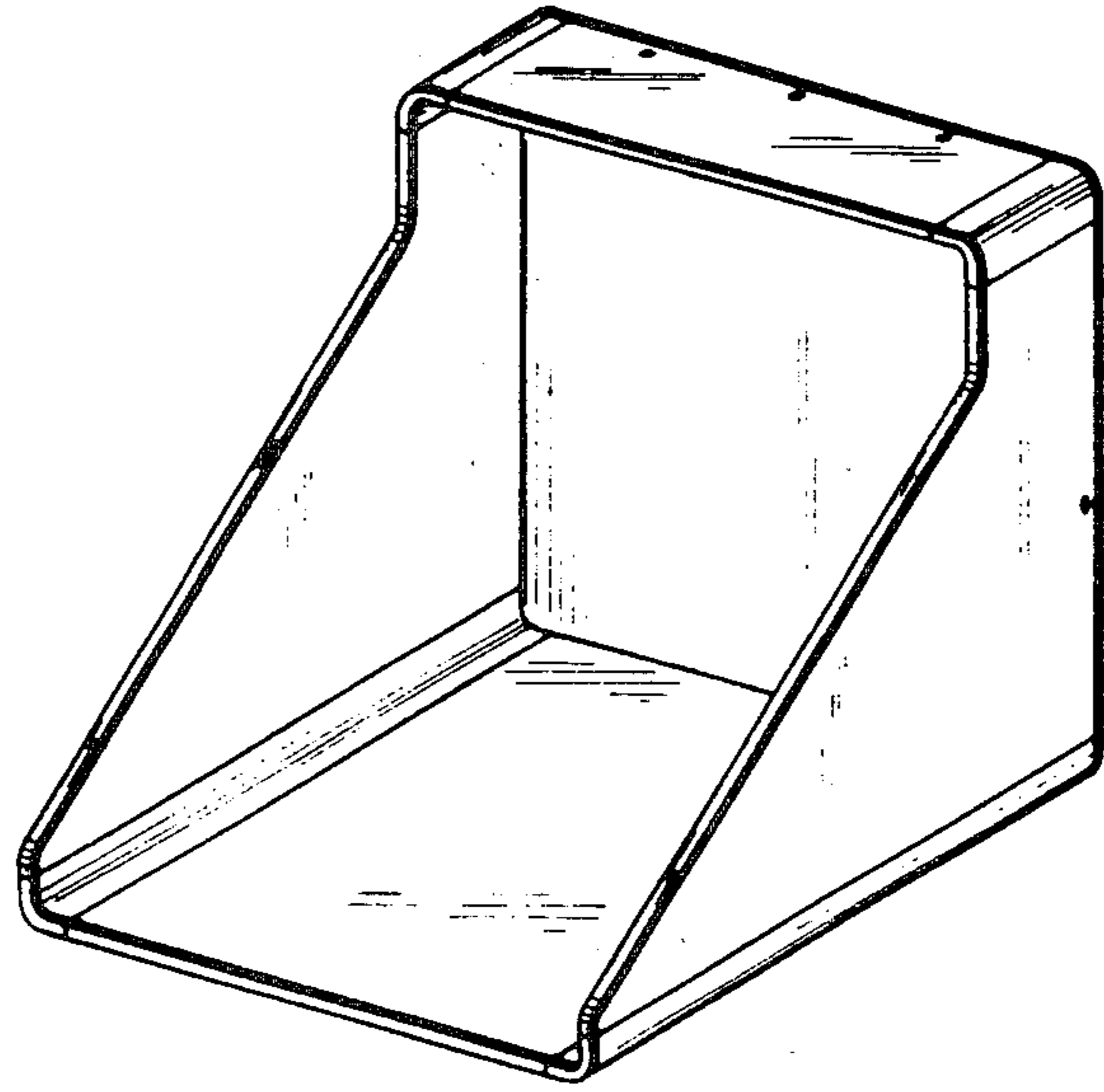


FIG. 1

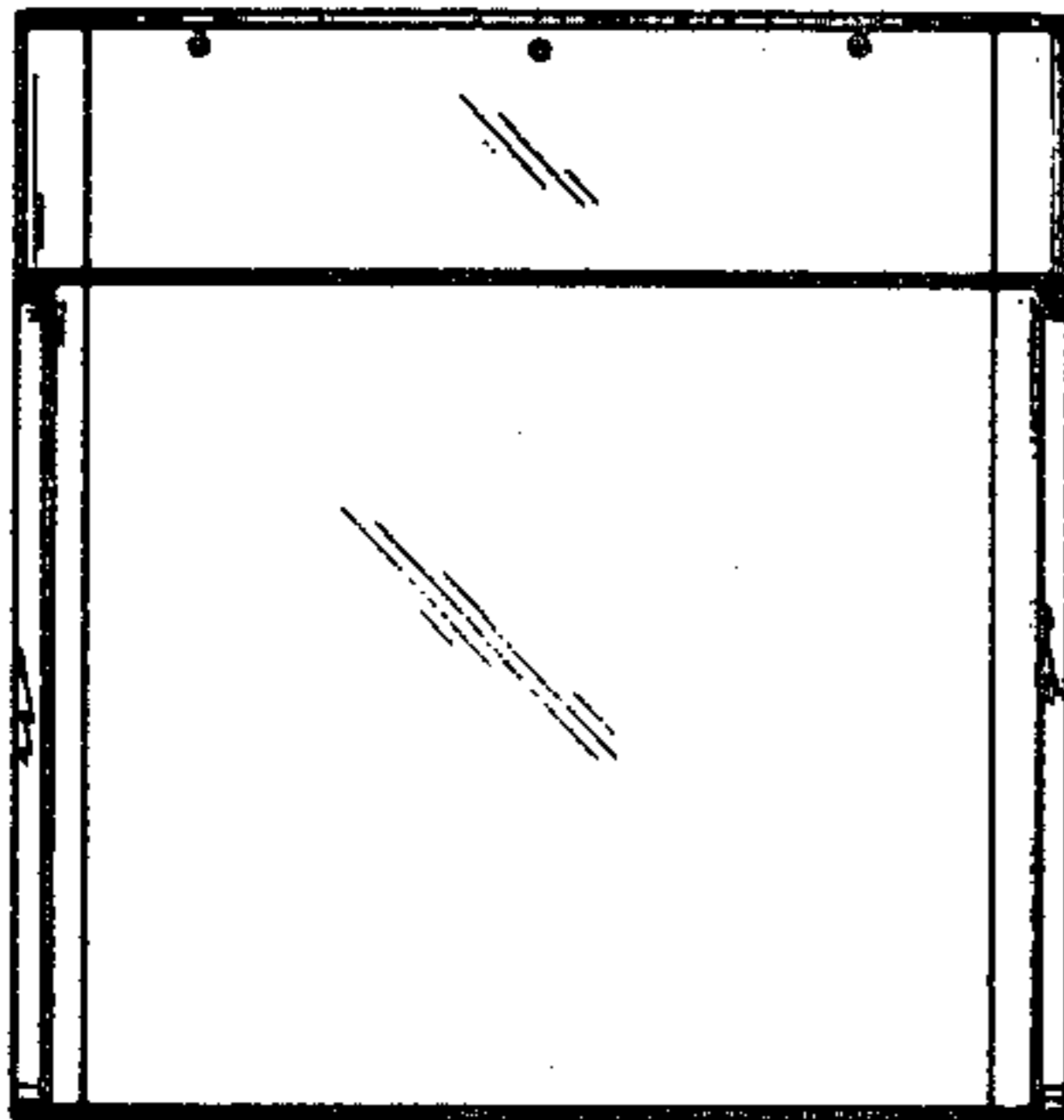


FIG. 3

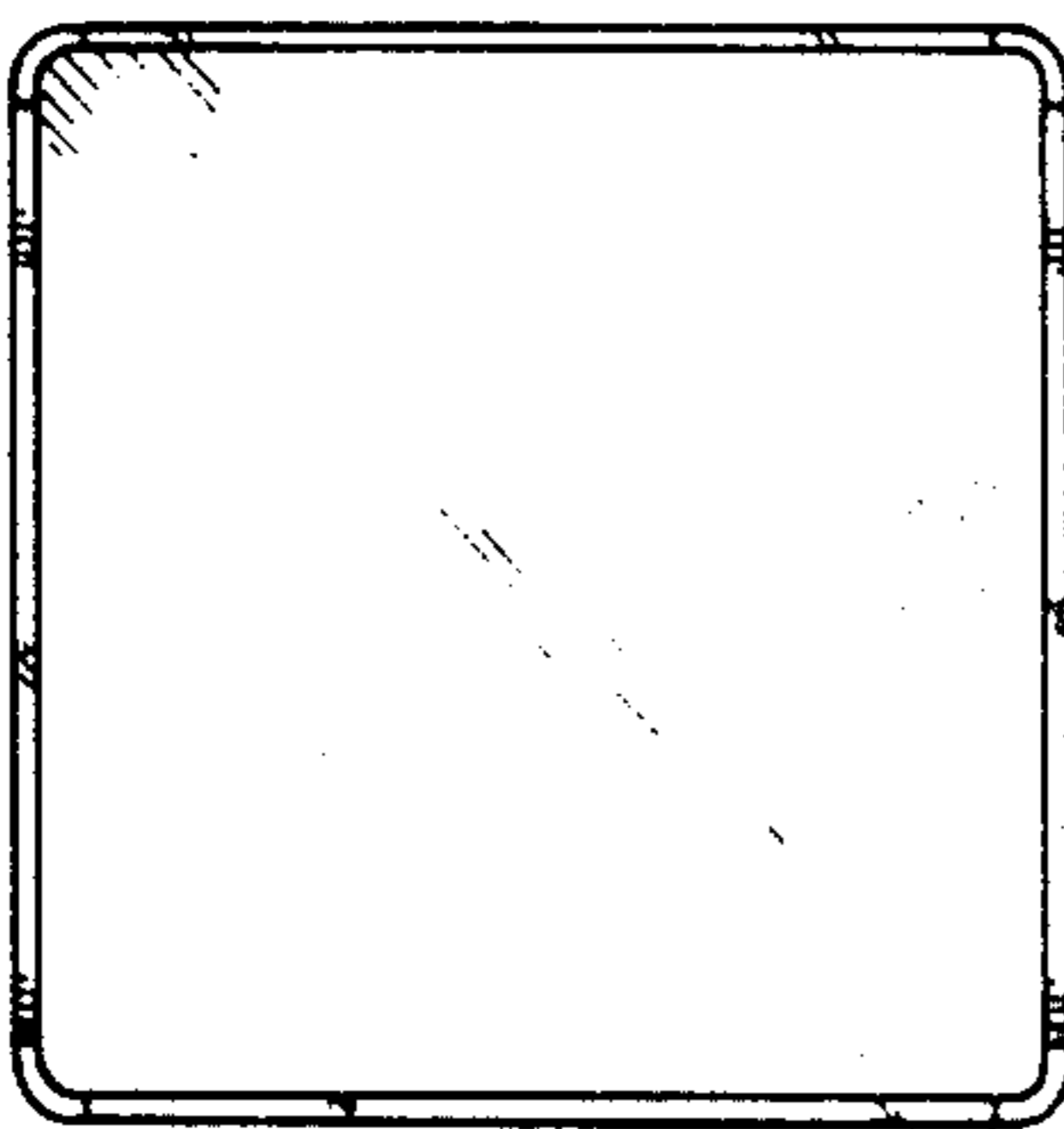


FIG. 2

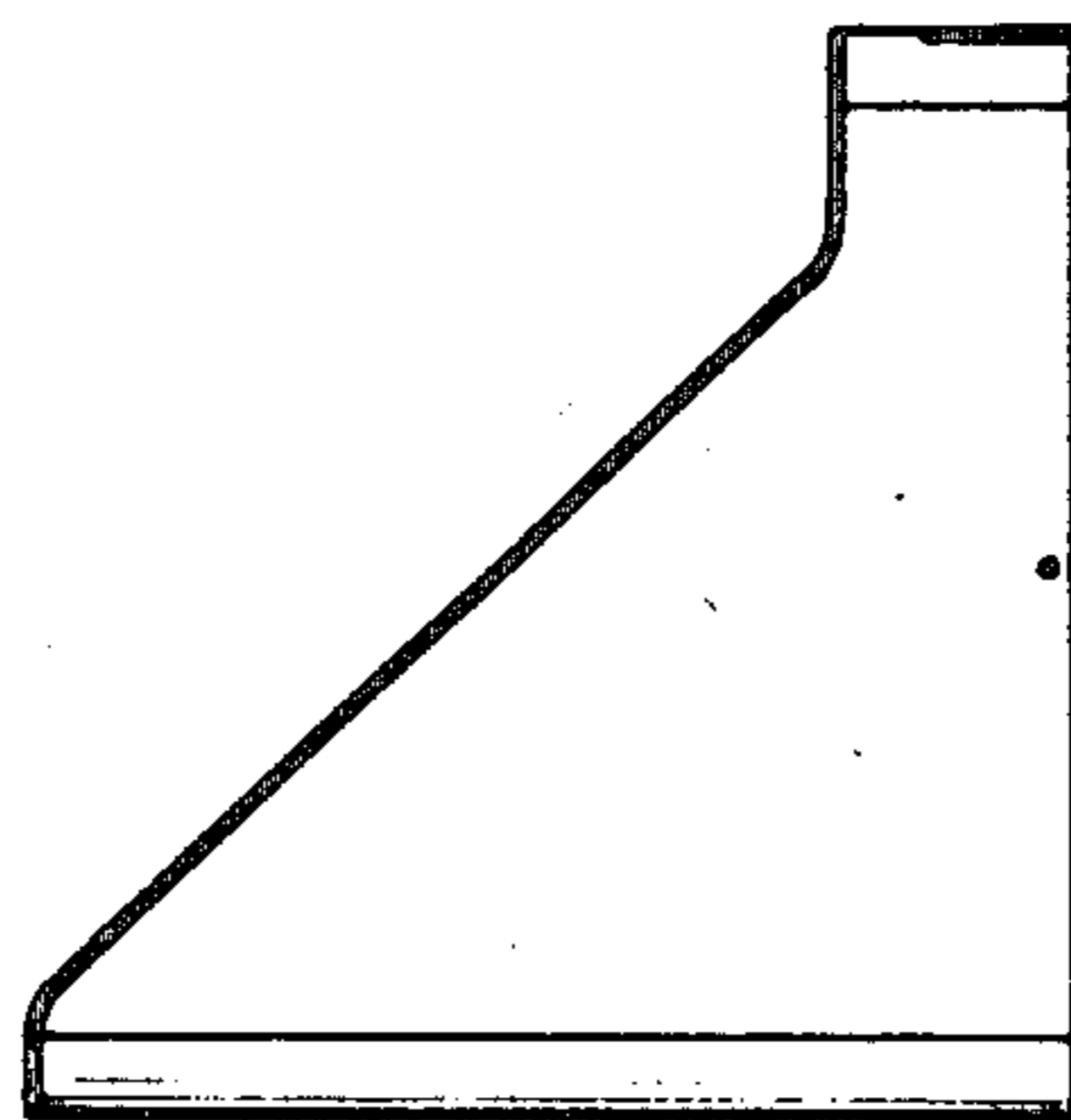


FIG. 5

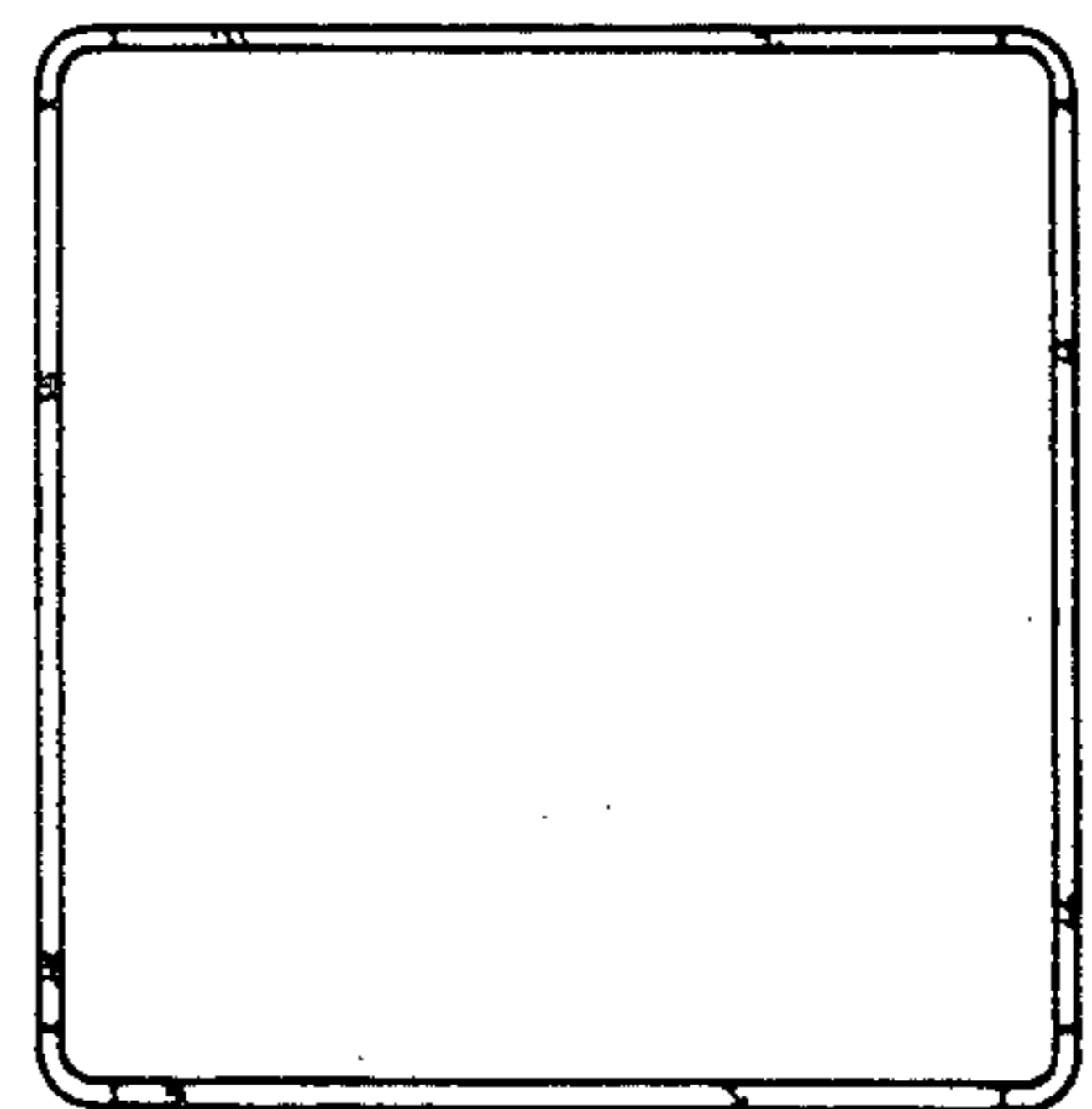


FIG. 6

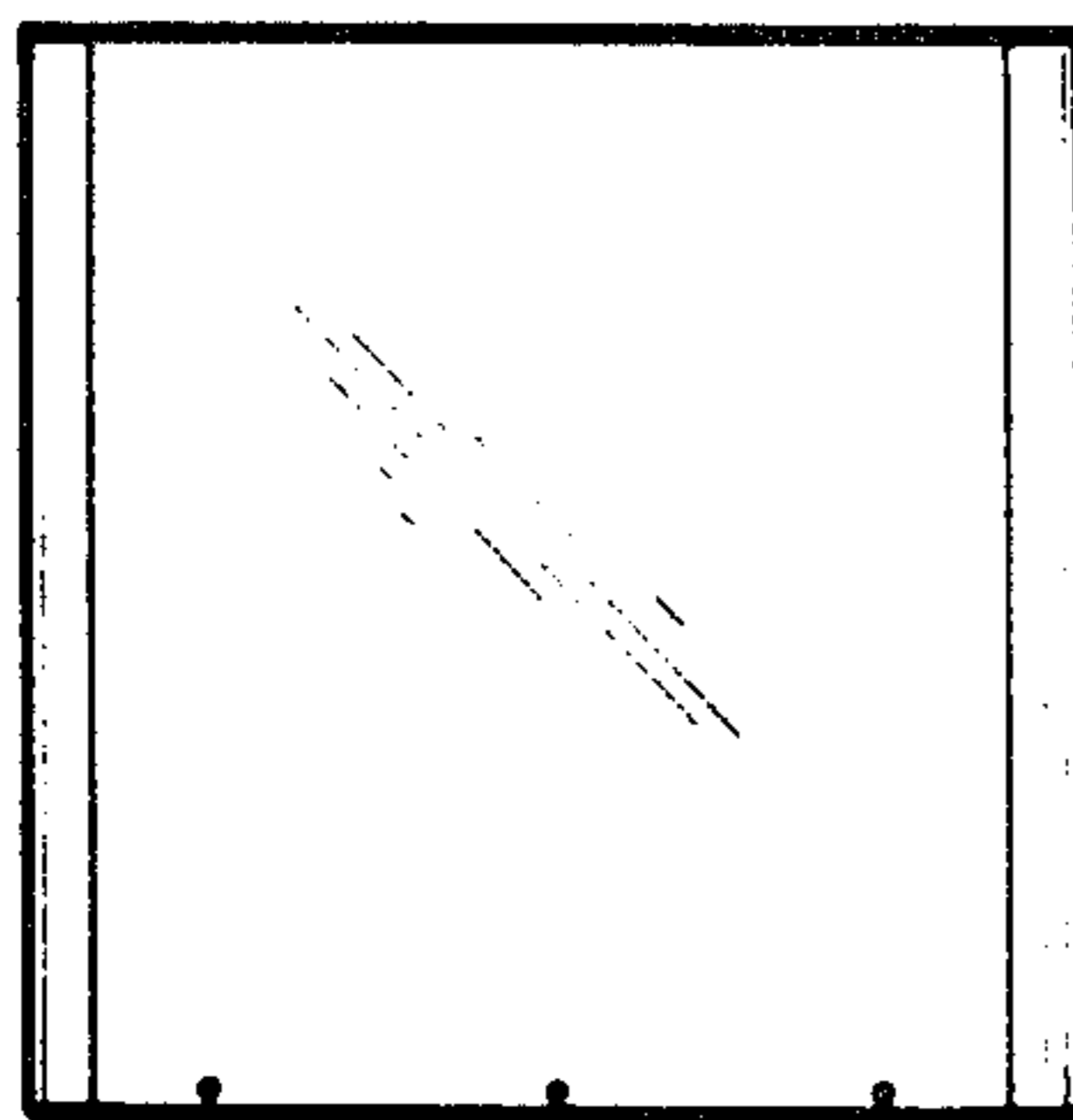


FIG. 4