

United States Patent [19]

Weshler

[11] Patent Number: **Des. 277,817**

[45] Date of Patent: **** Mar. 5, 1985**

[54] **DISPLAY CABINET**

[76] Inventor: **Benjamin S. Weshler, 58-88 56th St., Maspeth, N.Y. 11378**

[**] Term: **14 Years**

[21] Appl. No.: **391,847**

[22] Filed: **Jun. 24, 1982**

[52] U.S. Cl. **D6/471; D6/473; D6/474; D6/476**

[58] Field of Search **D6/85, 181, 184, 185, D6/186, 188, 189, 190; 312/114, 117**

[56] **References Cited**

U.S. PATENT DOCUMENTS

D. 152,459 1/1949 Dawson D6/184

D. 153,961 5/1949 Malkin D6/185
D. 183,296 8/1958 Armato et al. D6/189
D. 249,433 9/1978 Carlsen D6/184
3,838,266 9/1974 Jonathan 312/117 X

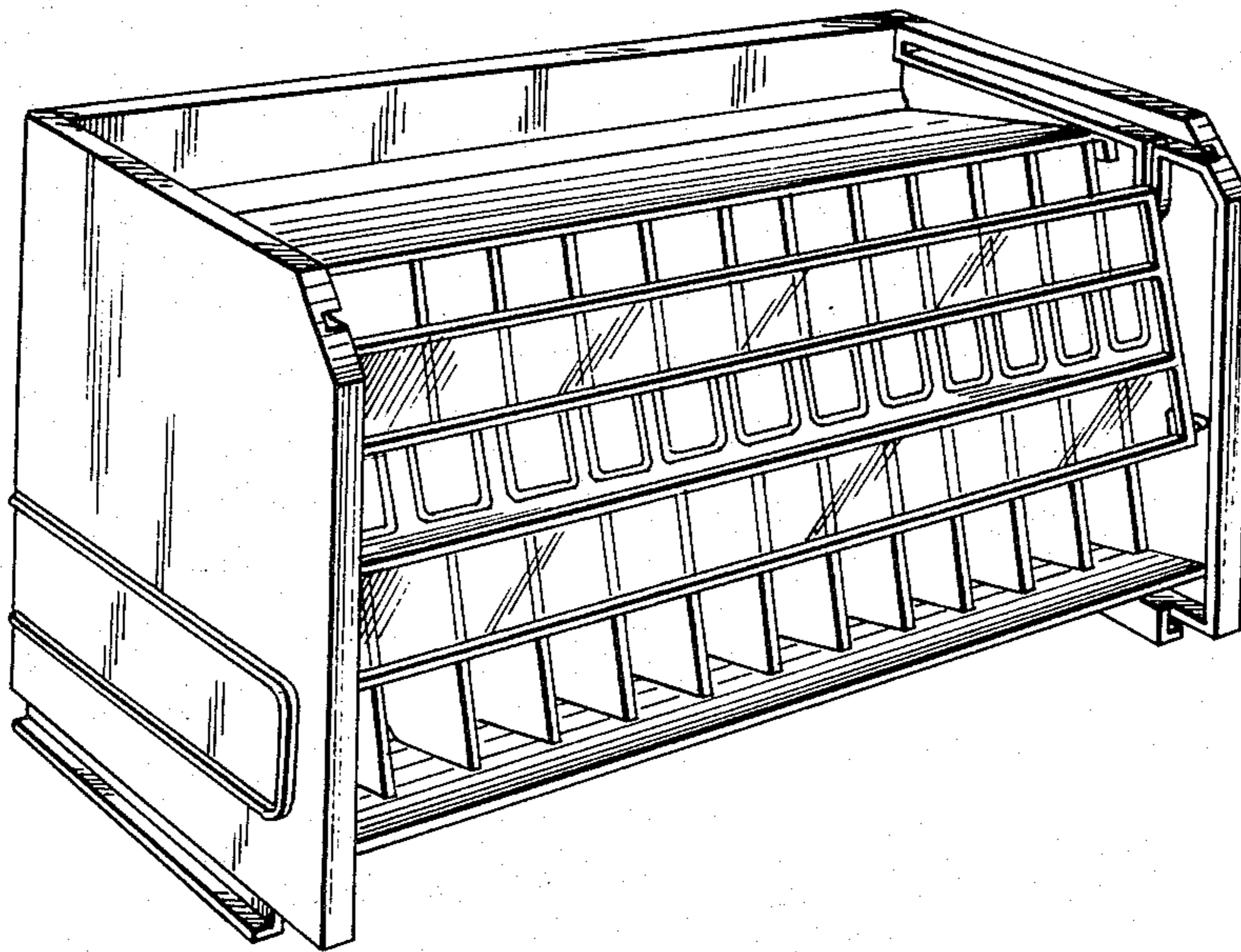
Primary Examiner—Carmen H. Vales
Attorney, Agent, or Firm—Stempler & Cohrin

[57] **CLAIM**

The ornamental design for a display cabinet, substantially as shown and described.

DESCRIPTION

FIG. 1 is a perspective view of a display cabinet showing our new design;
FIG. 2 is a right side elevational view thereof;
FIG. 3 is a rear elevational view thereof; and
FIG. 4 is a bottom plan view thereof.



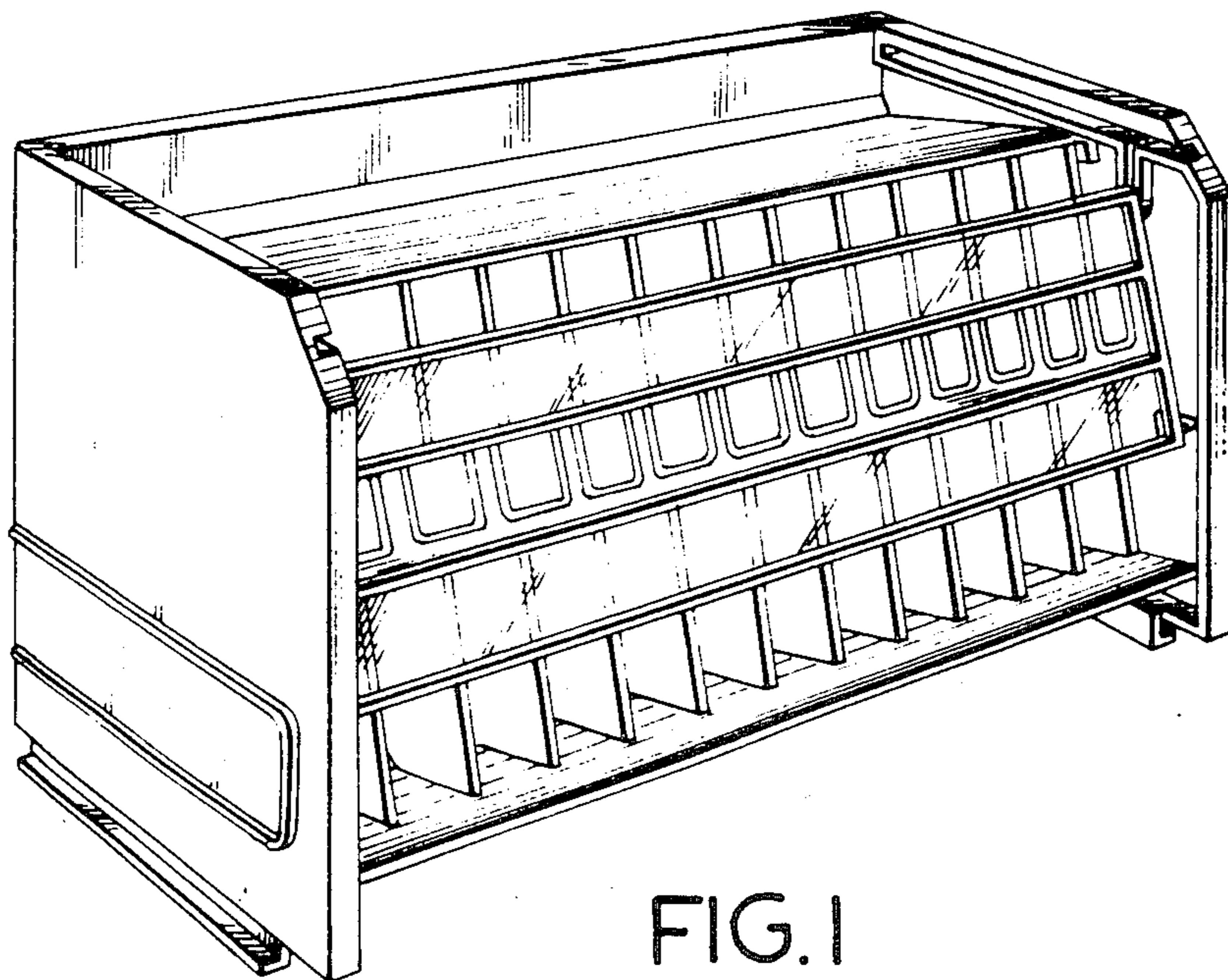


FIG. 1

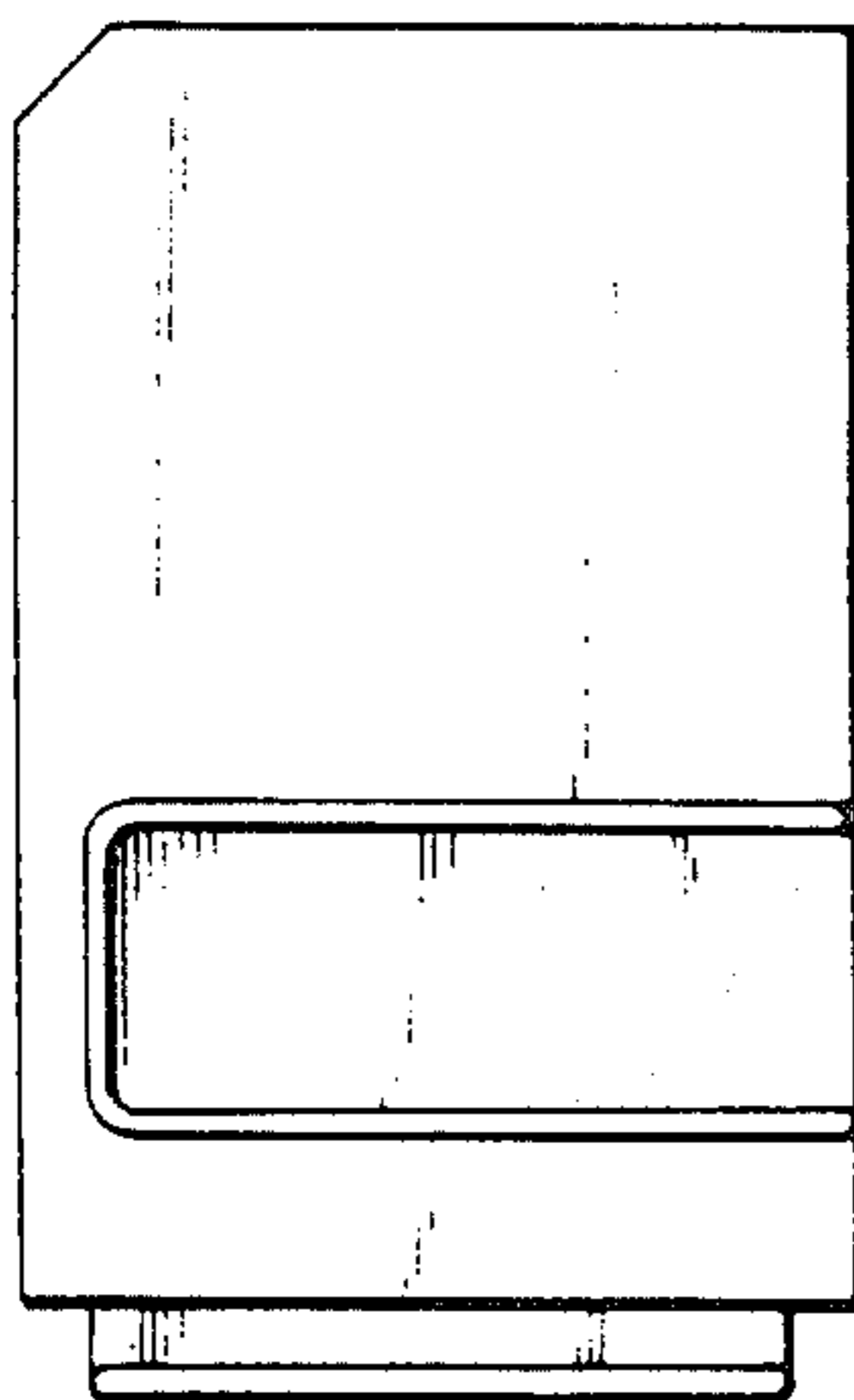


FIG. 2

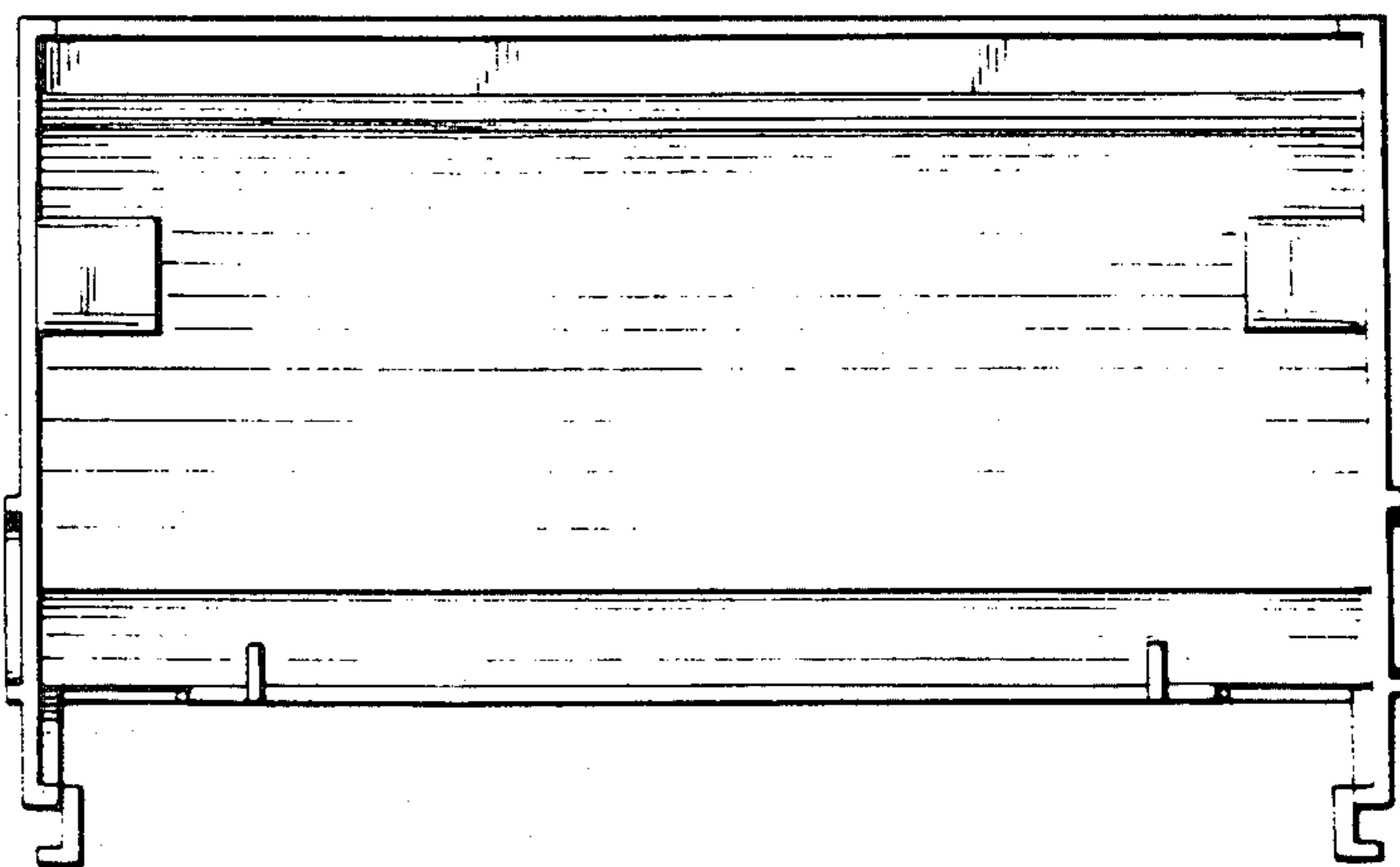


FIG. 3

FIG. 4

