

[54] TOOTHBRUSH HOLDER

[76] Inventor: Bruce R. Thompson, 32 Shakespeare Ave., Tranmere, South Australia, Australia

[\*\*] Term: 14 Years

[21] Appl. No.: 438,335

[22] Filed: Nov. 1, 1982

[30] Foreign Application Priority Data

May 5, 1982 [AU] Australia ..... 303/82

[52] U.S. Cl. .... D6/534; D6/469

[58] Field of Search ..... D6/86, 94, 125, 188, D6/189; 211/60 R, 65, 72, 74; 248/110, 111; 206/77.1; 220/1 R, 4 B

[56] References Cited

U.S. PATENT DOCUMENTS

D. 62,289	5/1923	Keene	.....	248/111
1,618,027	2/1927	Vogler	.....	D6/94
3,412,888	11/1968	Andrews et al.	.....	220/4 B
4,220,134	9/1980	Snyder	.....	220/4 B

OTHER PUBLICATIONS

Abitare, Gedy, V197, g/1981, p. 139, Container w/Toothbrush Holders #2 in middle right side.

Primary Examiner—A. Hugo Word

Assistant Examiner—Suzanne N. Gitlin

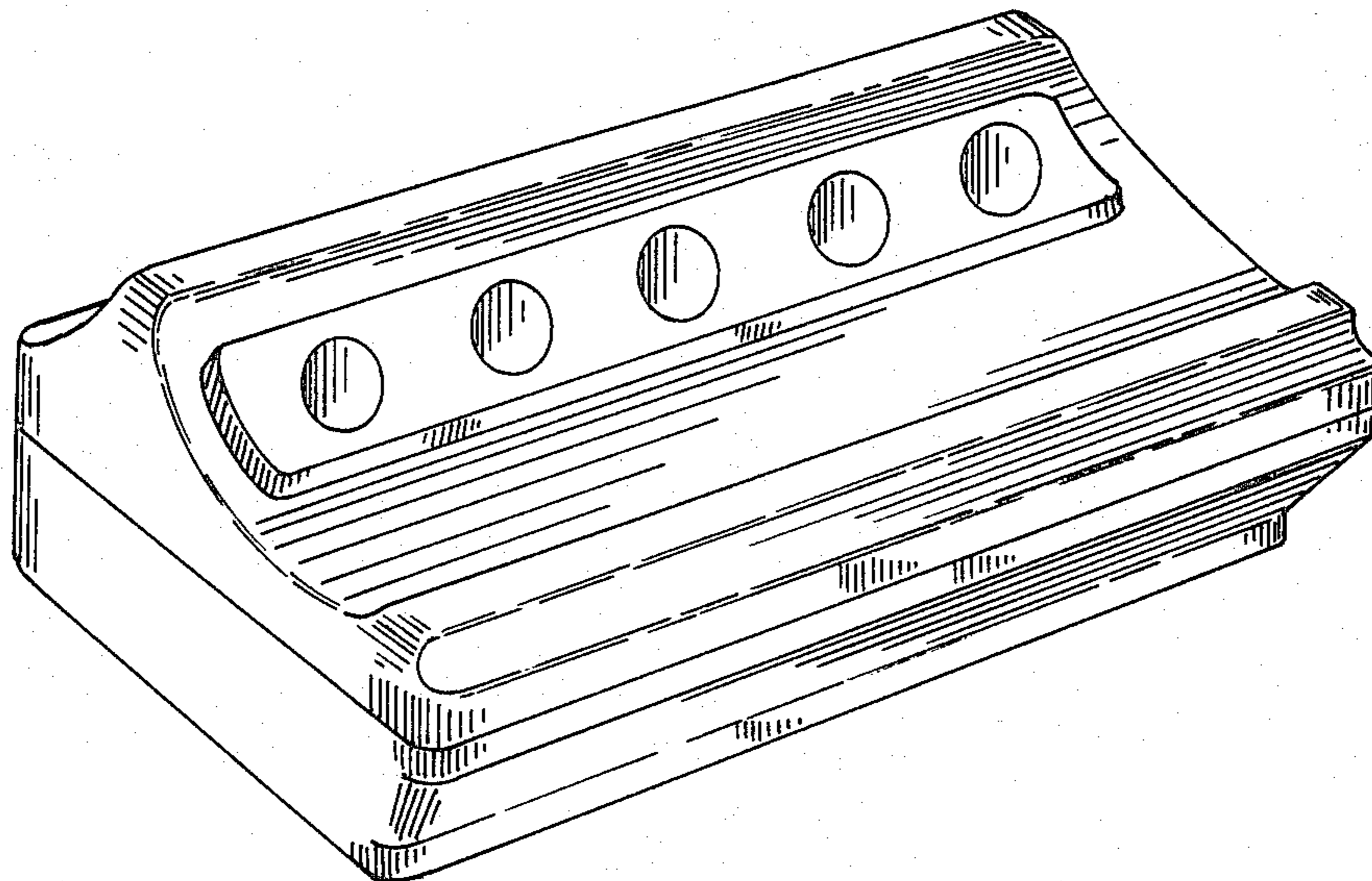
Attorney, Agent, or Firm—McDougall, Hersh & Scott

[57] CLAIM

The ornamental design for a toothbrush holder, as shown.

DESCRIPTION

FIG. 1 is a perspective view of a toothbrush holder showing my new design;  
 FIG. 2 is an exploded perspective view thereof;  
 FIG. 3 is a side elevational view taken from the right of FIG. 1;  
 FIG. 4 is a side elevational view taken from the left of FIG. 1;  
 FIG. 5 is a front elevational view thereof;  
 FIG. 6 is a rear elevational view thereof;  
 FIG. 7 is a top plan view thereof; and  
 FIG. 8 is a bottom plan view thereof.



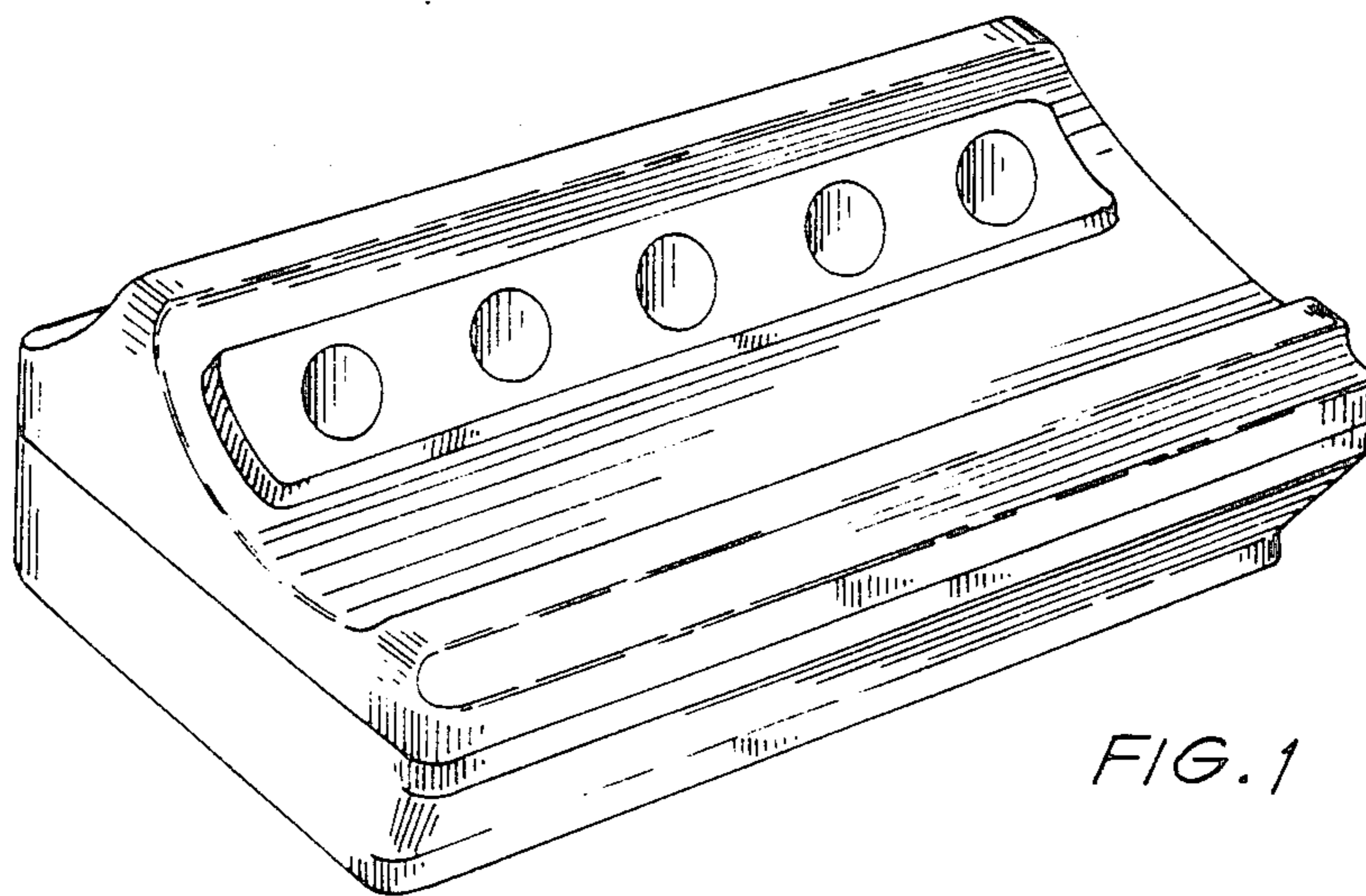


FIG. 1

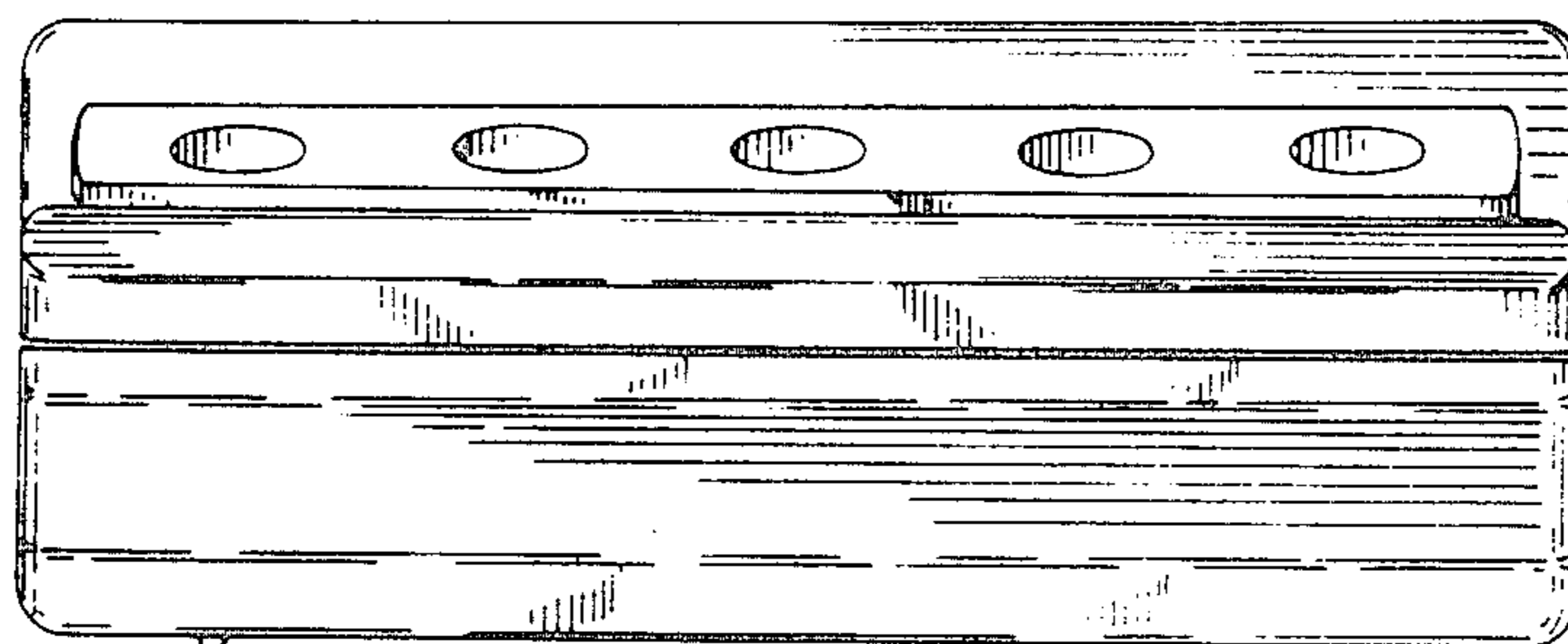


FIG. 5

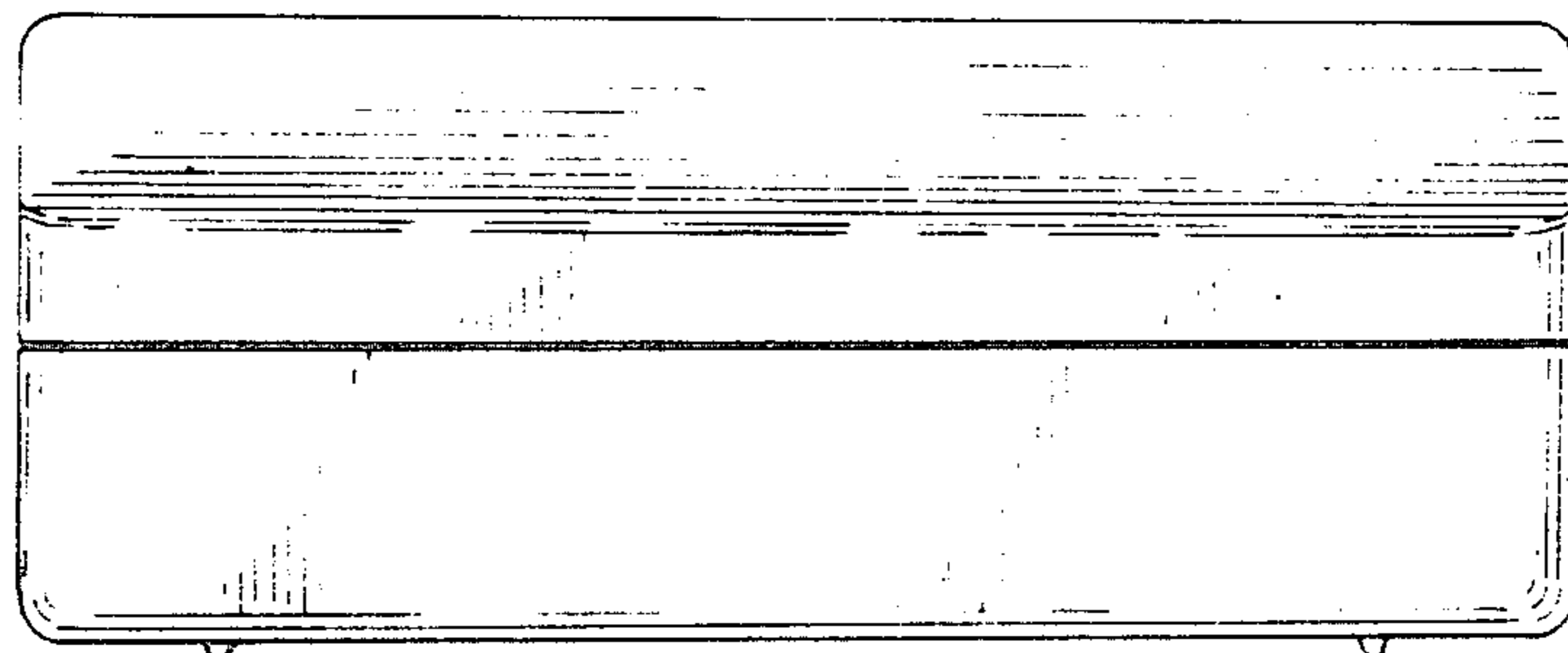
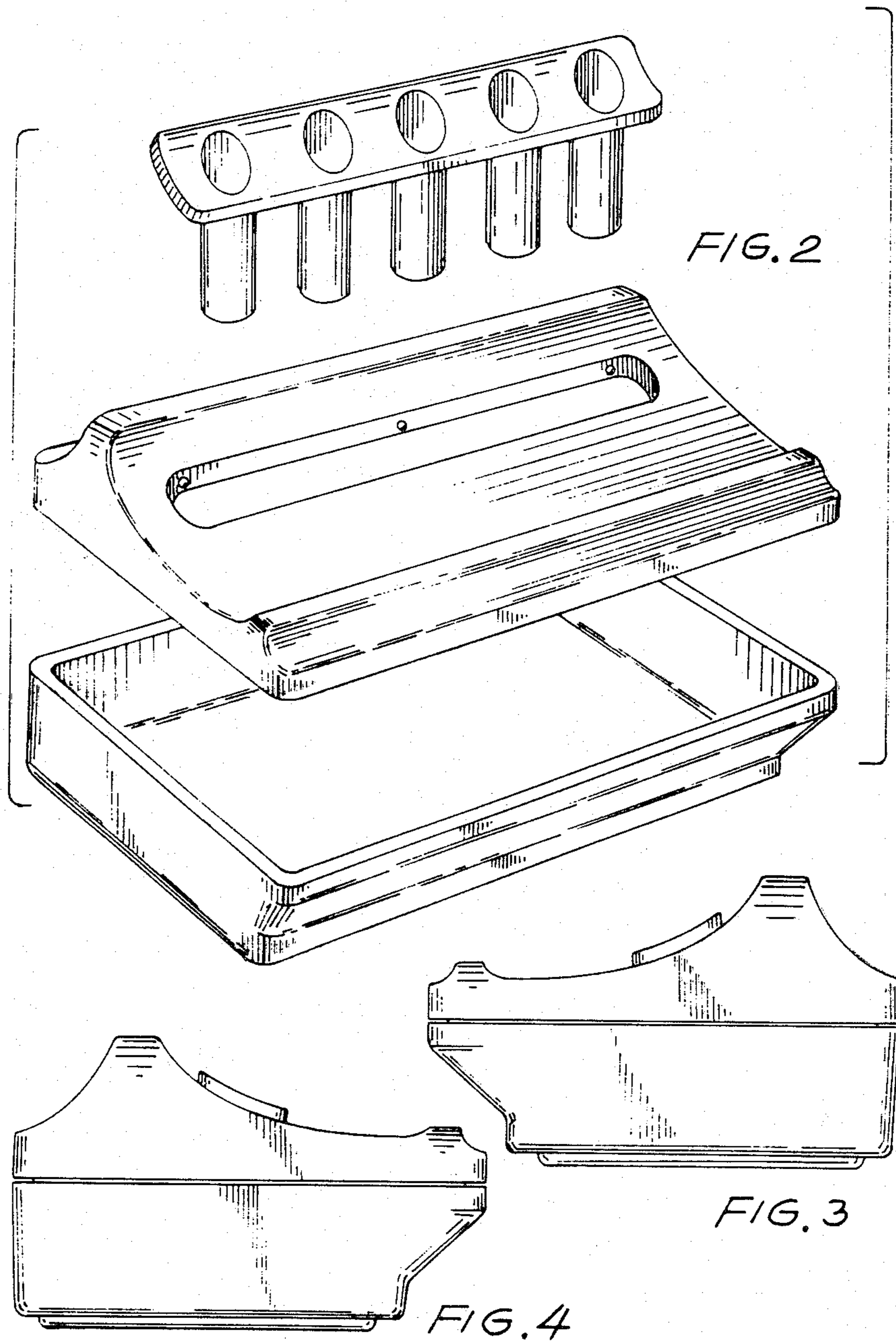


FIG. 6



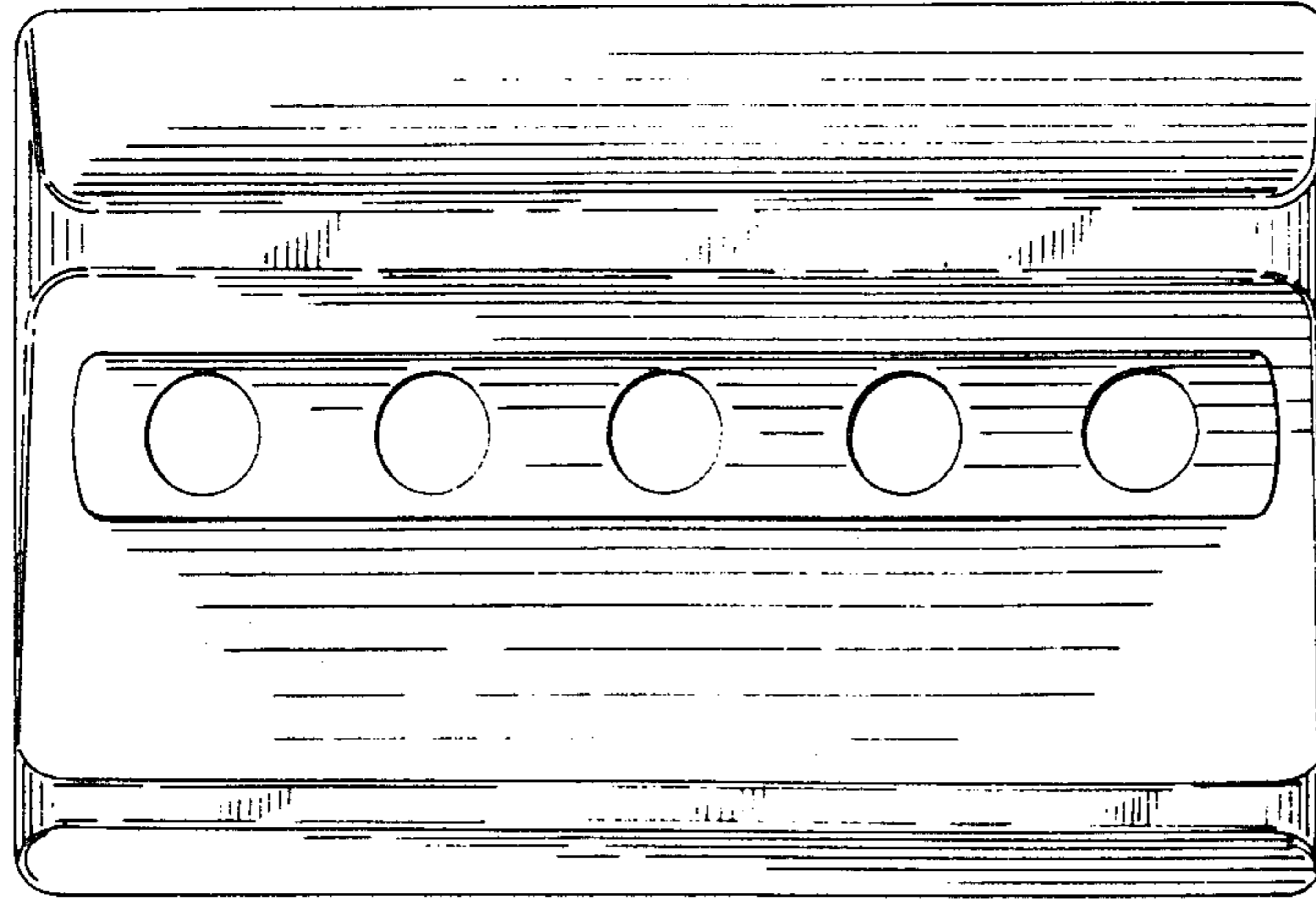


FIG. 7

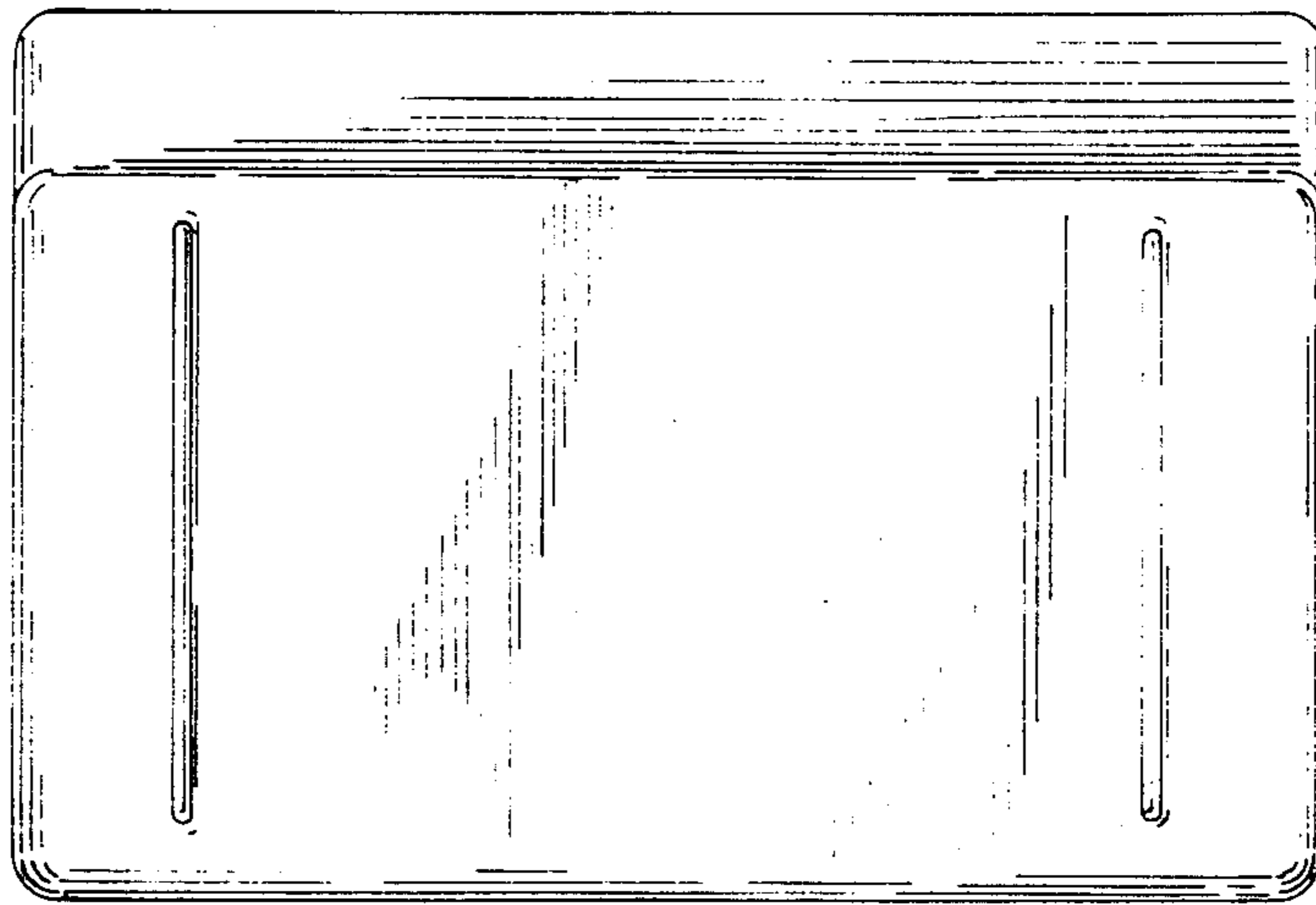


FIG. 8