

[54] LOCK BOX

[76] Inventors: Lloyd Franko, 9580 Crackel Rd., Aurora, Ohio 44202; Lenard Lapchynski, 8219 S. Bedford Rd., Macedonia, Ohio 44056

[\*\*] Term: 14 Years

[21] Appl. No.: 427,898

[22] Filed: Sep. 29, 1982

[52] U.S. Cl. .... D99/28

[58] Field of Search ..... D99/34, 28, 99; D9/414, D9/430; 220/4 B, DIG. 13; 109/64, 49.5, 58, 52, 59 R

[56] References Cited

U.S. PATENT DOCUMENTS

D. 136,489	10/1943	Geffner .....	D9/430
445,996	2/1891	Iden .....	220/4 B
2,733,830	2/1956	Ruskin .....	D9/424
3,065,308	11/1962	Suyeoka .....	220/334
3,563,370	2/1971	Nozette .....	D9/424

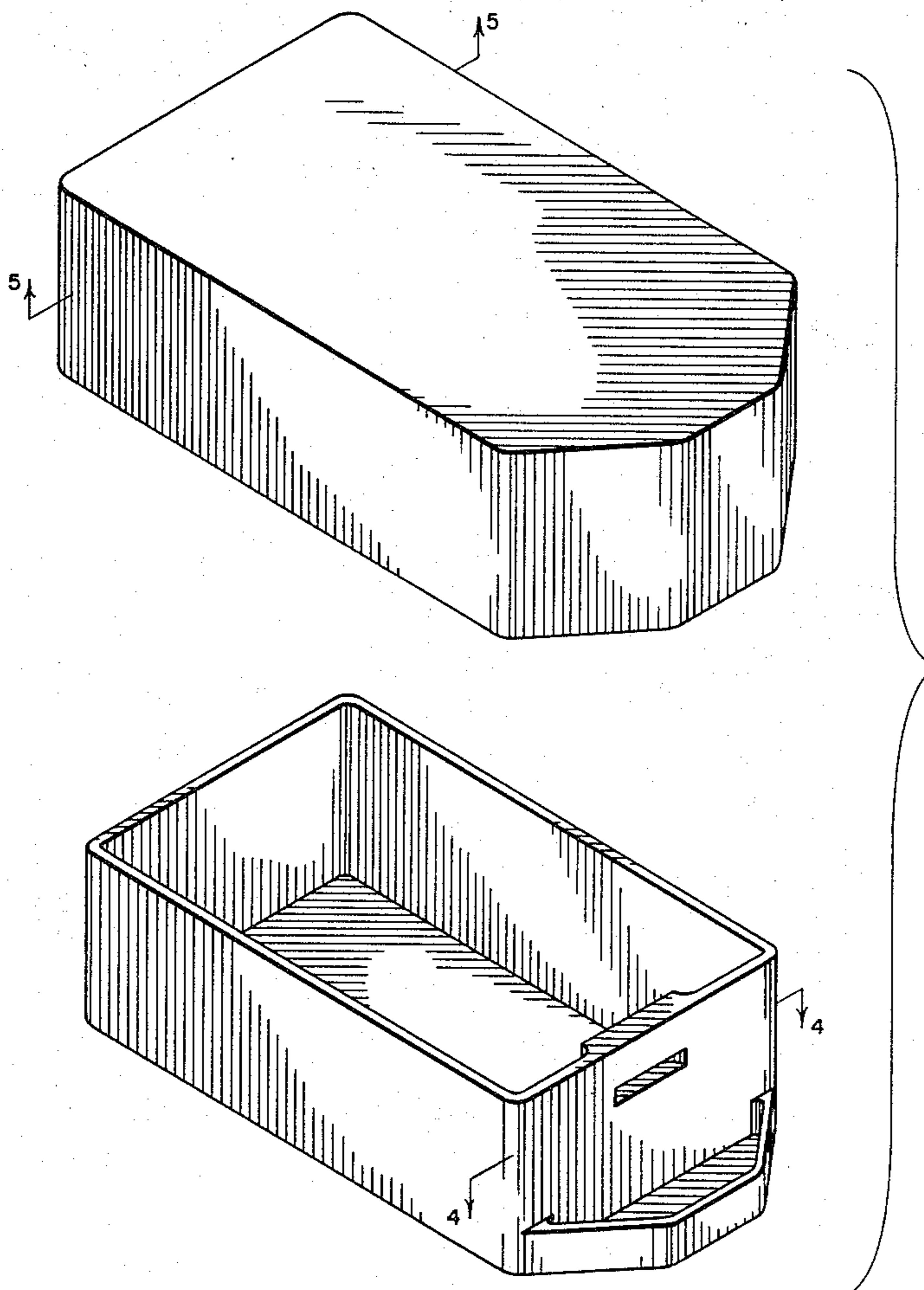
Primary Examiner—Bernard Ansher  
Assistant Examiner—Terry Pfeffer  
Attorney, Agent, or Firm—David A. Burge

[57] CLAIM

The ornamental design for a lock box, as shown and described.

DESCRIPTION

FIG. 1 is a front, top, exploded perspective view of a lock box showing my new design;  
FIG. 2 is a rear, top, exploded perspective view thereof;  
FIG. 3 is a perspective view of the base and cover member illustrated in an inverted position for clarity of illustration;  
FIG. 4 is a fragmentary cross-section taken on line 4—4 of FIG. 1;  
FIG. 5 is a fragmentary cross-section taken on line 5—5 of FIG. 1;  
FIG. 6 is a fragmentary cross-section taken on line 6—6 of FIG. 2;  
FIG. 7 is a bottom plan view of the base and cover in a fully assembled condition; and  
FIG. 8 is a cross-section taken on line 8—8 of FIG. 7.



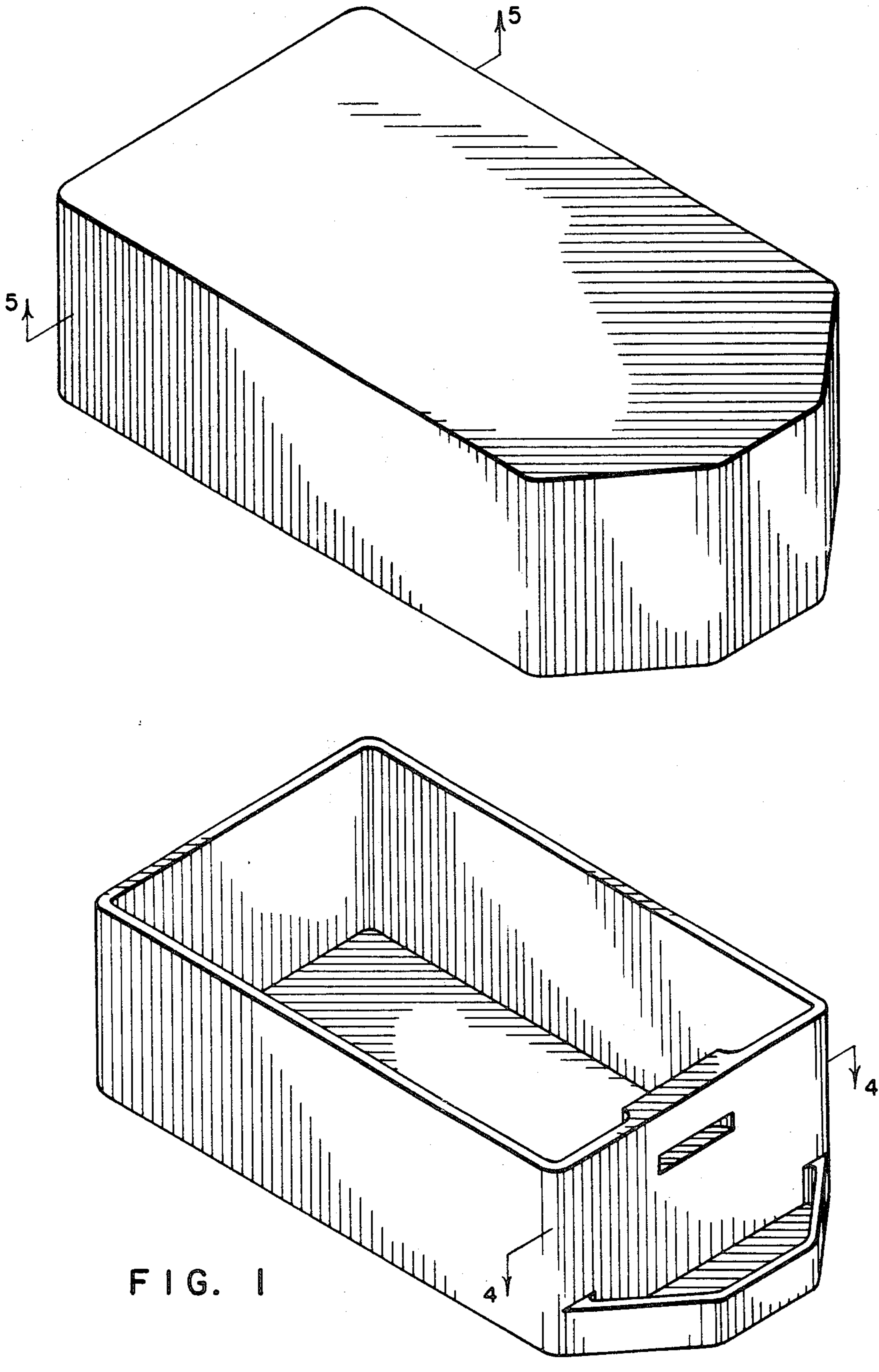


FIG. 1

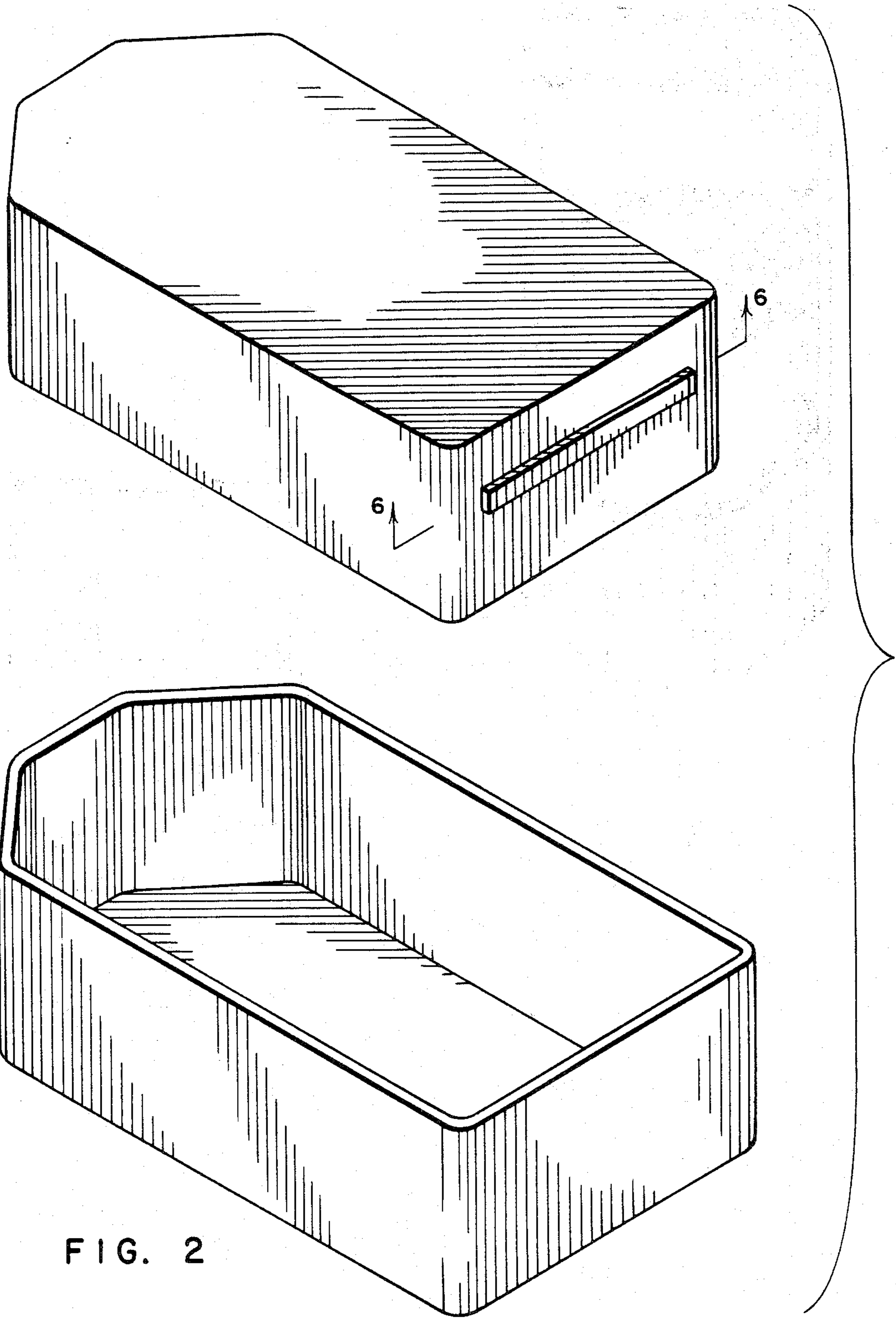


FIG. 2

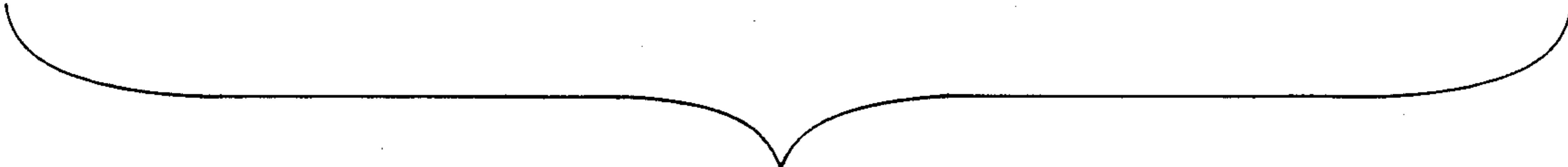
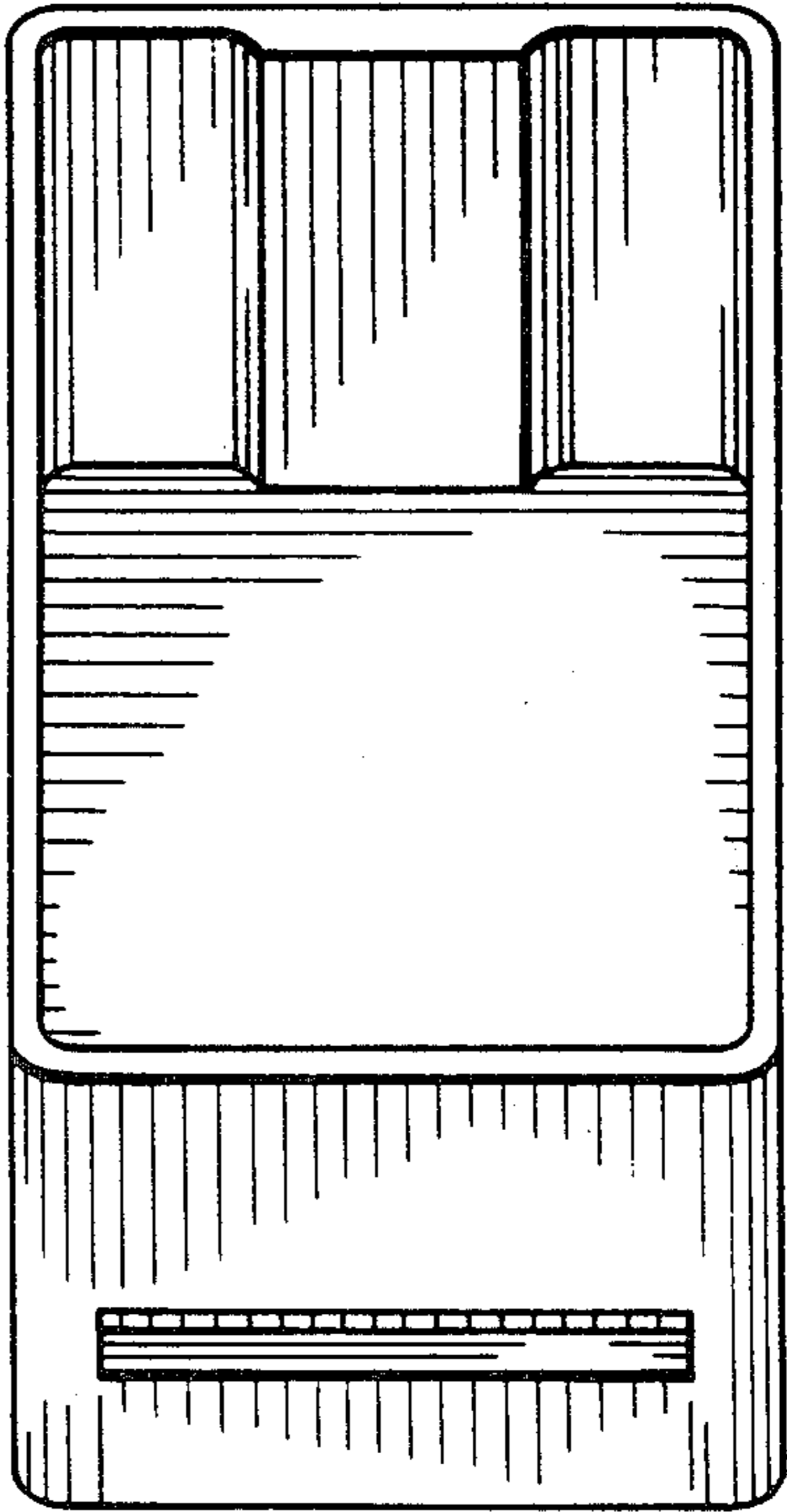
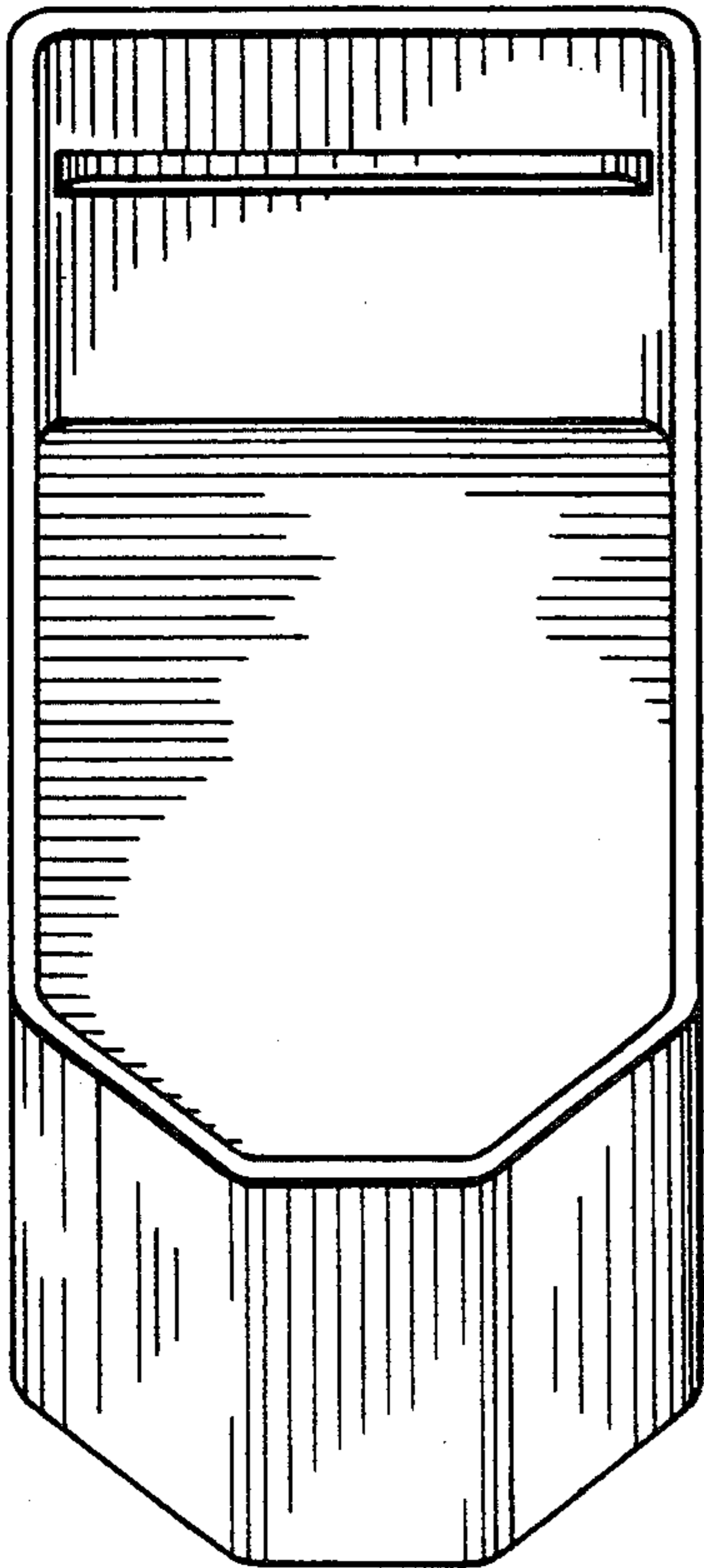


FIG. 3

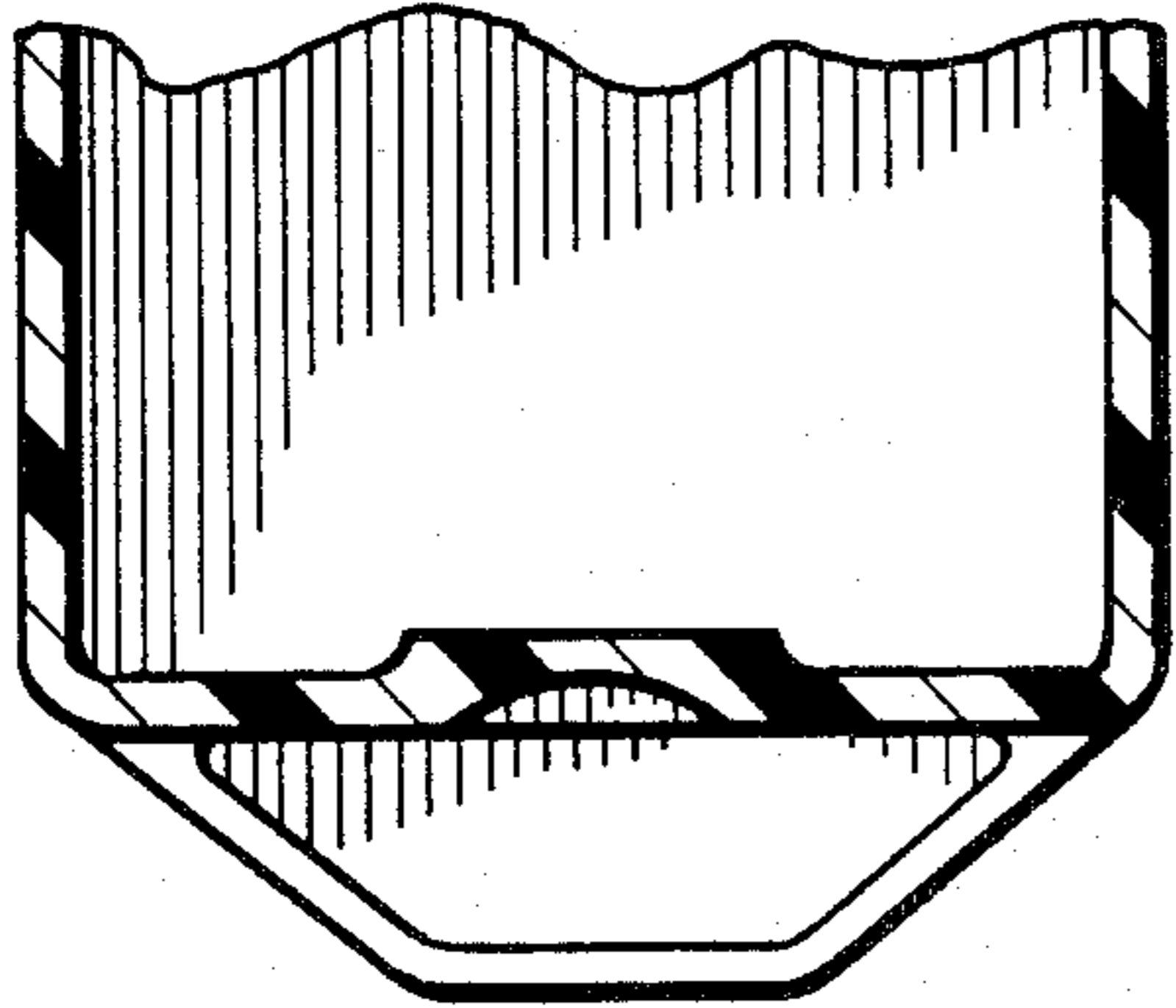


FIG. 4

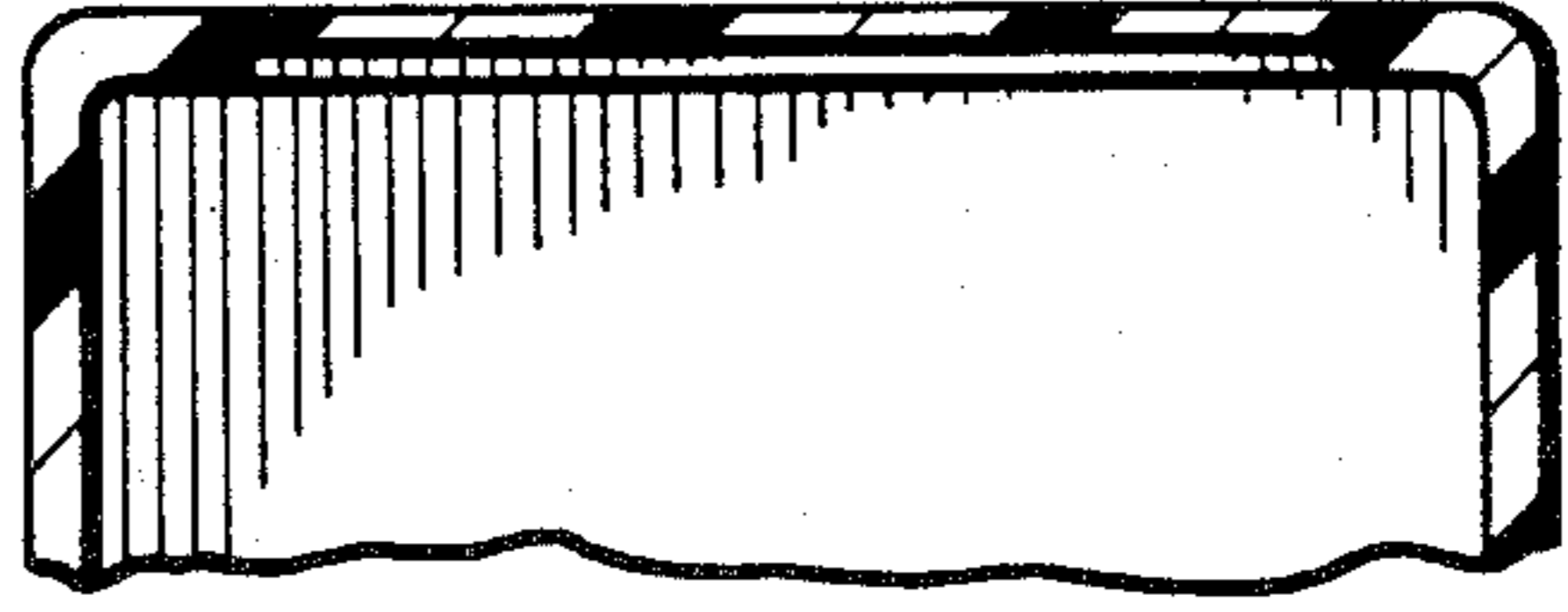


FIG. 5

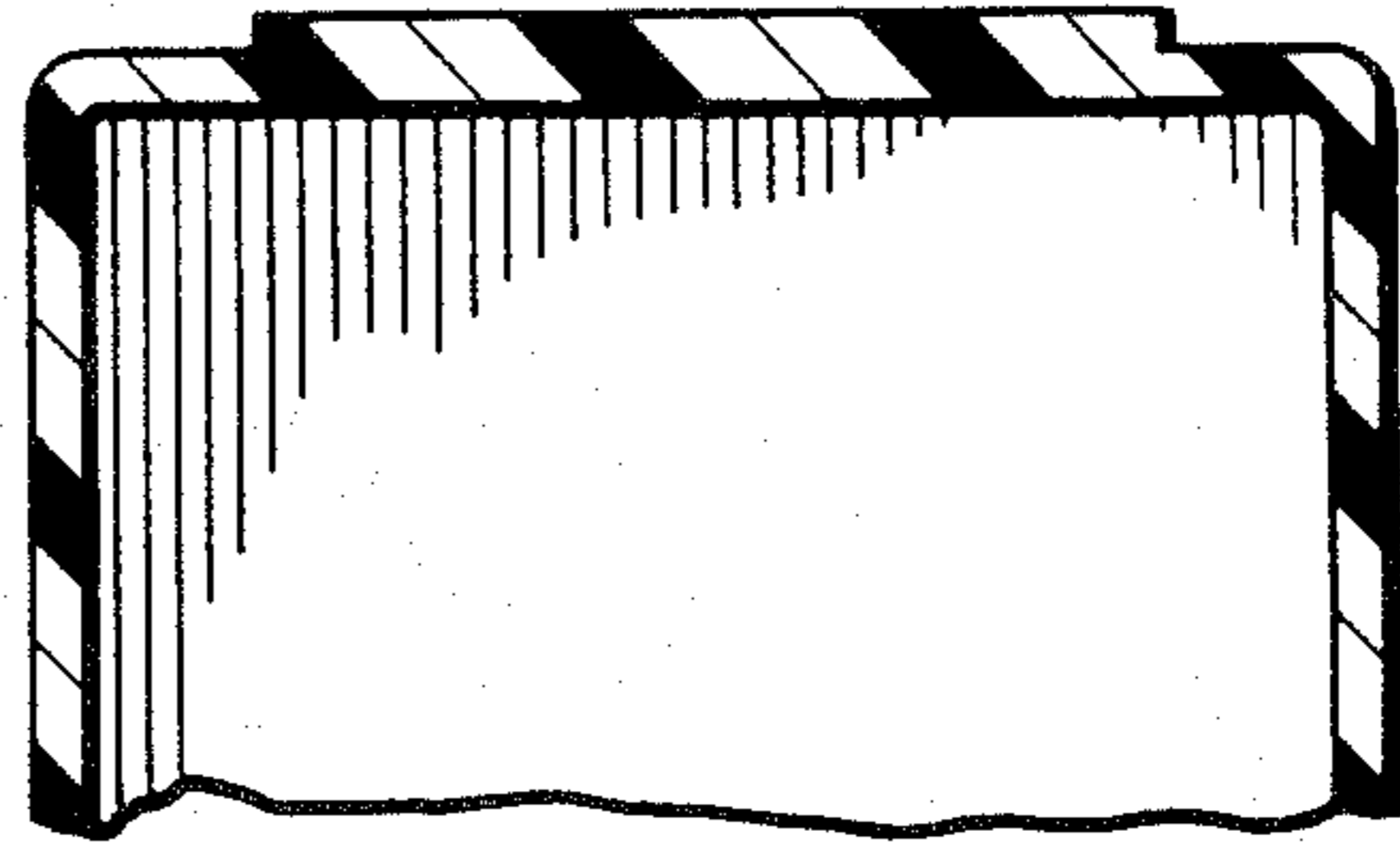


FIG. 6

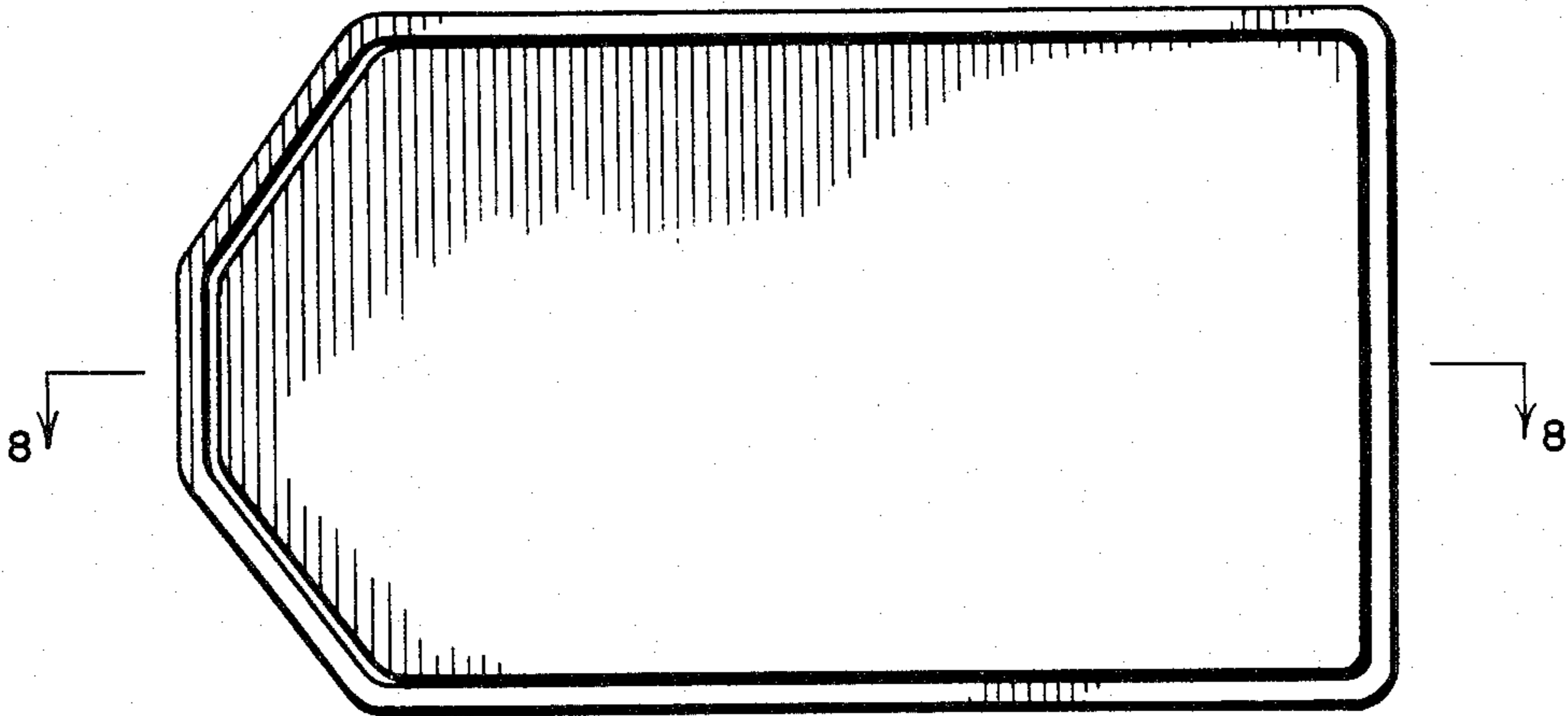


FIG. 7

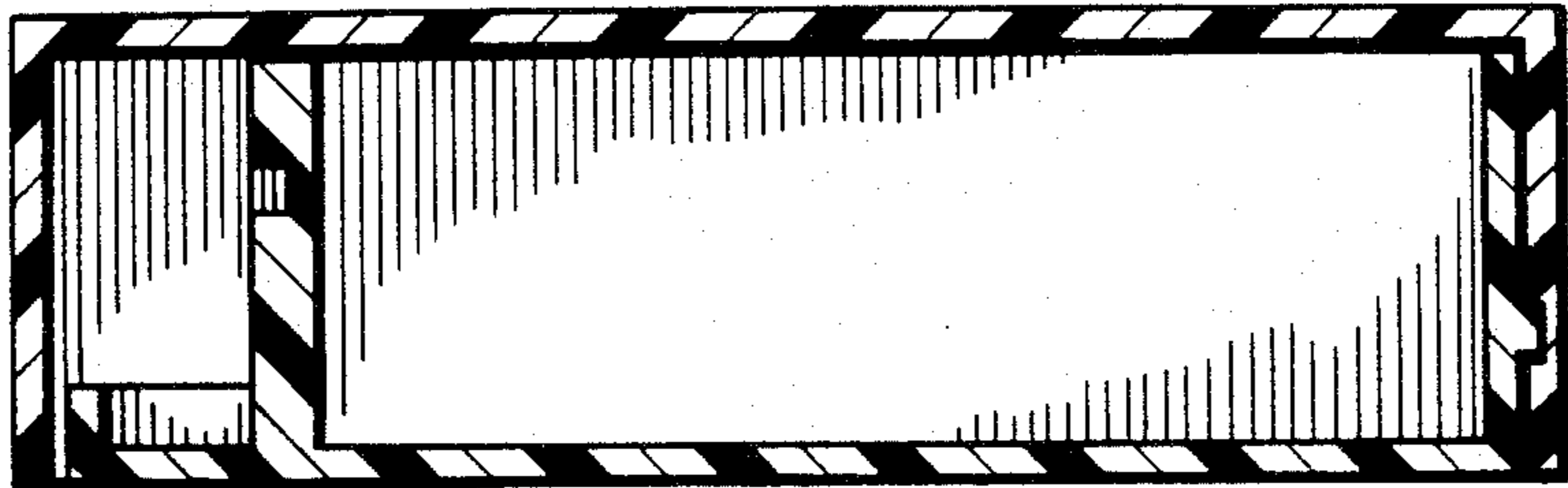


FIG. 8