

[54] ARTICULATED MATERIAL HANDLING VEHICLE

[75] Inventors: **Ralph C. Lanphere**, Racine; **Paul G. Nelson**, Milwaukee; **Jerry A. Waite**, Racine, all of Wis.

[73] Assignee: **J. I. Case Company**, Racine, Wis.

[**] Term: **14 Years**

[21] Appl. No.: **357,539**

[22] Filed: **Mar. 12, 1982**

[52] U.S. Cl. **D34/34**

[58] Field of Search **D34/34; 212/182, 184, 212/187-189; 232; 414/687, 718**

[56] **References Cited**

U.S. PATENT DOCUMENTS

D. 205,031 6/1966 Grove D34/34
3,856,149 12/1974 Shaw 212/189

OTHER PUBLICATIONS

Modern Railroads, 8/71, p. 64, Galion Model 80 Mobile Crane, bottom right side of page.
Hy-Dynamic Model 250-C Brochure, Model 250-C Crane, front cover.

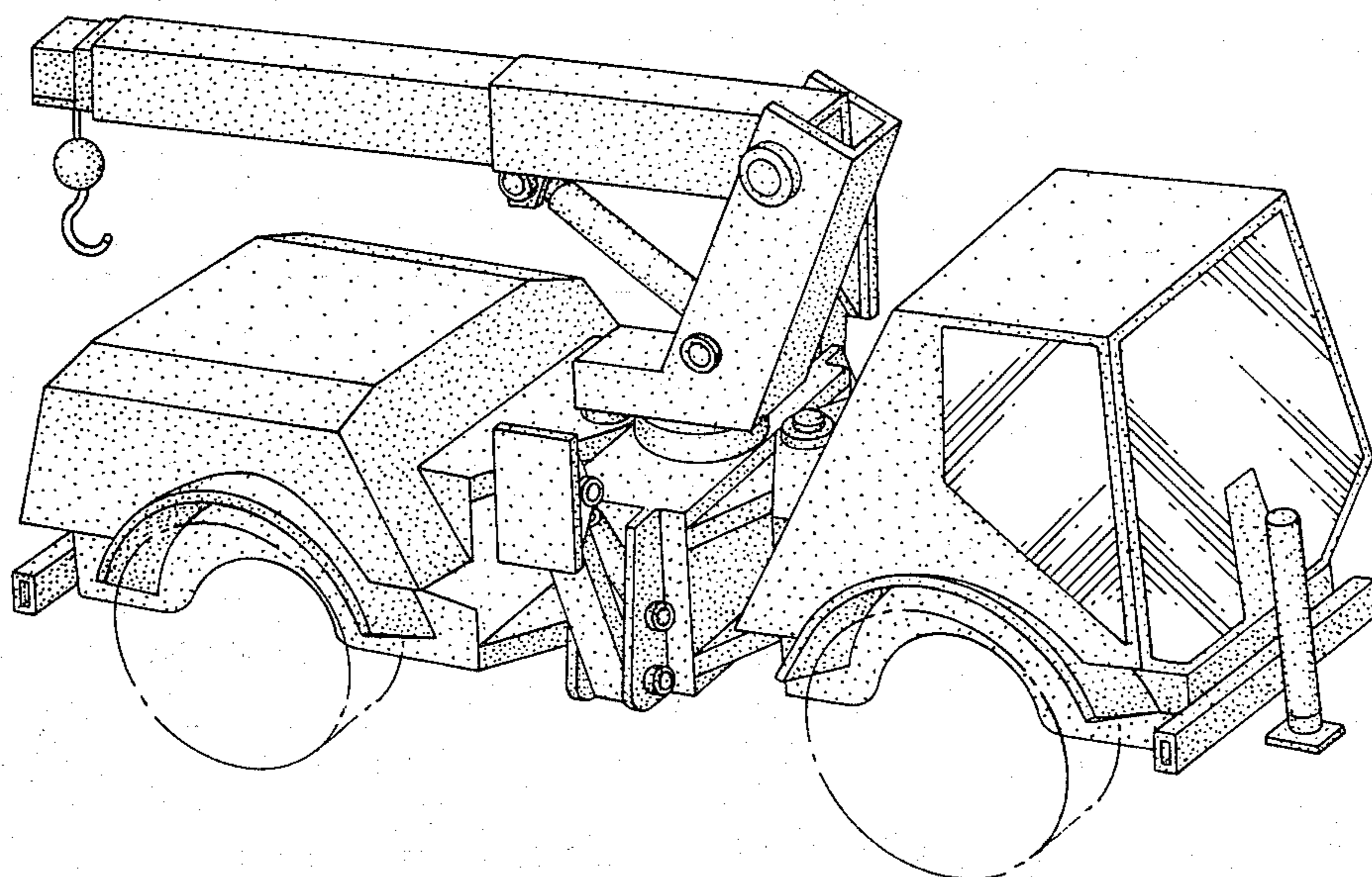
Primary Examiner—James M. Gandy
Attorney, Agent, or Firm—Cullen, Sloman, Cantor, Grauer, Scott & Rutherford

[57] **CLAIM**

The ornamental design for an articulated material handling vehicle, as shown and described.

DESCRIPTION

FIG. 1 is a right side elevational view of an articulated material handling vehicle showing our new design.
FIG. 2 is a left side elevational view thereof.
FIG. 3 is a top plan view thereof.
FIG. 4 is a front end elevational view thereof.
FIG. 5 is a rear end elevational view thereof.
FIG. 6 is a perspective view thereof.



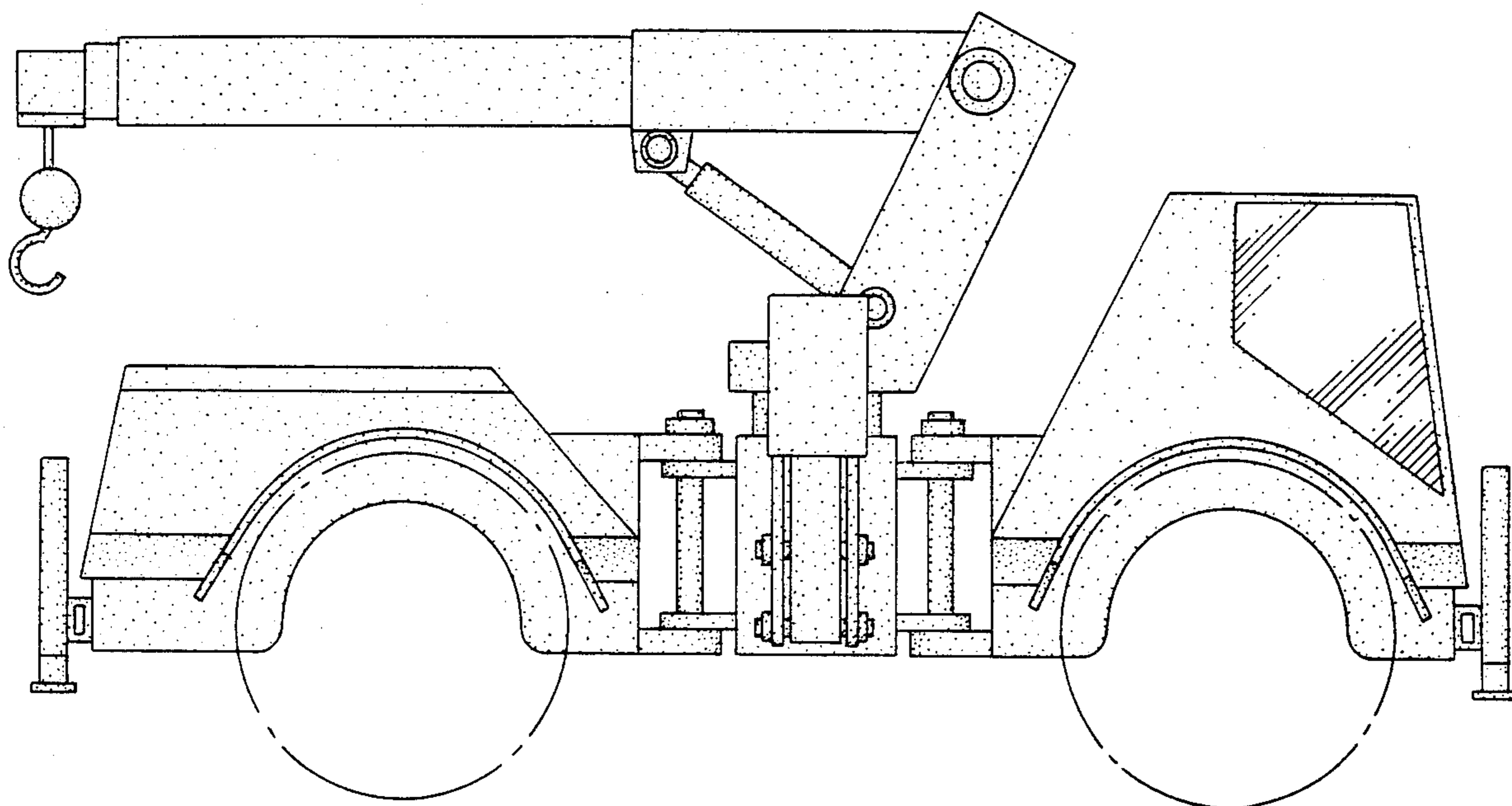


FIG. 1

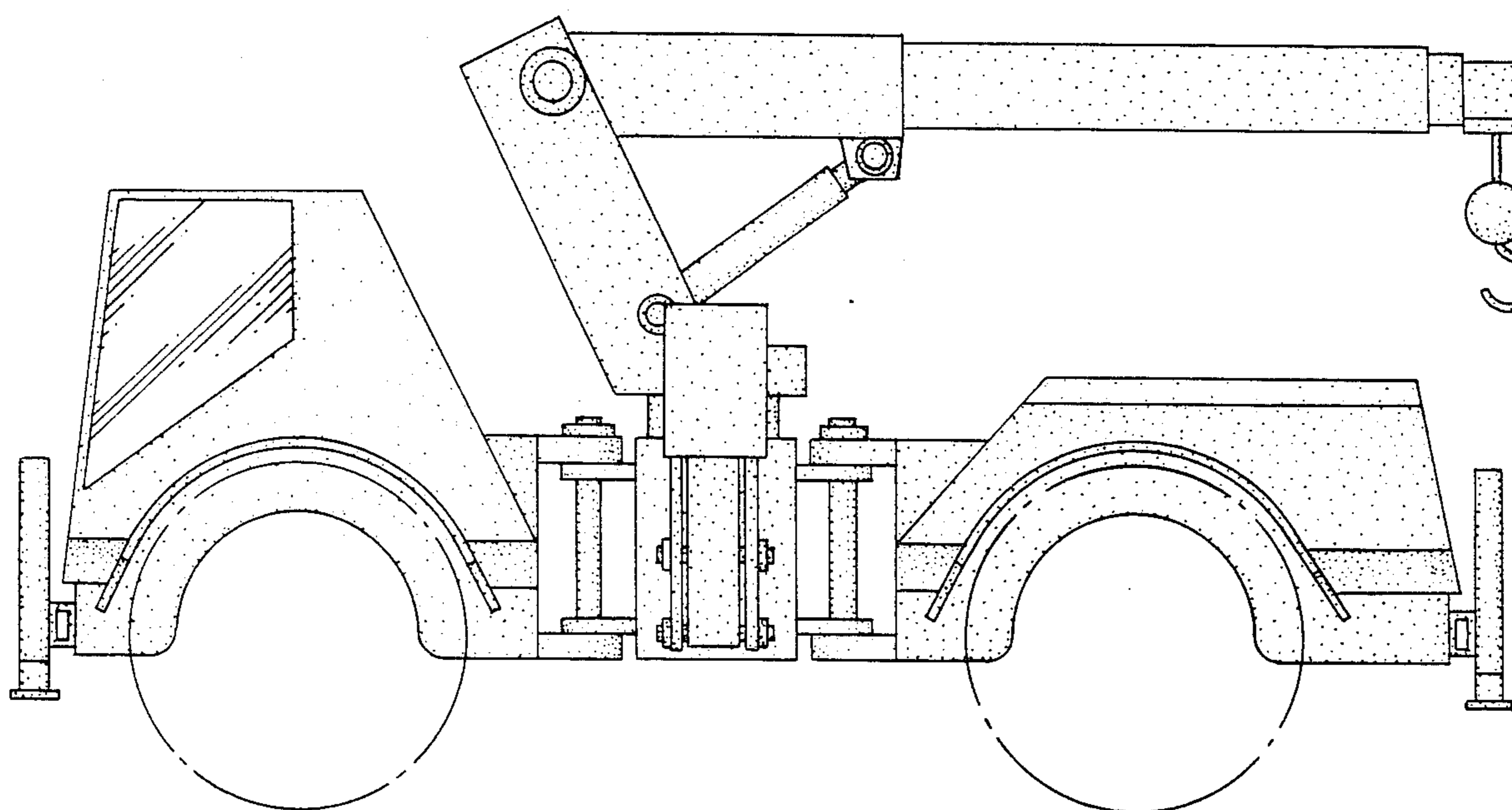


FIG. 2

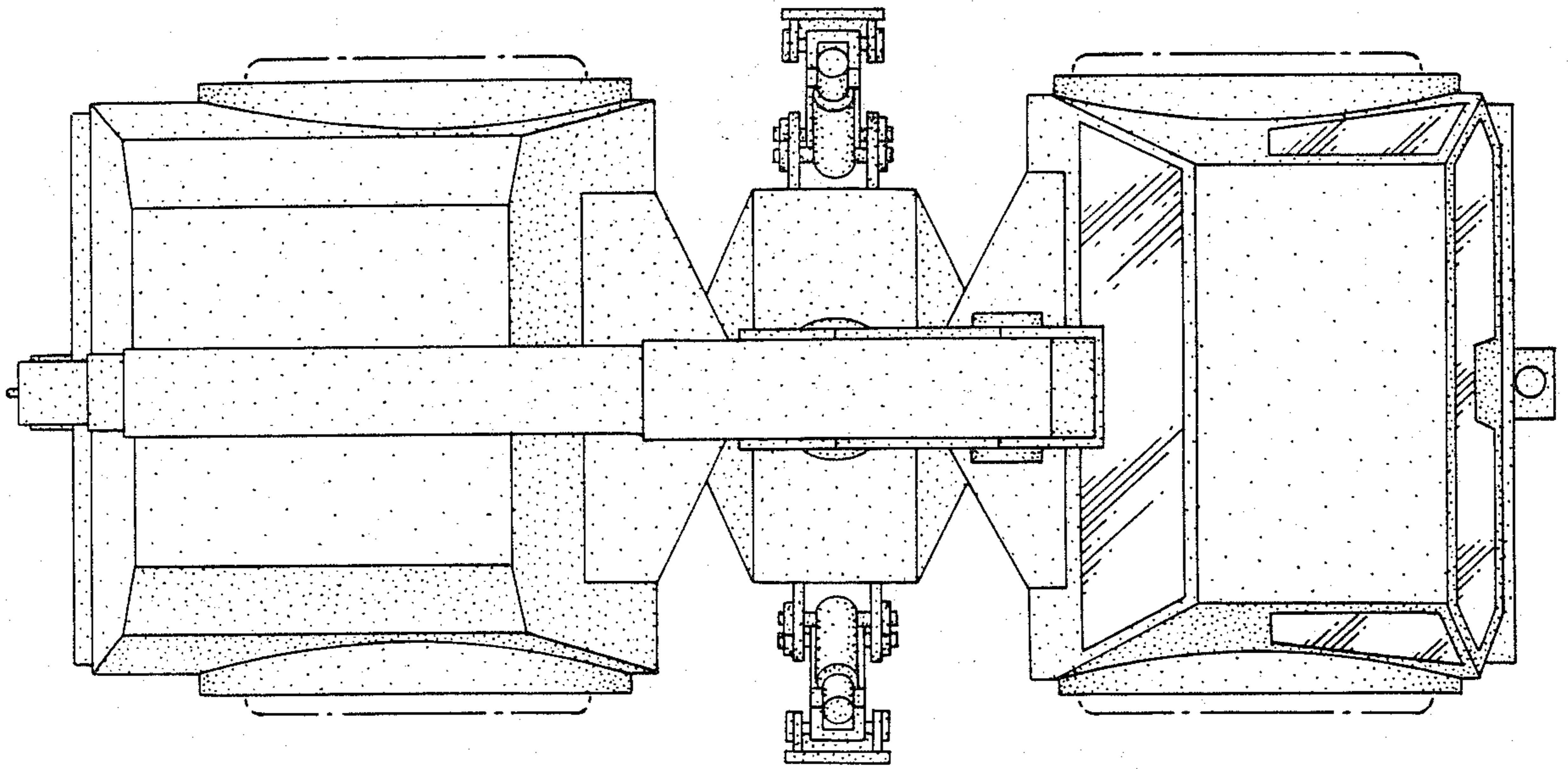


FIG. 3

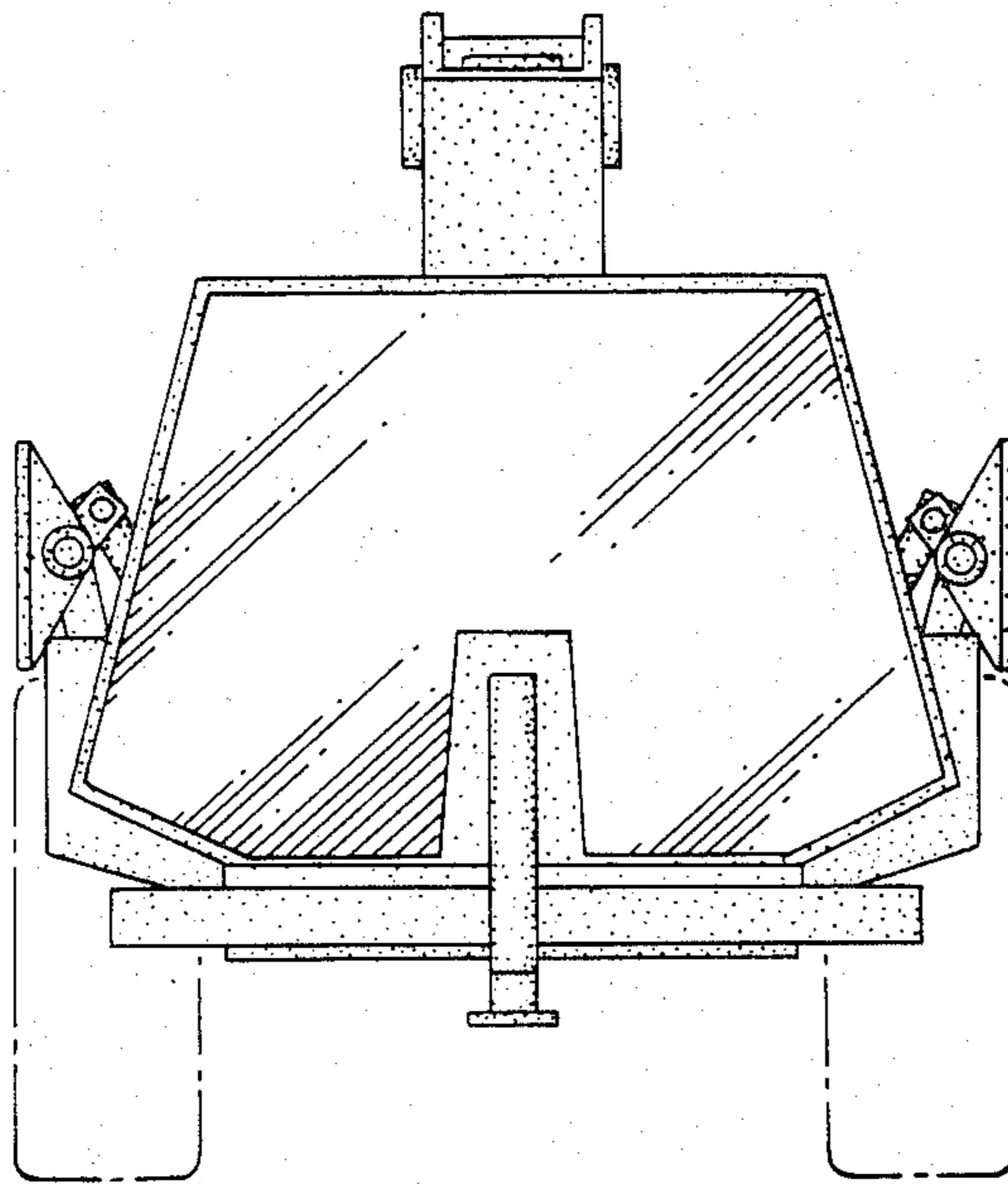


FIG. 4

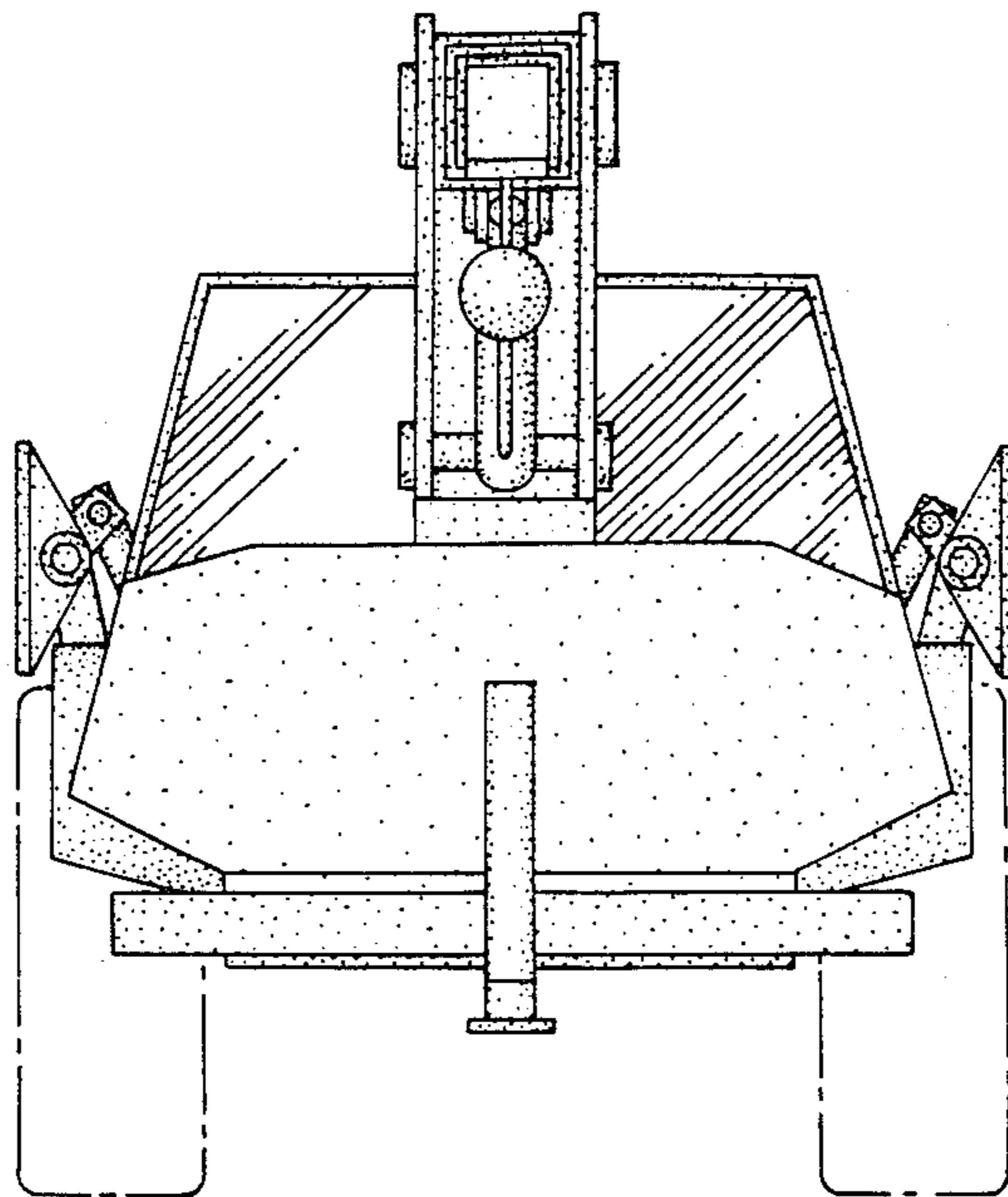


FIG. 5

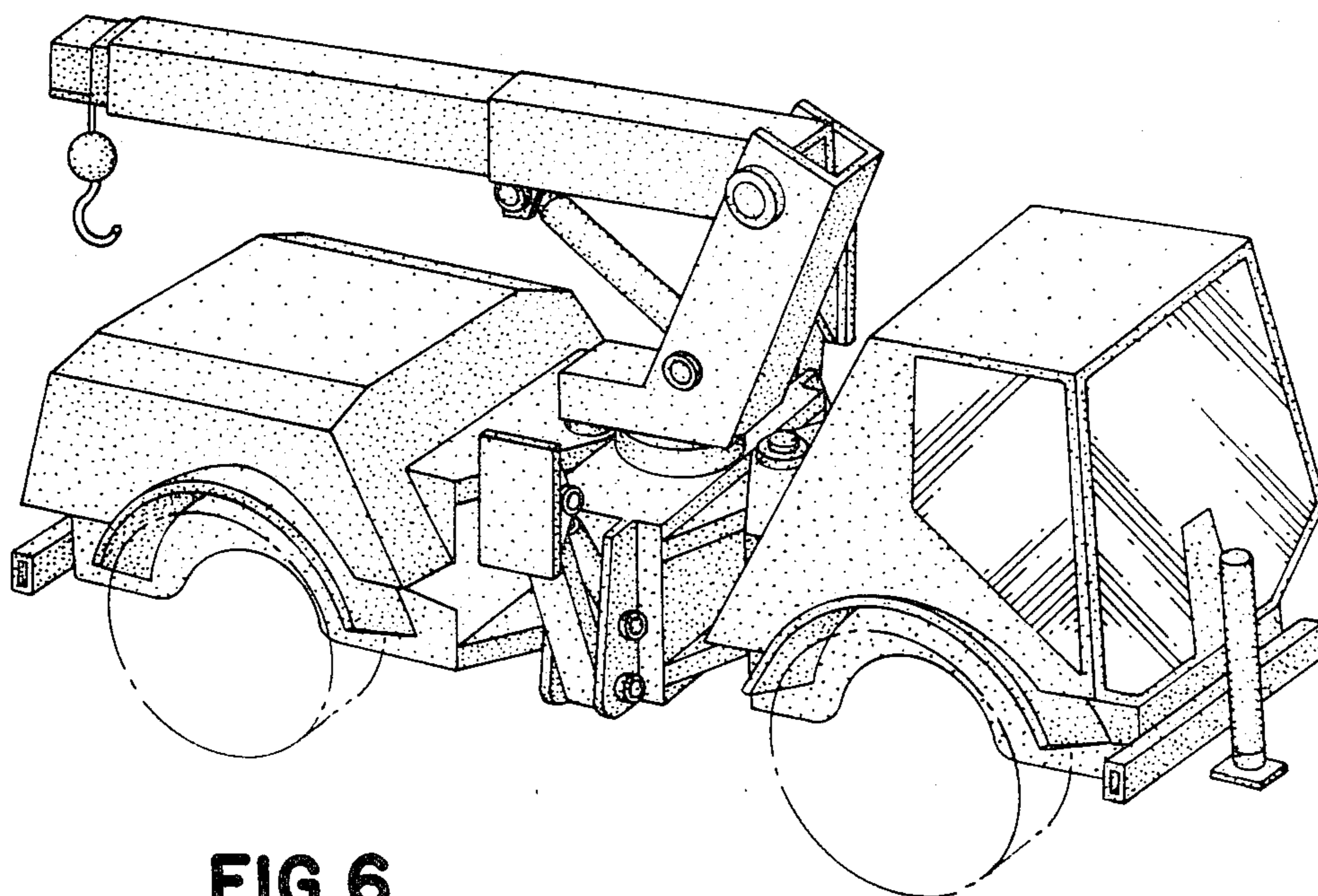


FIG. 6