

United States Patent [19]

Hoesch

[11] Patent Number: **Des. 277,792**

[45] Date of Patent: **** Feb. 26, 1985**

[54] **FLOOR CLEANER HEAD**

[75] Inventor: **Christoph Hoesch, Essen, Fed. Rep. of Germany**

[73] Assignee: **Vorwerk & Co Elektrowerke KG, Wuppertal, Fed. Rep. of Germany**

[**] Term: **14 Years**

[21] Appl. No.: **342,170**

[22] Filed: **Jan. 25, 1982**

[30] **Foreign Application Priority Data**

Jul. 27, 1981 [DE] Fed. Rep. of Germany ... 54 MR 14 534

[52] U.S. Cl. **D32/15; D32/21; D32/31**

[58] Field of Search **D32/20, 21, 22, 32, D32/33, 25, 31; 15/319, 320, 321, 322, 323, 324, 325, 326, 327 R, 327 D, 327 E, 300 R, 257 A, 415 R**

[56] **References Cited**

U.S. PATENT DOCUMENTS

D. 238,139 12/1975 Goodrich D32/31
D. 253,054 10/1979 Stevens et al. D32/33

D. 262,539 1/1982 Wareham D32/22
D. 262,708 1/1982 Essex D32/21
D. 269,558 6/1983 Essex D32/22

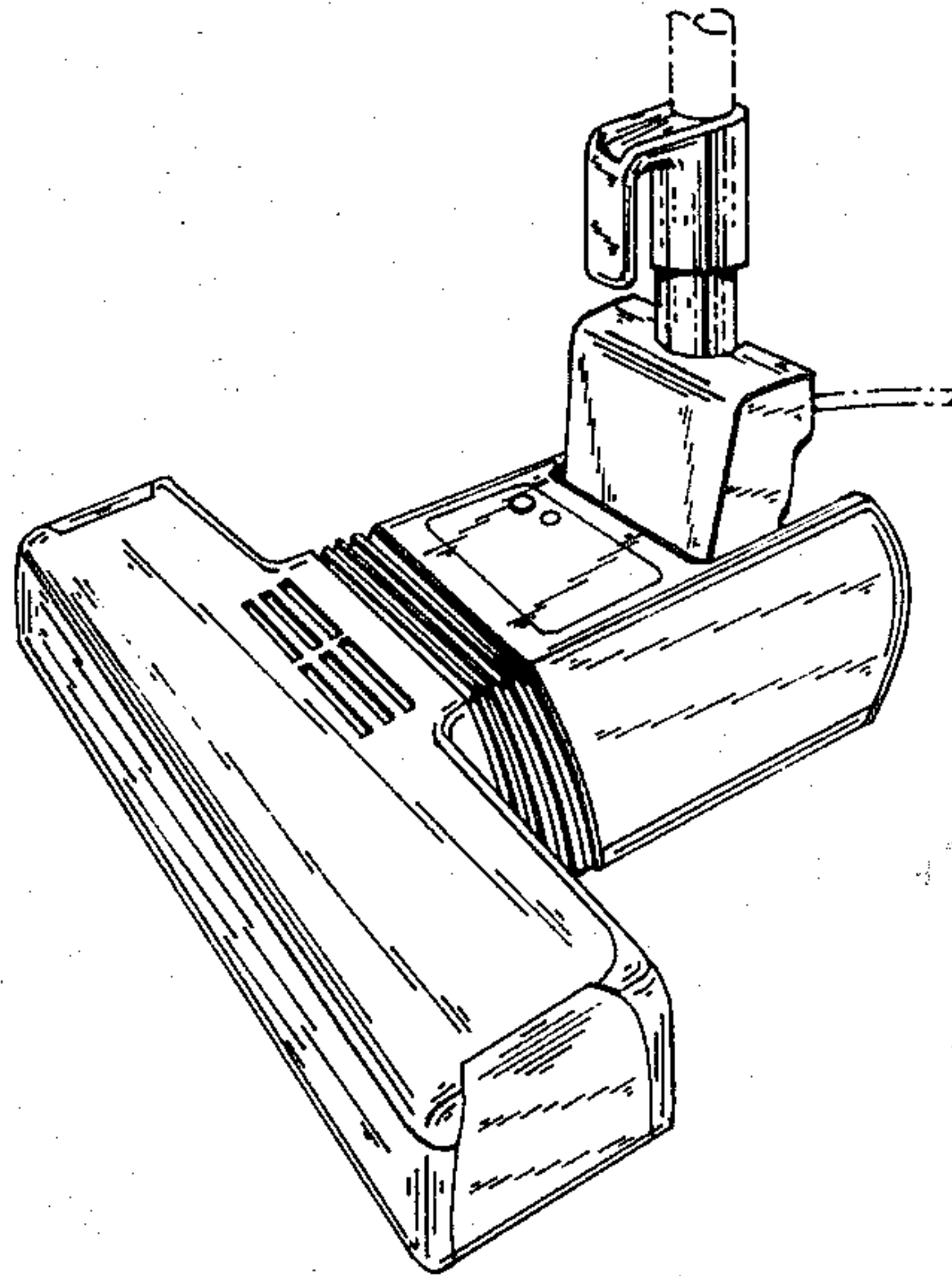
Primary Examiner—A. Hugo Word
Assistant Examiner—Lynn Wilder
Attorney, Agent, or Firm—Michael J. Striker

[57] **CLAIM**

The ornamental design for a floor cleaner head, substantially as shown and described.

DESCRIPTION

FIG. 1 is a front elevational view of a floor cleaner head embodying my new design;
FIG. 2 is a rear elevational view thereof;
FIG. 3 is a left side elevational view thereof;
FIG. 4 is a right side elevational view thereof;
FIG. 5 is a top plan view thereof; and
FIG. 6 is a bottom plan view thereof.
FIG. 7 is a front perspective view on a reduced scale thereof;
FIG. 8 is a rear perspective view on a reduced scale thereof.
The broken line disclosure shown in all views is for illustrative purposes only and forms no part of the claimed design.



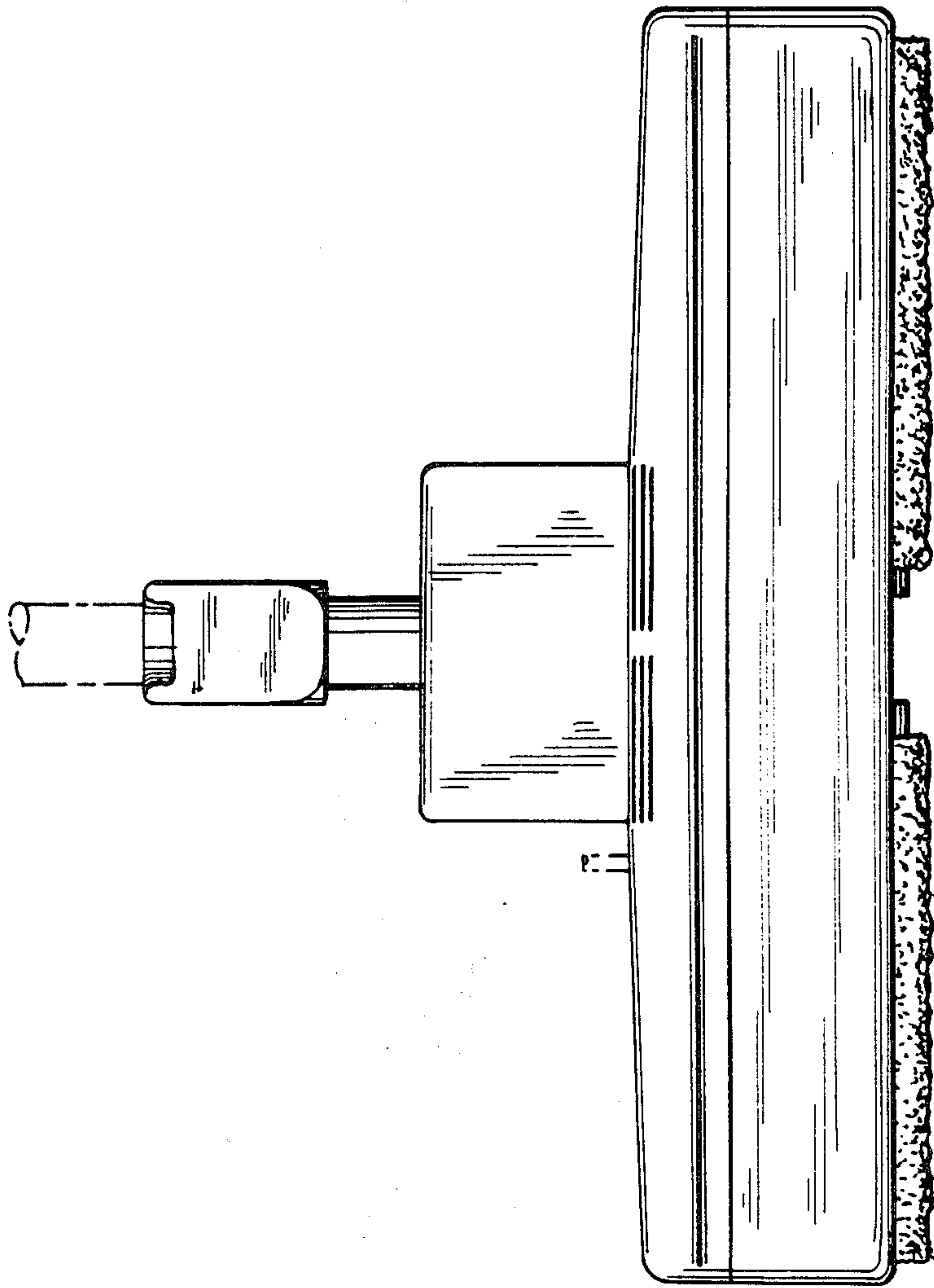


FIG. 1

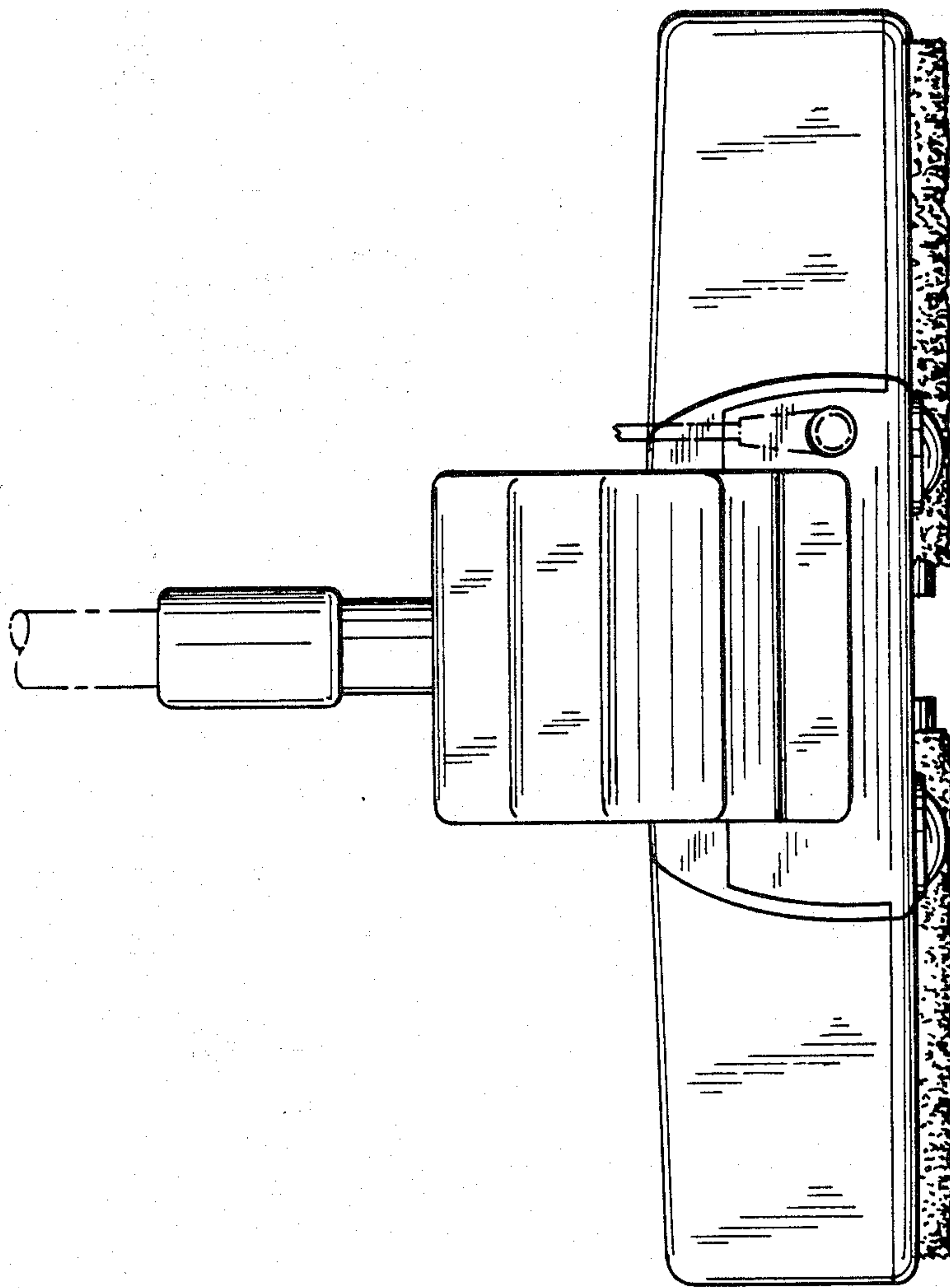


FIG. 2

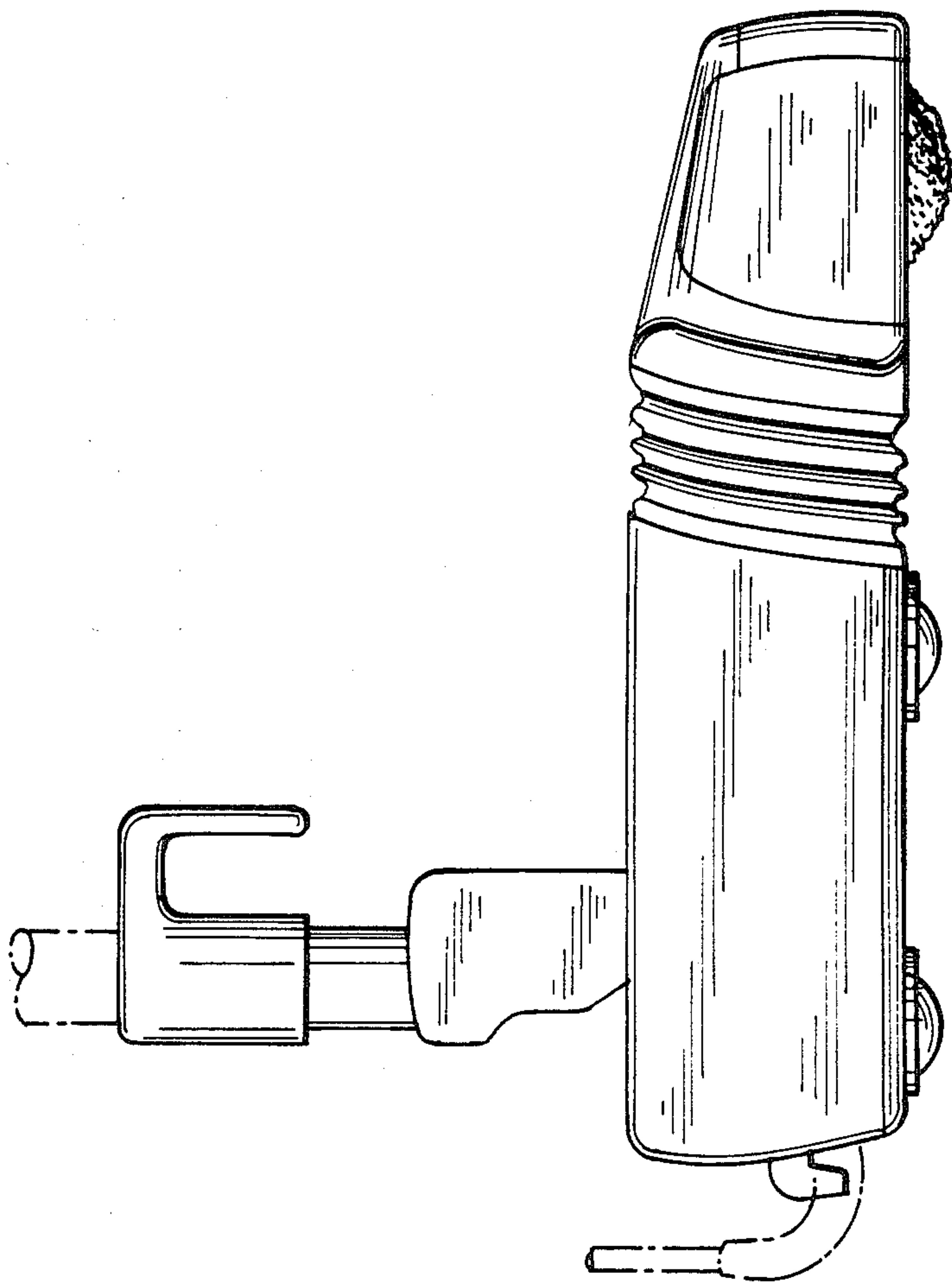


FIG. 3

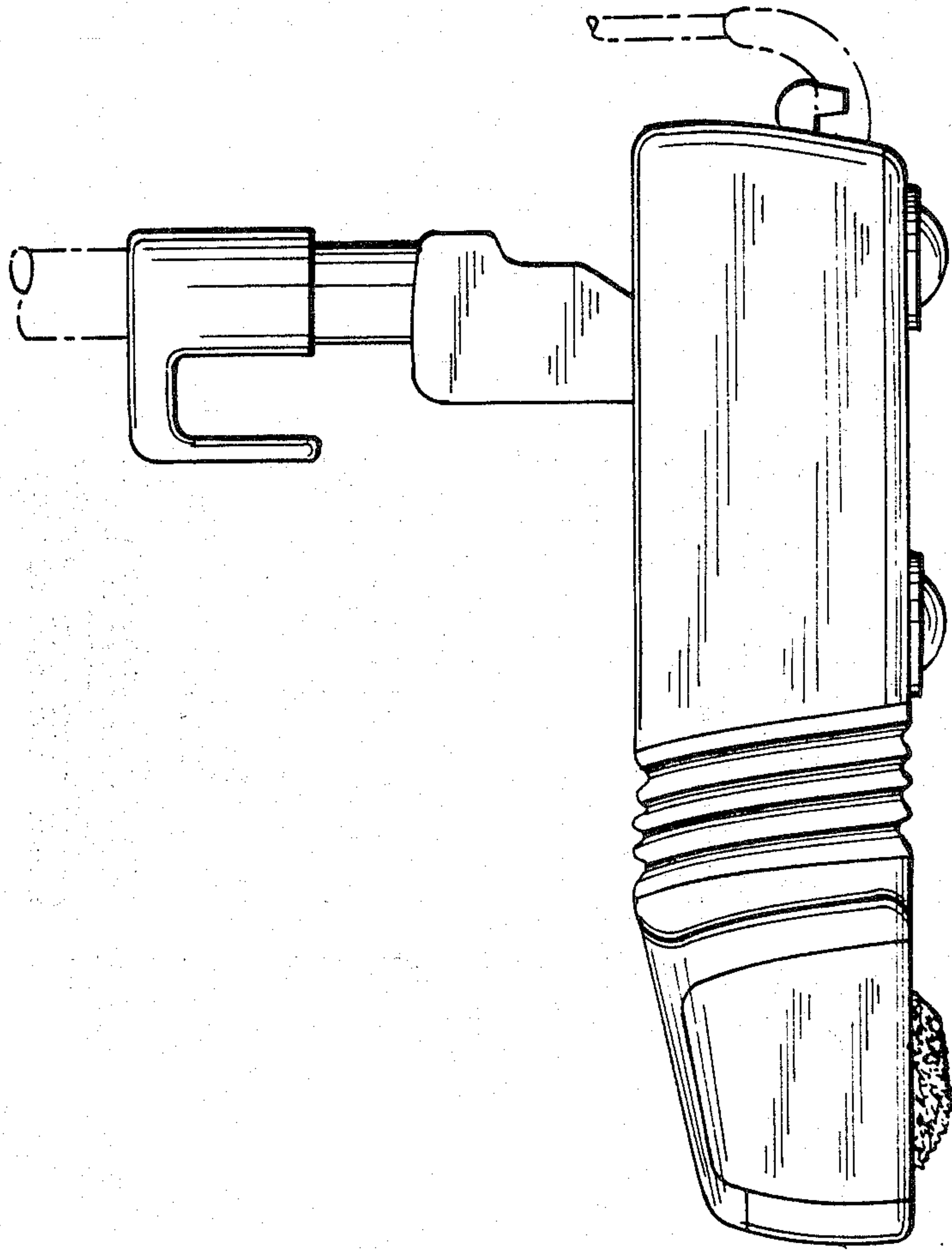


FIG. 4

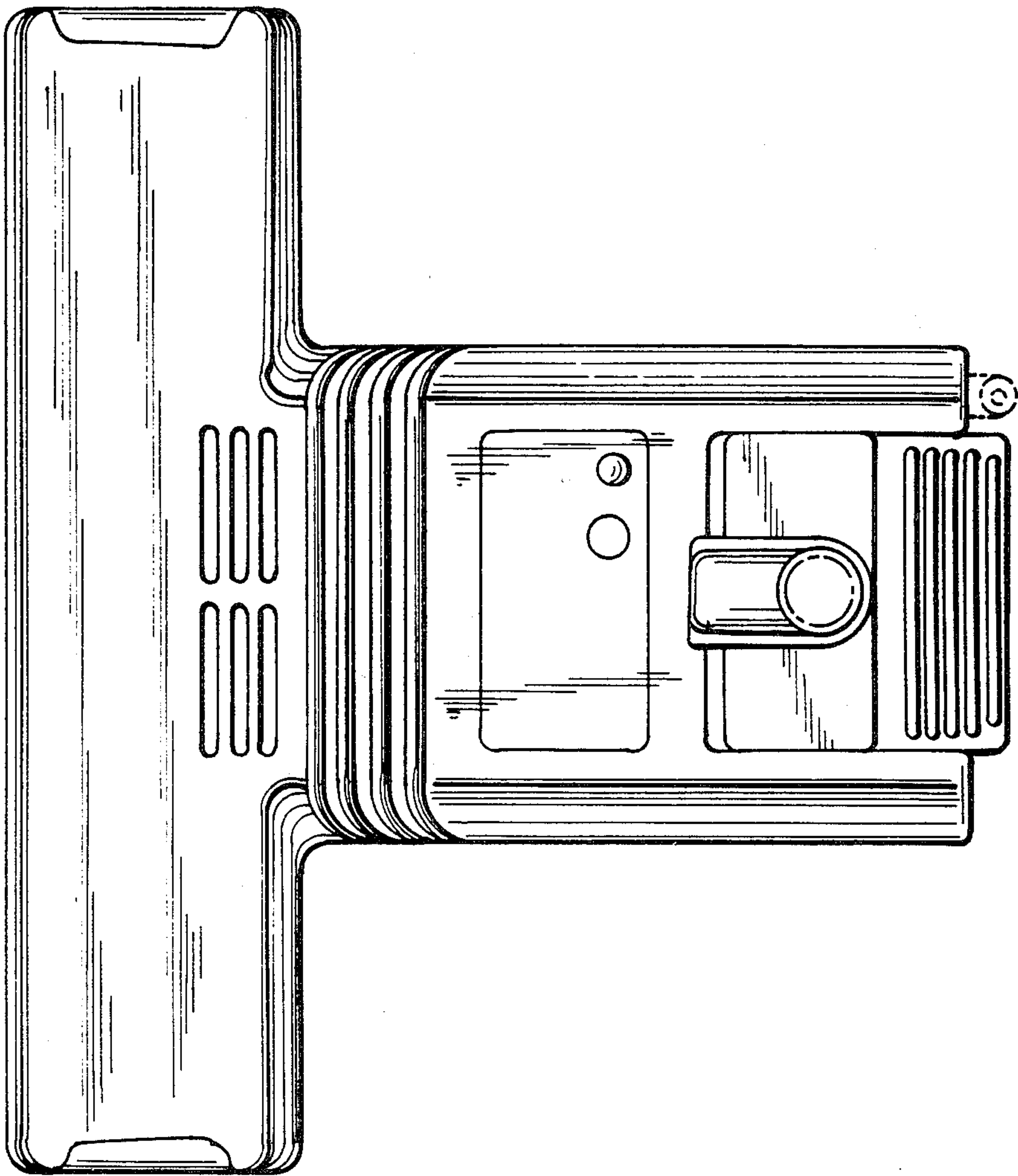


FIG. 5

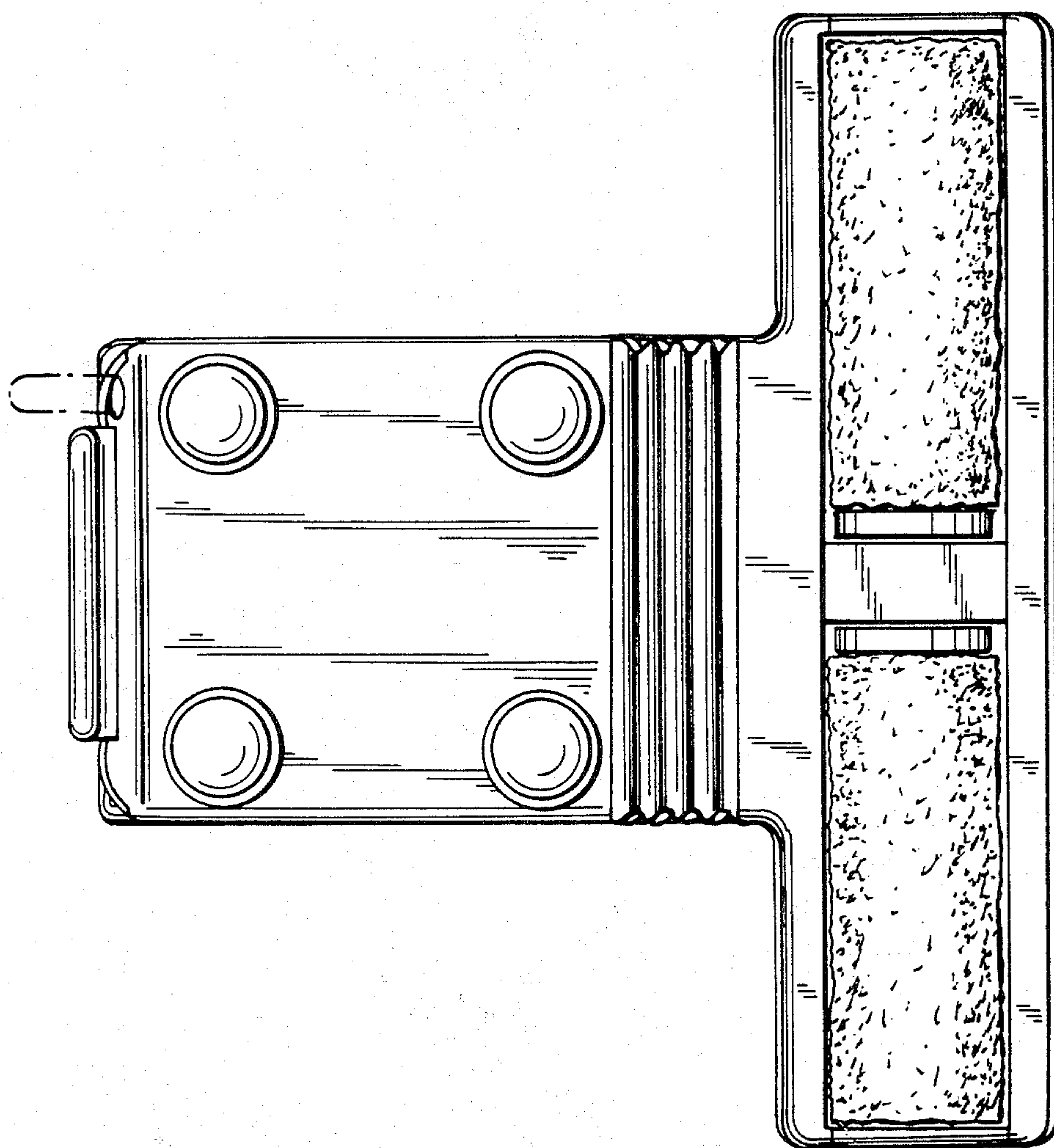


FIG. 6

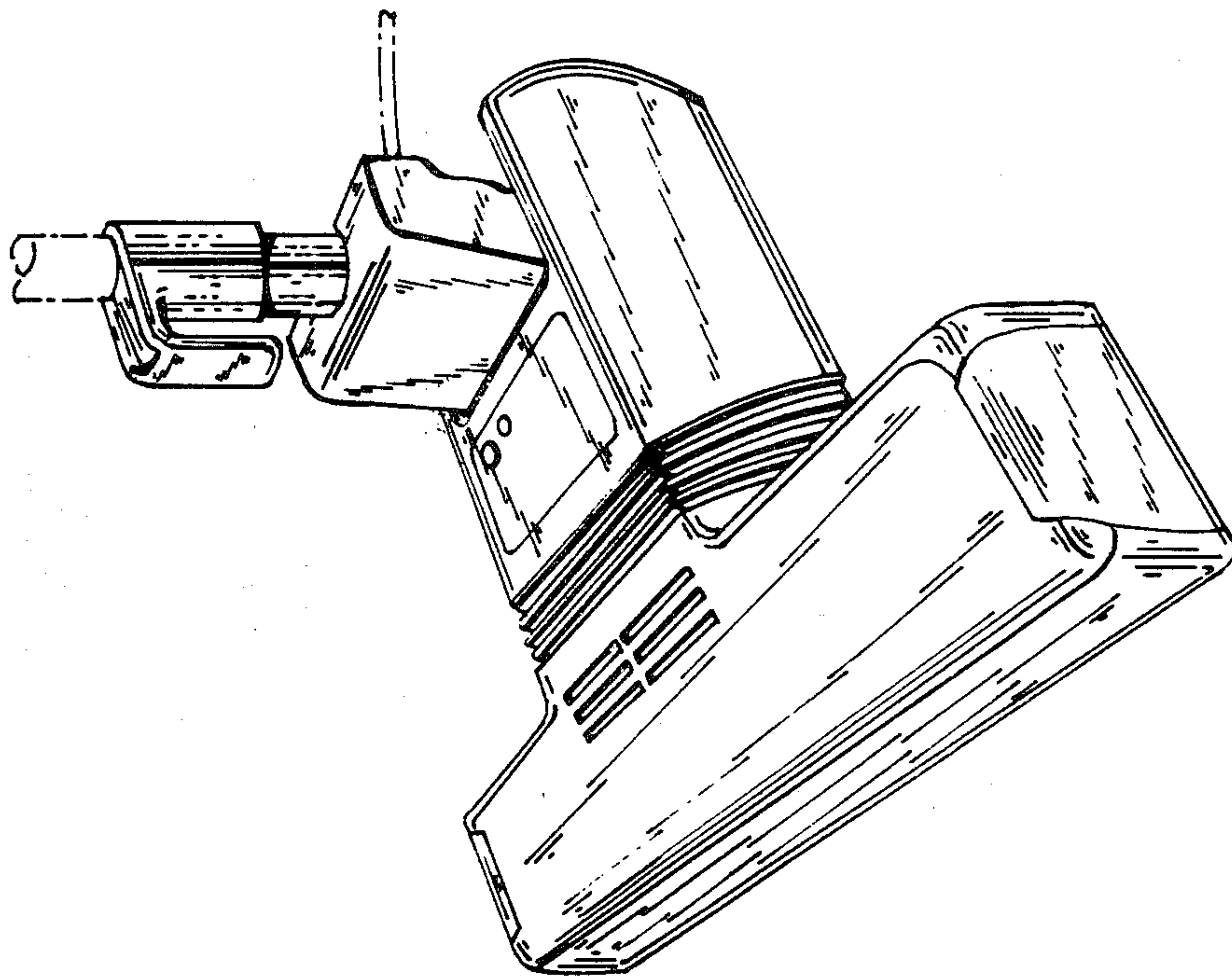


FIG. 7

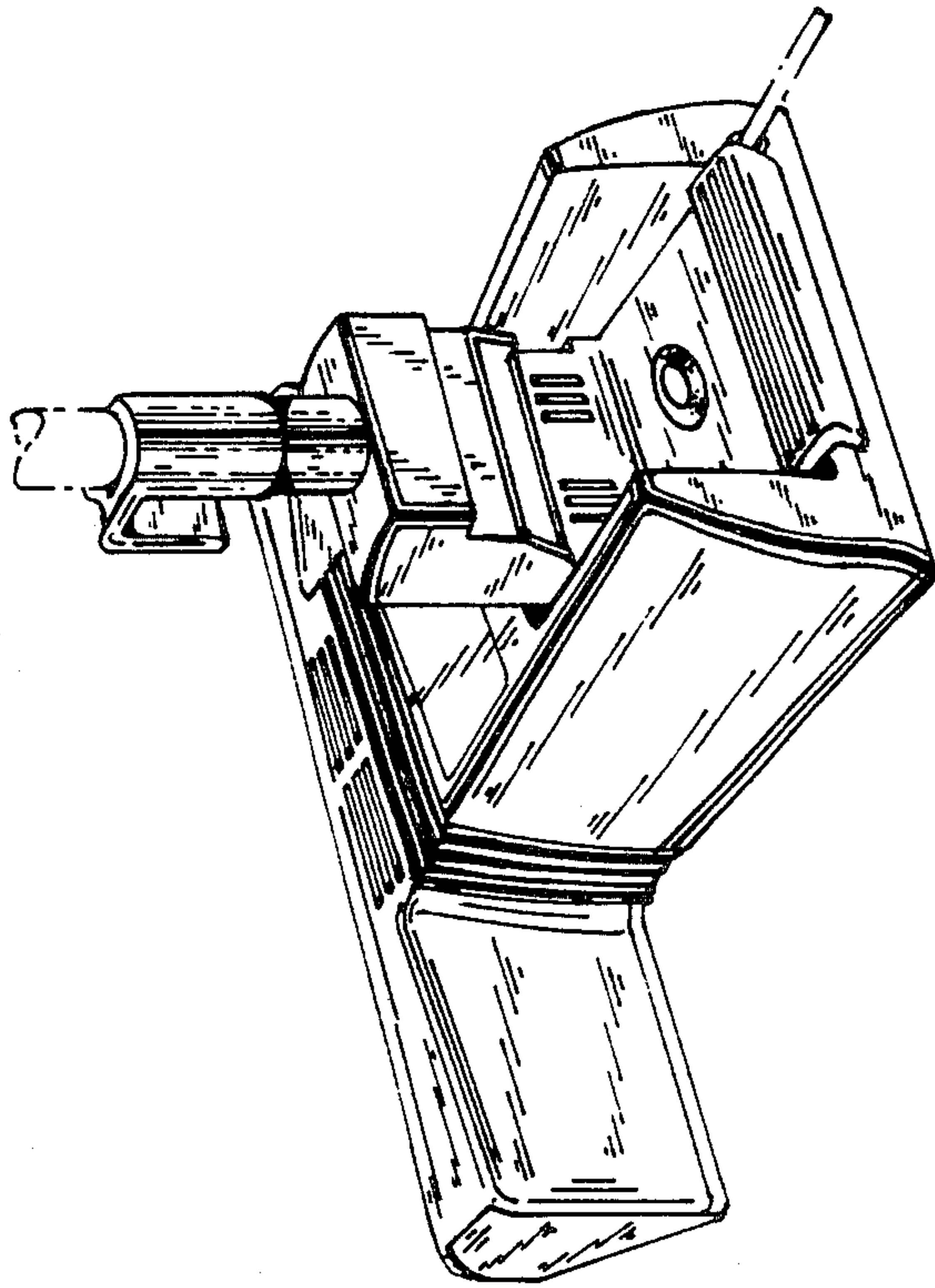


FIG. 8