

[54] LESSER TOE METATARSAL PHALANGEAL IMPLANT

[75] Inventors: Thomas E. Sgarlato, Los Gatos; James M. Christensen, San Diego, both of Calif.

[73] Assignee: Sutter Biomedical, Inc., San Diego, Calif.

[**] Term: 14 Years

[21] Appl. No.: 392,360

[22] Filed: Jun. 25, 1982

[52] U.S. Cl. D24/33

[58] Field of Search D24/33; 3/6, 6.1, 1.9, 3/1.91, 1

[56] References Cited

U.S. PATENT DOCUMENTS

D. 243,716 3/1977 Treace et al. D24/33

3,462,765	8/1969	Swanson	3/1.91
3,593,342	7/1971	Niebauer et al.	3/1.91
3,739,403	6/1973	Nicolle	3/1.91
4,204,284	5/1980	Koeneman	3/1.91

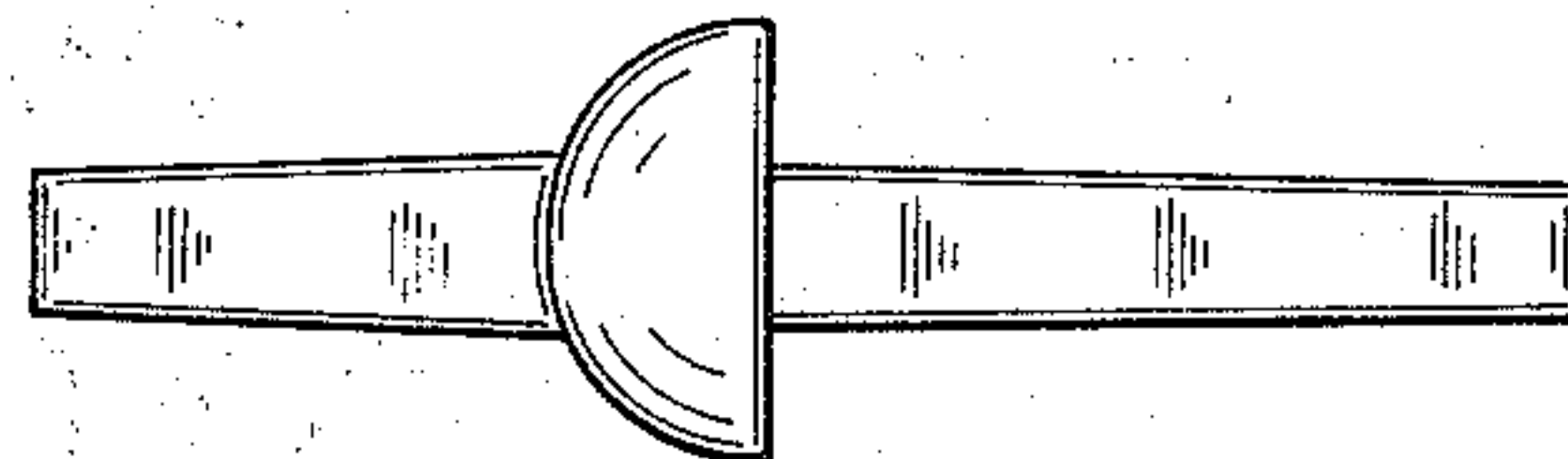
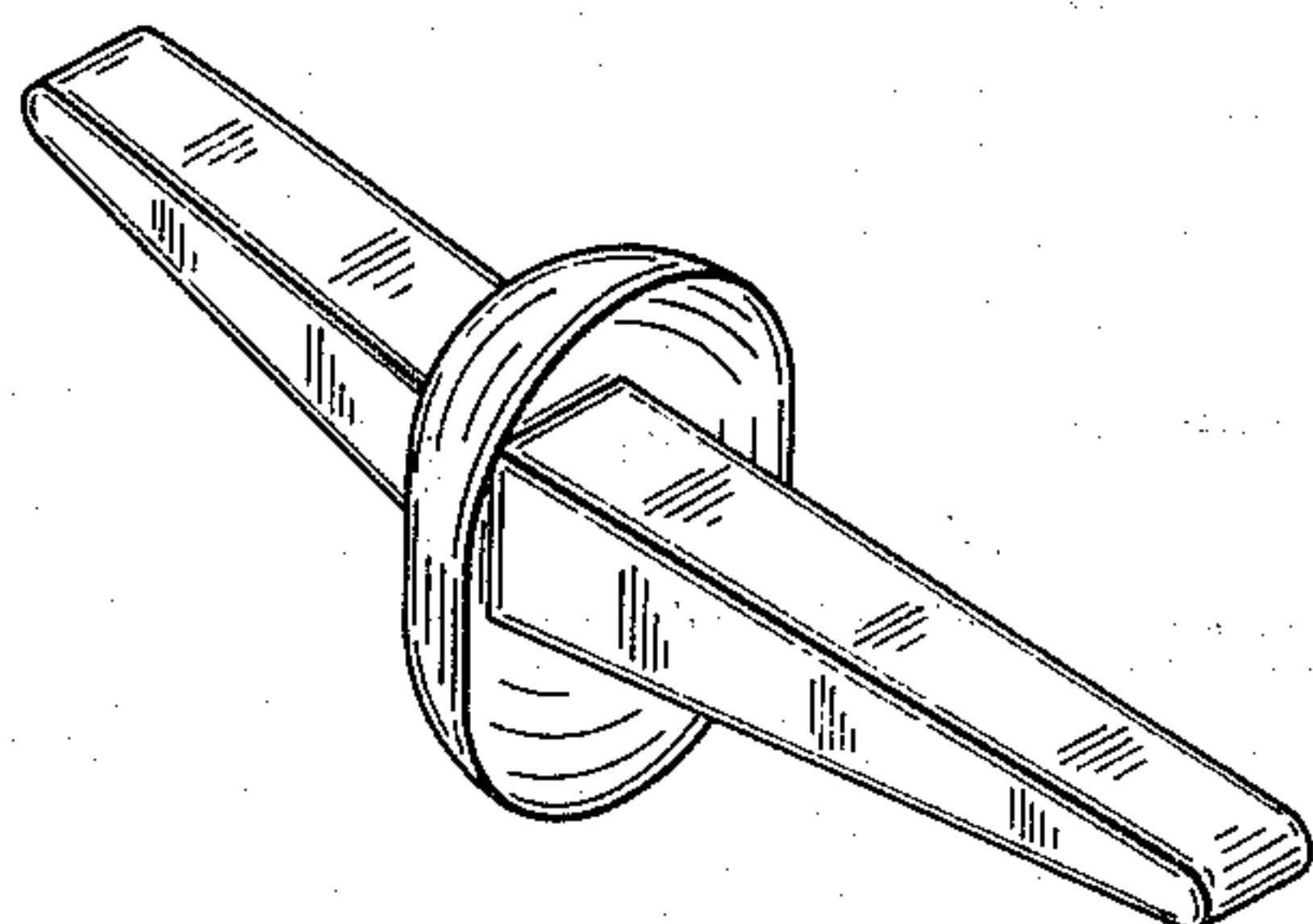
Primary Examiner—Catherine E. Kemper
Attorney, Agent, or Firm—Flehr, Hohbach, Test, Albritton & Herbert

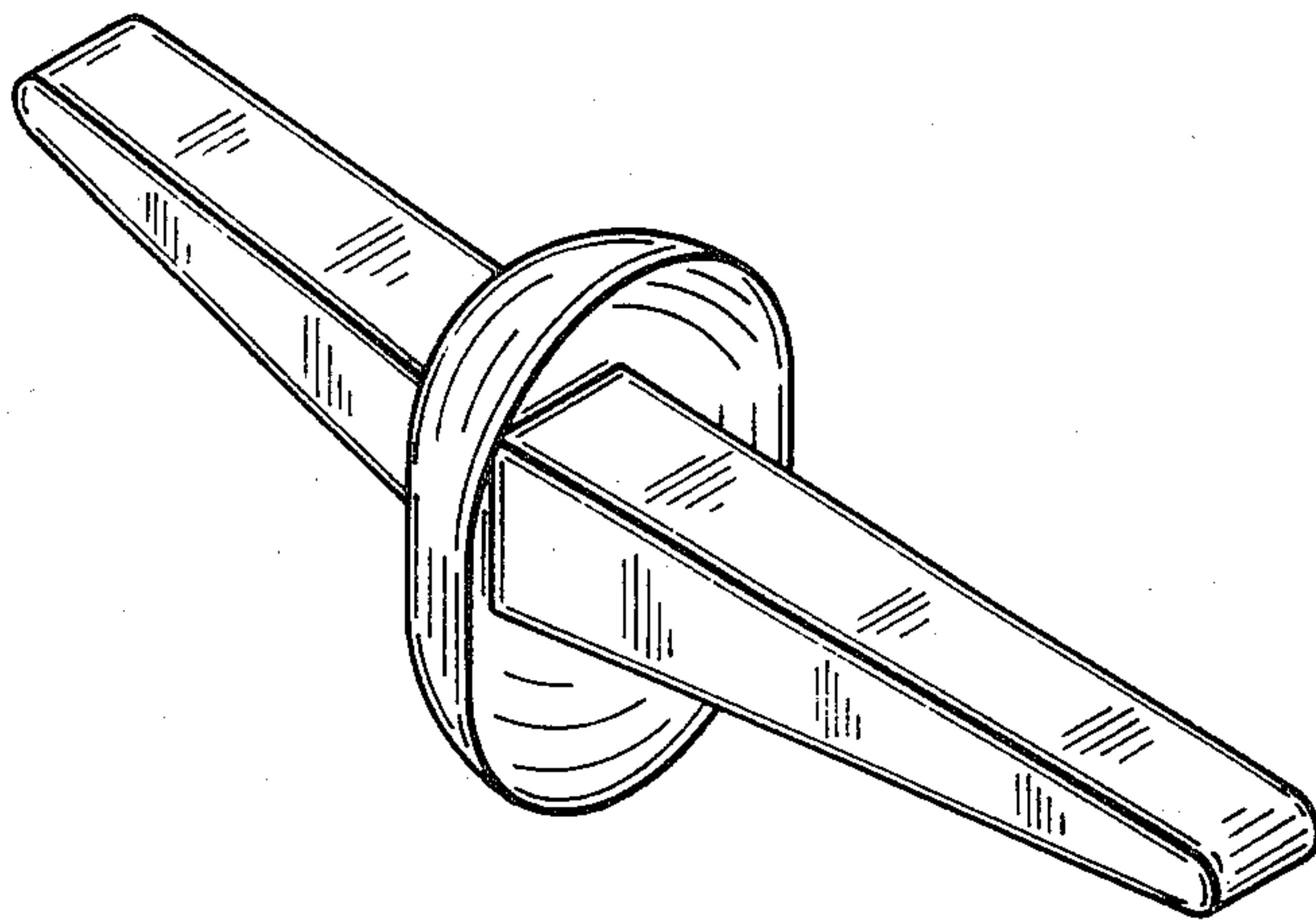
[57] CLAIM

The ornamental design for a lesser toe metatarsal phalangeal implant, as shown and described.

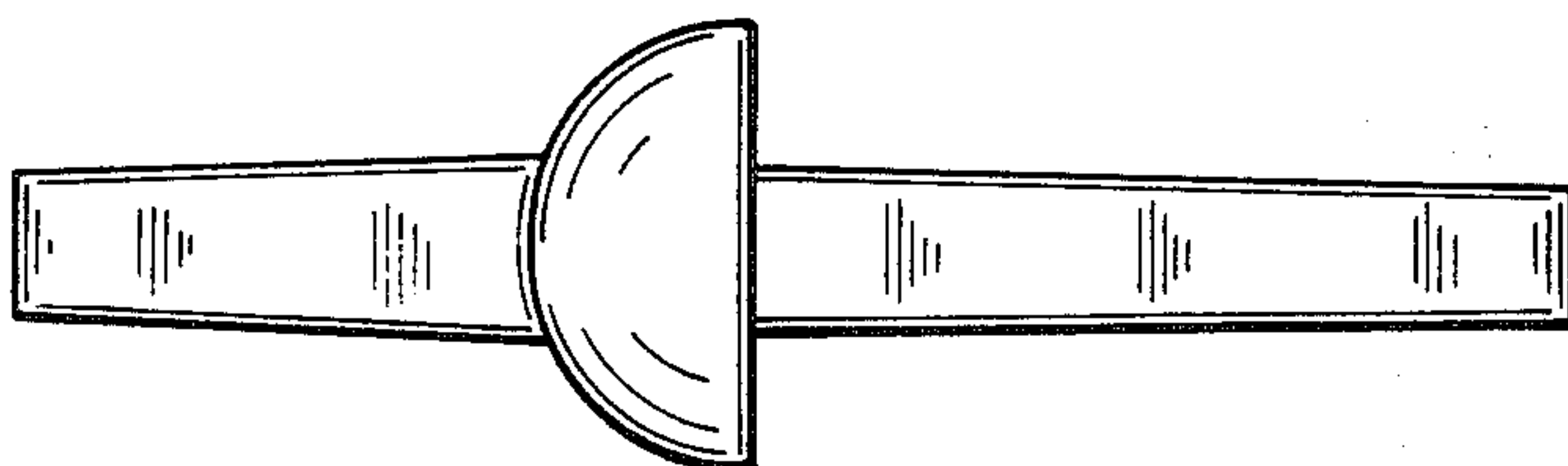
DESCRIPTION

FIG. 1 is a perspective view of the lesser toe metatarsal phalangeal implant showing our new design; FIG. 2 is a top plan view thereof; FIG. 3 is a top plan sectional view thereof; FIG. 4 is a side elevational view thereof; FIG. 5 is a side elevational sectional view thereof; FIG. 6 is a right side end view thereof; and FIG. 7 is a left side end view thereof.

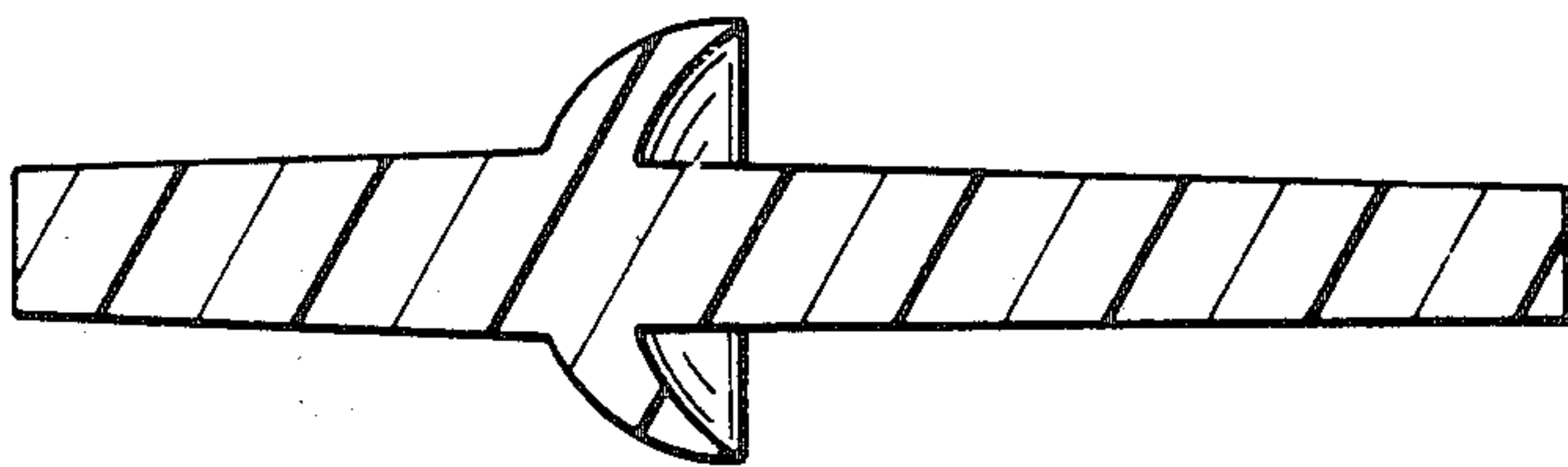




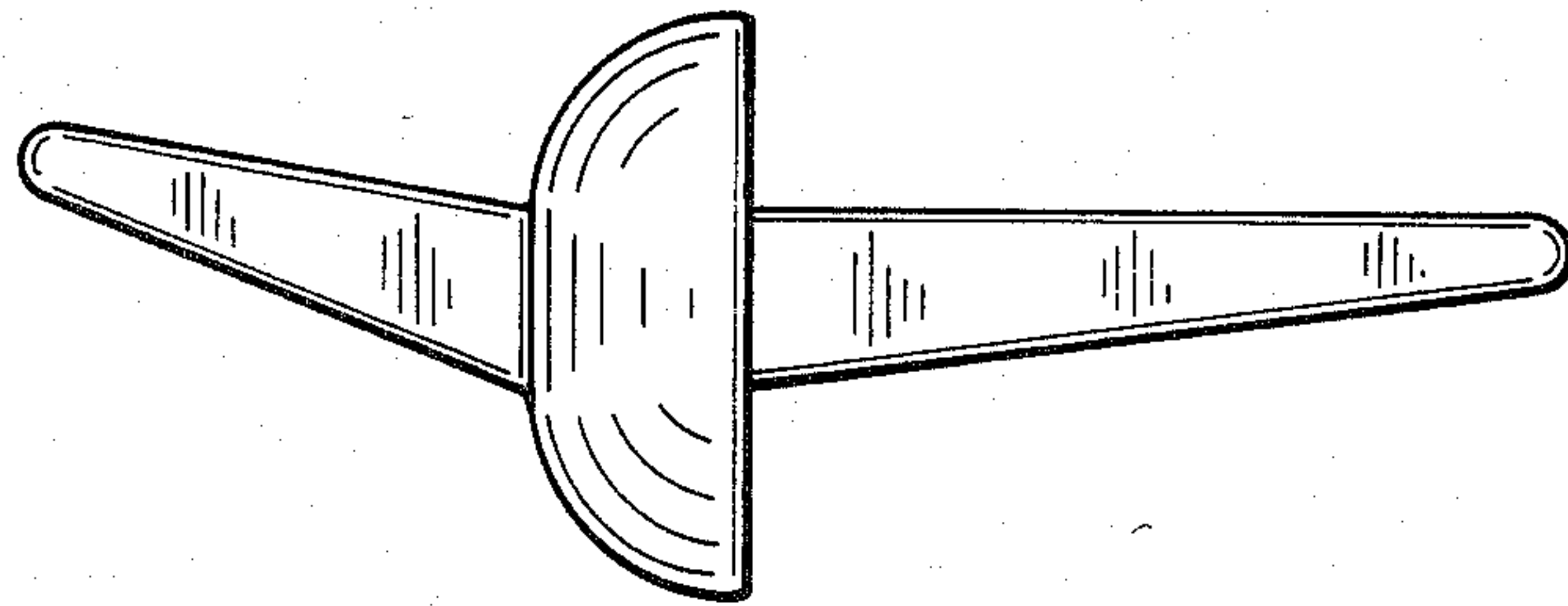
FIG_1



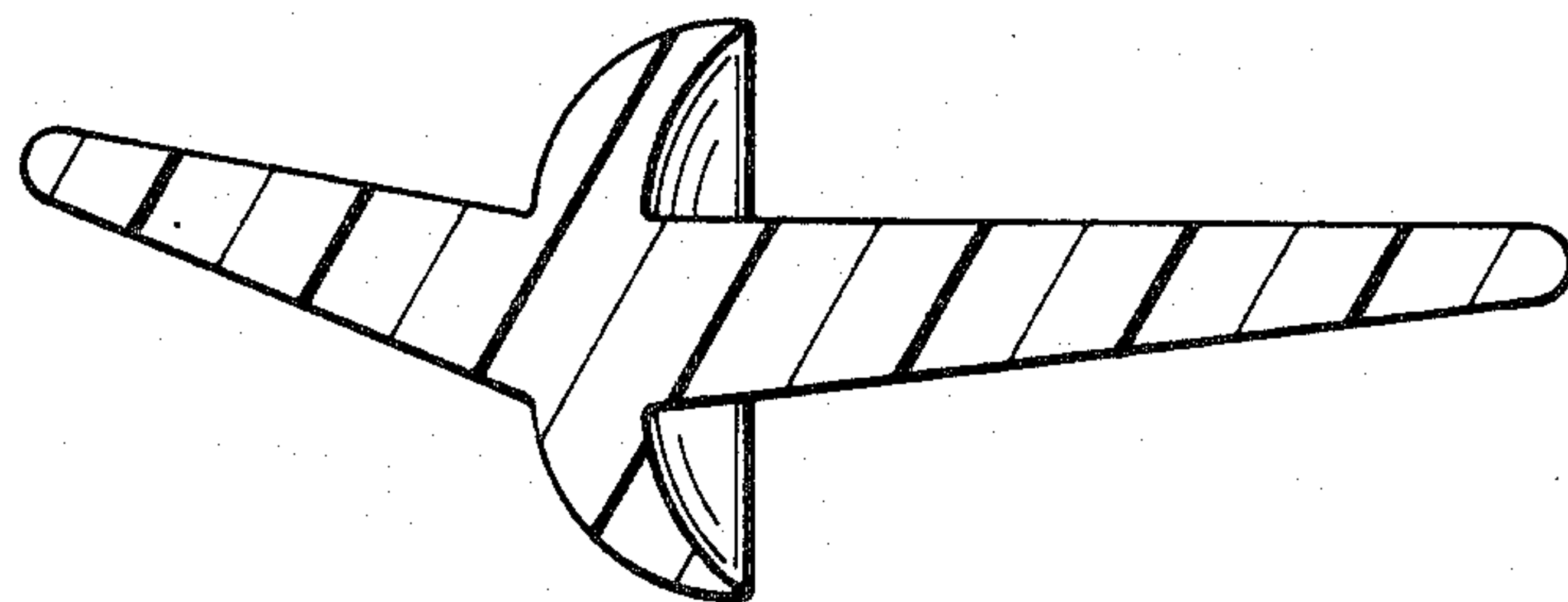
FIG_2



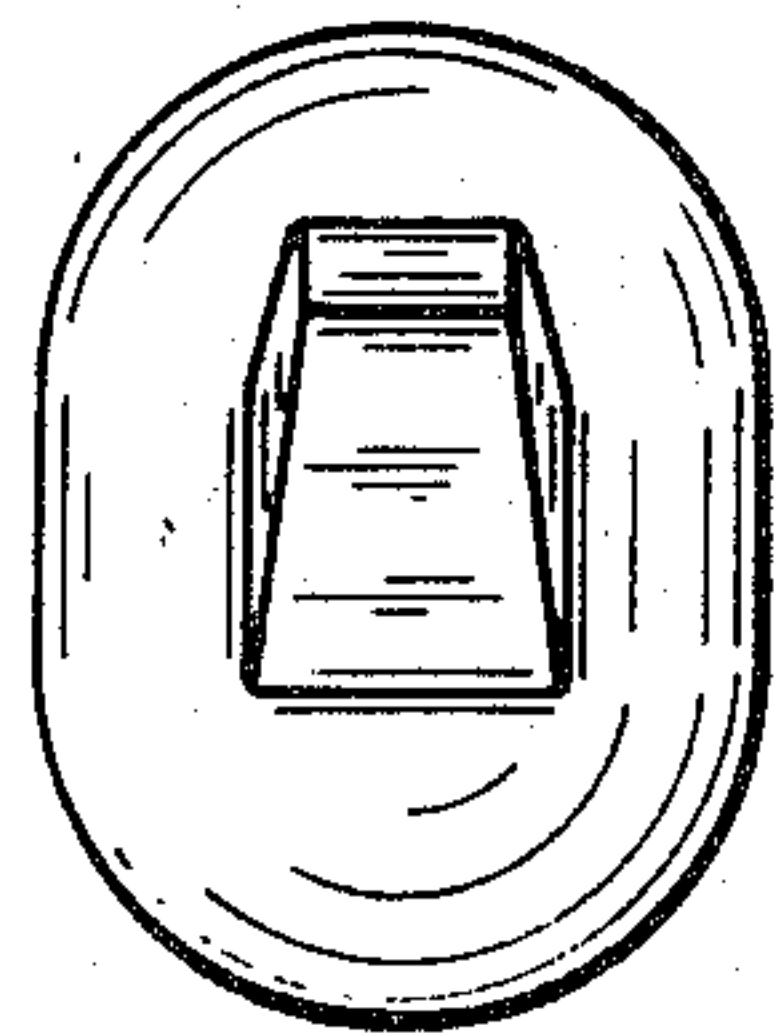
FIG_3



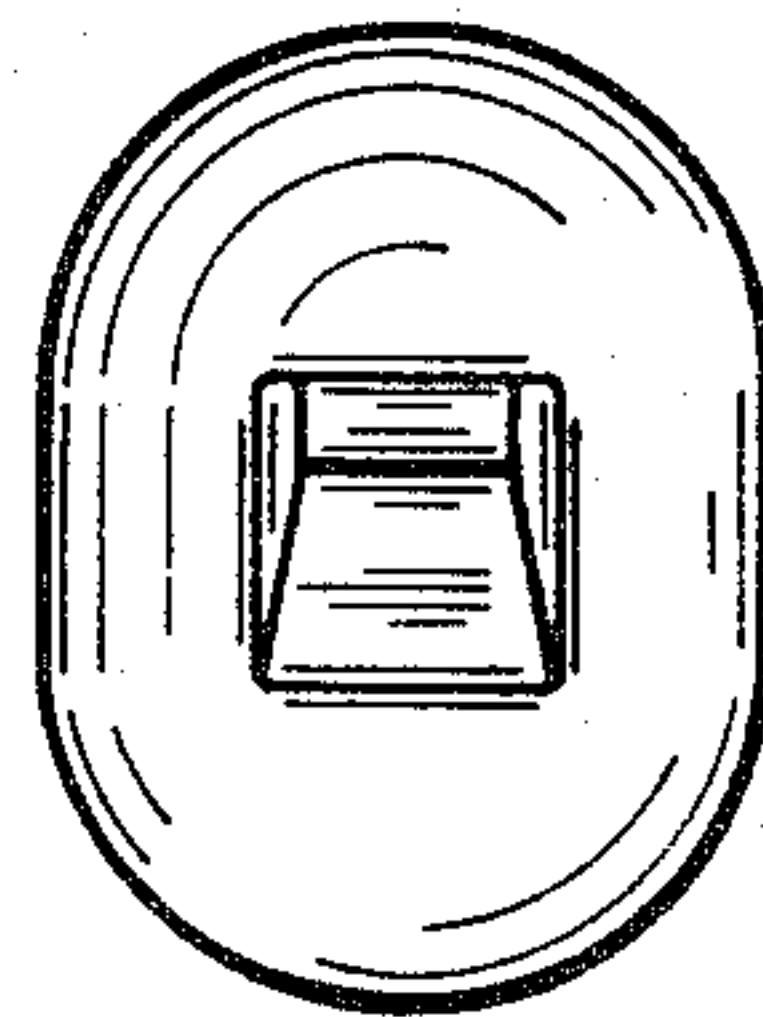
FIG_4



FIG_5



FIG_6



FIG_7