

[54] AIRWAY AIRFLOW INDICATOR FOR FACILITATING BLIND NASAL OR BLIND ORAL INTUBATION OF THE TRACHEA AND THE LIKE

[76] Inventor: George P. Beck, P.O. Box 16385, Lubbock, Tex. 79470

[**] Term: 14 Years

[21] Appl. No.: 406,383

[22] Filed: Aug. 5, 1982

[52] U.S. Cl. D24/17; D10/119

[58] Field of Search D24/17, 29, 34, 59, D24/62; 128/202.22, 207.14; 116/137 R; D10/116, 119, 120

[56] References Cited

U.S. PATENT DOCUMENTS

2,638,096 5/1953 Waldhaus 128/207.14 X

Primary Examiner—Catherine E. Kemper
Attorney, Agent, or Firm—Mason, Fenwick & Lawrence

[57] CLAIM

The ornamental design for an airway airflow indicator for facilitating blind nasal or blind oral intubation of the trachea and the like, substantially as shown and described.

DESCRIPTION

FIG. 1 is a front perspective view of an airway airflow indicator for facilitating blind nasal or blind oral intubation of the trachea and the like, showing my new design; FIG. 2 is a top plan view thereof; FIG. 3 is a bottom view thereof; FIG. 4 is a vertical sectional view thereof, taken along line 4—4 of FIG. 2; and FIG. 5 is a perspective view of one of the interfitting halves of the claimed device.

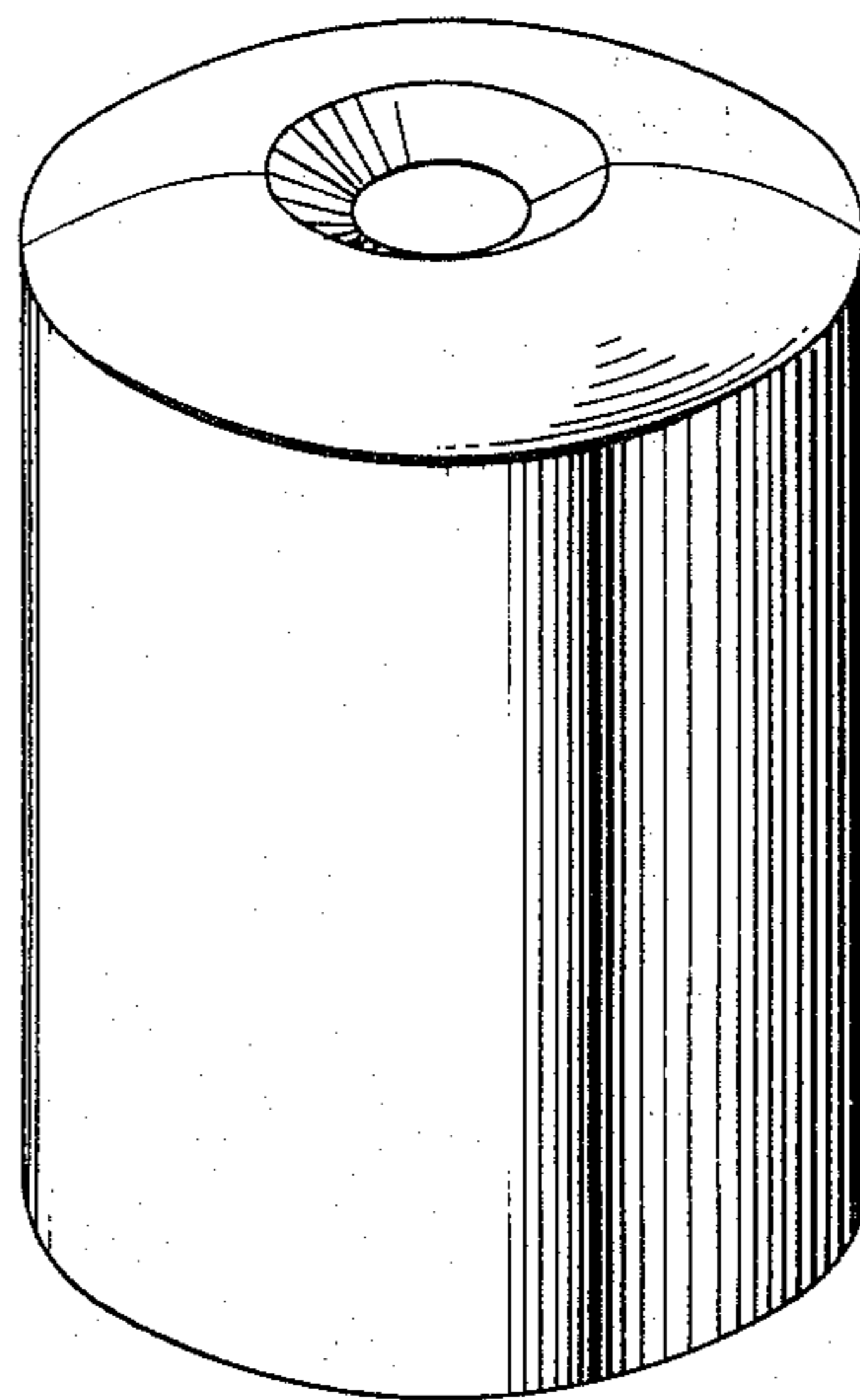


Fig-1

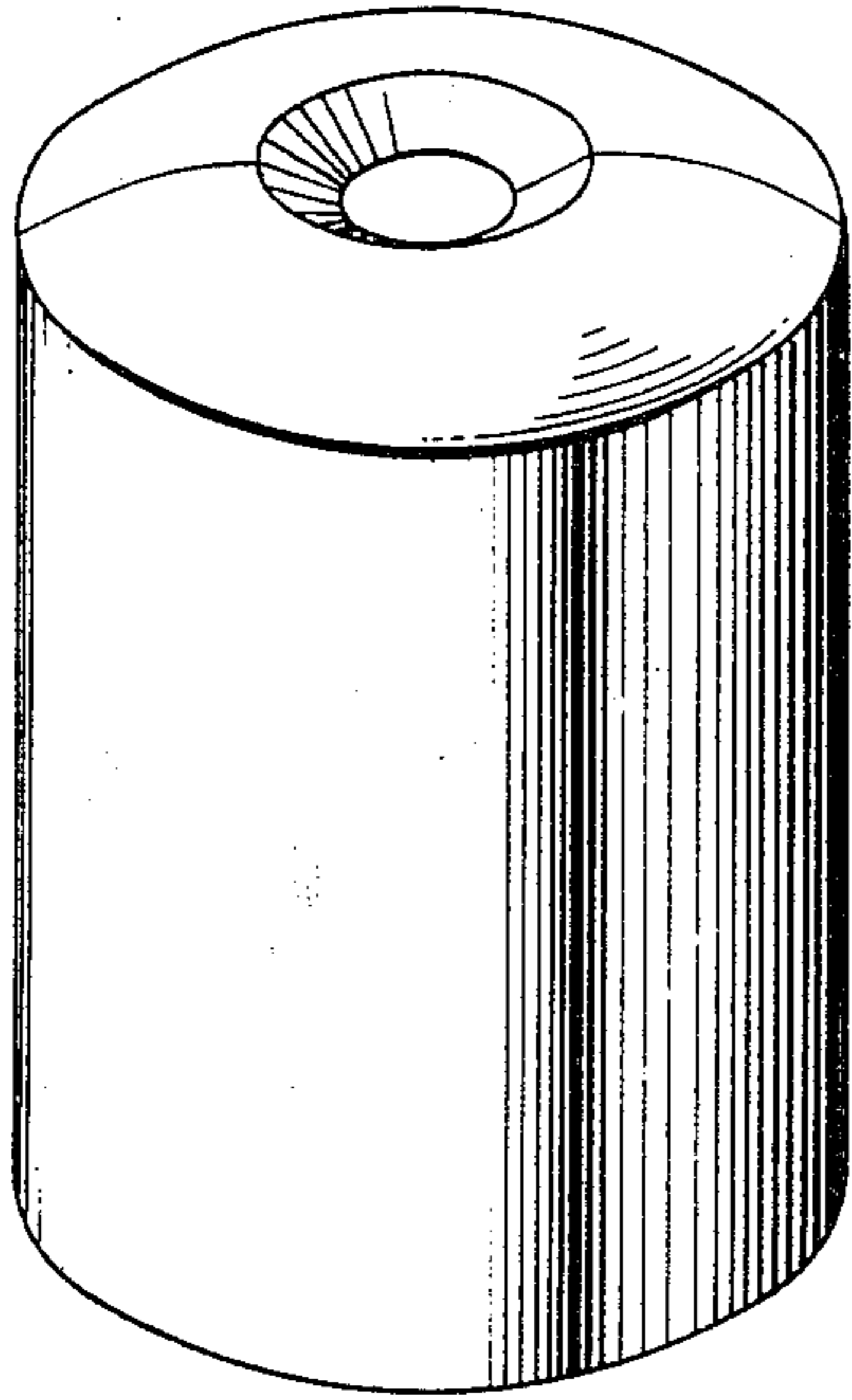


Fig-4

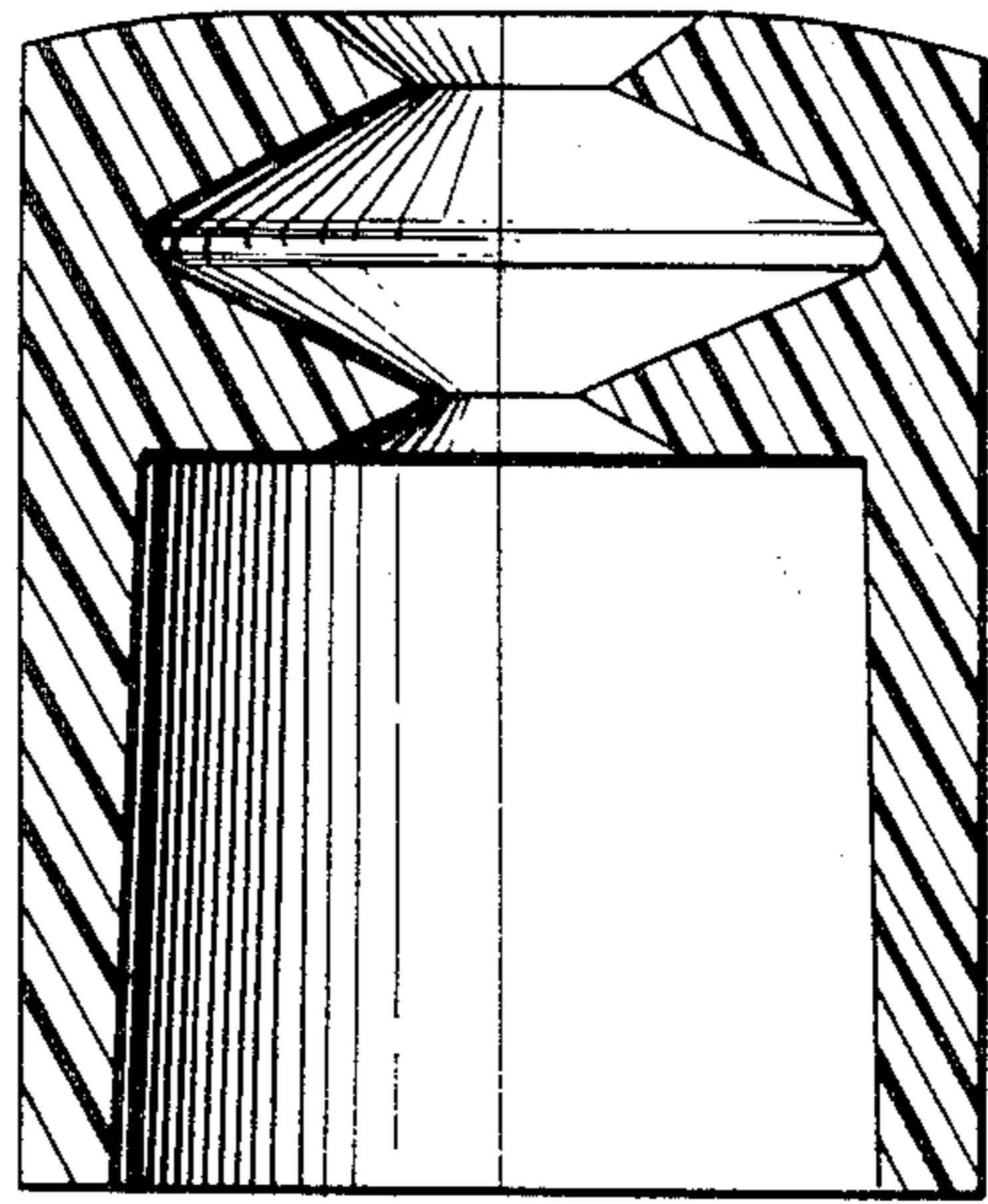


Fig-2

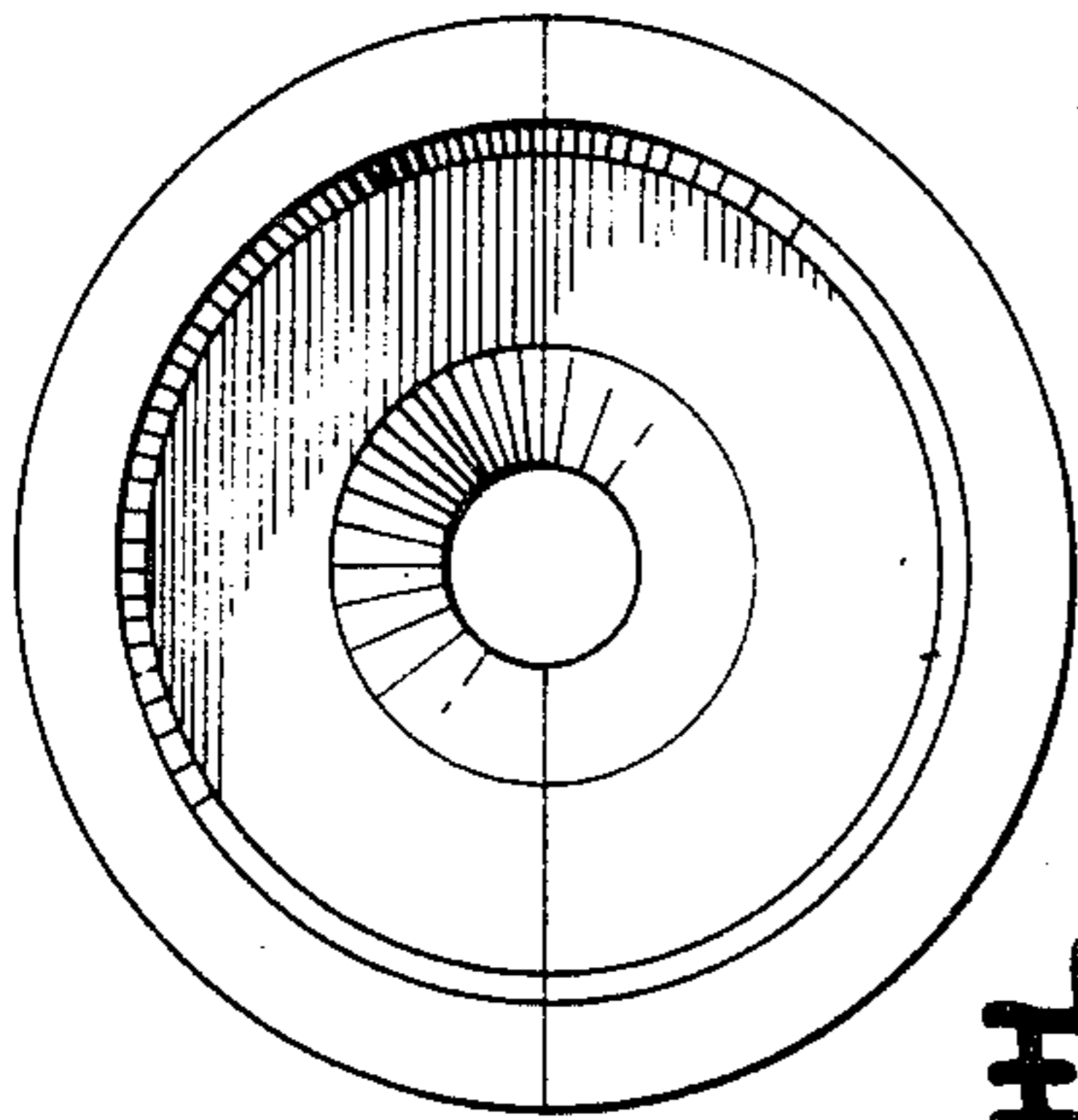
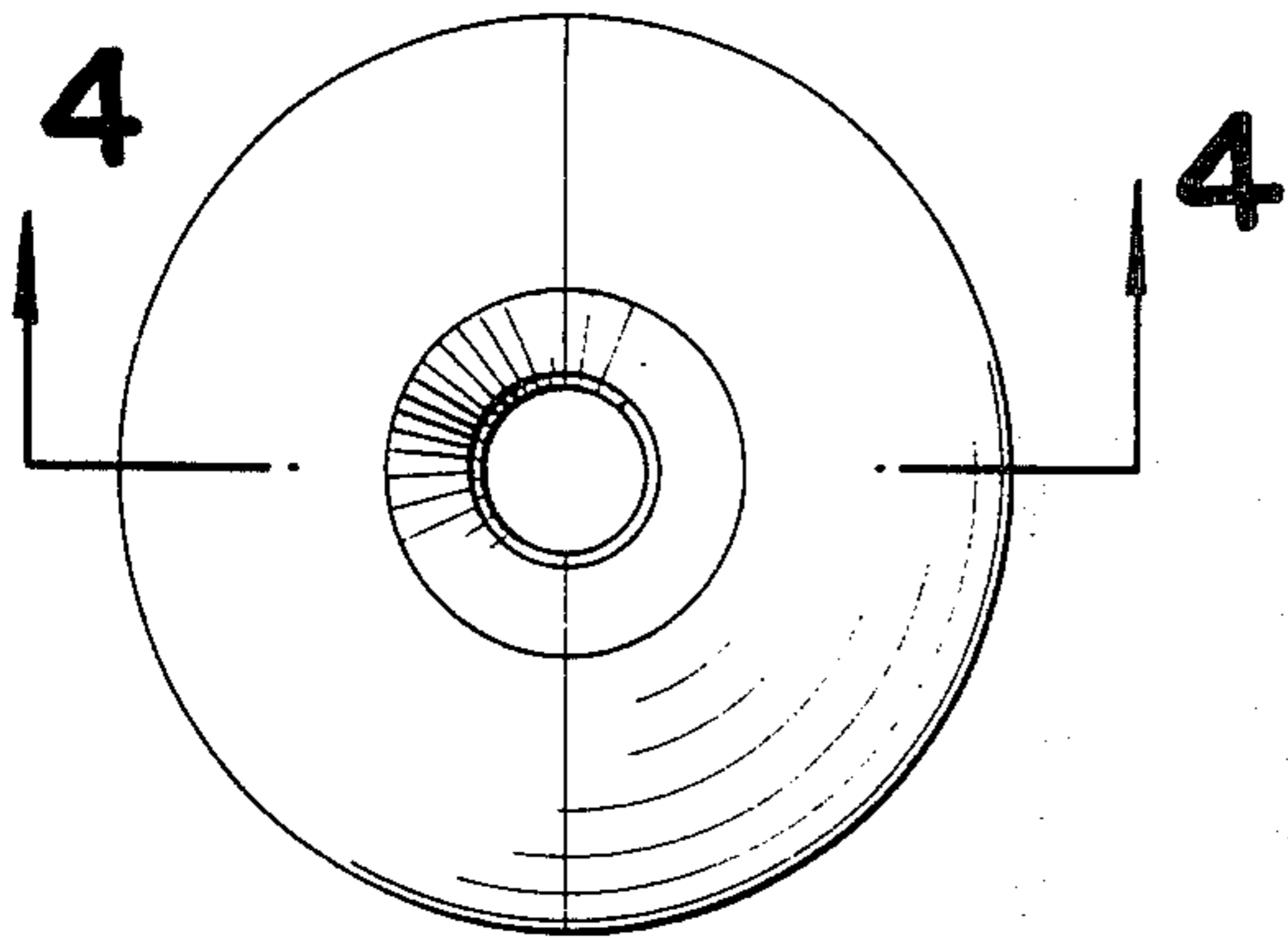


Fig-3

Fig-5

