

[54] STOVE

[75] Inventor: Oreste G. Nosenzo, Asti, Italy

[73] Assignee: C.S. di NOSENZO Oreste, Asti, Italy

[\*\*] Term: 14 Years

[21] Appl. No.: 447,551

[22] Filed: Dec. 7, 1982

[30] Foreign Application Priority Data

Apr. 3, 1981 [IT] Italy ..... 53080/81[U]

[52] U.S. Cl. .... D23/97

[58] Field of Search ..... D23/92-97, D23/105, 119; D6/58, 66-67, 77, 120, 121, 123, 126

[56] References Cited

U.S. PATENT DOCUMENTS

D. 20,139	9/1890	Goldstein et al. ....	D23/105
D. 122,151	8/1940	White et al. ....	D23/119
D. 266,583	10/1982	Bickmeyer .....	D23/97
2,530,095	11/1950	Stevens .....	126/65 X

Primary Examiner—Catherine E. Kemper  
Attorney, Agent, or Firm—Sughrue, Mion, Zinn, Macpeak and Seas

[57] CLAIM

The ornamental design for a stove, as shown and described.

DESCRIPTION

FIG. 1 is a front elevation view of a stove showing my new design.

FIG. 2 is a side elevation view thereof.

FIG. 3 is a perspective view showing the top, front, and one side thereof.

FIG. 4 is a rear elevational view.

FIG. 5 is a top plan view thereof.

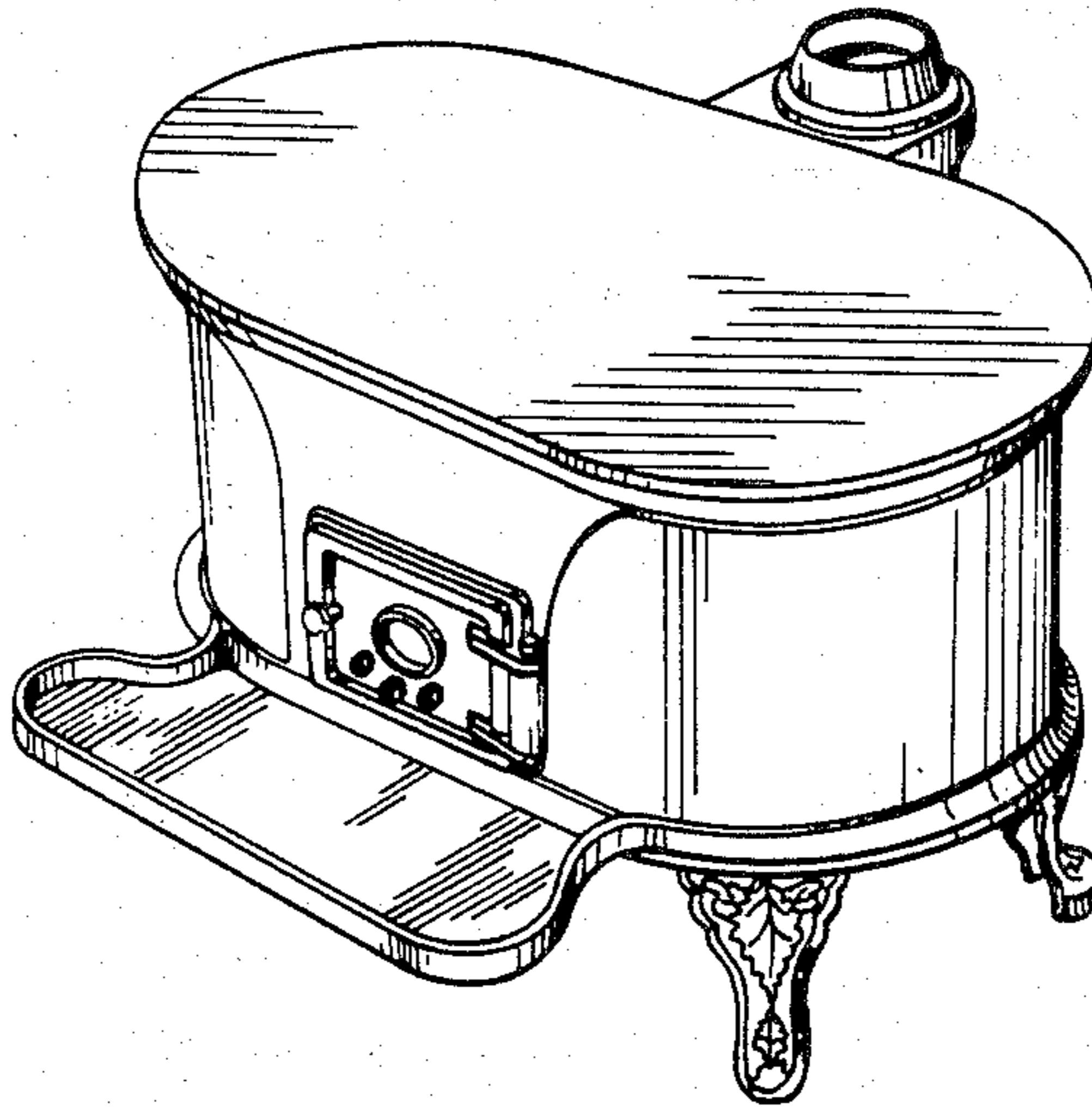


FIG. 1

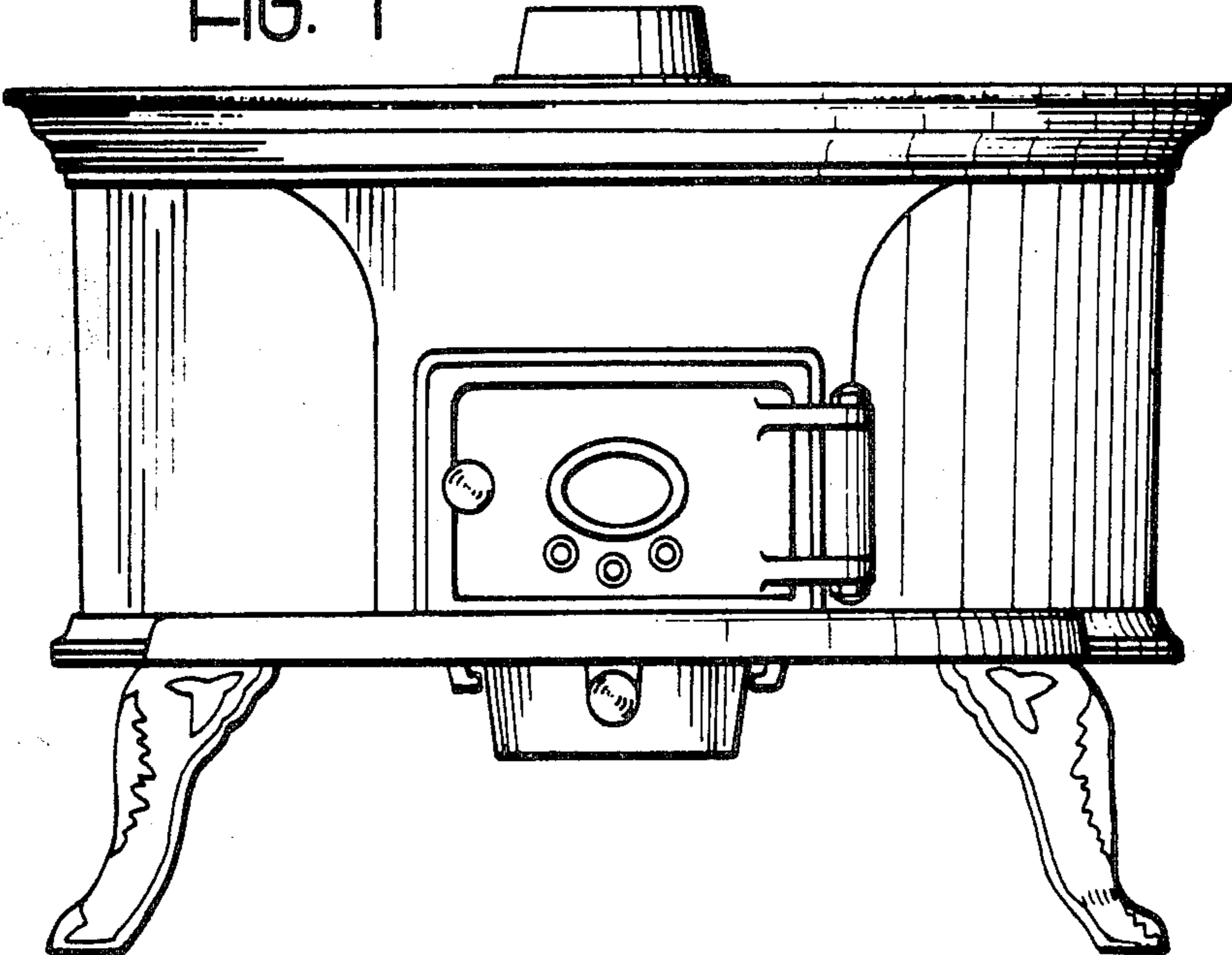


FIG. 2

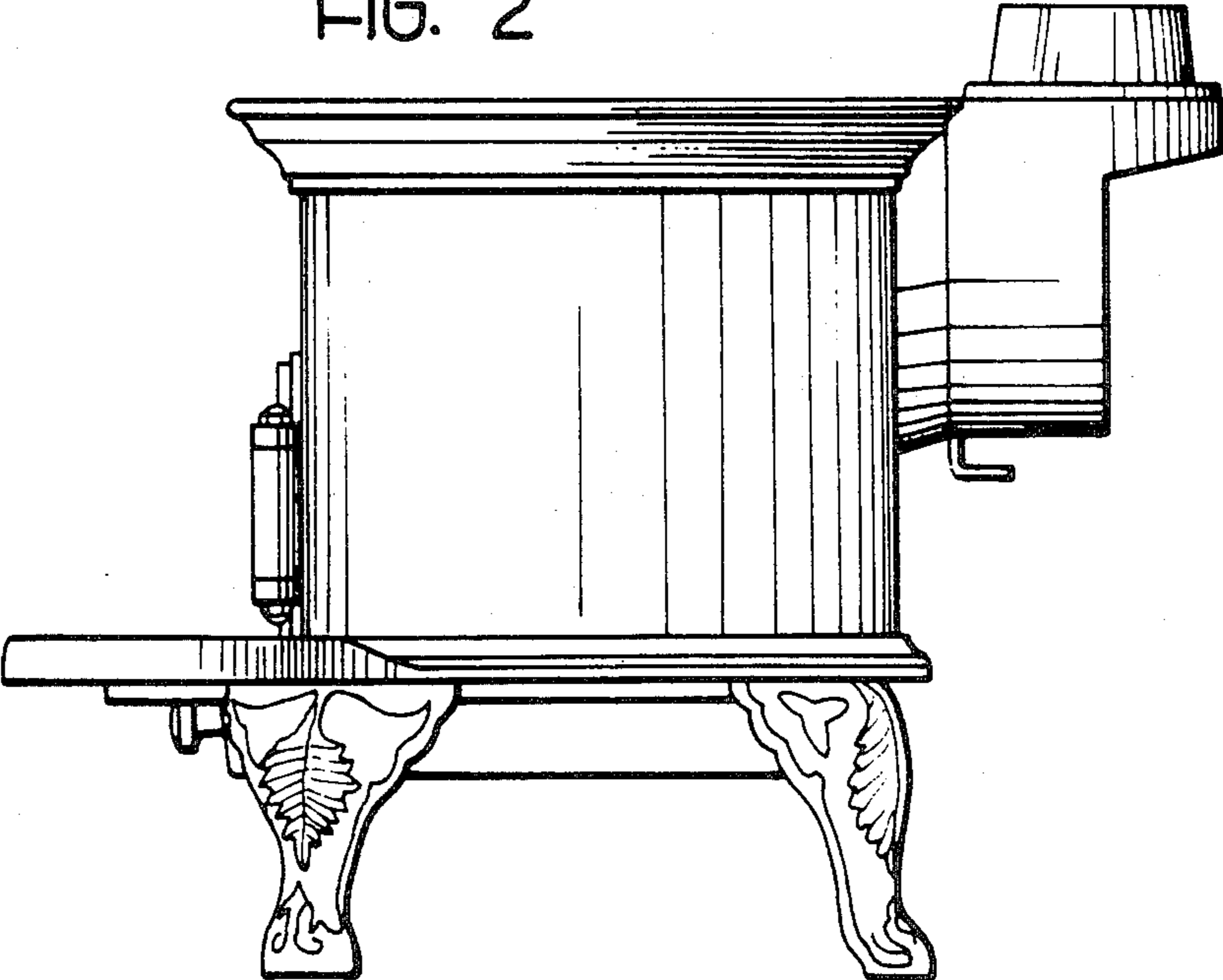


FIG. 3

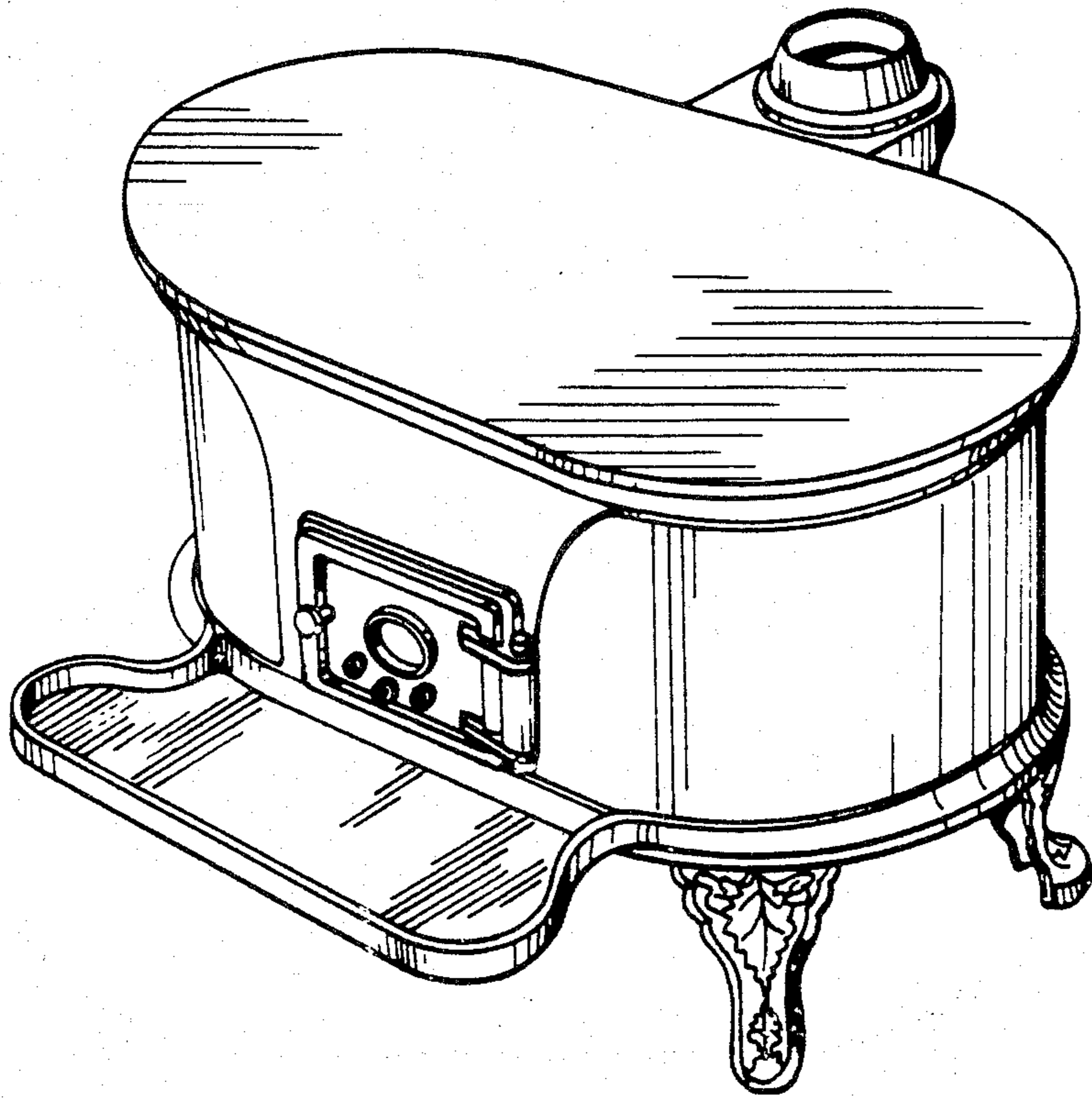


FIG. 4

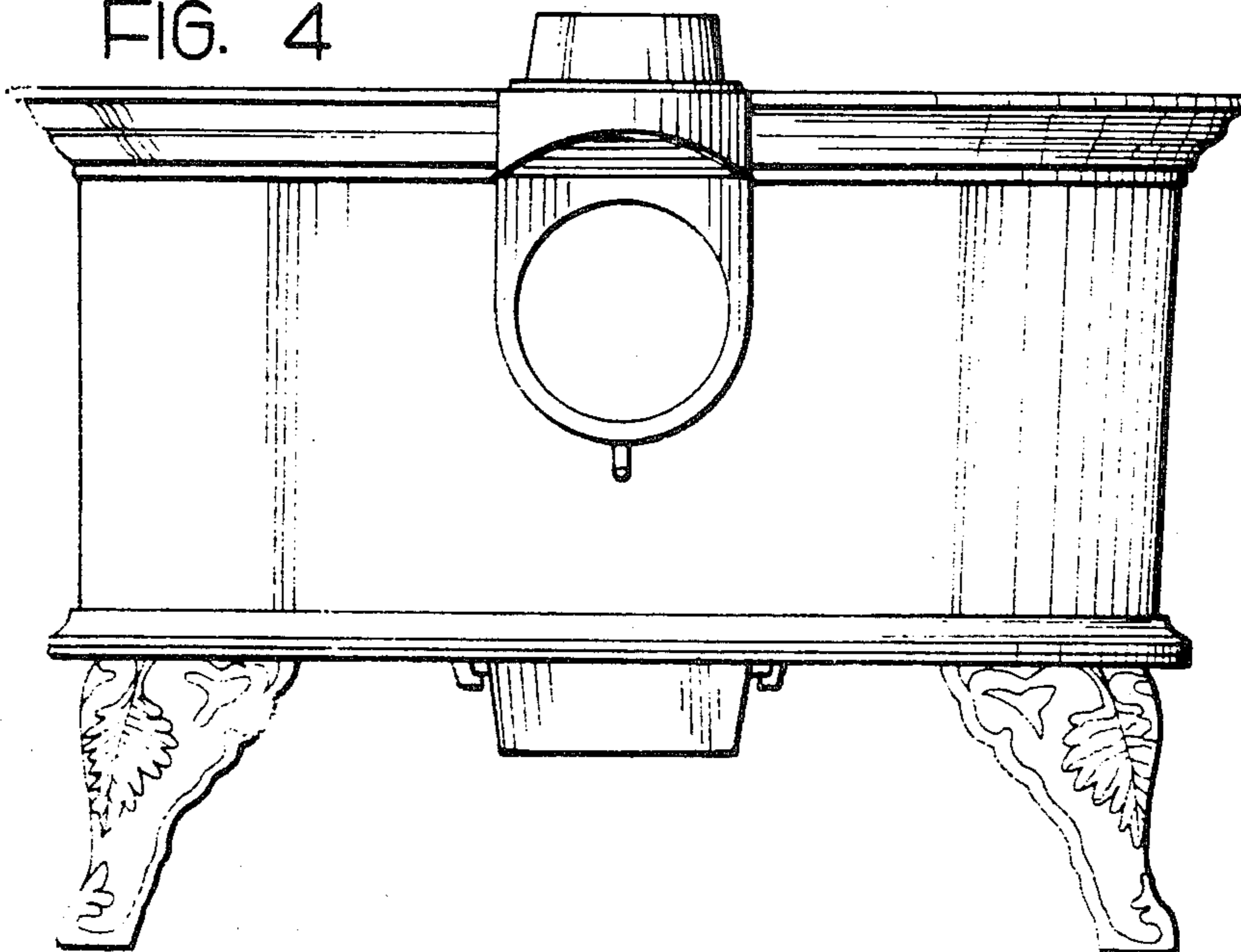


FIG. 5

