

United States Patent [19]

Lemkin

[11] Patent Number: **Des. 277,778**

[45] Date of Patent: **** Feb. 26, 1985**

[54] **SPRINKLER**

[75] Inventor: **Jack L. Lemkin, Cincinnati, Ohio**

[73] Assignee: **The O. M. Scott & Sons Company,
Marysville, Ohio**

[**] Term: **14 Years**

[21] Appl. No.: **483,155**

[22] Filed: **Apr. 8, 1983**

[52] U.S. Cl. **D23/7**

[58] Field of Search **D23/6-10;
239/273, 279**

D. 269,200 5/1983 MacKay et al. D23/7
2,515,598 7/1950 Hansen D23/7 X
2,566,781 9/1951 Tetzlaff 239/273
4,421,276 12/1983 Rodgers 239/273

Primary Examiner—James R. Largen

Attorney, Agent, or Firm—James B. Raden; Harold J. Holt

[57] **CLAIM**

The ornamental design for a sprinkler, substantially as shown and described.

DESCRIPTION

FIG. 1 is a perspective view of a sprinkler showing my new design;

FIG. 2 is a top view thereof;

FIG. 3 is a right side view thereof, the left side being a mirror image of the right side shown;

FIG. 4 is a front view thereof;

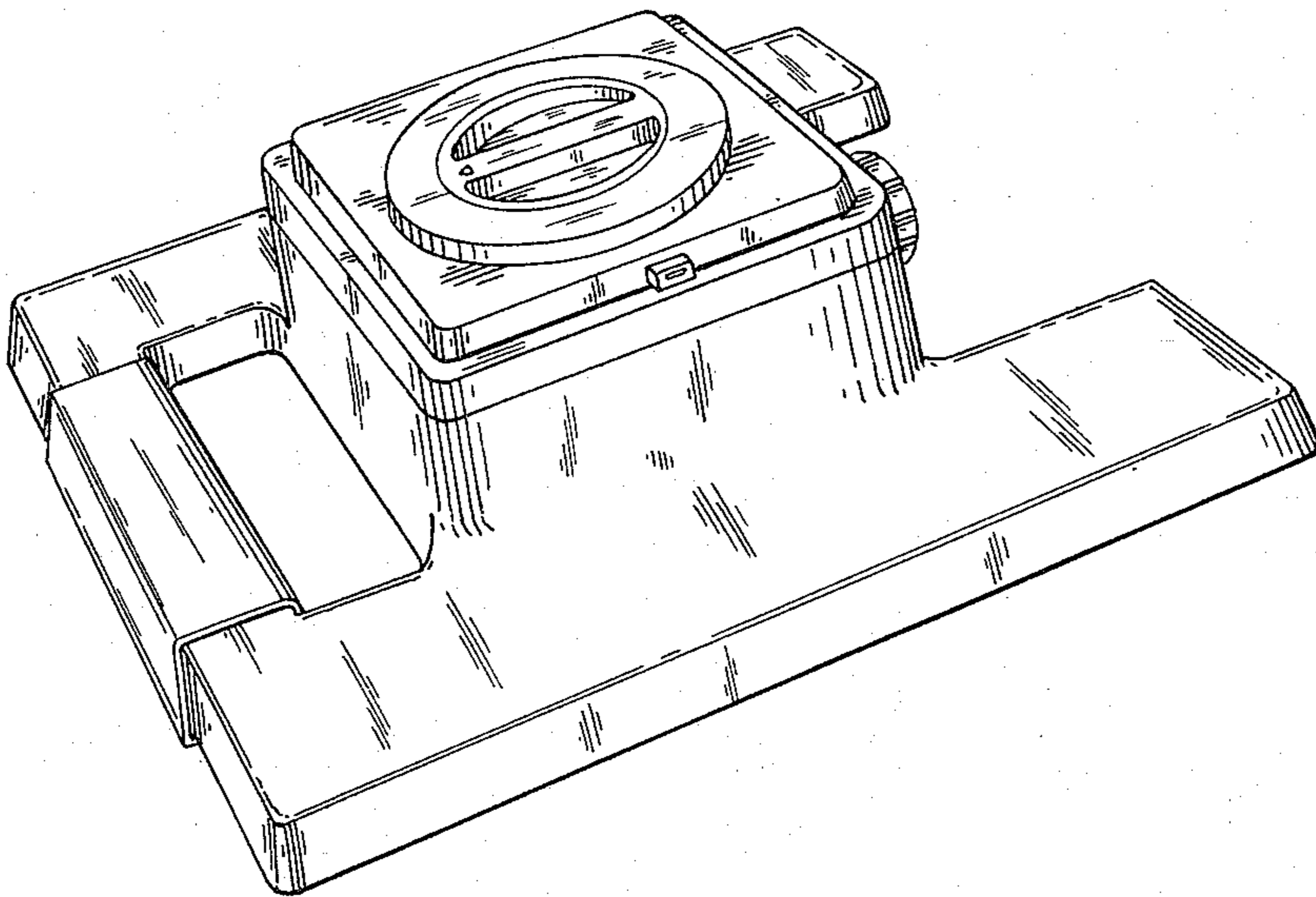
FIG. 5 is a rear view thereof; and

FIG. 6 is a bottom view thereof.

[56] **References Cited**

U.S. PATENT DOCUMENTS

D. 118,263 12/1939 Kent et al. D23/7
D. 118,264 12/1939 Kent et al. D23/7
D. 211,943 8/1968 Beinert D23/7
D. 243,239 2/1977 Hutton et al. D23/7
D. 263,863 4/1982 Chow et al. D23/7



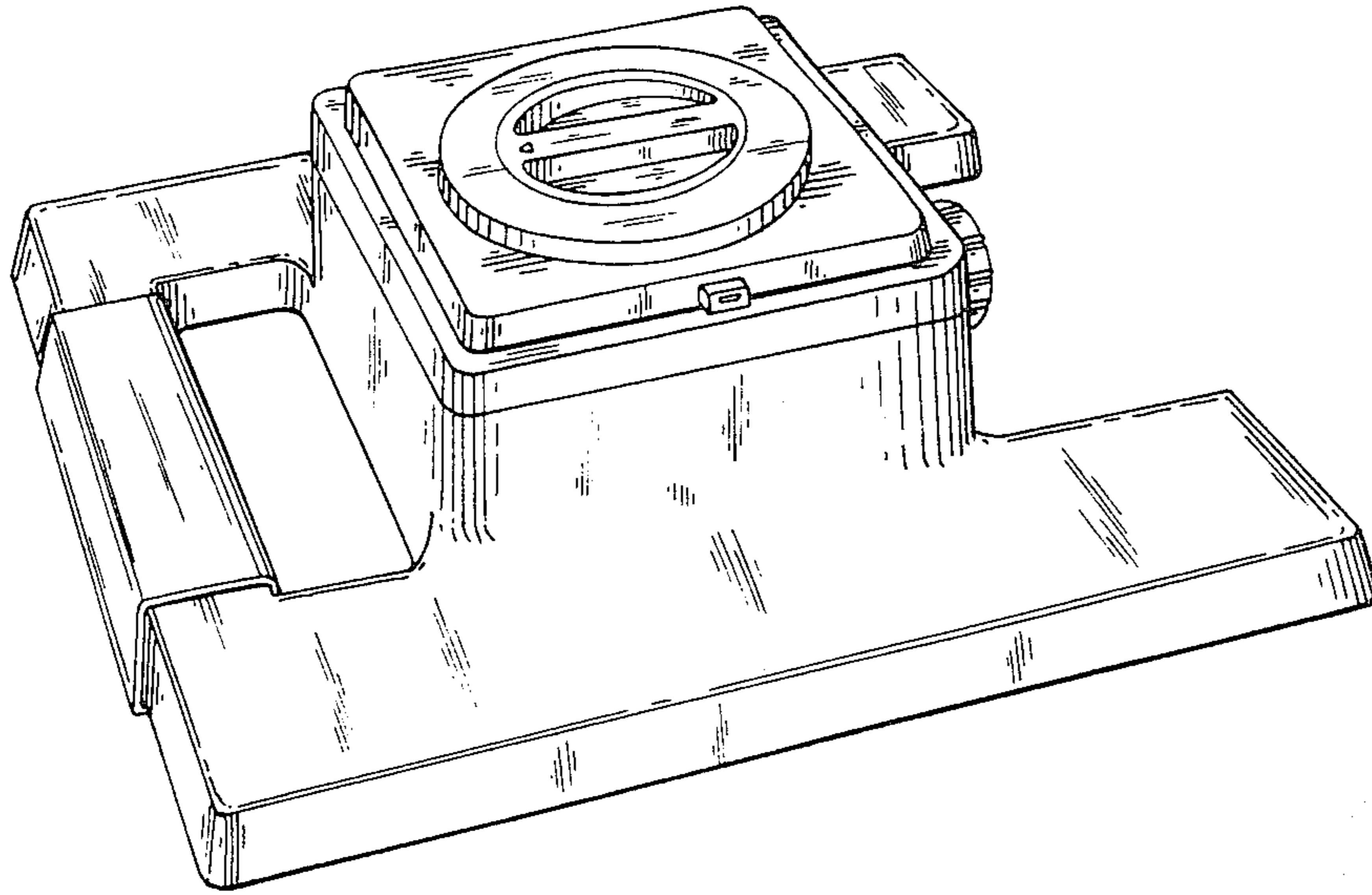


FIG. 1

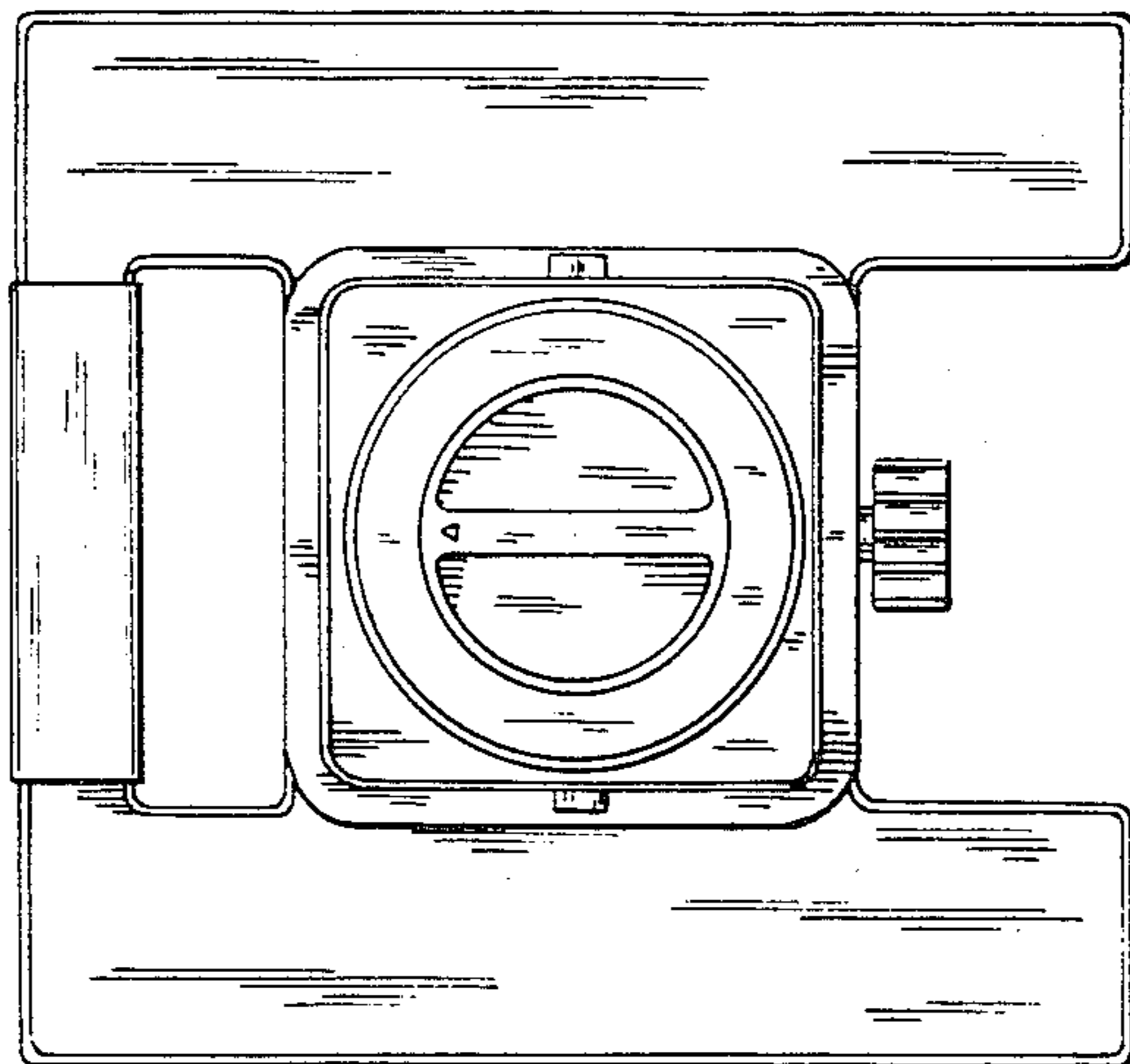


FIG. 2

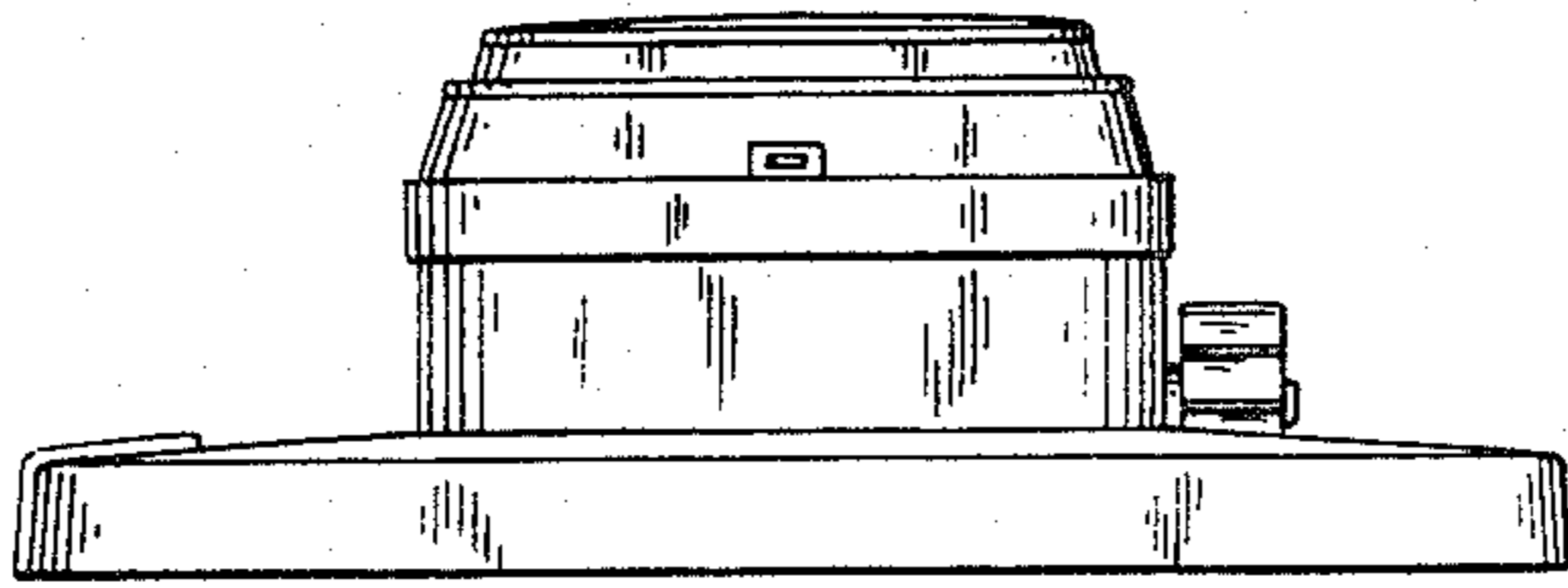


FIG. 3

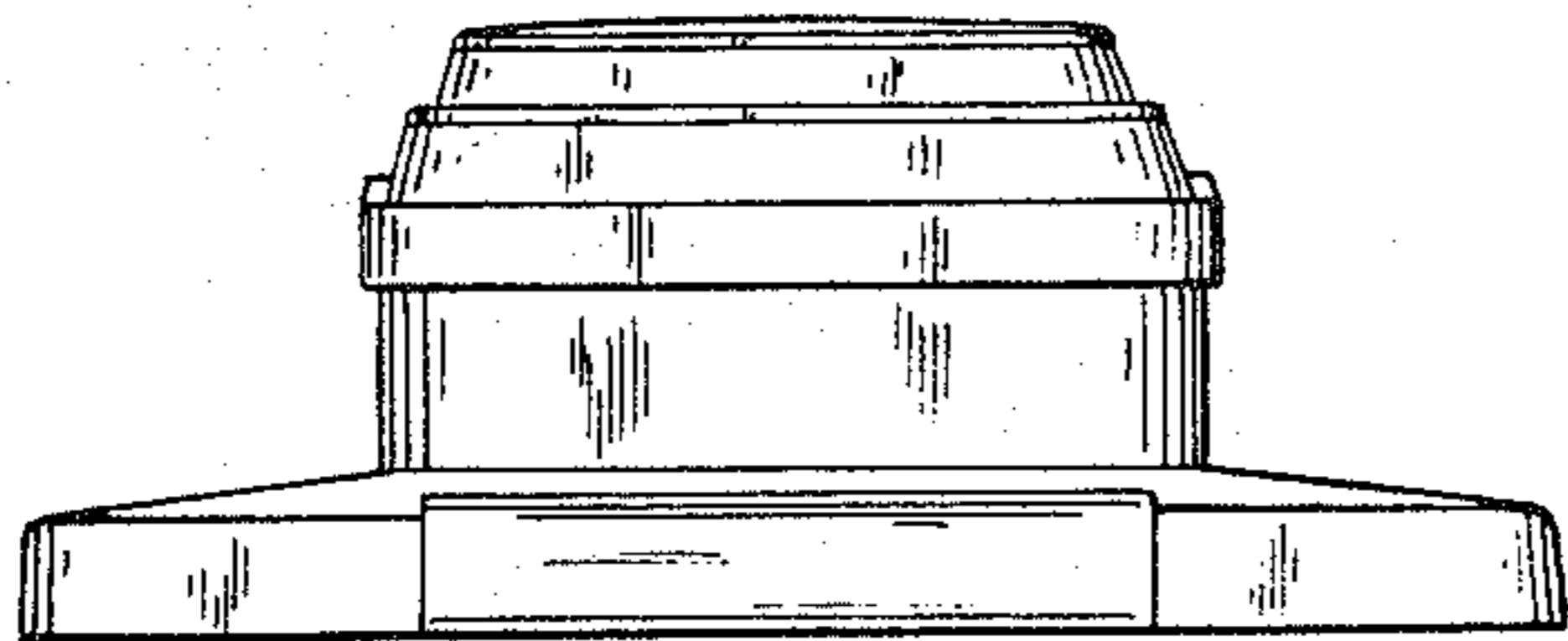


FIG. 4

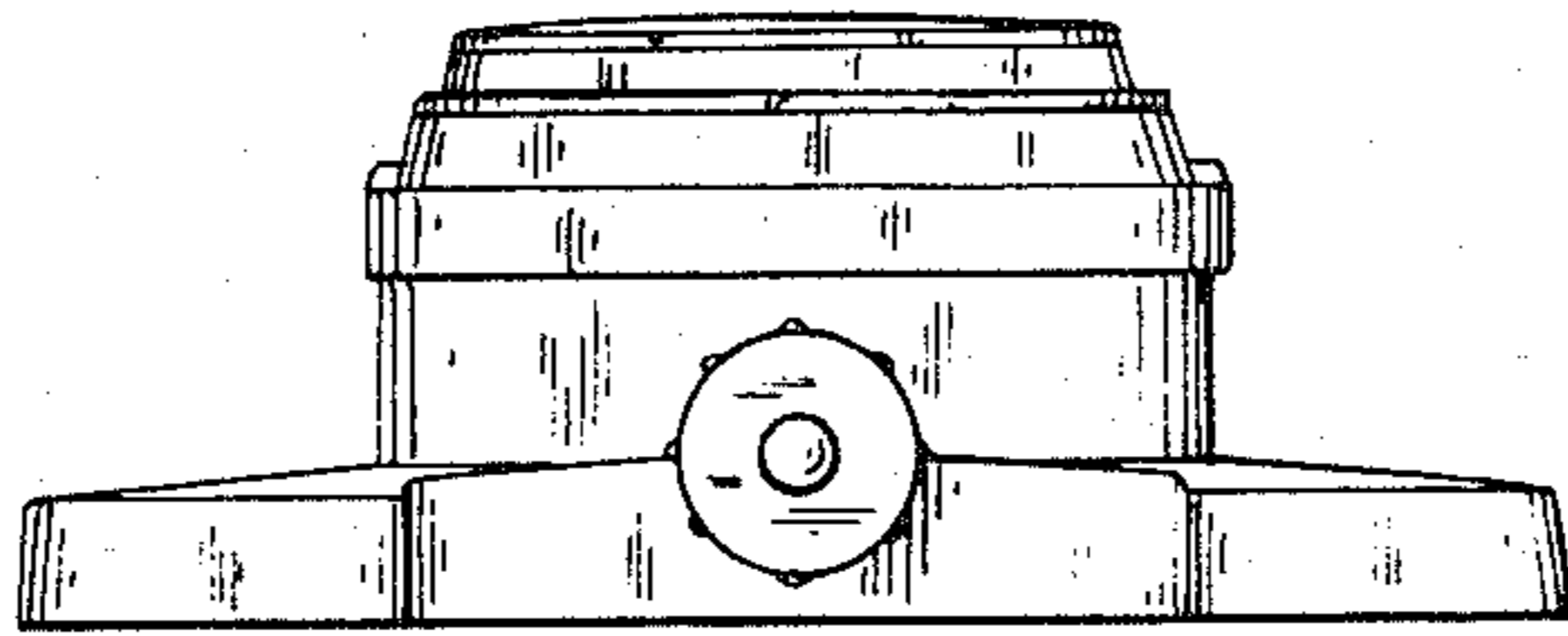


FIG. 5

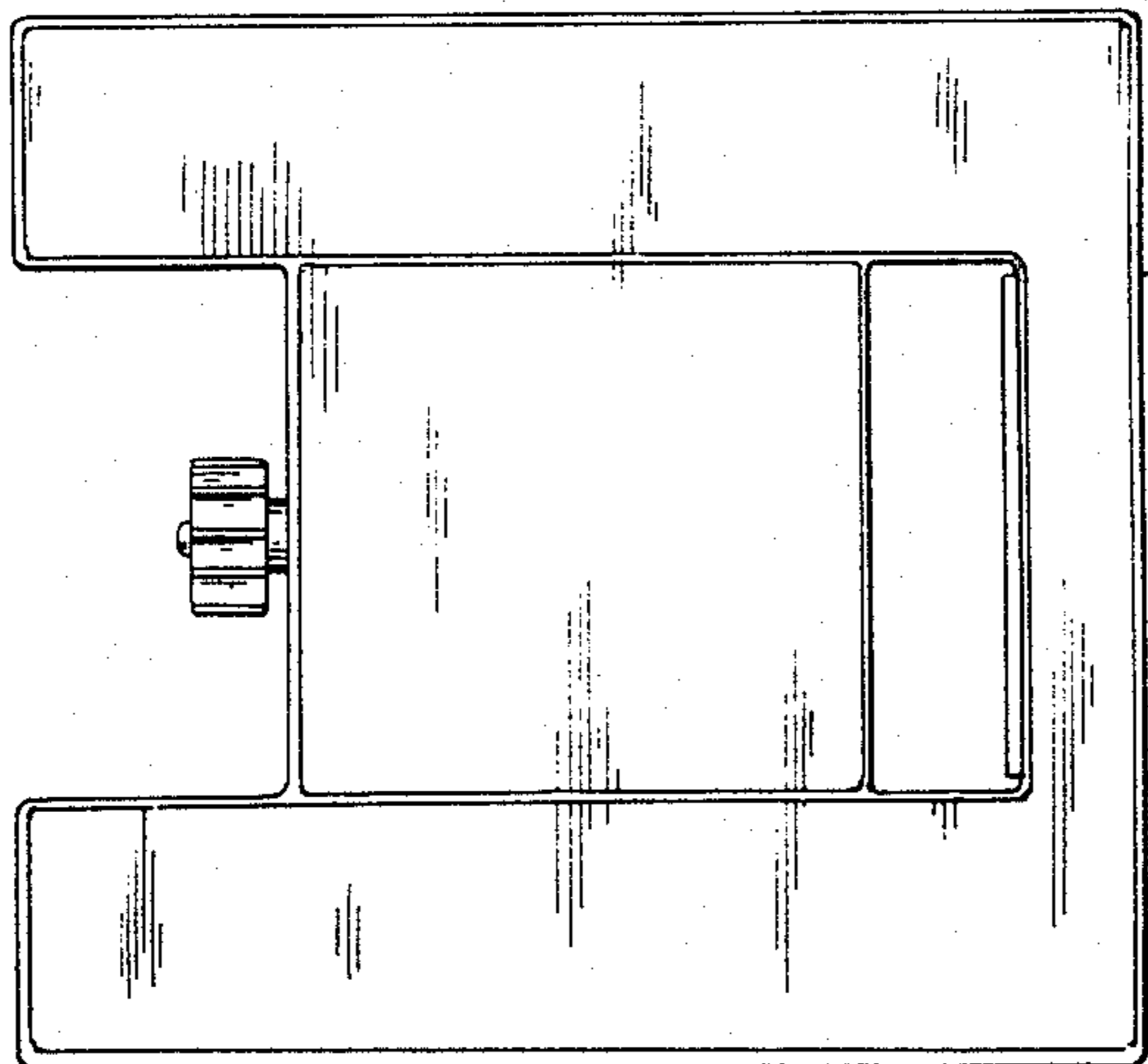


FIG. 6