

[54] **REAR GUNSIGHT**
 [76] Inventor: **Mario F. Ruffino**, 300 Beauregard Heights, Hampton, Va. 23669
 [**] Term: **14 Years**
 [21] Appl. No.: **415,646**
 [22] Filed: **Sep. 7, 1982**
 [52] U.S. Cl. **D22/8**
 [58] Field of Search 33/233, 252, 257, 260; 42/1 S; D22/8

4,200,989 5/1980 Brouthers 42/1 S X

FOREIGN PATENT DOCUMENTS

12603 of 1899 United Kingdom 33/257

Primary Examiner—A. Hugo Word
Attorney, Agent, or Firm—Finnegan, Henderson, Farabow, Garrett & Dunner

[57] **CLAIM**

The ornamental design for a rear gunsight, substantially as shown and described.

[56] **References Cited**
U.S. PATENT DOCUMENTS

D. 191,112	8/1961	Elliason	D22/8
D. 199,065	9/1964	Korzeniewski	D22/8
D. 252,764	8/1979	Korzeniewski	D22/8
D. 254,680	4/1980	Behlert	D22/8
658,708	9/1900	Fischer	33/257
1,455,071	5/1923	Browning	33/260
2,044,855	6/1937	Lundgren	33/257
2,108,150	2/1938	Swebilius	33/257
2,187,096	1/1940	Pomeroy	33/257
2,484,368	10/1949	Young	33/260
2,610,406	9/1952	Chambers	42/1 S X
3,495,339	2/1970	Elliason	42/1 S X
3,882,623	5/1975	Khaidurov et al.	33/257 X
3,942,256	3/1976	Khaidurov et al.	33/257
3,984,917	10/1976	Korzeniewski	33/260

DESCRIPTION

FIG. 1 is a perspective view of the rear gunsight of the present invention.
 FIG. 2 is a side view of the rear gunsight of the present invention.
 FIG. 3 is a plan view of the rear gunsight of the present invention.
 FIG. 4 is a rear view of the rear gunsight of the present invention.
 FIG. 5 is a front view of the gunsight of the present invention.
 FIG. 6 is a bottom view of the rear gunsight of the present invention.
 The undisclosed side of the gunsight is substantially the same in appearance as the side of the gunsight shown in FIG. 2.

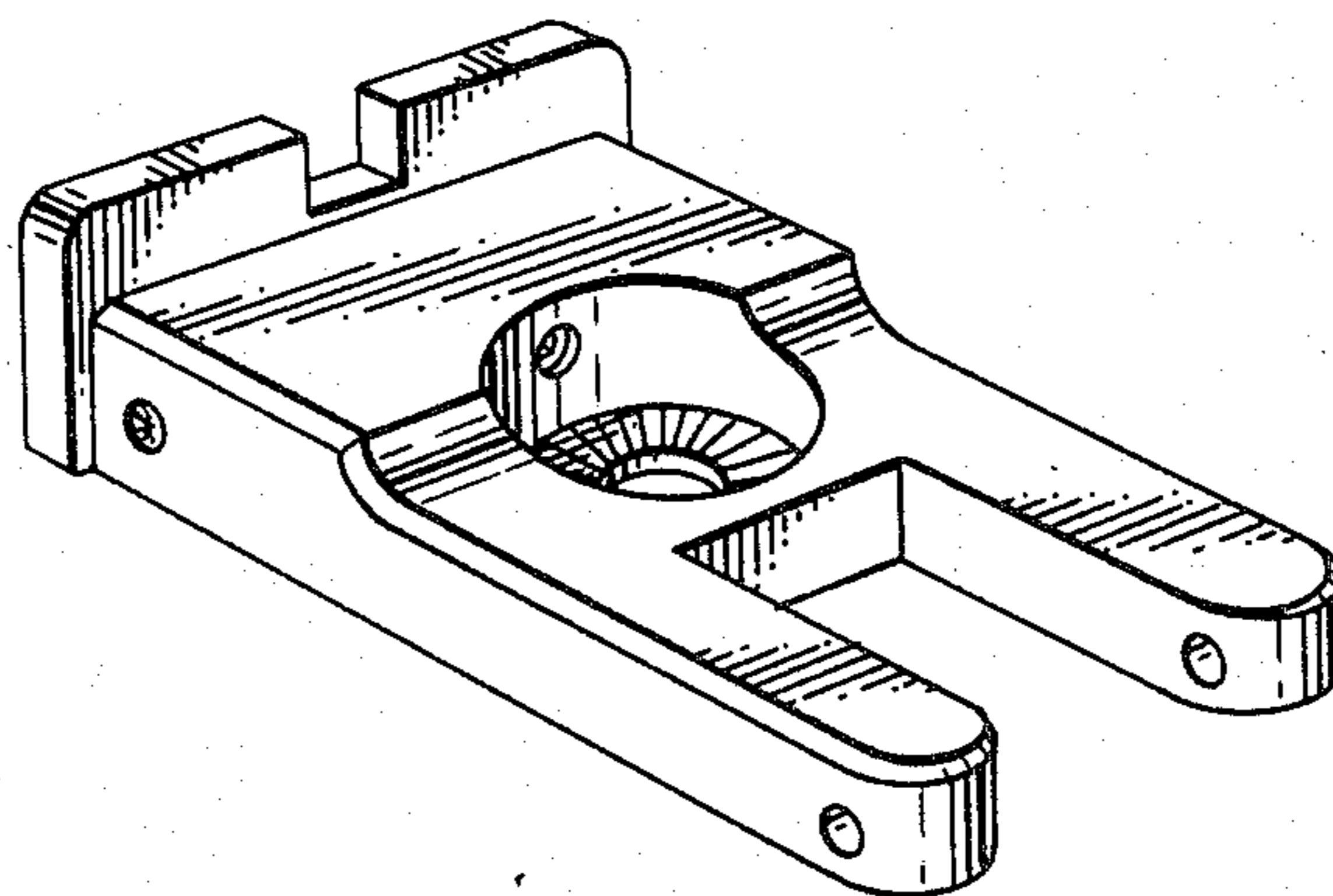


FIG. 1.

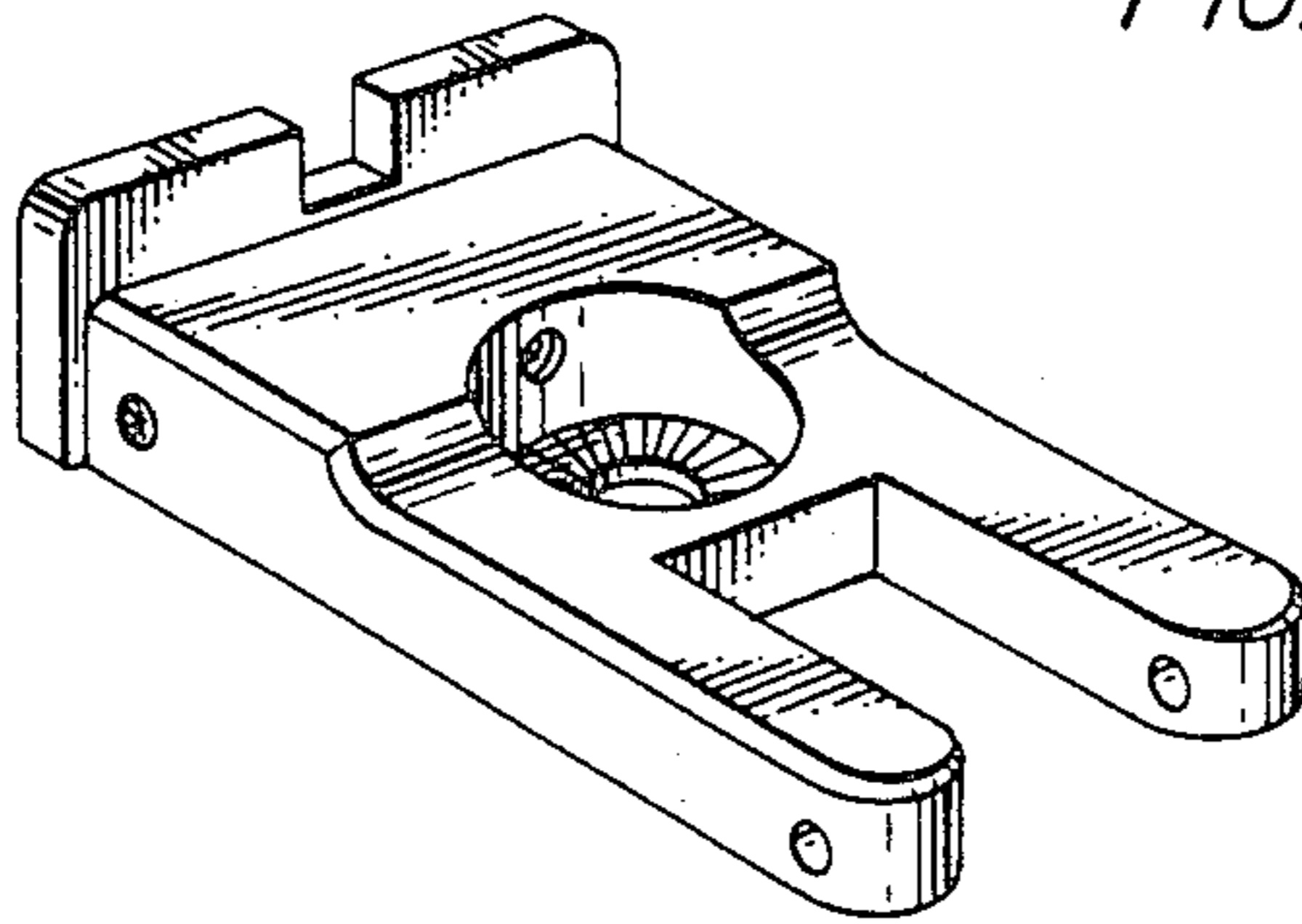


FIG. 2.



FIG. 3.

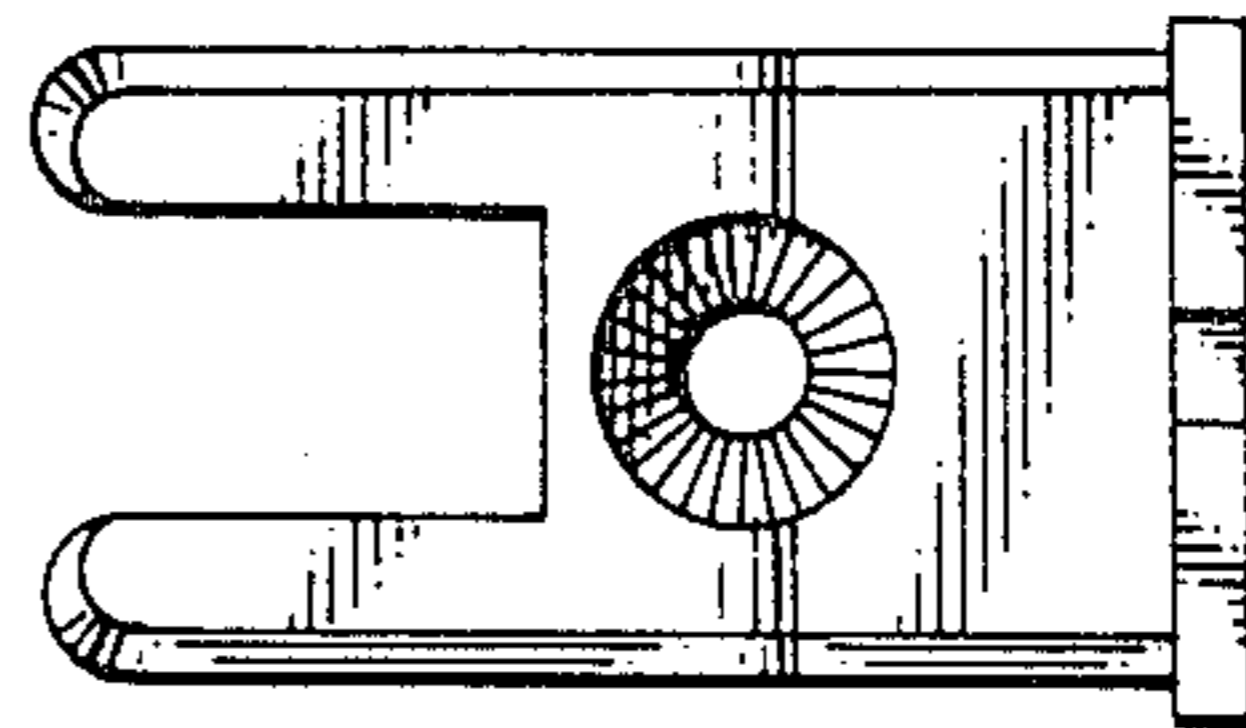


FIG. 4.

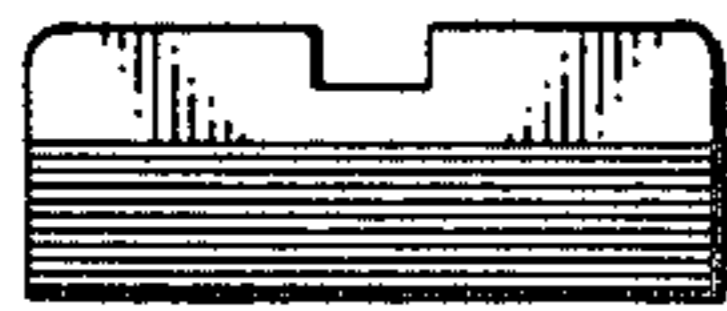


FIG. 5.



FIG. 6.

