

[54] **TOY MOTORCYCLE**

[75] **Inventor: Kazutaka Takeuchi, Yachiyo, Japan**

[73] **Assignee: Blue Box Toy Factory Limited, Hong Kong, Hong Kong**

[**] **Term: 14 Years**

[21] **Appl. No.: 446,146**

[22] **Filed: Dec. 2, 1982**

[30] **Foreign Application Priority Data**

Jul. 8, 1982 [GB] United Kingdom 1007604
[52] **U.S. Cl.** **D21/81; D12/110**
[58] **Field of Search** **D21/76, 80, 81, 128, D21/134, 135, 137; D12/110; 446/440**

[56]

References Cited

U.S. PATENT DOCUMENTS

D. 263,576 3/1982 Morioka D12/110
D. 264,574 5/1982 Kurishima et al. D12/110
3,751,851 8/1973 Nagal 446/440
4,201,011 5/1980 Cook 446/440

OTHER PUBLICATIONS

Cosmopolitan Motors, Inc. Flier, "Benelli" Cycle.

Primary Examiner—Charles A. Rademaker

Attorney, Agent, or Firm—Pollock, Vande Sande & Priddy

[57]

CLAIM

The ornamental design for a toy motorcycle, as shown.

DESCRIPTION

FIG. 1 is a front perspective view of a toy motorcycle showing my new design;

FIG. 2 is a left side elevational view thereof;

FIG. 3 is a bottom plan view thereof; and,

FIG. 4 is a rear elevational view thereof.

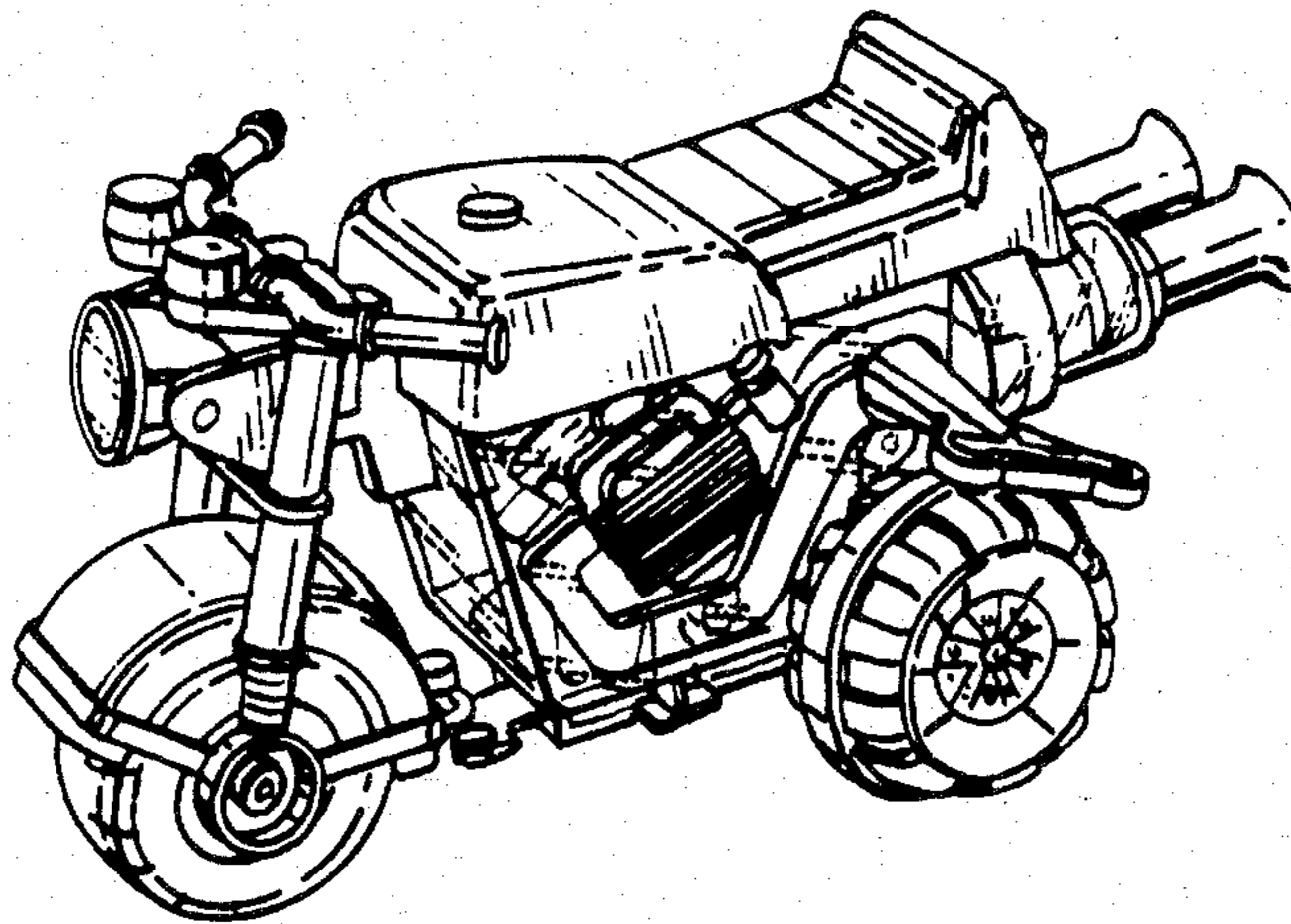


FIG. 1.

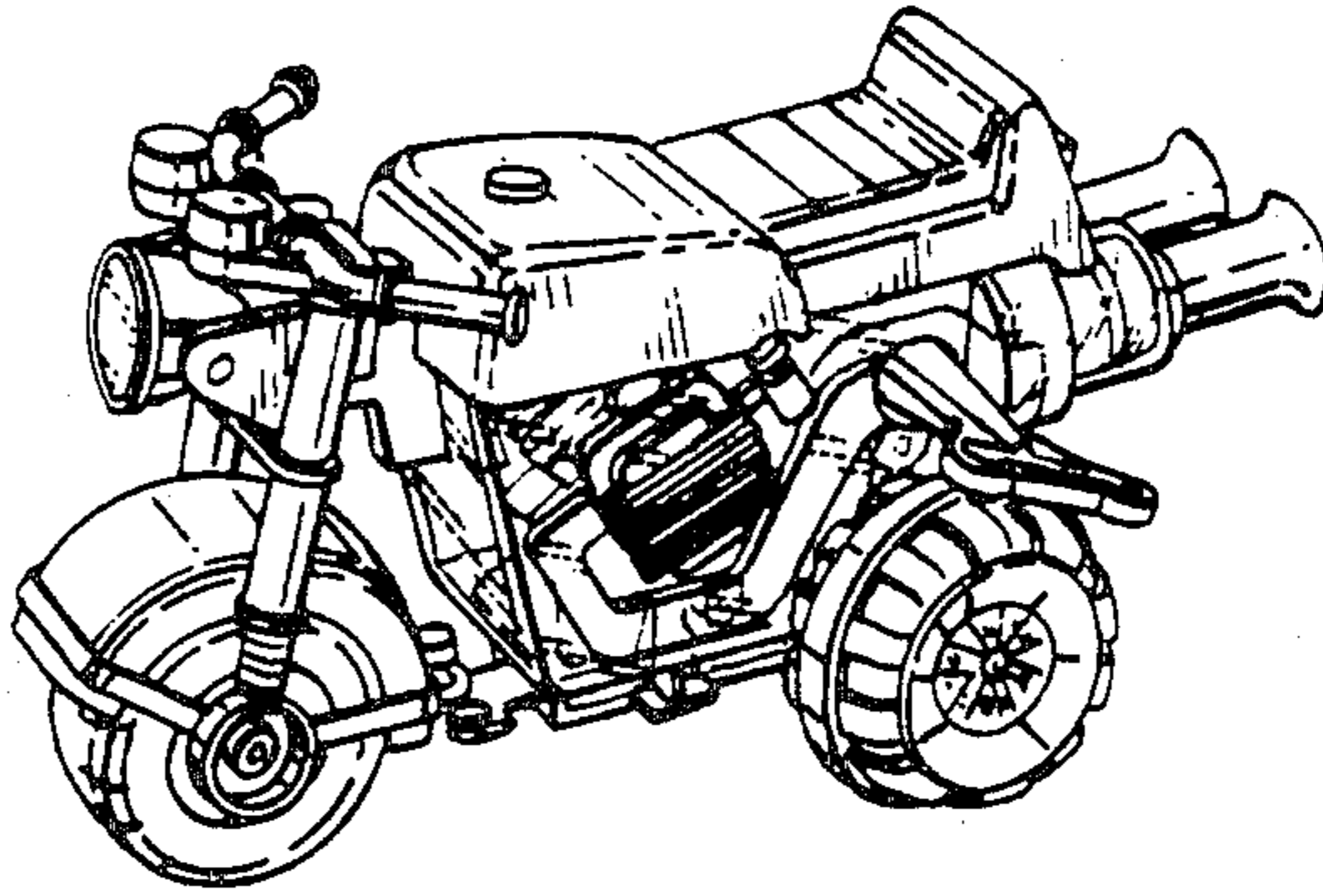


FIG. 2.

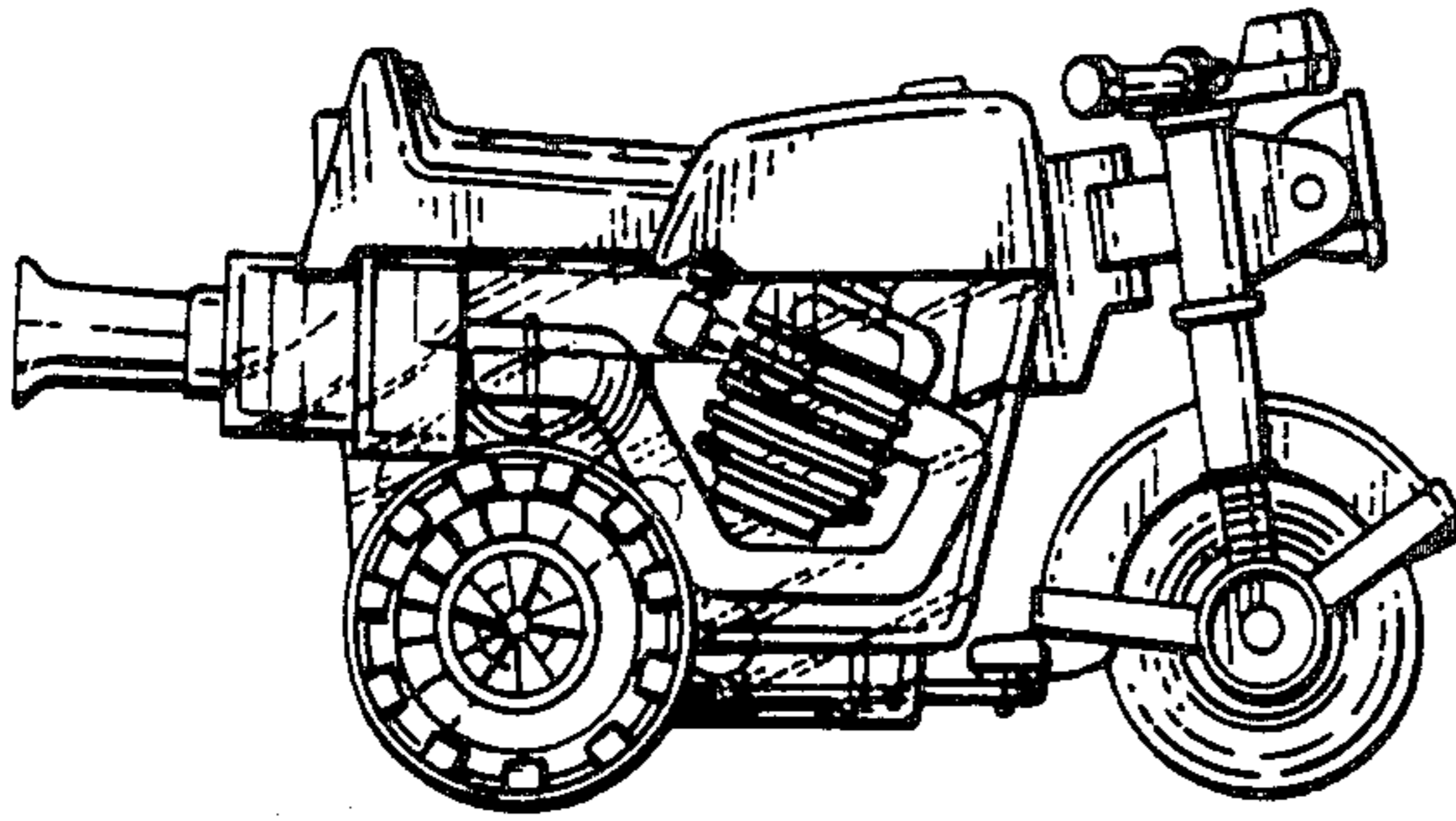


FIG. 3.

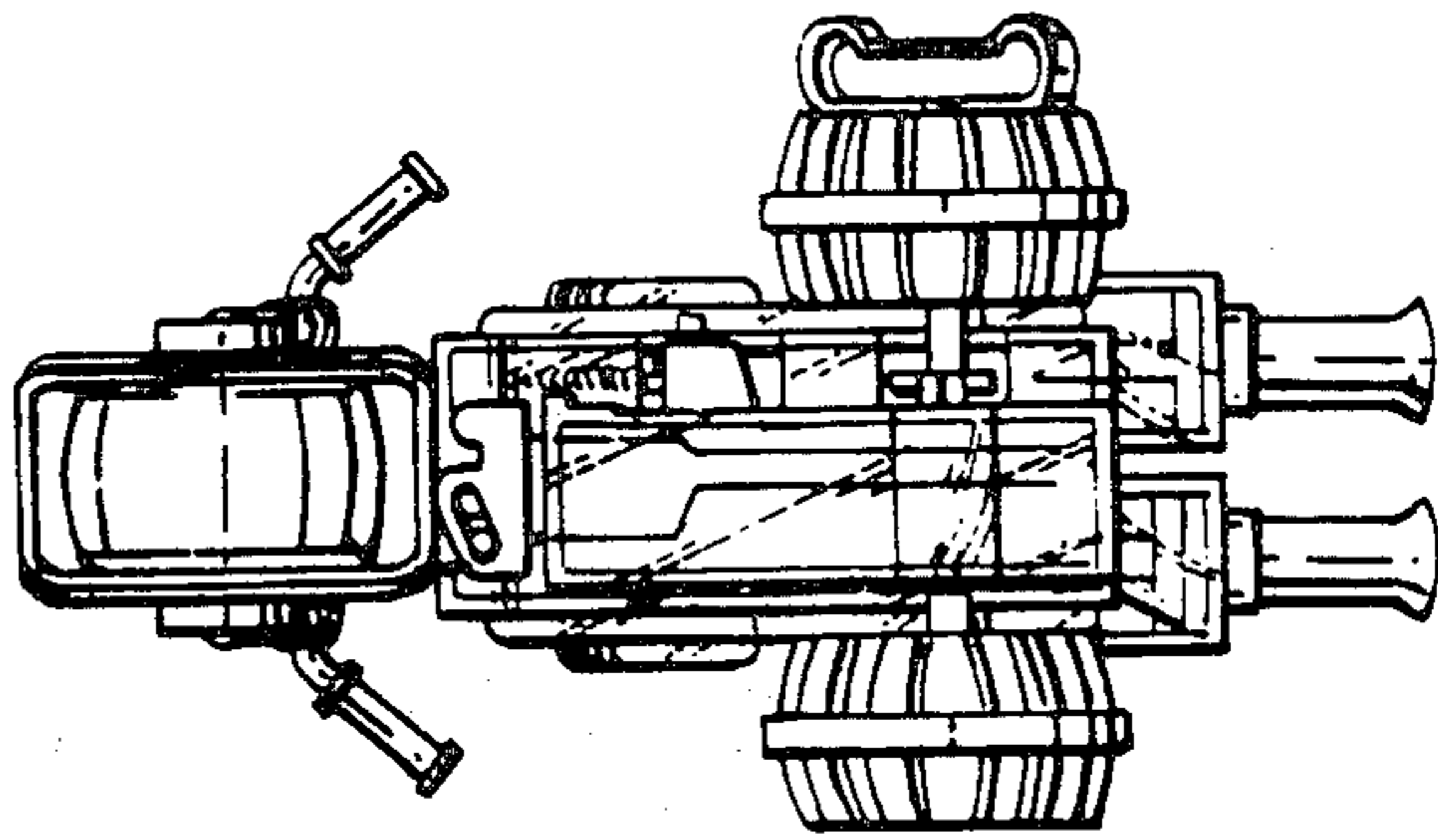


FIG. 4.

