

[54] **TOY TRACTOR**

[76] **Inventor:** James F. Mariol, 481 Dean View Dr., Cincinnati, Ohio 45224

[**] **Term:** 14 Years

[21] **Appl. No.:** 459,779

[22] **Filed:** Jan. 21, 1983

[52] **U.S. Cl.** D21/79

[58] **Field of Search** D21/76, 78, 79, 80, D21/81, 128, 132, 134, 135, 136, 137; 280/1.1 R, 1.11 R, 1.192, 1.204, 87.04, 87.02 R; D15/23

[56] **References Cited**

U.S. PATENT DOCUMENTS

D. 160,887	11/1950	Powell	D21/80
D. 224,298	7/1972	Kermes	D11/23
D. 249,042	8/1978	Hinklin	D15/23
D. 271,876	12/1983	Browning	D15/23

OTHER PUBLICATIONS

Playthings, 2/76, p. 271, Toy Tractor at bottom of page. "Just For Kids" Catalog, Spring-1980, p. 33 Item K, Riding Tractor.

Primary Examiner—Charles A. Rademaker
Attorney, Agent, or Firm—Wood, Herron & Evans

[57] **CLAIM**

The ornamental design for a toy tractor, as shown and described.

DESCRIPTION

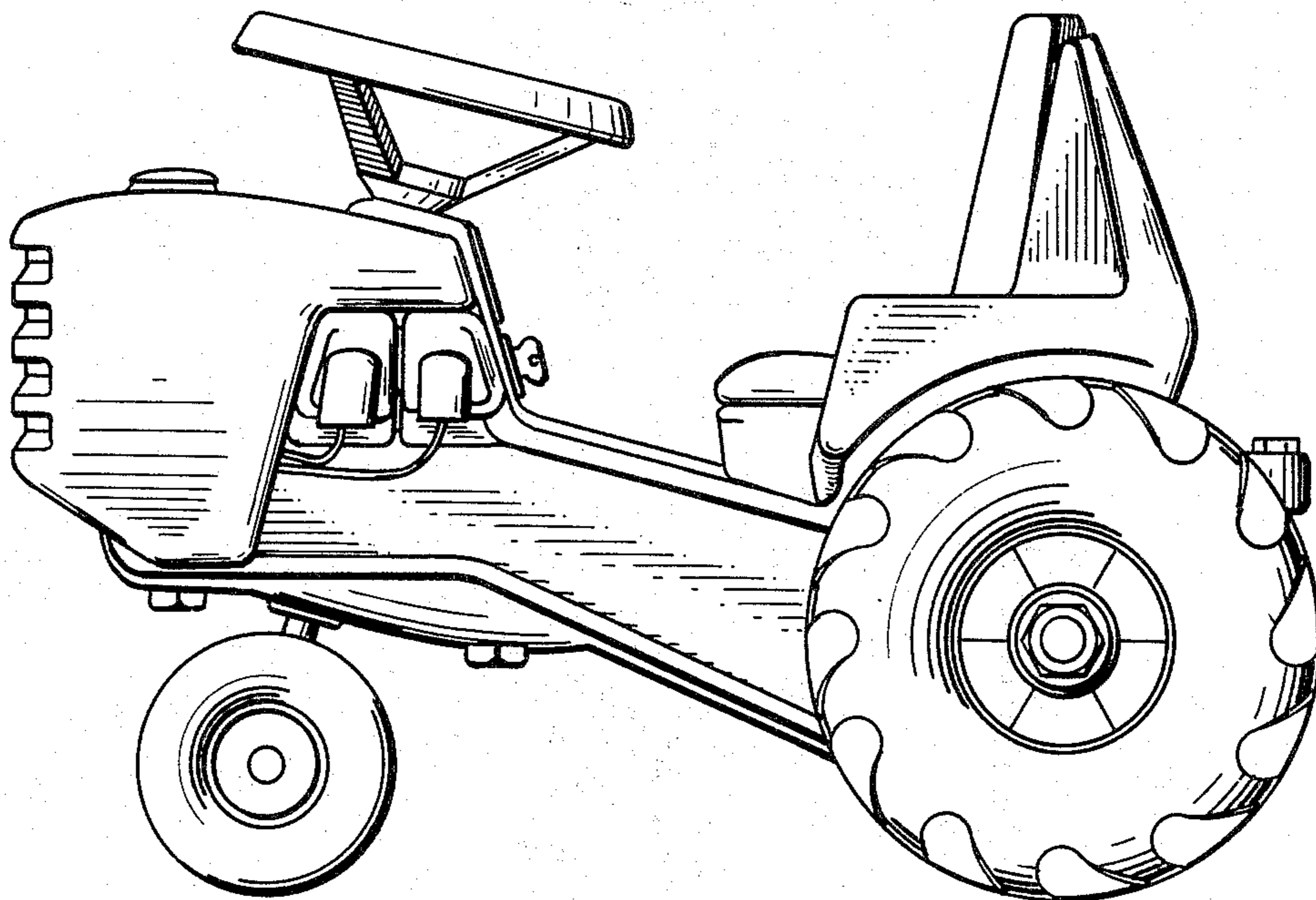
FIG. 1 is a side elevational view of a toy tractor showing my new design, the side opposite being a mirror image;

FIG. 2 is a front elevational view thereof;

FIG. 3 is a top plan view thereof;

FIG. 4 is a rear elevational view thereof;

FIG. 5 is a bottom plan view thereof.



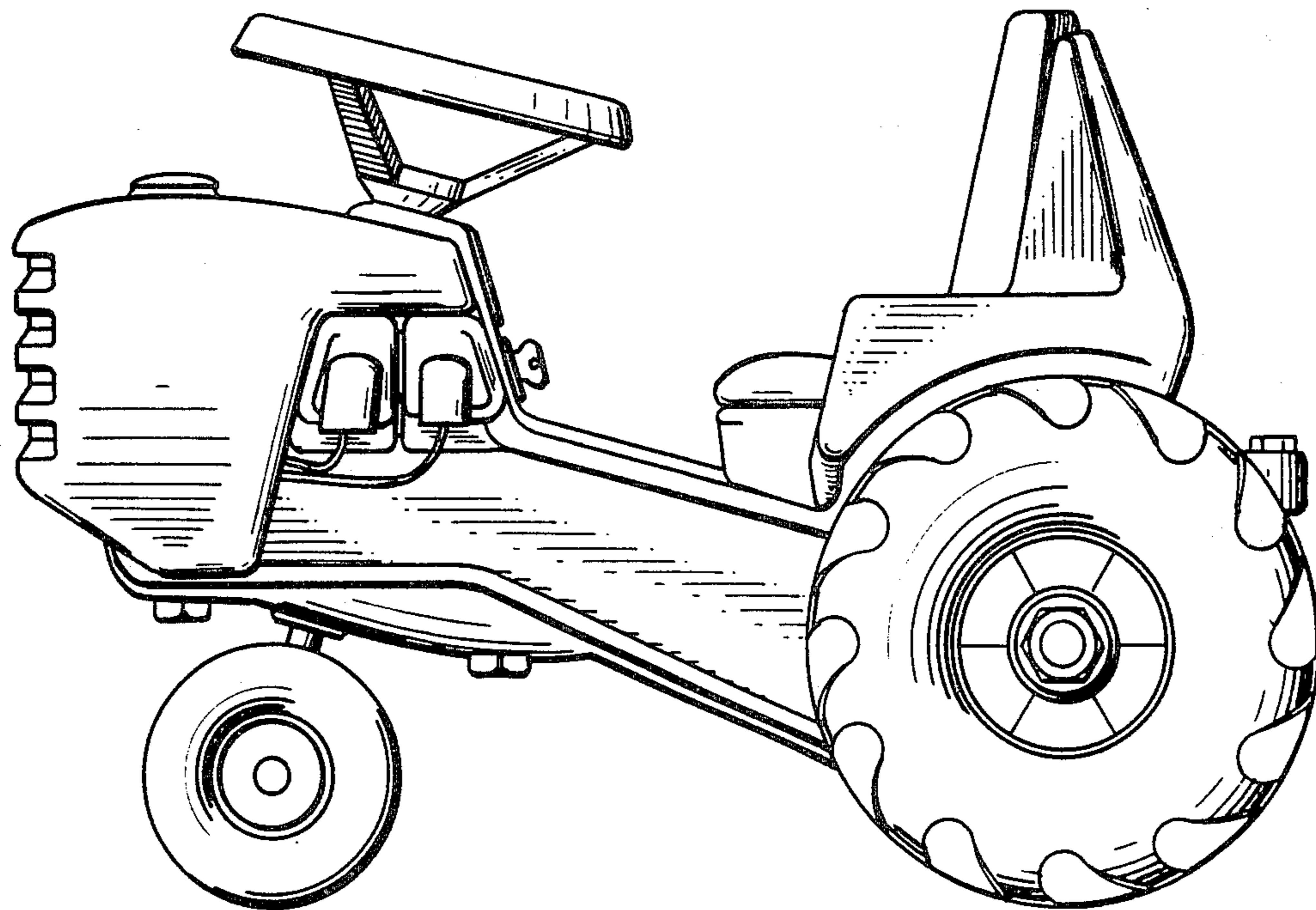


Fig. 1

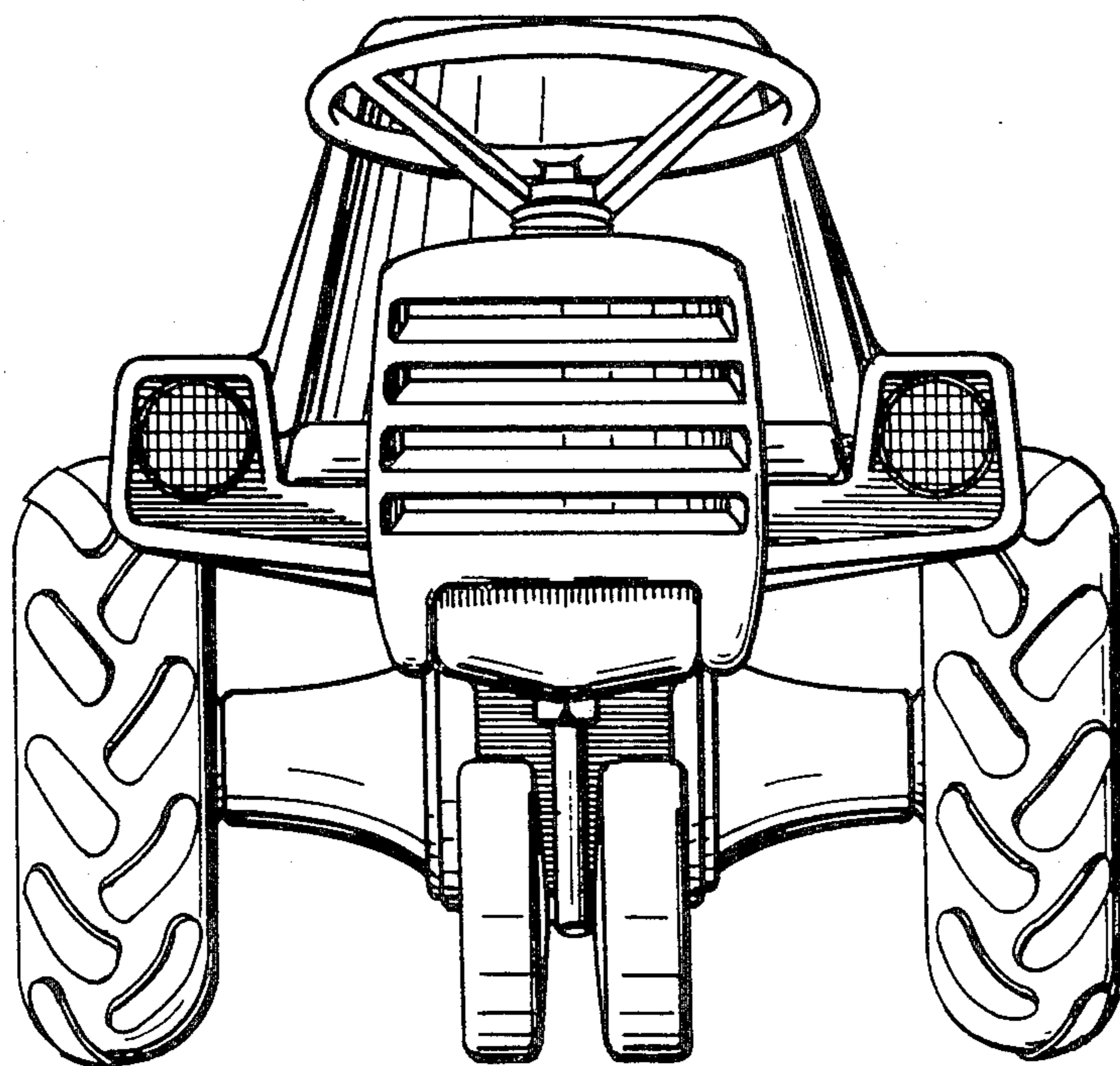


Fig. 2

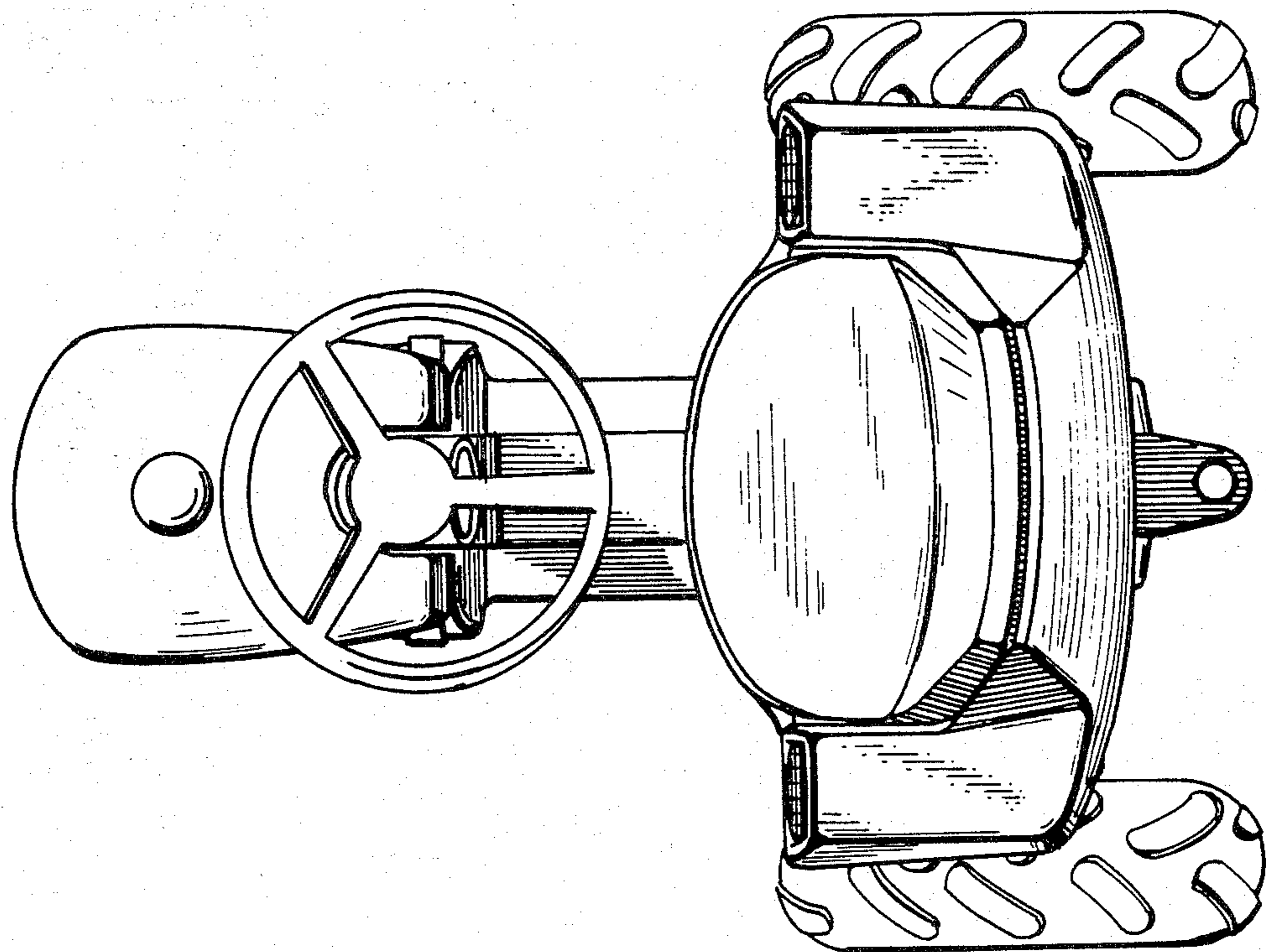


Fig. 3

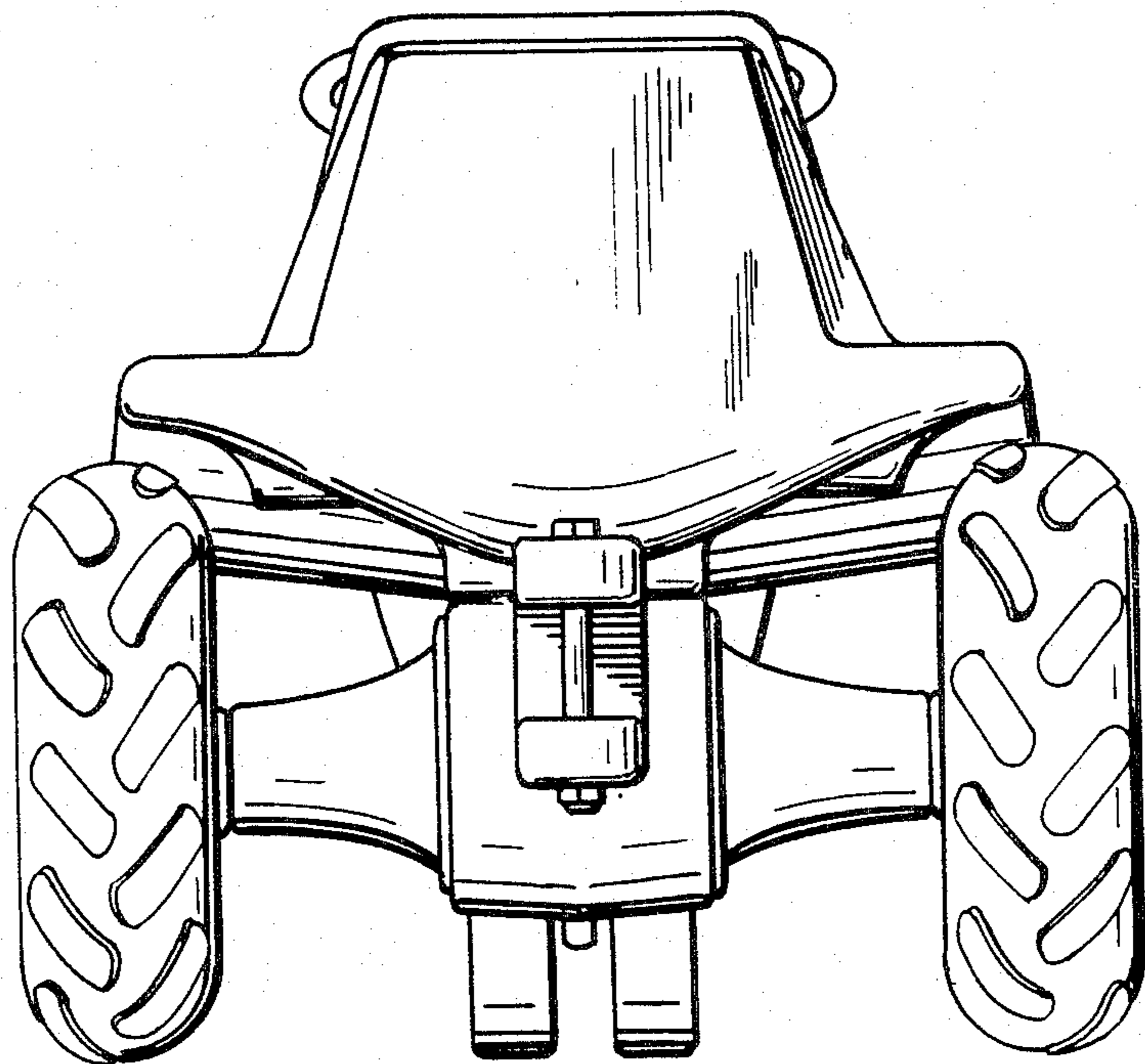


Fig. 4

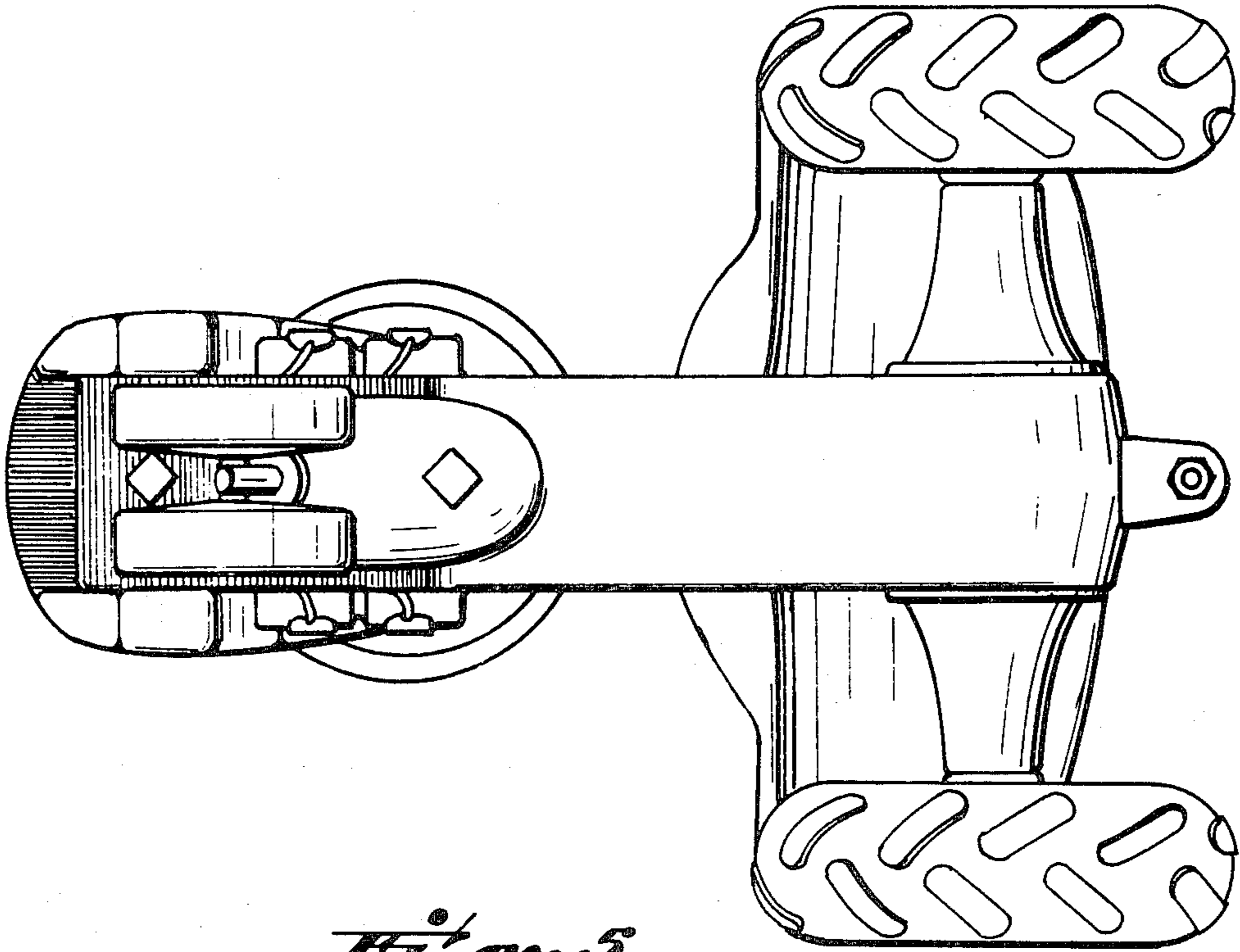


Fig. 5