

[54] PRINTING MACHINE

[75] Inventors: Masakazu Sakamoto, Chiba; Shozo Tanibe; Takashi Mimura, both of Hiroshima, all of Japan

[73] Assignee: Ryobi Ltd., Hiroshima, Japan

[**] Term: 14 Years

[21] Appl. No.: 426,033

[22] Filed: Sep. 28, 1982

[30] Foreign Application Priority Data

Apr. 2, 1982 [JP] Japan 57-14181
[52] U.S. Cl. D18/13
[58] Field of Search D18/13, 22, 99;
101/132.5, 141, 147

[56] References Cited

U.S. PATENT DOCUMENTS

D. 263,242 3/1982 Hiraishi et al. D18/13
D. 265,210 6/1982 Hiraishi et al. D18/13
D. 273,016 3/1984 Hiraishi et al. D18/13

Primary Examiner—Louis S. Zarfes
Attorney, Agent, or Firm—Sughrue, Mion, Zinn,
Macpeak and Seas

[57] CLAIM

The ornamental design for a printing machine, as shown.

DESCRIPTION

FIG. 1 is a front, and right side perspective view of a printing machine showing our new design; FIG. 2 is a front elevational view thereof; FIG. 3 is a rear elevational view thereof; FIG. 4 is a top plan view thereof; FIG. 5 is a left side elevational view thereof; and FIG. 6 is a right side elevational view thereof.

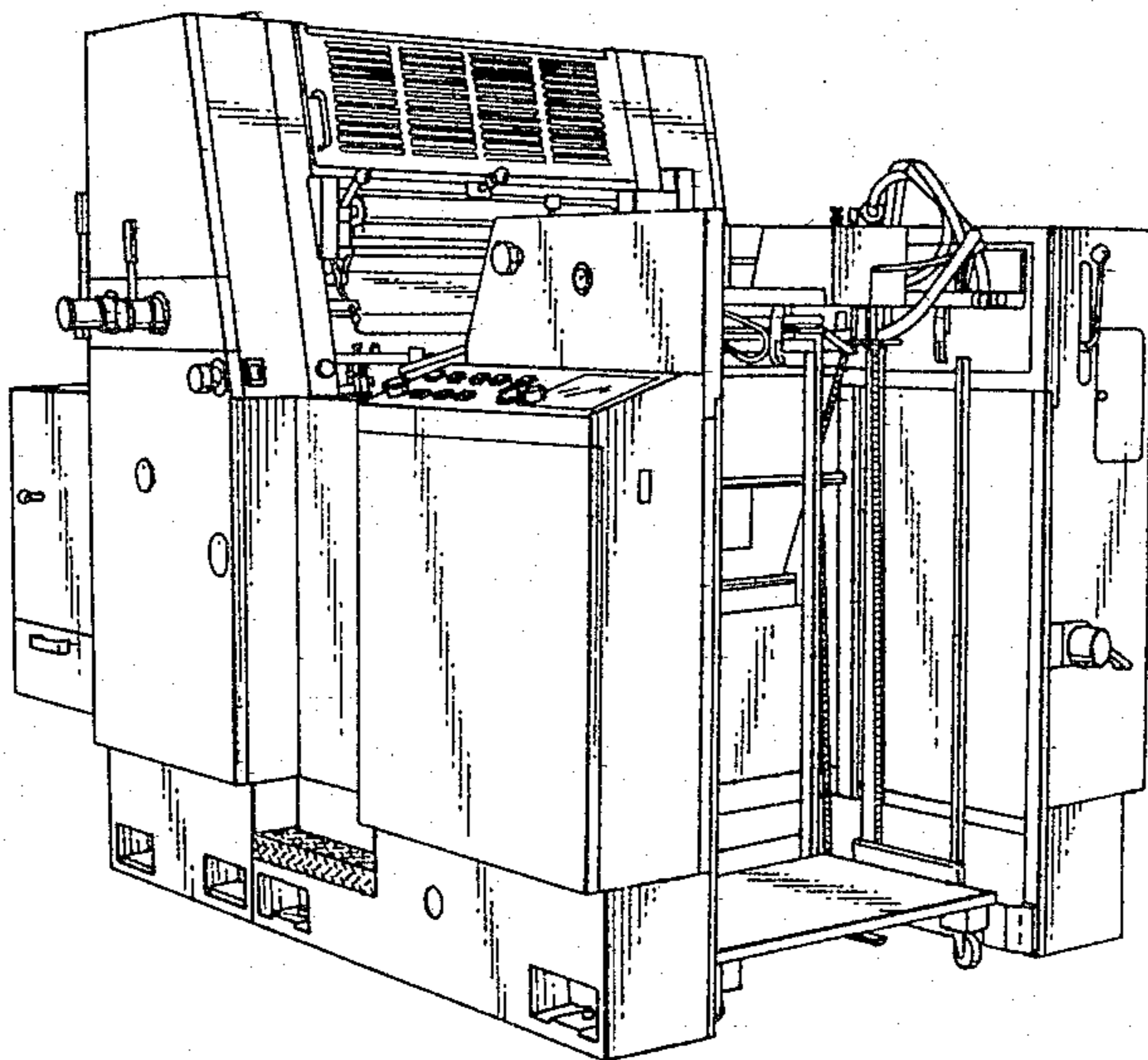


Fig. 1

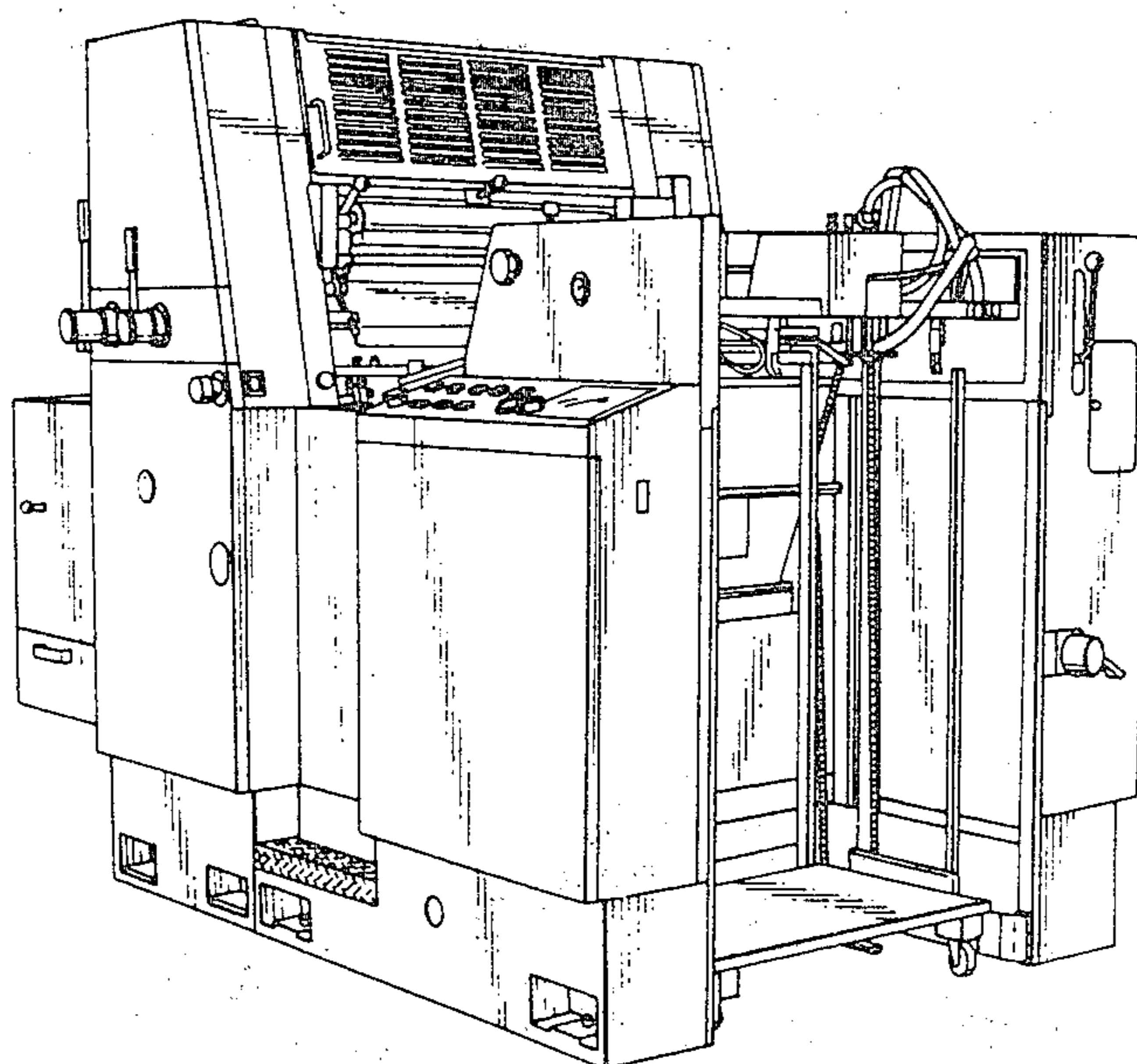


Fig. 2

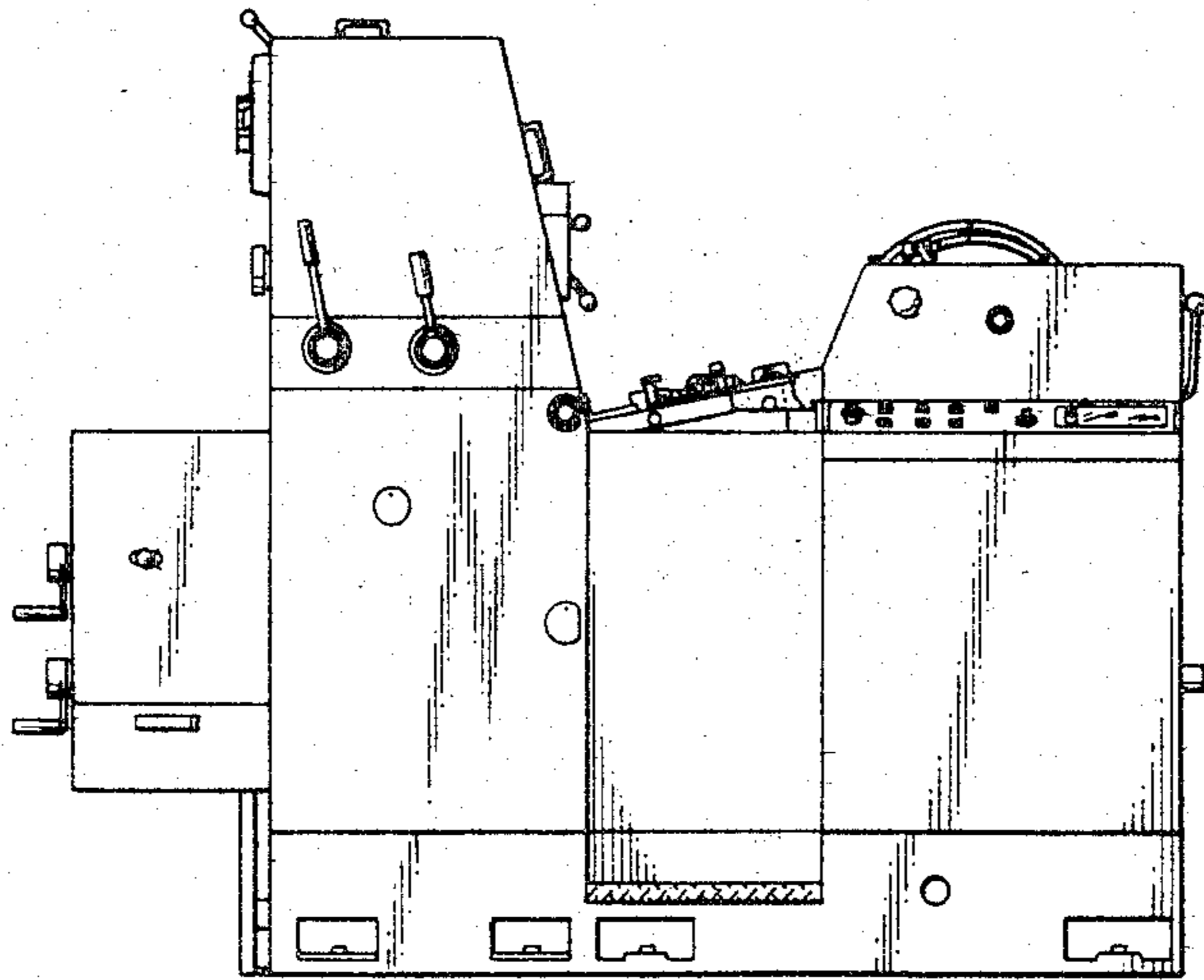


Fig. 3

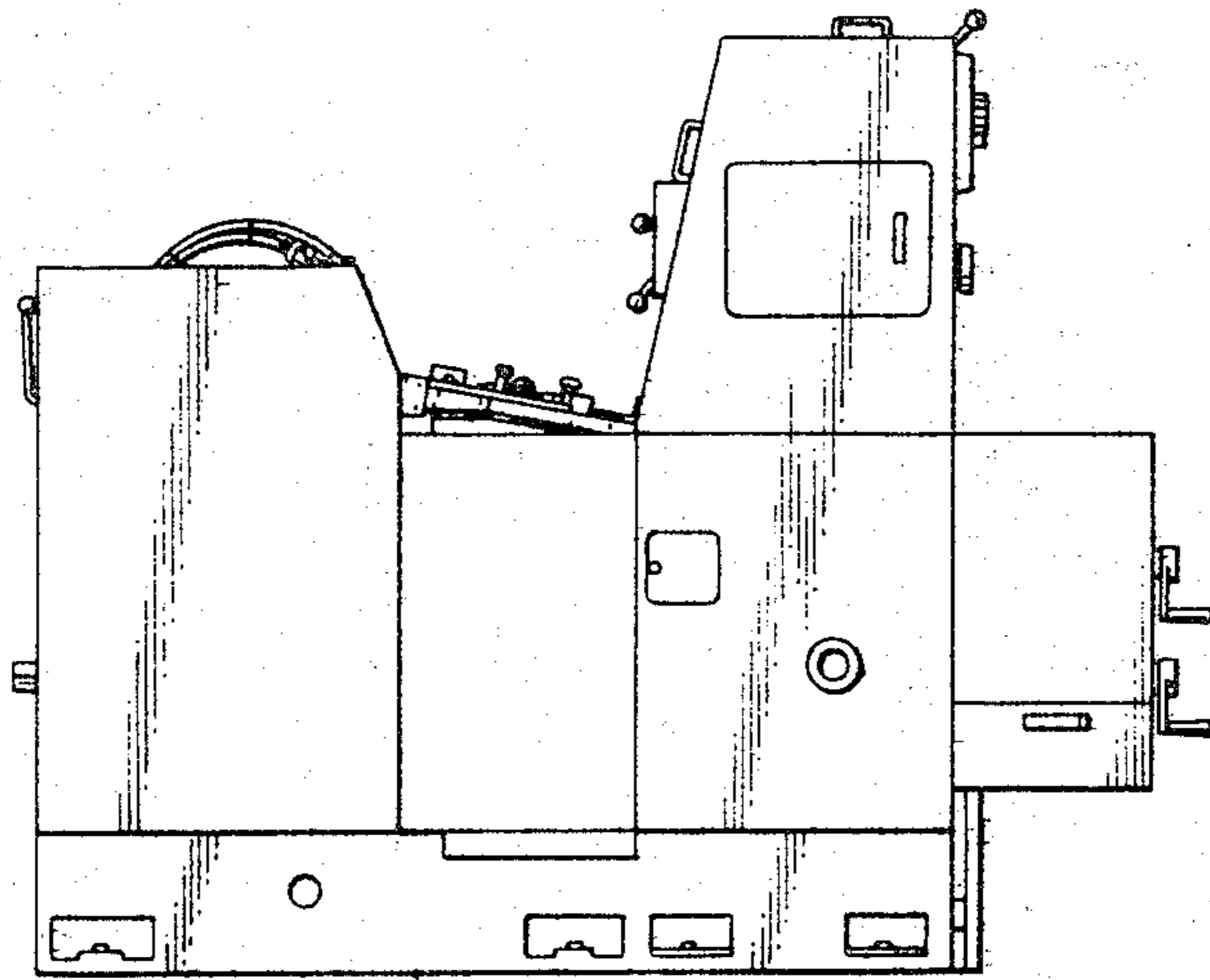


Fig. 4

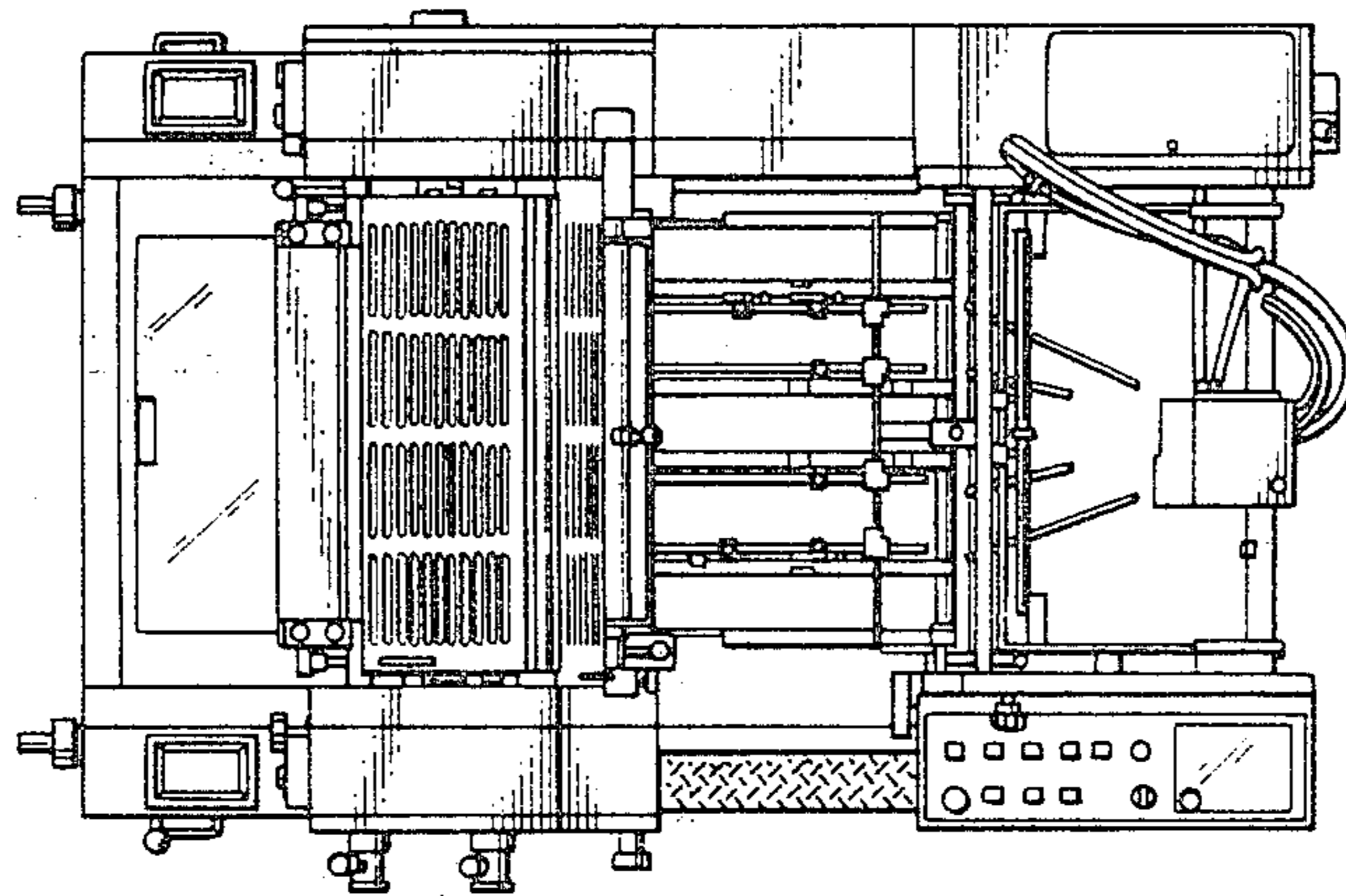


Fig. 5

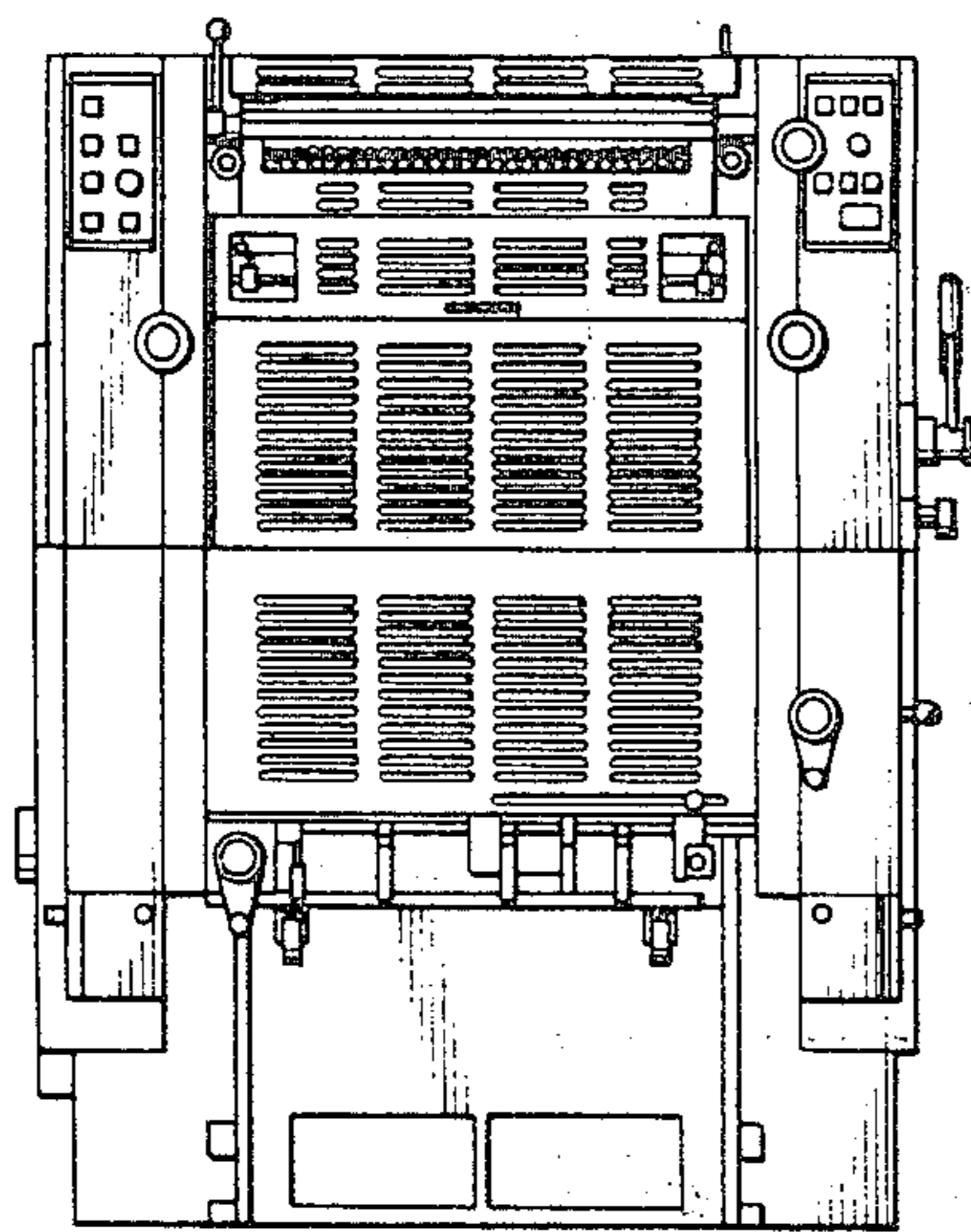


Fig. 6

