

[54] BALANCE MEASURING APPARATUS FOR MACHINERY

[75] Inventors: Louis D. Wilson, Folsom; Wesley G. Wilson, Sunnyvale; Mark Vrillakas, West Sacramento, all of Calif.

[73] Assignee: Drive Line Service, Incorporated, Sacramento, Calif.

[**] Term: 14 Years

[21] Appl. No.: 424,275

[22] Filed: Sep. 27, 1982

[52] U.S. Cl. D15/138

[58] Field of Search D15/138-143; 73/66, 460

[56] References Cited

U.S. PATENT DOCUMENTS

2,439,035	4/1948	Bidwell et al.	73/66
2,937,613	5/1960	Laish	73/66

OTHER PUBLICATIONS

Precision Bearing McGill, 5/81, p. 20, Camrol bearing #CCFE-b in lower half of page.

Primary Examiner—Wallace R. Burke

Assistant Examiner—Susan Gitlin

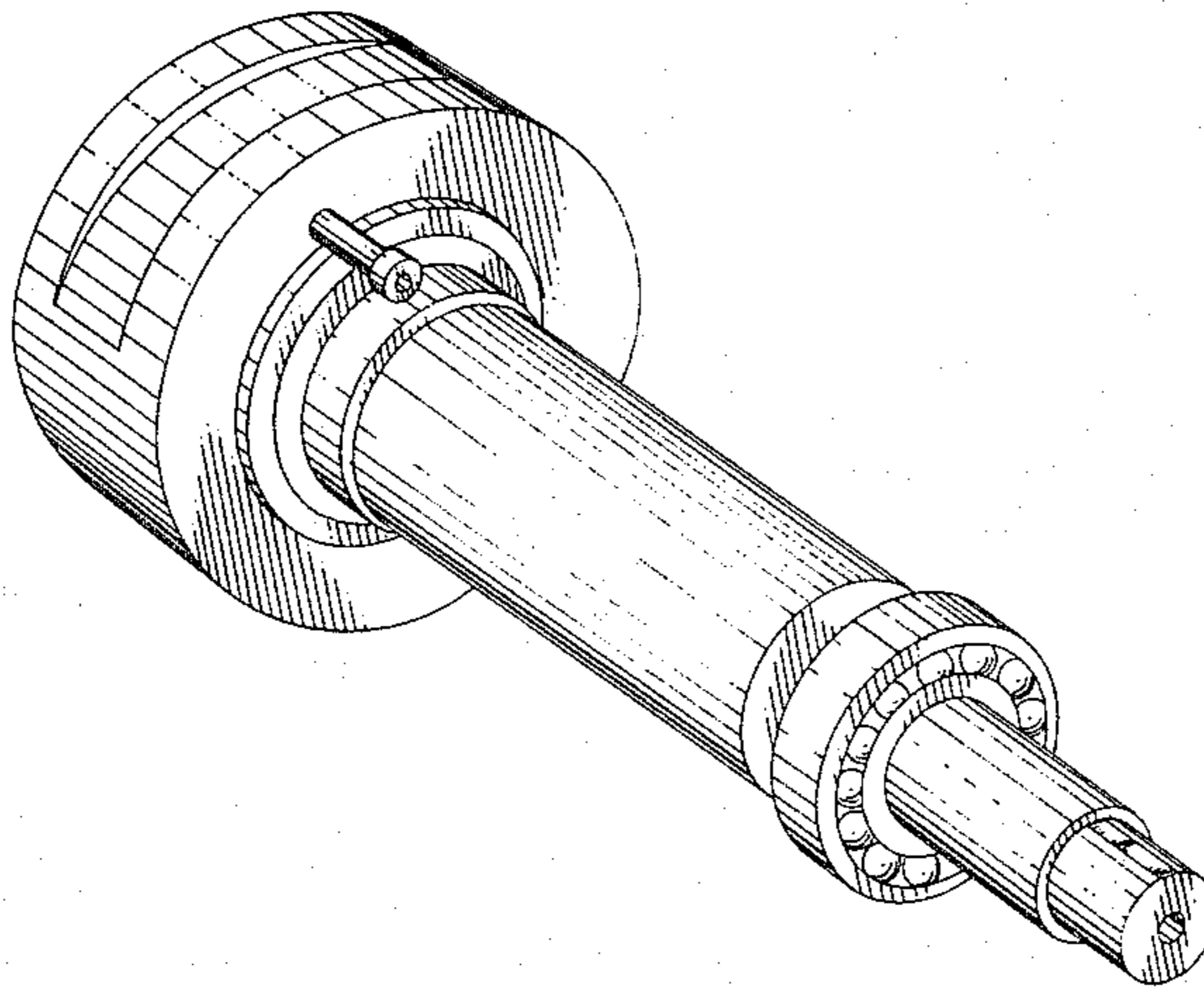
Attorney, Agent, or Firm—Lothrop & West

[57] CLAIM

The ornamental design for a balance measuring apparatus for machinery, as shown and described.

DESCRIPTION

FIG. 1 is a front perspective view of a balance measuring apparatus for machinery showing our new design; FIG. 2 is a front elevational view thereof; FIG. 3 is a rear elevational view; FIG. 4 is an elevational view of one side, the opposite side being a mirror image thereof; FIG. 5 is a top plan view; FIG. 6 is a bottom plan view; and, FIG. 7 is a transverse section taken on the line 7—7 in FIG. 5.



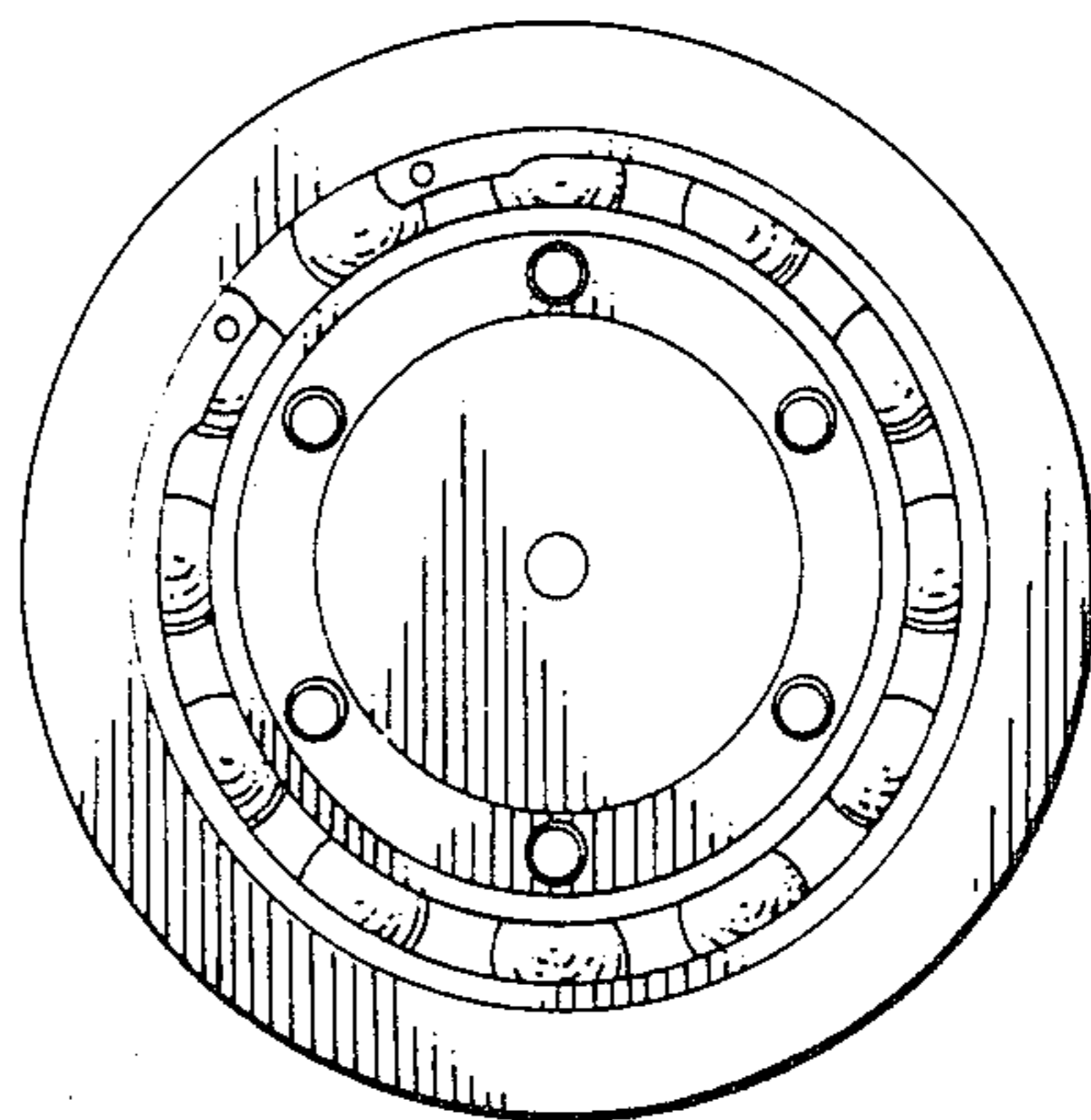
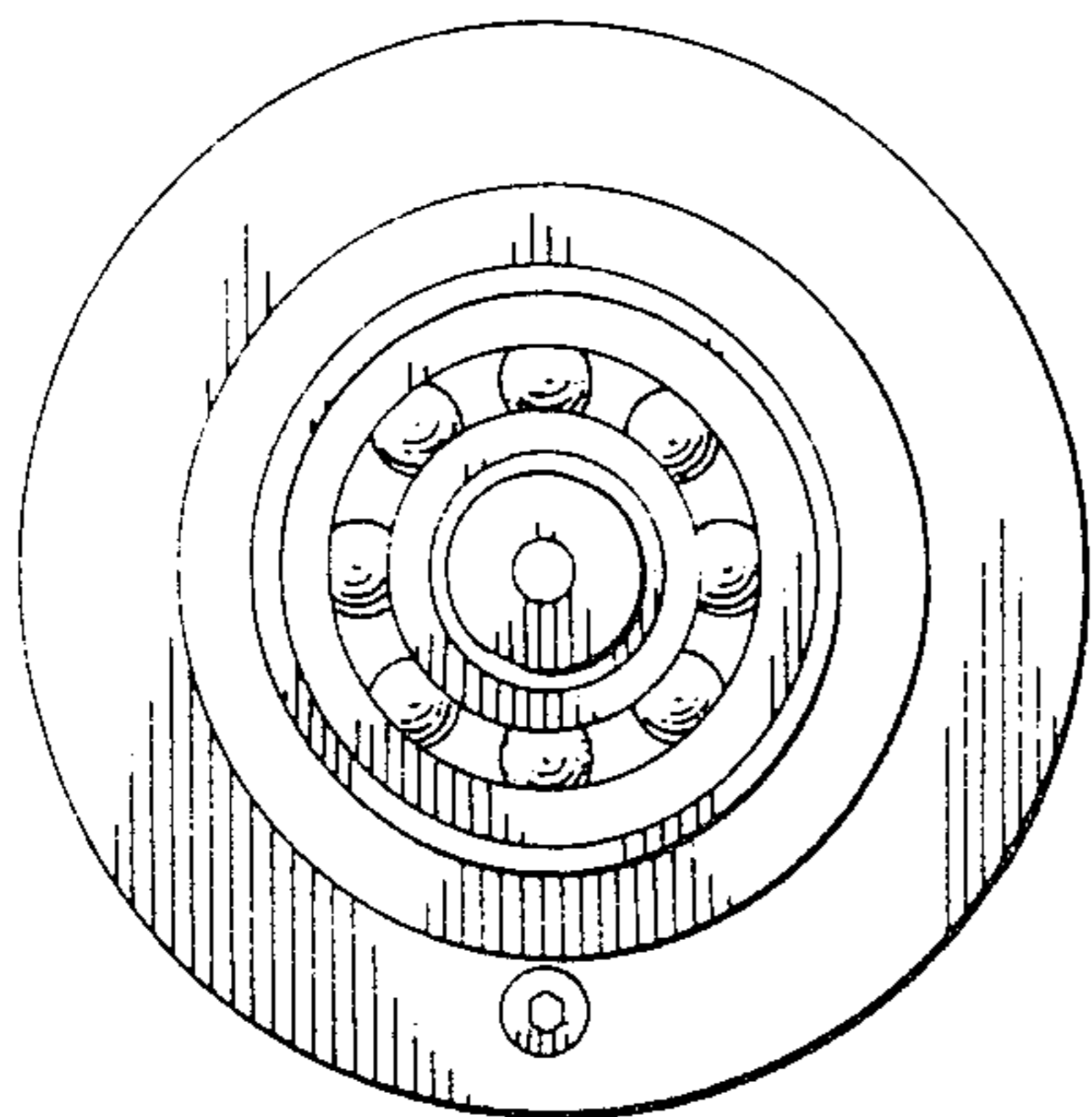
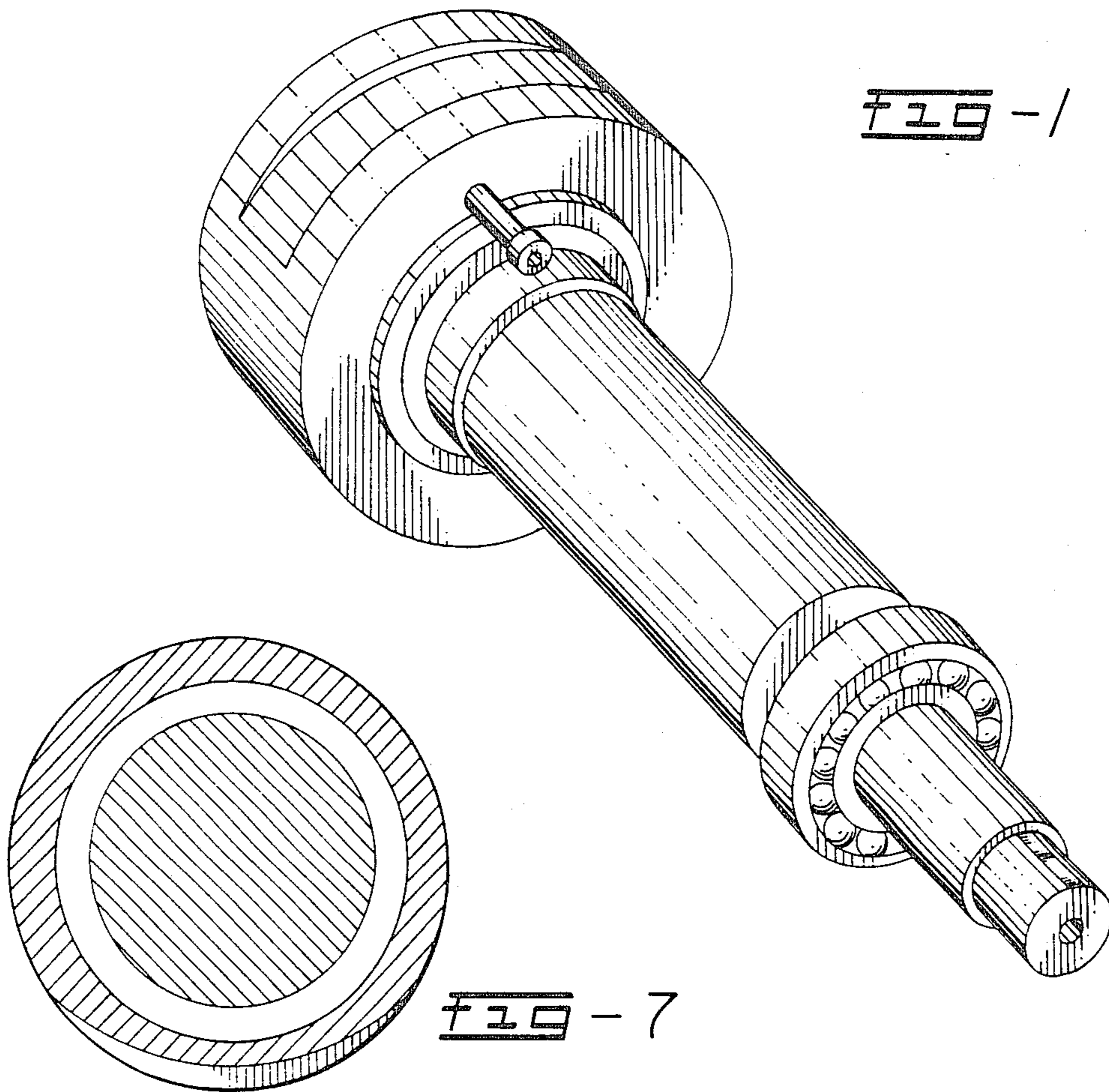


FIG-4

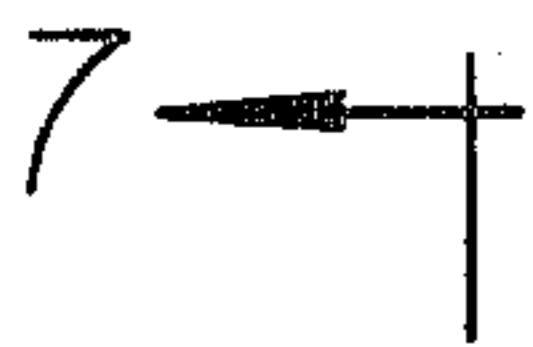
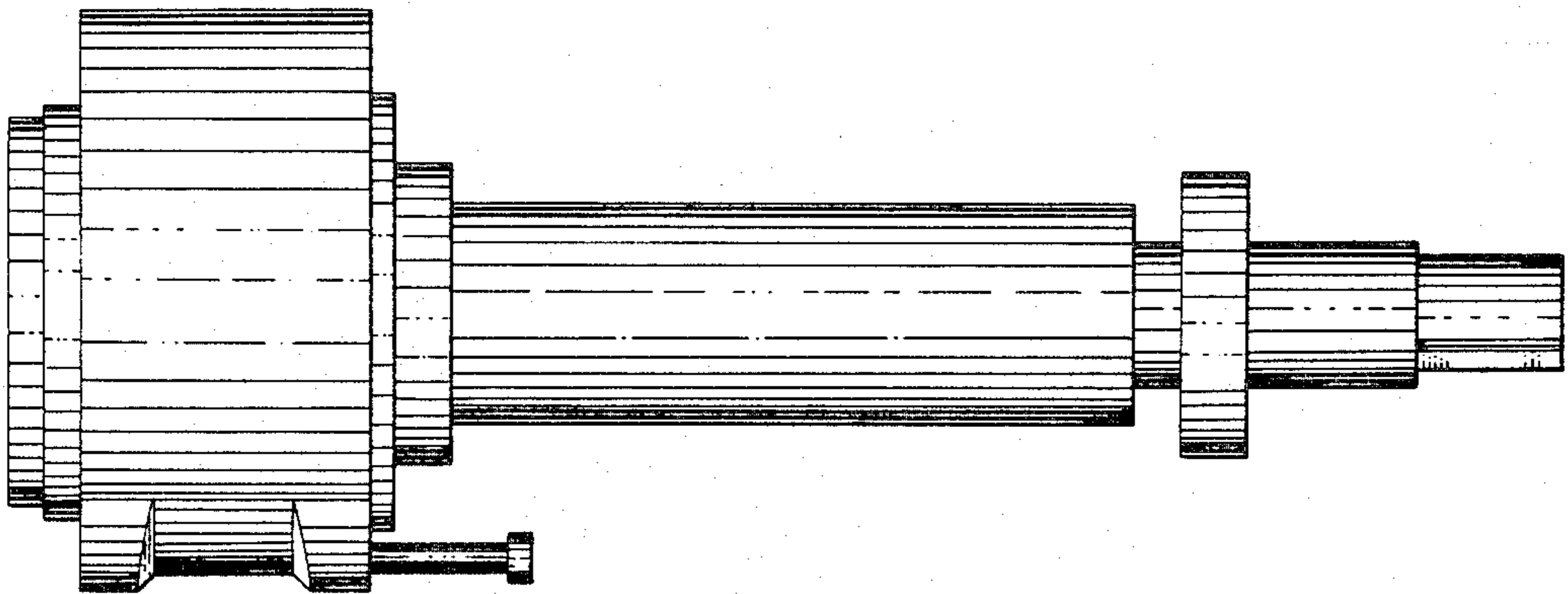


FIG-5

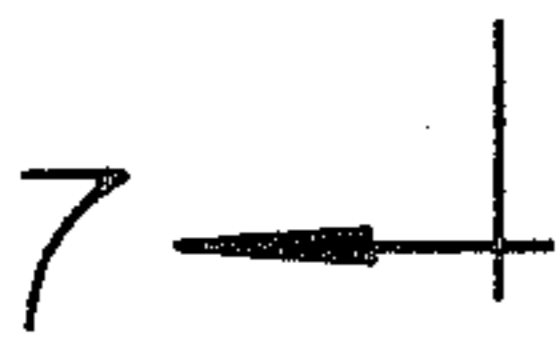
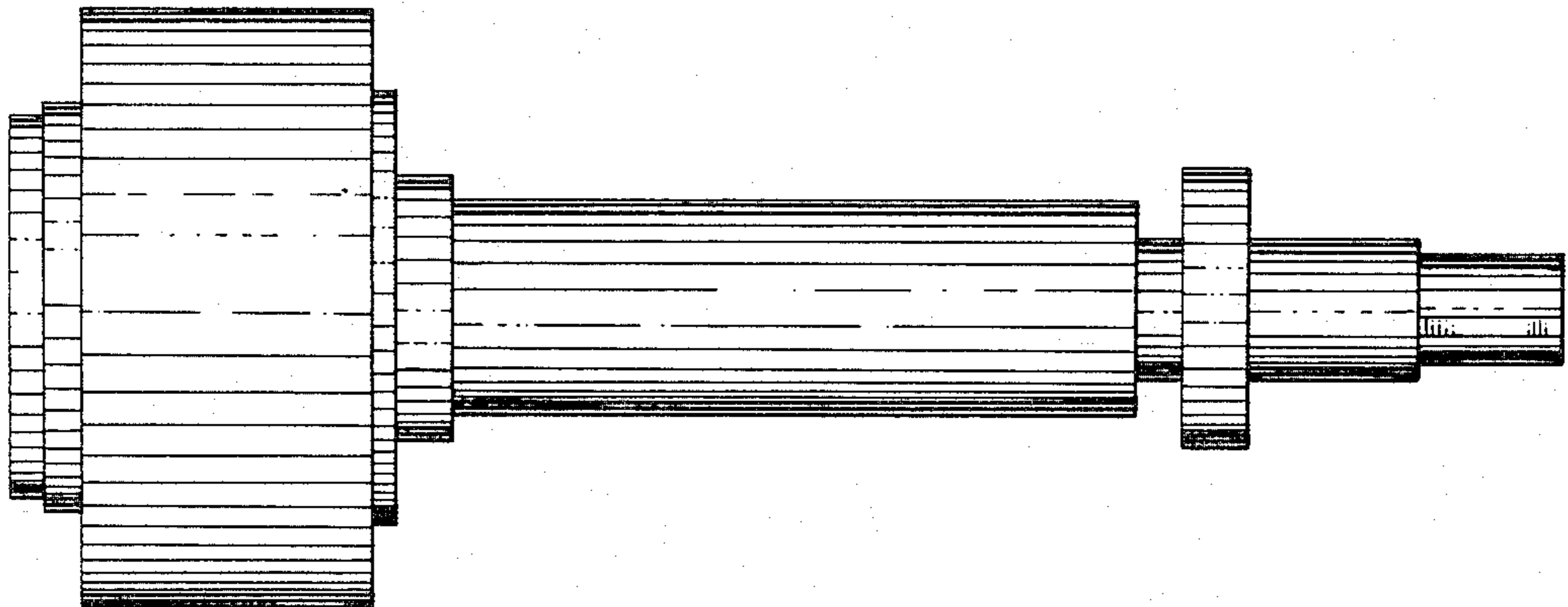


FIG-6

