

[54] SURFACE GRINDING MACHINE

[75] Inventors: Raymond J. Guertin, East Greenwich; Chuhong Kang, North Kingston; Peter P. Matthews, West Warwick, all of R.I.

[73] Assignee: Brown & Sharpe Manufacturing Company, North Kingstown, R.I.

[**] Term: 14 Years

[21] Appl. No.: 415,685

[22] Filed: Sep. 7, 1982

[52] U.S. Cl. D15/124

[58] Field of Search D15/124-126; 51/72, 165 R, 165.71, 165 TP

[56] References Cited

U.S. PATENT DOCUMENTS

- D. 137,121 1/1944 Wilson D15/124
- D. 201,289 6/1965 Heubi D15/124

- 2,986,852 6/1961 Wilson 51/165 R
- 3,039,237 6/1962 Peterson 51/165 R
- 3,606,703 9/1971 Kraffy et al. 51/165 TC
- 3,942,287 3/1976 Tokunaga et al. 51/165 TP
- 4,274,231 6/1981 Verega 51/165.71

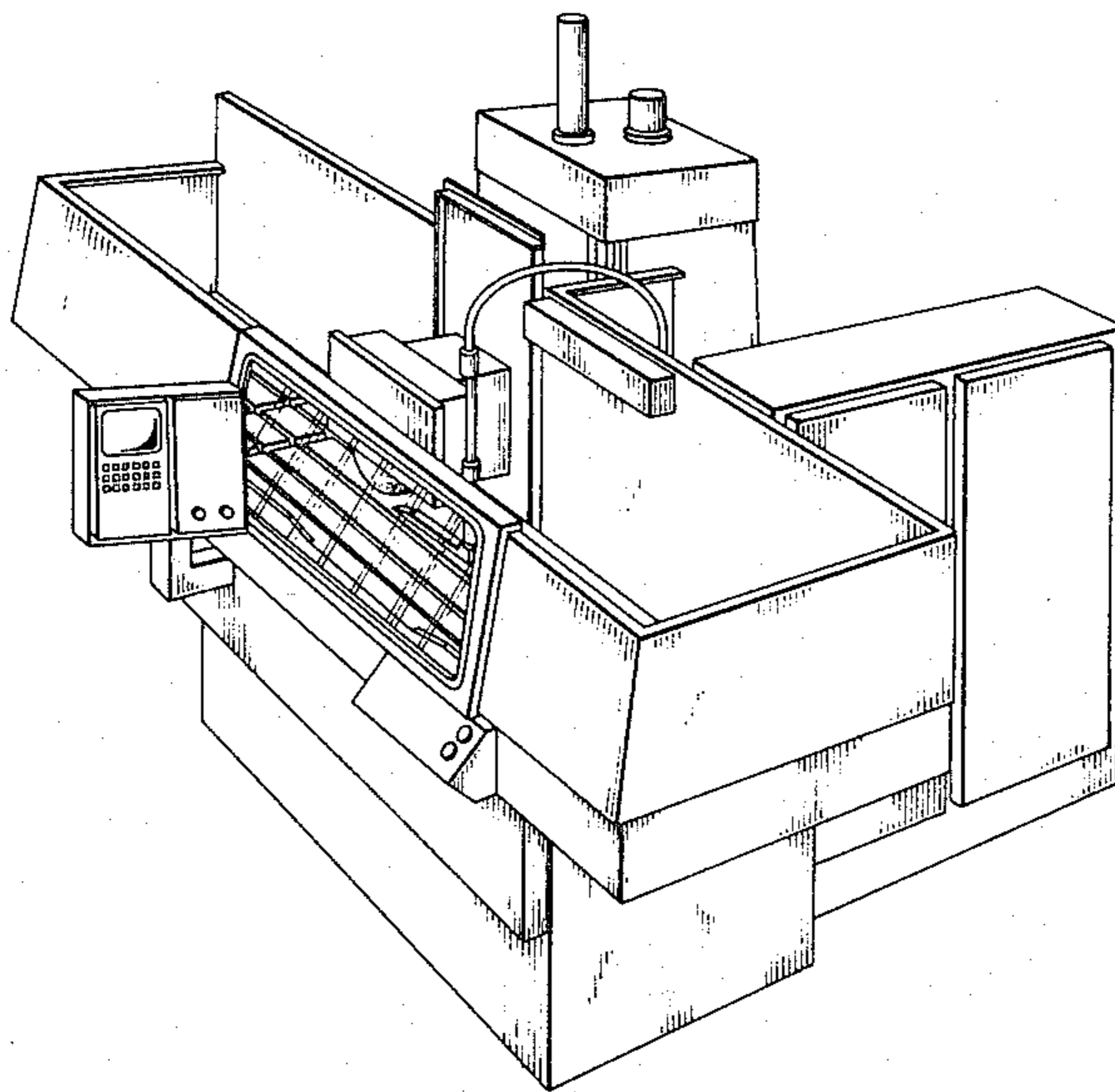
Primary Examiner—B. J. Bullock
Attorney, Agent, or Firm—Wolf, Greenfield & Sacks

[57] CLAIM

The ornamental design for a surface grinding machine, as shown.

DESCRIPTION

FIG. 1 is a front perspective view of a surface grinding machine showing our new design; FIG. 2 is a front view thereof; FIG. 3 is a top view thereof; FIG. 4 is a right side view taken from the right of FIG. 1; FIG. 5 is a side view taken from the left of FIG. 1; and FIG. 6 is a back view thereof.



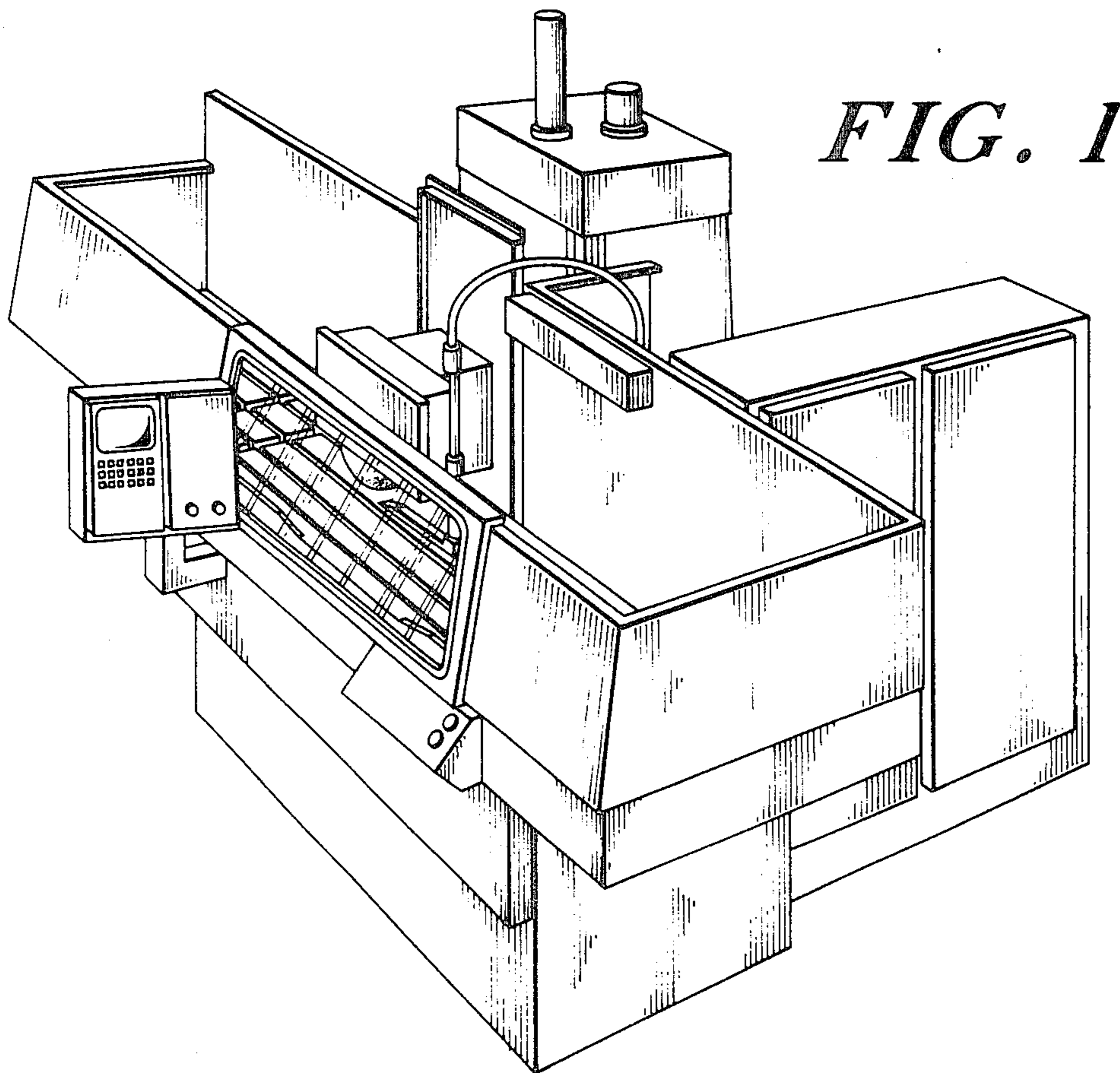


FIG. 1

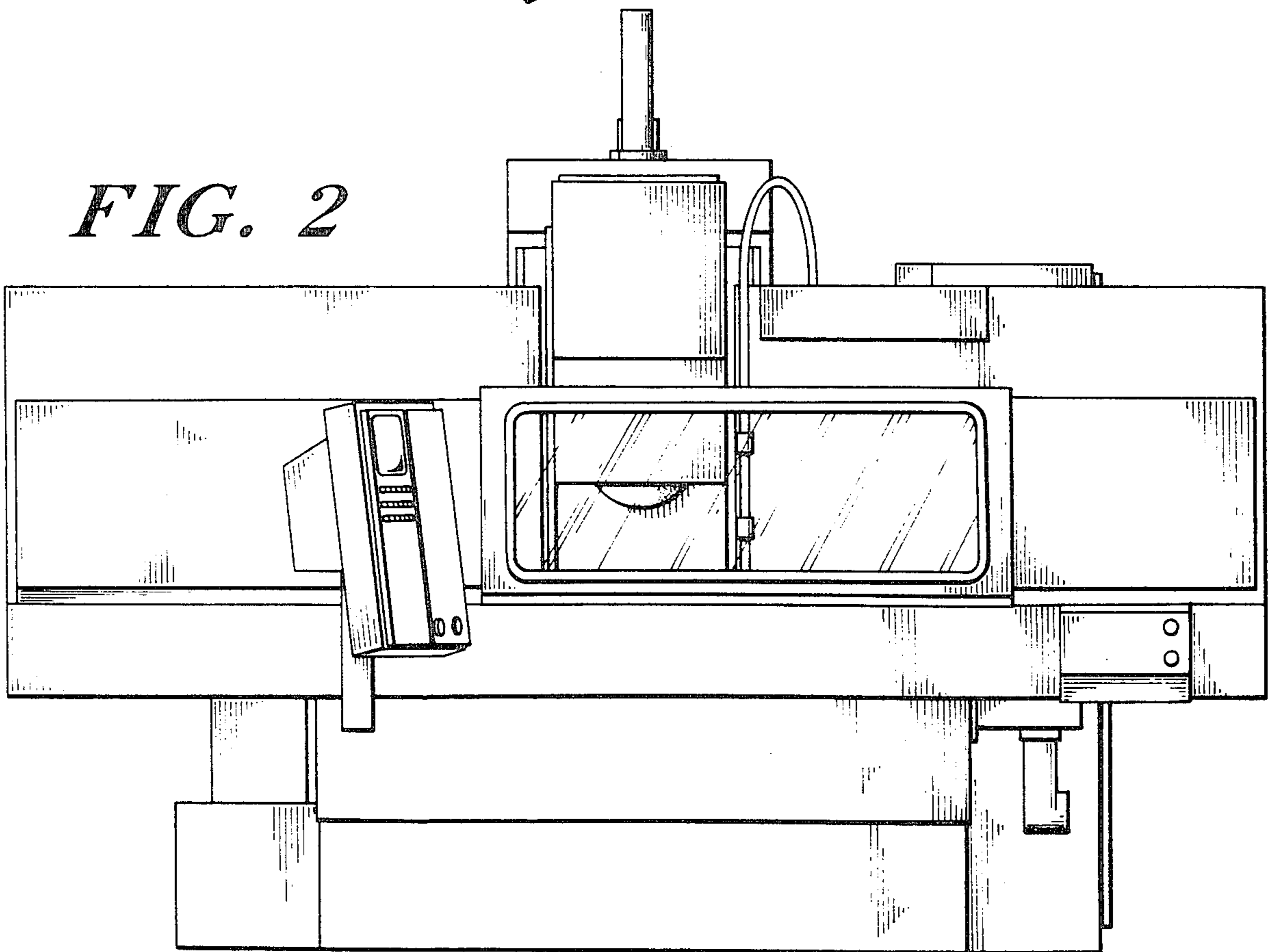


FIG. 2

FIG. 3

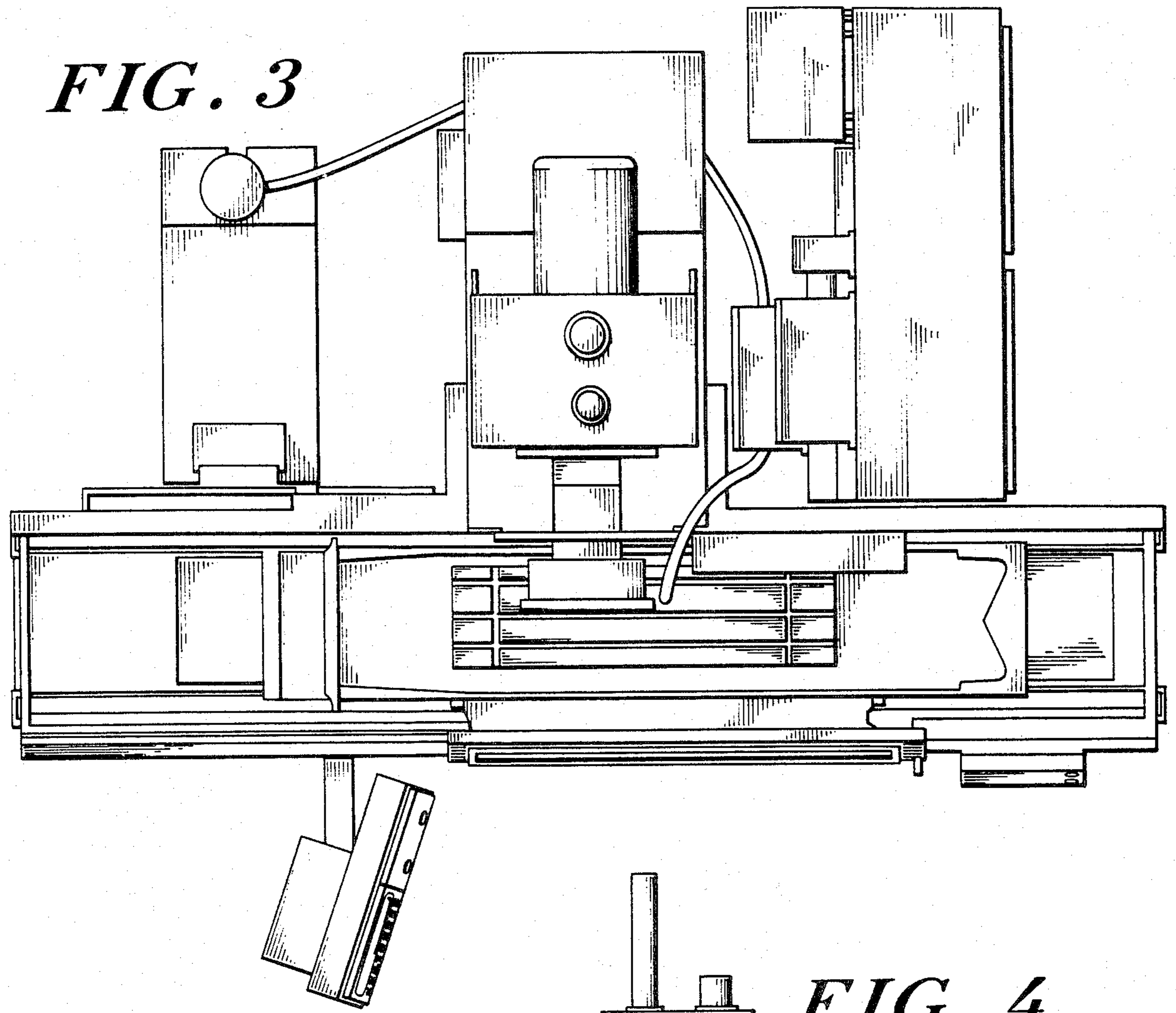


FIG. 4

