

# United States Patent [19]

Todd

[11] Patent Number: **Des. 277,749**

[45] Date of Patent: **\*\* Feb. 26, 1985**

[54] **ELECTRICAL CLAMP CONNECTOR**

[75] Inventor: **Jerald C. Todd**, Birmingham, Ala.

[73] Assignee: **Square D Company**, Palatine, Ill.

[\*\*] Term: **14 Years**

[21] Appl. No.: **400,204**

[22] Filed: **Jul. 20, 1982**

[52] U.S. Cl. .... **D13/24; D8/396**

[58] Field of Search ..... **D13/24; 339/270, 270 F;  
D8/394, 396; 24/135 R**

[56] **References Cited**

**U.S. PATENT DOCUMENTS**

D. 246,366 11/1977 McGrath ..... D13/24  
2,086,090 7/1937 Ohlson ..... 339/270 F

2,193,691 3/1940 Johnson et al. .... 339/270 F

**FOREIGN PATENT DOCUMENTS**

716512 10/1945 United Kingdom ..... 339/270 F

*Primary Examiner*—Susan J. Lucas

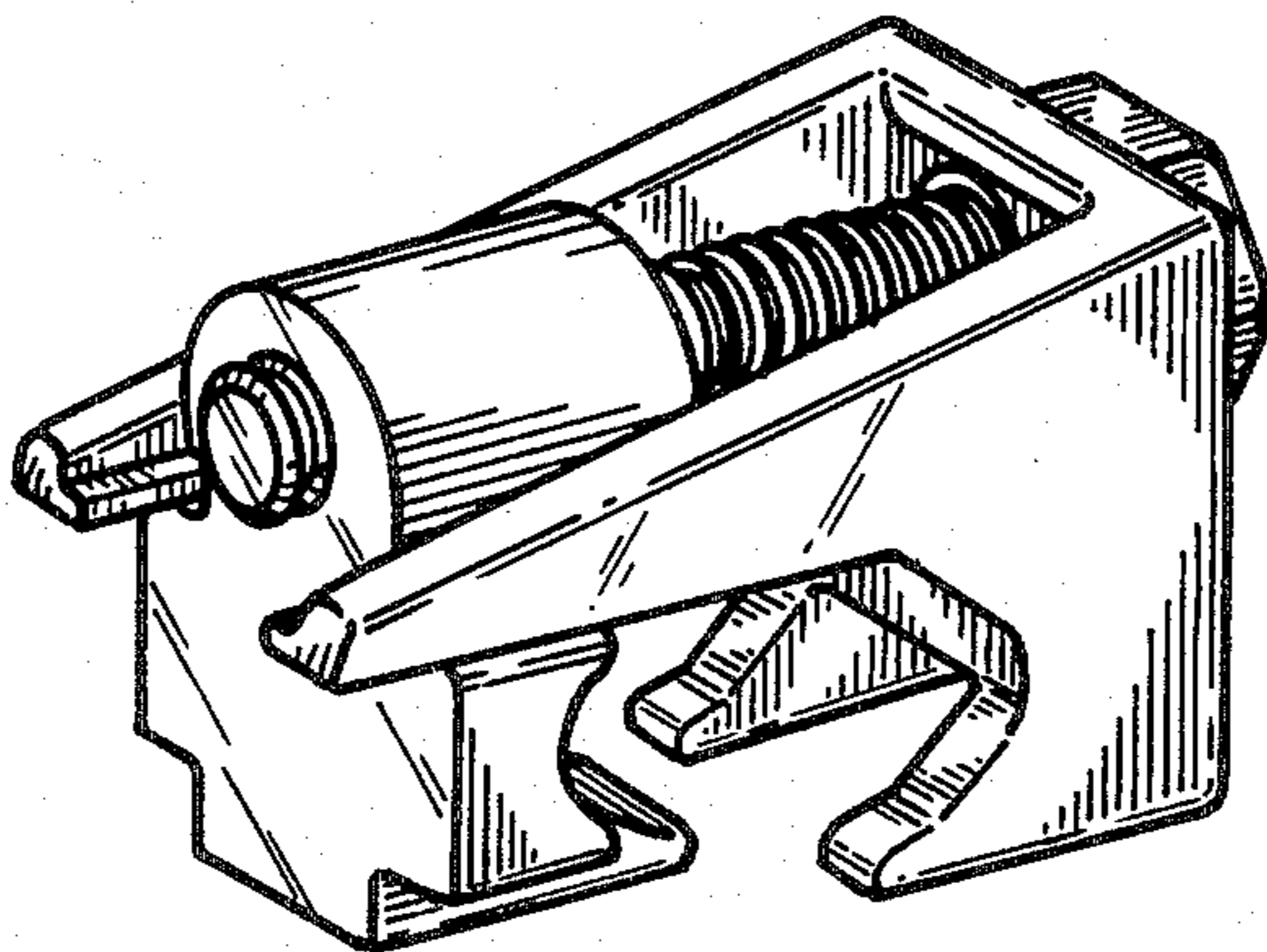
*Attorney, Agent, or Firm*—Stephen A. Litchfield

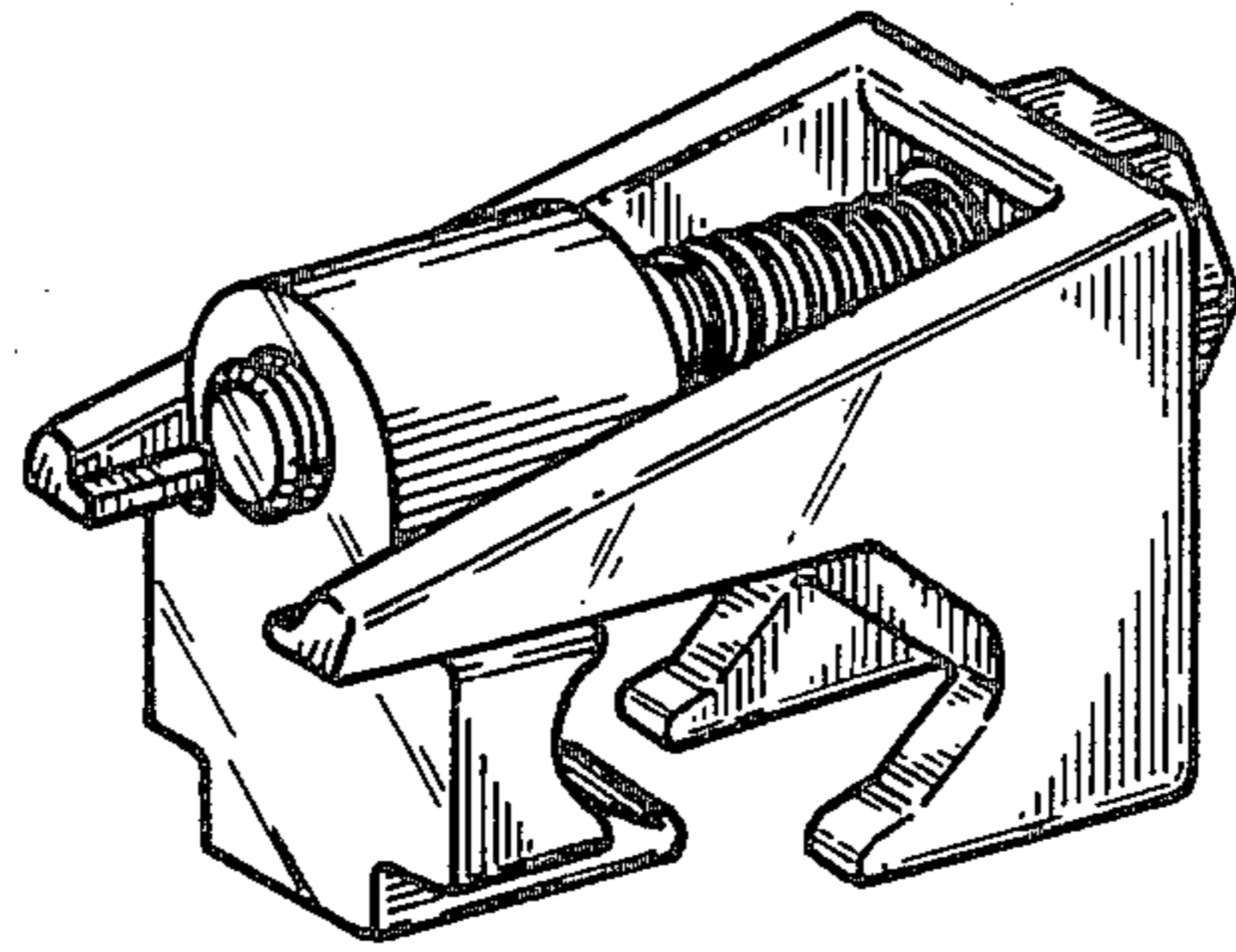
[57] **CLAIM**

The ornamental design for an electrical clamp connector, substantially as shown and described.

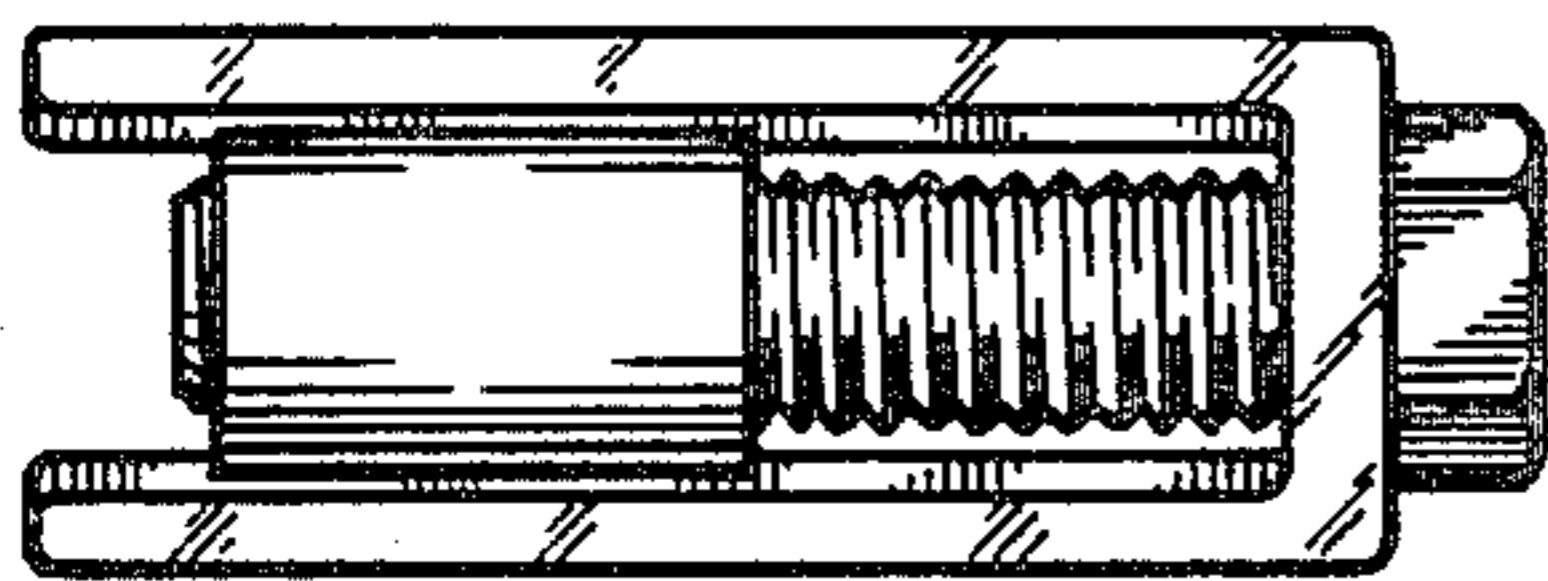
**DESCRIPTION**

FIG. 1 is a perspective view of the electrical clamp connector showing my new design;  
FIG. 2 is a top view thereof;  
FIG. 3 is a front elevational view thereof;  
FIG. 4 is a bottom view thereof;  
FIG. 5 is a side elevational view thereof.

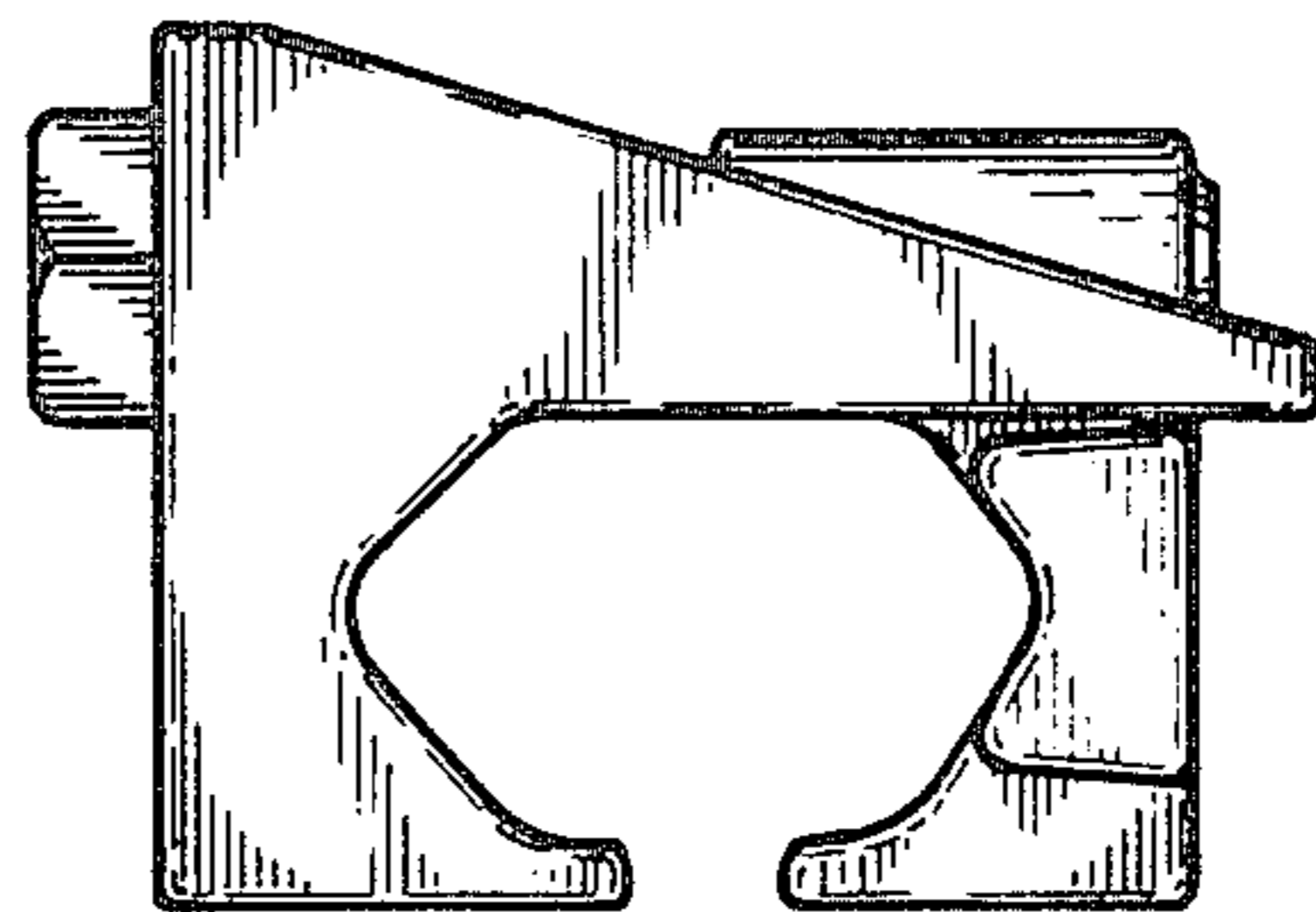




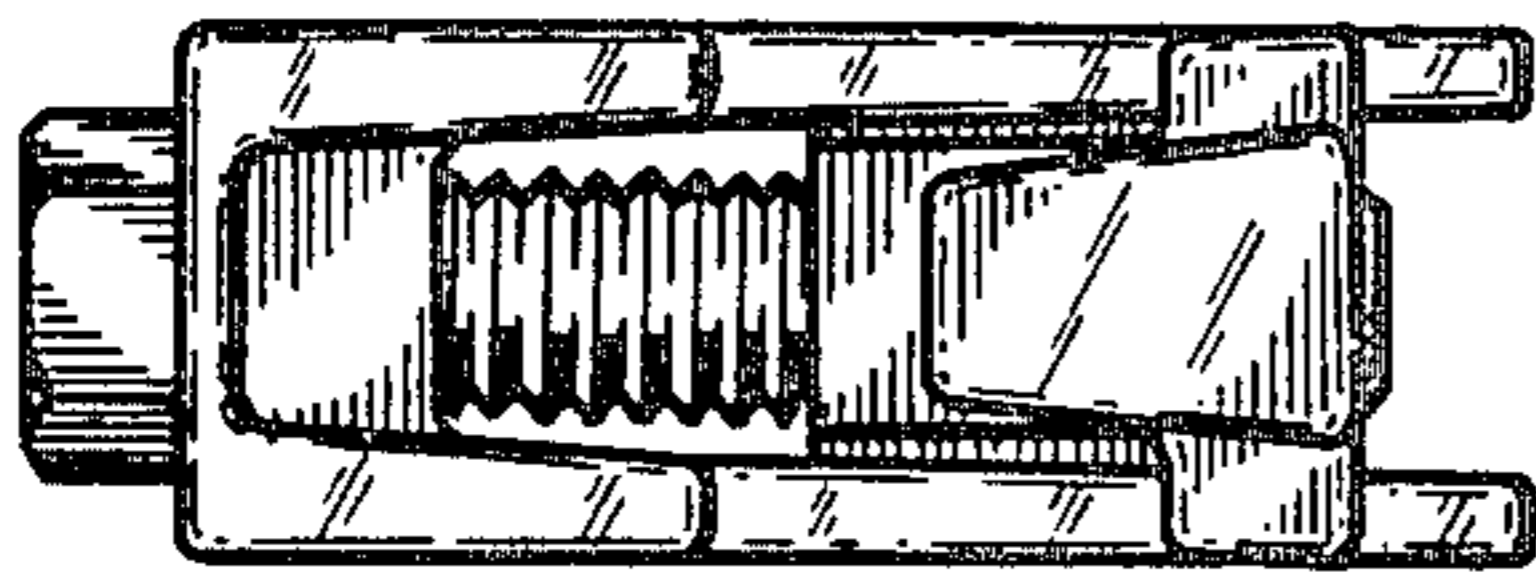
*Fig. 1*



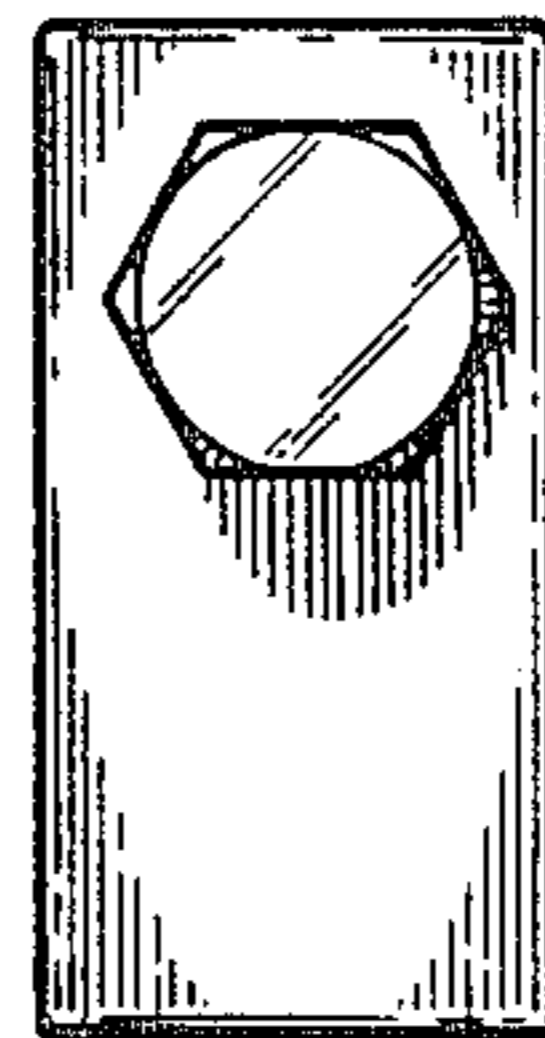
*Fig. 2*



*Fig. 3*



*Fig. 4*



*Fig. 5*