

[54] **MUD GUARD FOR INSIDE OF WHEEL OF OFF-ROAD VEHICLE**

[76] **Inventor: Gary B. Hunsaker, 11015 Cozycroft, Chatsworth, Calif. 91311**

[**] **Term: 14 Years**

[21] **Appl. No.: 400,368**

[22] **Filed: Jul. 21, 1982**

[52] **U.S. Cl. D12/184**

[58] **Field of Search D12/184, 114, 160; 280/152 R, 153 R, 157, 159, 160; 301/125, 37 R**

[56] **References Cited**

U.S. PATENT DOCUMENTS

2,352,464	6/1944	Aerni	280/160
2,528,590	11/1950	Garlow	D12/155
2,844,047	7/1958	Schaefer	D12/114

OTHER PUBLICATIONS

J. C. Whitney Catalog No. 423B, p. 281, Heavy Duty

Replacement Front Hub for ATC 90 & 110, center right side of page; and p. 282, Axle Extender for Honda ATC 110 & 185s, center of page.

Primary Examiner—James M. Gandy
Attorney, Agent, or Firm—Allan M. Shapiro

[57] **CLAIM**

The ornamental design for a mud guard for inside of wheel of off-road vehicle, substantially as shown.

DESCRIPTION

FIG. 1 is an inner end perspective view of a mud guard for inside of wheel of off-road vehicle, showing my new design;
FIG. 2 is an outer end perspective view thereof;
FIG. 3 is an enlarged side elevational view thereof;
FIG. 4 is an enlarged elevational view of the inner end thereof; and
FIG. 5 is an enlarged elevational view of the outer end thereof.

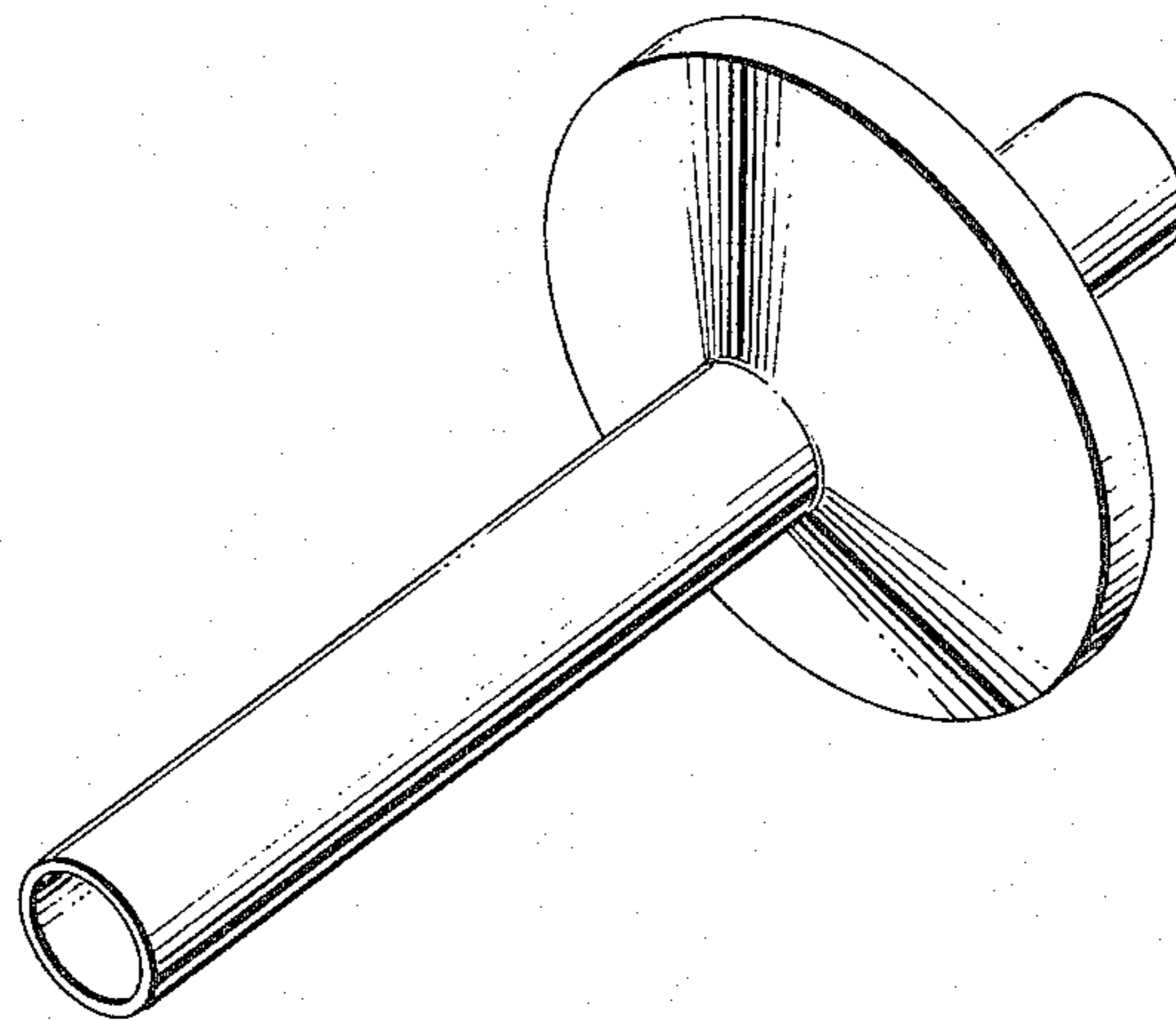


FIG. 1

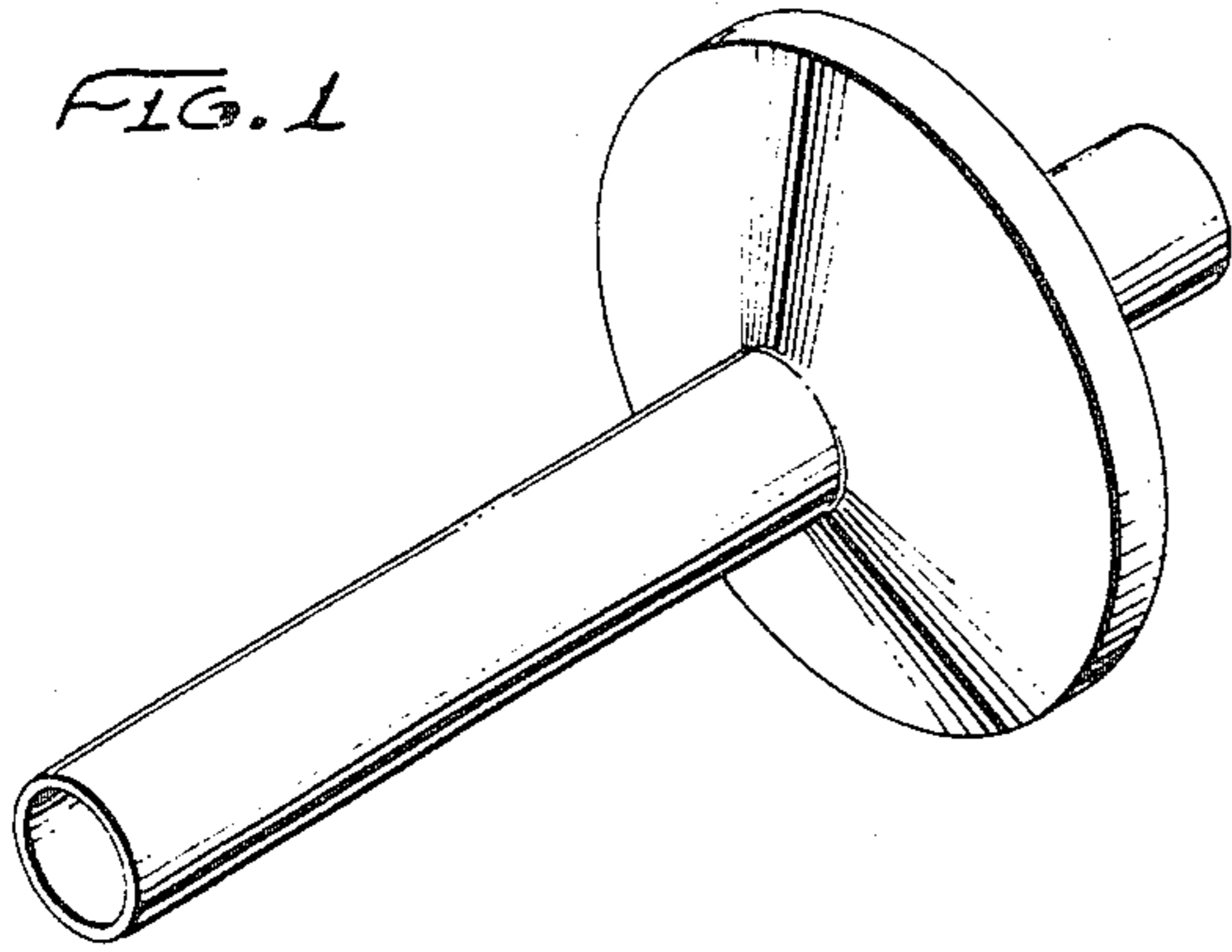


FIG. 2

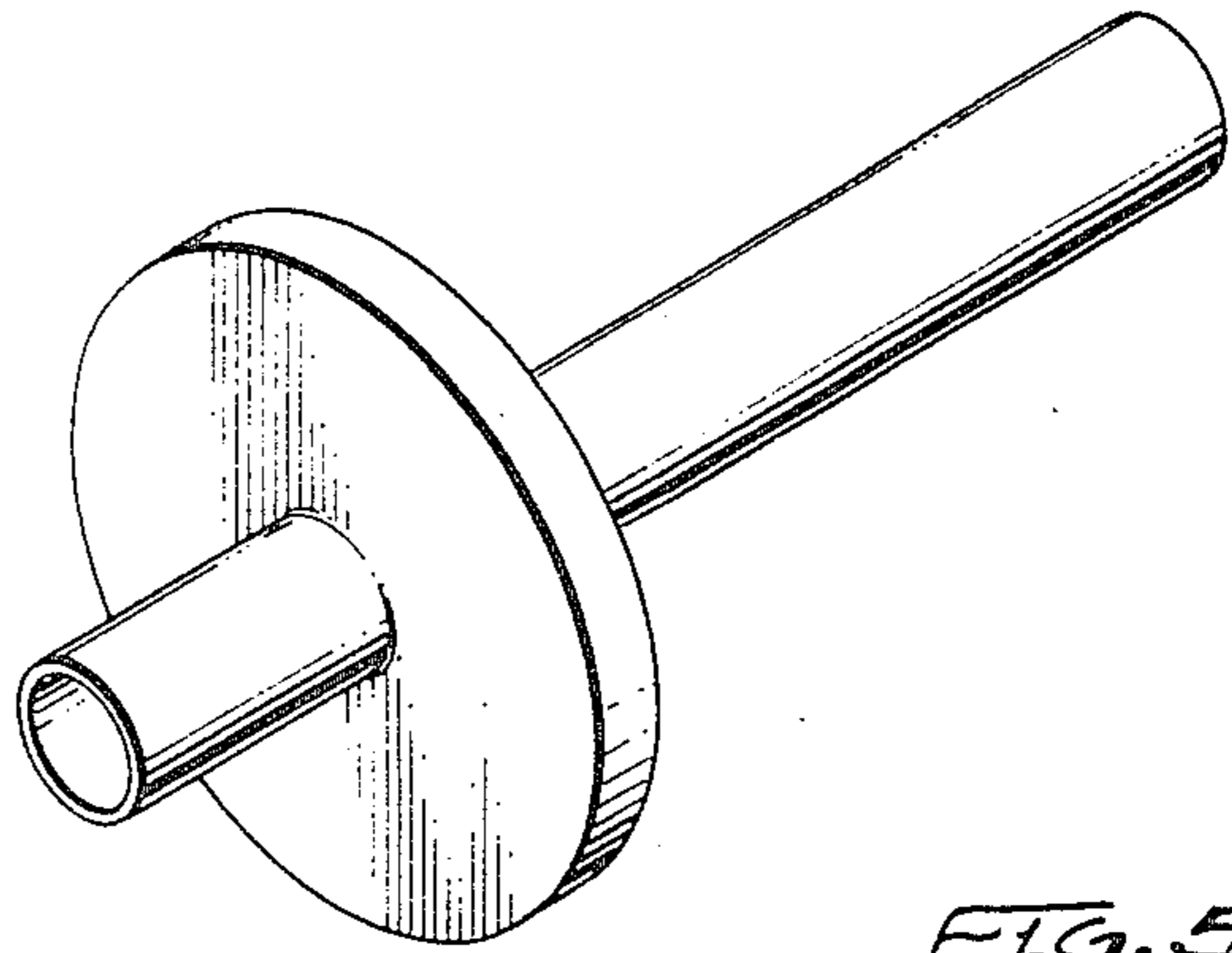


FIG. 4

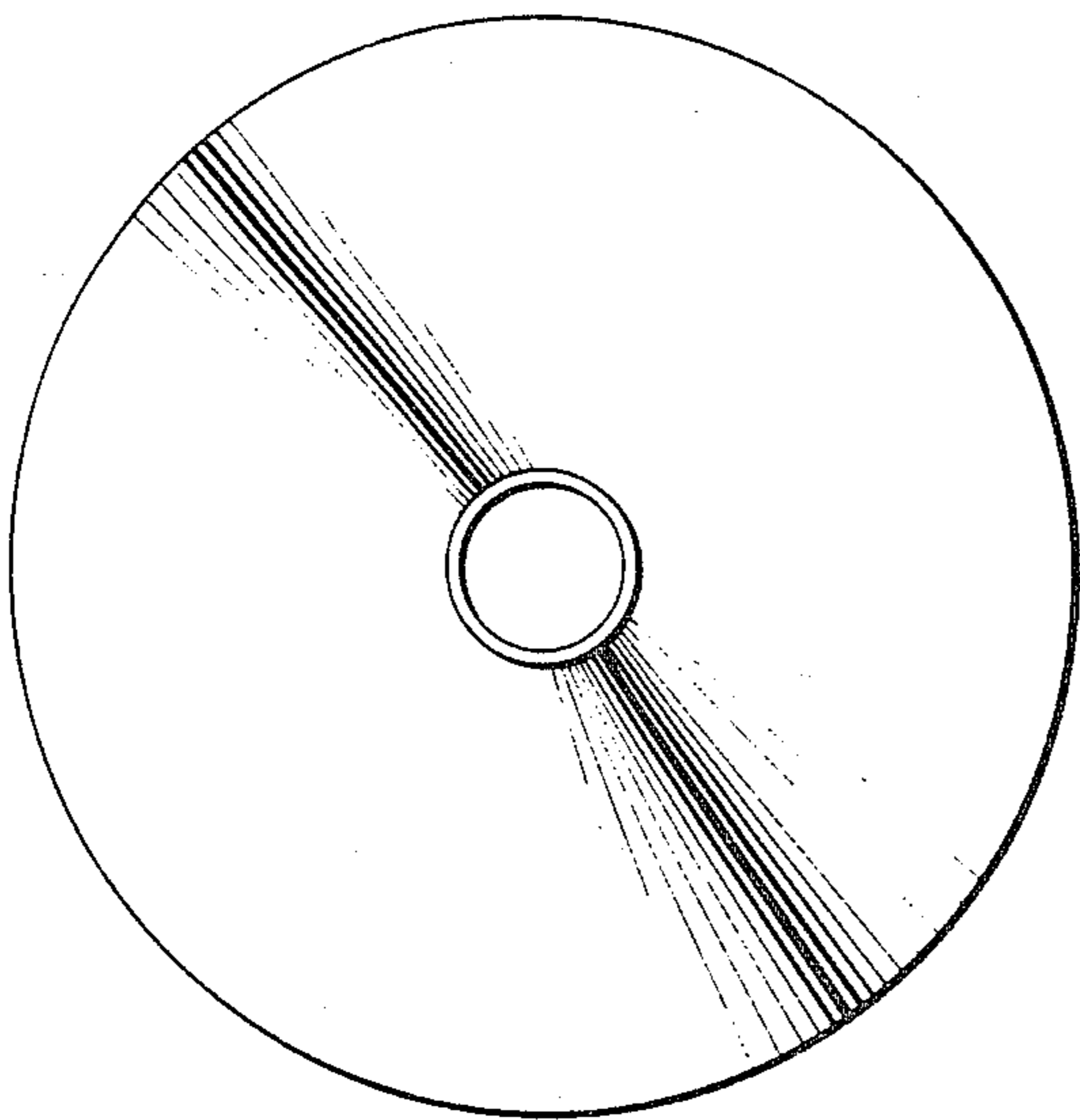


FIG. 5

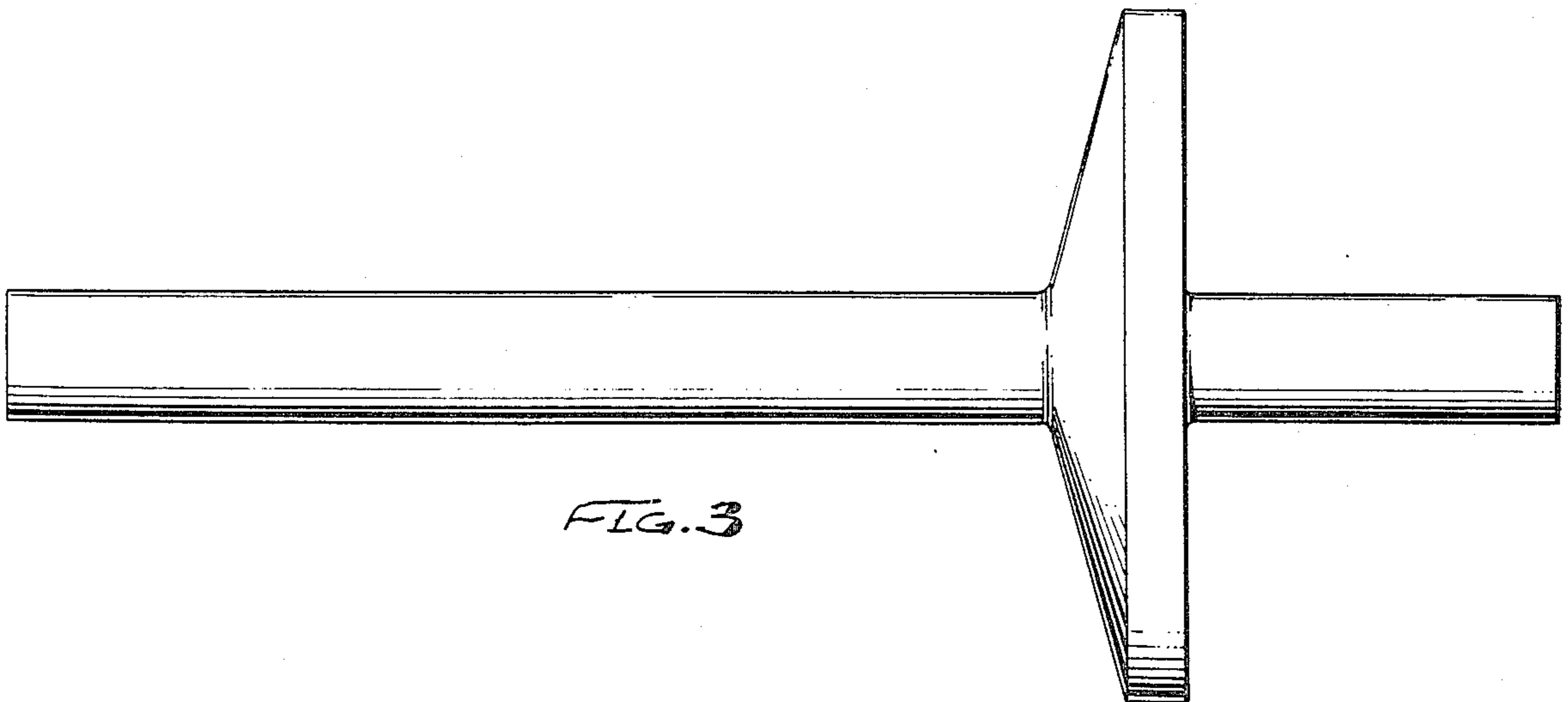


FIG. 3