

[54] PENDANT

[76] Inventor: Tibor Arvai, 31, Avenue Princesse
Grace, Monte Carlo, Monaco

[**] Term: 14 Years

[21] Appl. No.: 491,211

[22] Filed: May 3, 1983

[30] Foreign Application Priority Data

Nov. 4, 1982 [CH] Switzerland DM001959

[52] U.S. Cl. D11/79; D11/2;
D11/6; D11/75; D21/240

[58] Field of Search D11/1, 2, 6, 40, 43,
D11/47, 61, 75, 86, 116, 79; D21/240; 63/1
R-2, 18-21, 23

[56] References Cited

U.S. PATENT DOCUMENTS

D. 131,474	3/1942	Turnbull	D11/61 X
D. 149,208	4/1948	Philippe	D11/7 X
D. 158,562	5/1950	Di Mezza	D11/61
D. 170,984	12/1953	Katz	D11/7 X
D. 265,577	7/1982	Harmon	D21/240

Primary Examiner—Louis S. Zarfes

[57] CLAIM

The ornamental design for pendant, as shown and described.

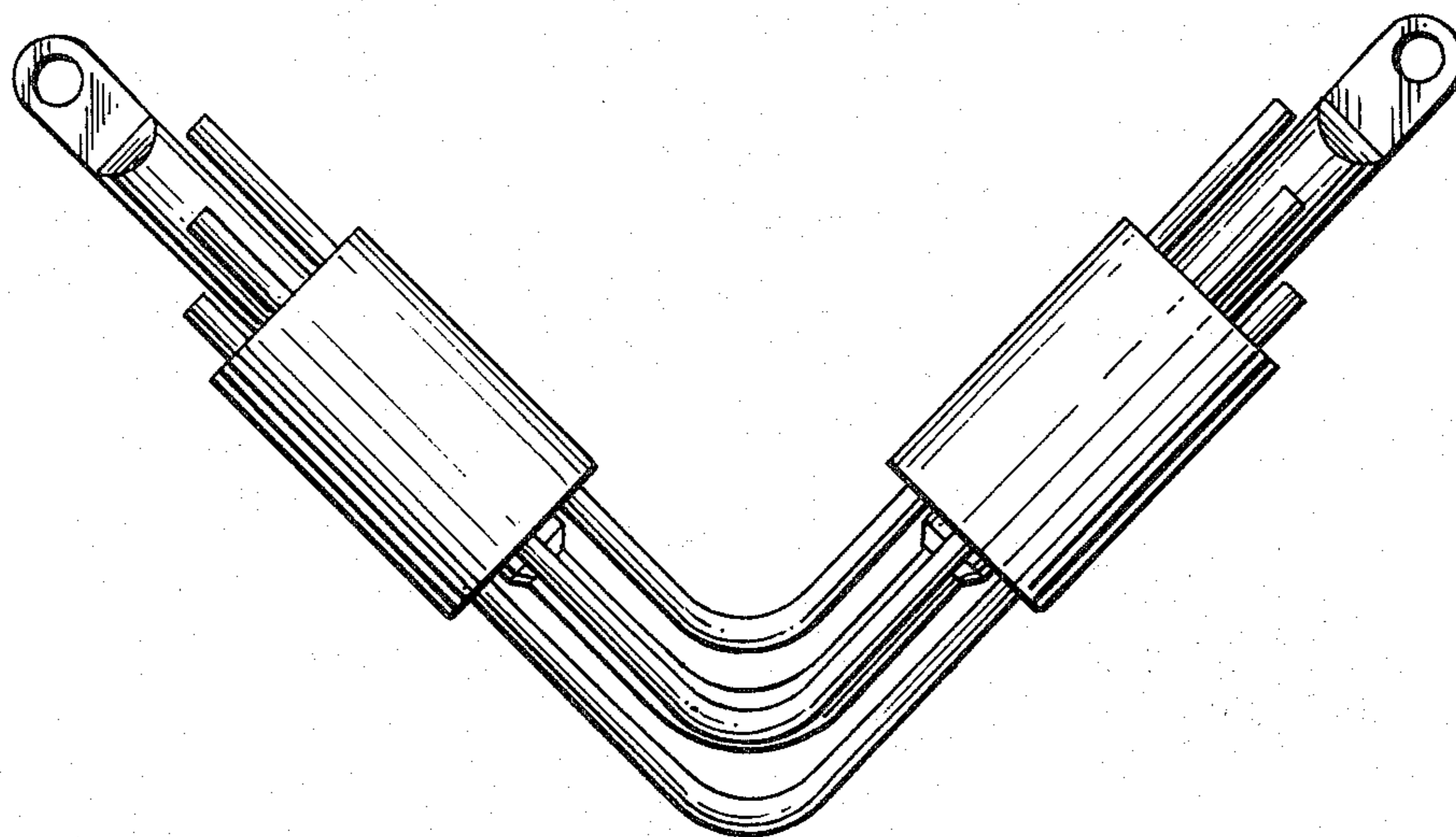
DESCRIPTION

FIG. 1 is a top plan view of pendant showing my new design;

FIG. 2 is a front elevational view thereof, the rear being the mirror image;

FIG. 3 is a right end elevational view thereof, the left end being the mirror image; and,

FIG. 4 is a bottom plan view thereof.



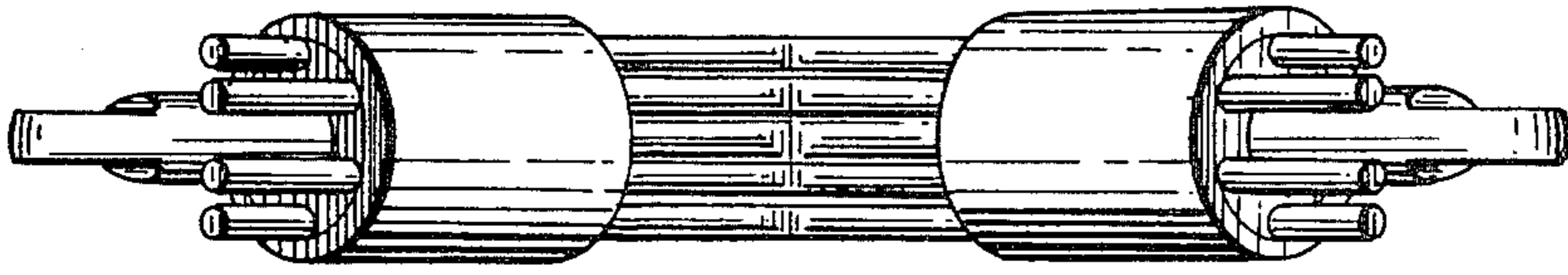


FIG. 1

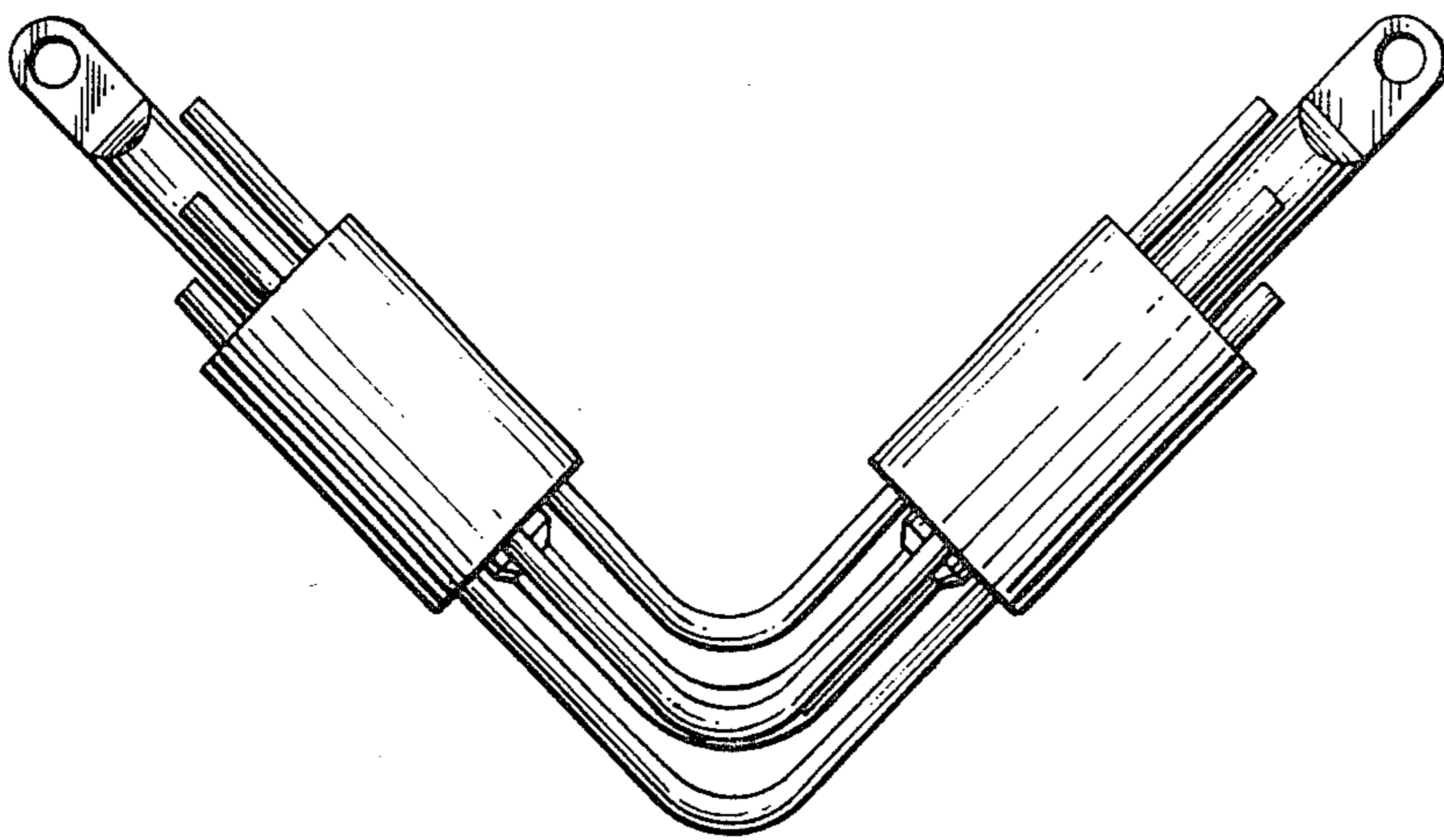


FIG. 2

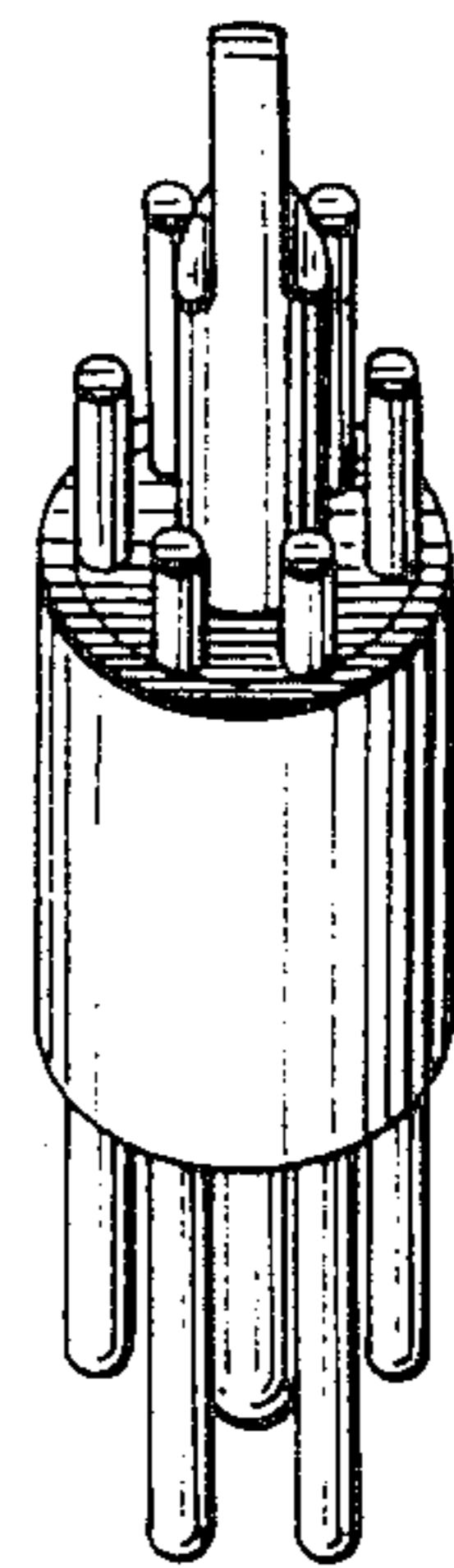


FIG. 3

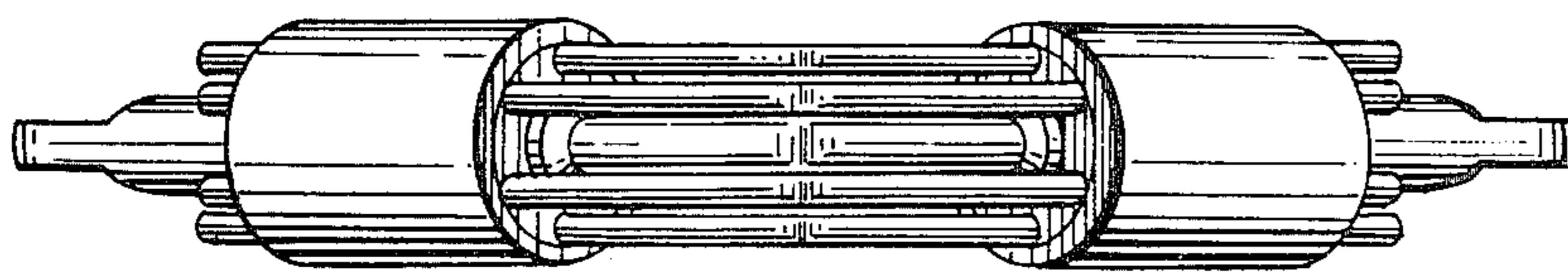


FIG. 4